

[54] SHELF BIN RETAINING WALL

[75] Inventor: Byron R. Miller, Springboro, Ohio

[73] Assignee: The Mead Corporation, Dayton, Ohio

[**] Term: 14 Years

[21] Appl. No.: 917

[22] Filed: Jan. 5, 1987

[52] U.S. Cl. D6/491

[58] Field of Search D6/491, 571, 449; D34/40; 206/509, 561

2,982,423	2/1961	Handler	D6/571 X
3,144,155	8/1964	Wenting et al.	D34/40 X
4,183,438	1/1980	Huczek	211/49 D
4,209,093	6/1980	Söderland	206/561 X
4,488,653	12/1984	Belokin	211/184
4,643,306	2/1987	Ryan	206/509 X

Primary Examiner—Bruce W. Dunkins
Assistant Examiner—Jeffrey Asch
Attorney, Agent, or Firm—Biebel, French & Nauman

[57] CLAIM

The ornamental design for a shelf bin retaining wall, as shown.

DESCRIPTION

FIG. 1 is a perspective view of a shelf bin retaining wall showing my new design;
FIG. 2 is a top plan view thereof;
FIG. 3 is a front elevational view thereof;
FIG. 4 is a rear elevational view thereof;
FIG. 5 is a bottom plan view thereof;
FIG. 6 is a left side elevational view, the right side being a mirror image thereof; and
FIG. 7 is a perspective view thereof, the showing in broken lines being for environmental purposes only.

[56] References Cited

U.S. PATENT DOCUMENTS

D. 285,152	9/1986	Smith	D6/491 X
1,030,317	6/1912	Middaugh .	
1,322,791	11/1919	Hormes .	
1,809,523	6/1931	McLean .	
1,961,486	6/1934	Hall	312/140
2,123,264	7/1938	Walter	312/140.3
2,490,269	12/1949	Johnson	206/509 X
2,884,139	4/1959	Dunham	211/184

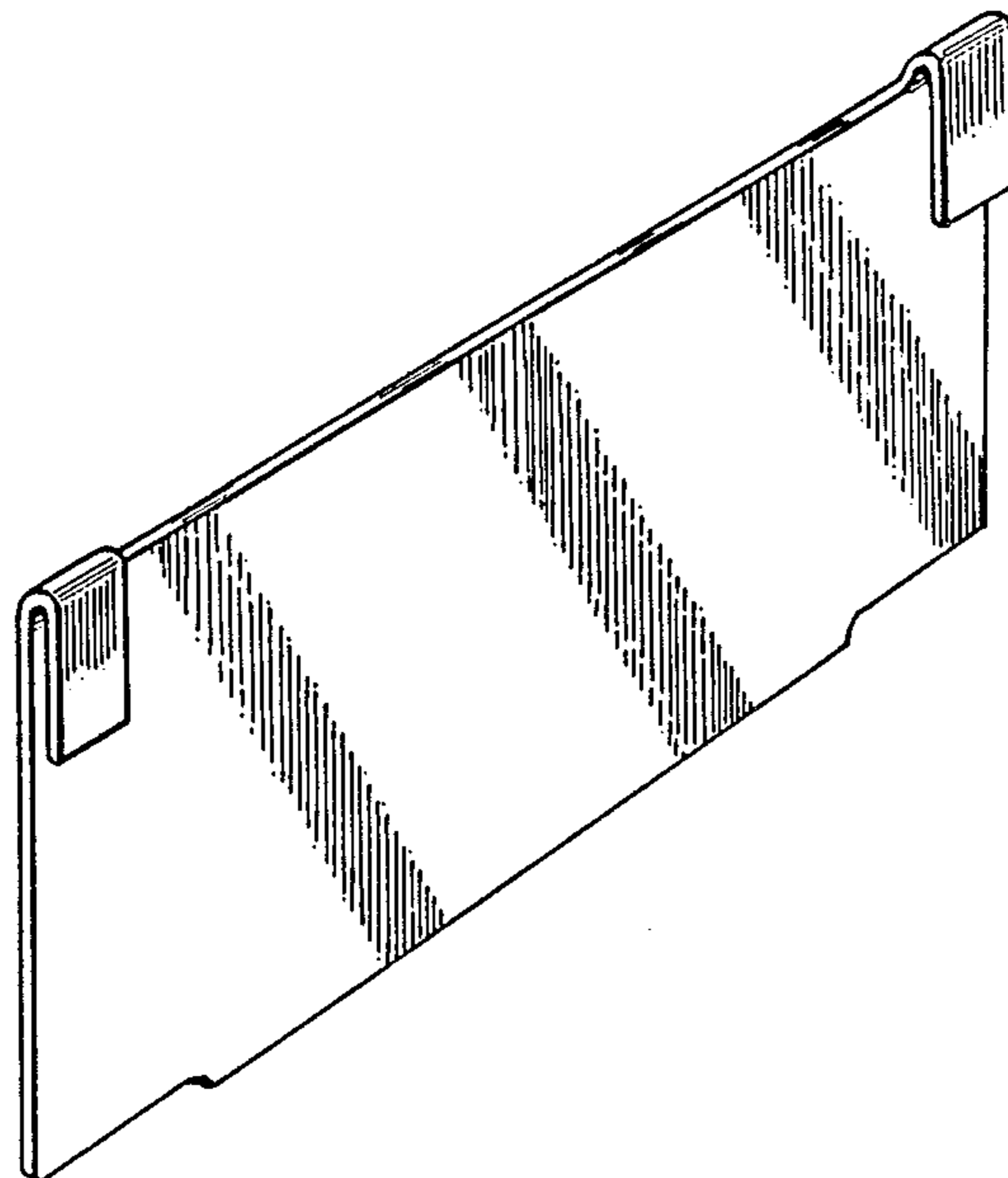


FIG-1

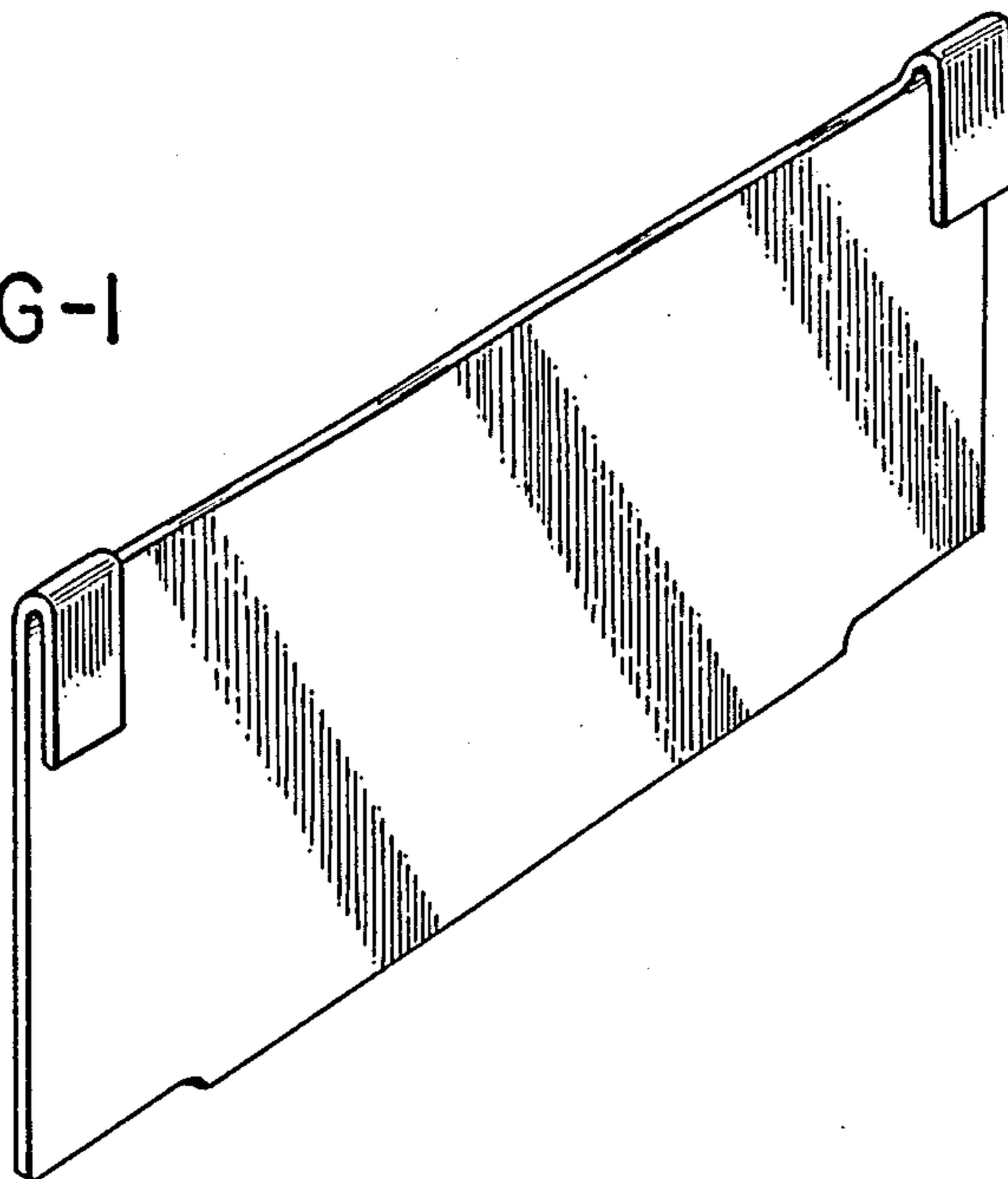


FIG-2

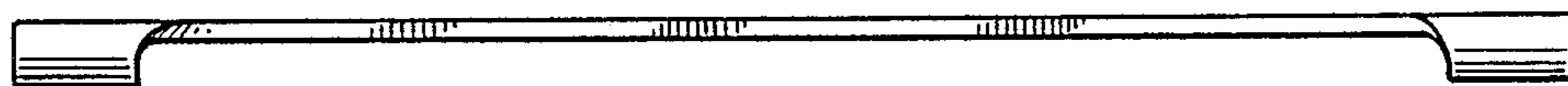


FIG-3

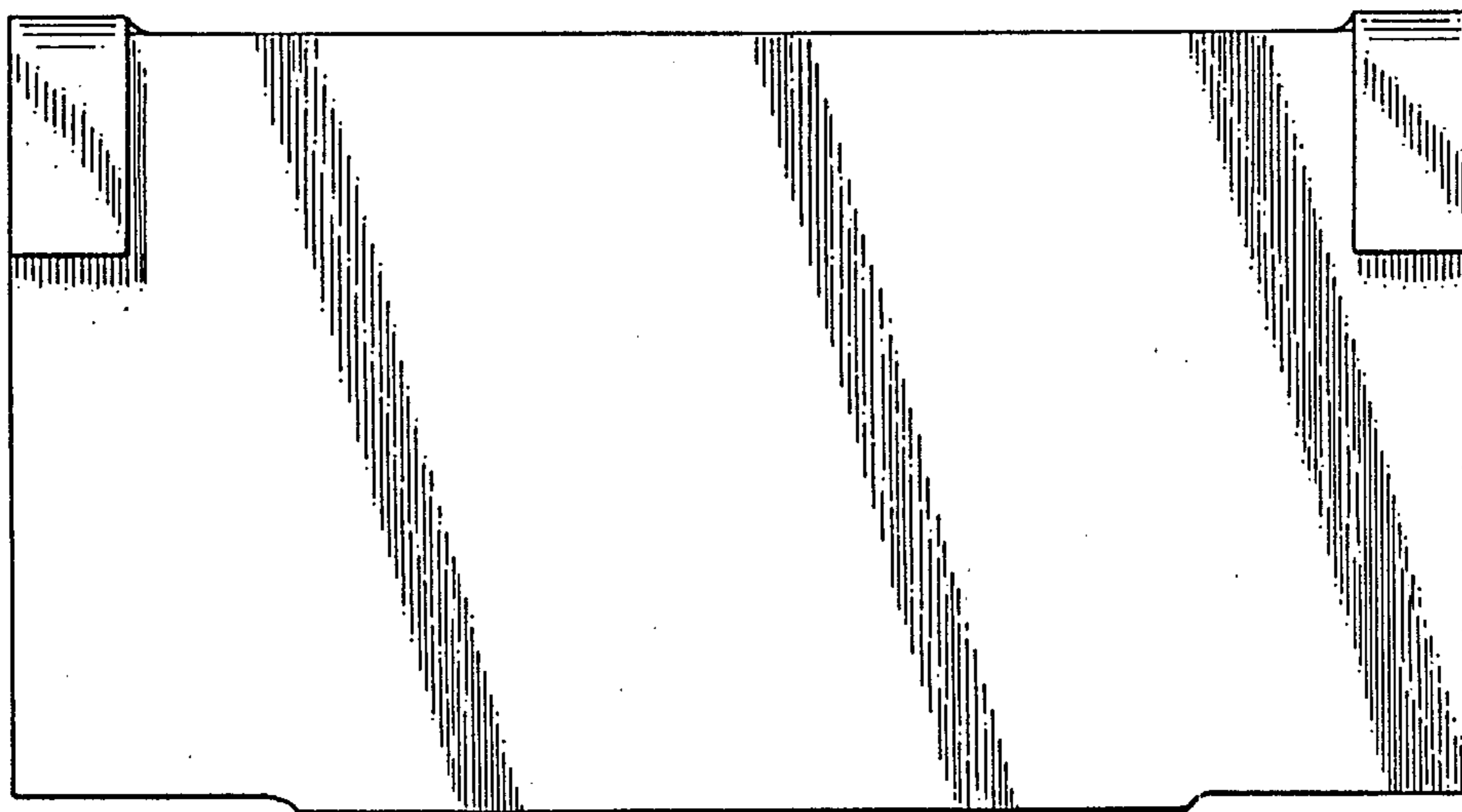


FIG-4

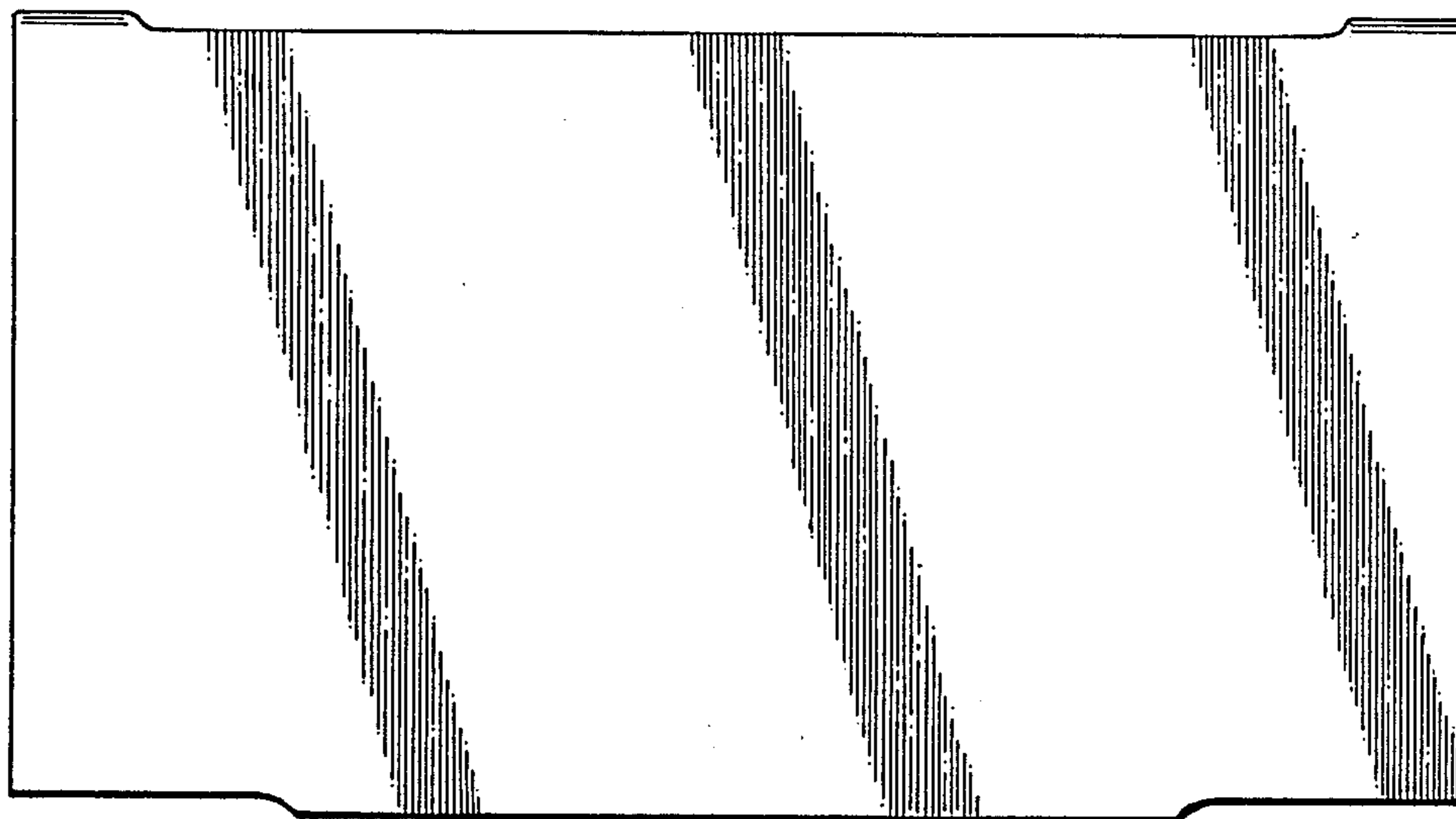


FIG-5



FIG-6



FIG-7

