

[54] **TABLE**  
[76] **Inventor: Leo Martin, 260 NW. 25th St., Miami, Fla. 33127.**  
[\*\*] **Term: 14 Years**  
[21] **Appl. No.: 174,334**  
[22] **Filed: Jun. 27, 1988**

2,829,934 4/1958 Schulze ..... 108/157  
3,910,206 10/1975 Jay ..... D6/484 X

**OTHER PUBLICATIONS**

Design Institute of America, p. 23, 1983, table in center.  
Design Institute of America, p. 24, 1983.

*Primary Examiner*—Bruce W. Dunkins  
*Assistant Examiner*—Janice Seeger

[57] **CLAIM**

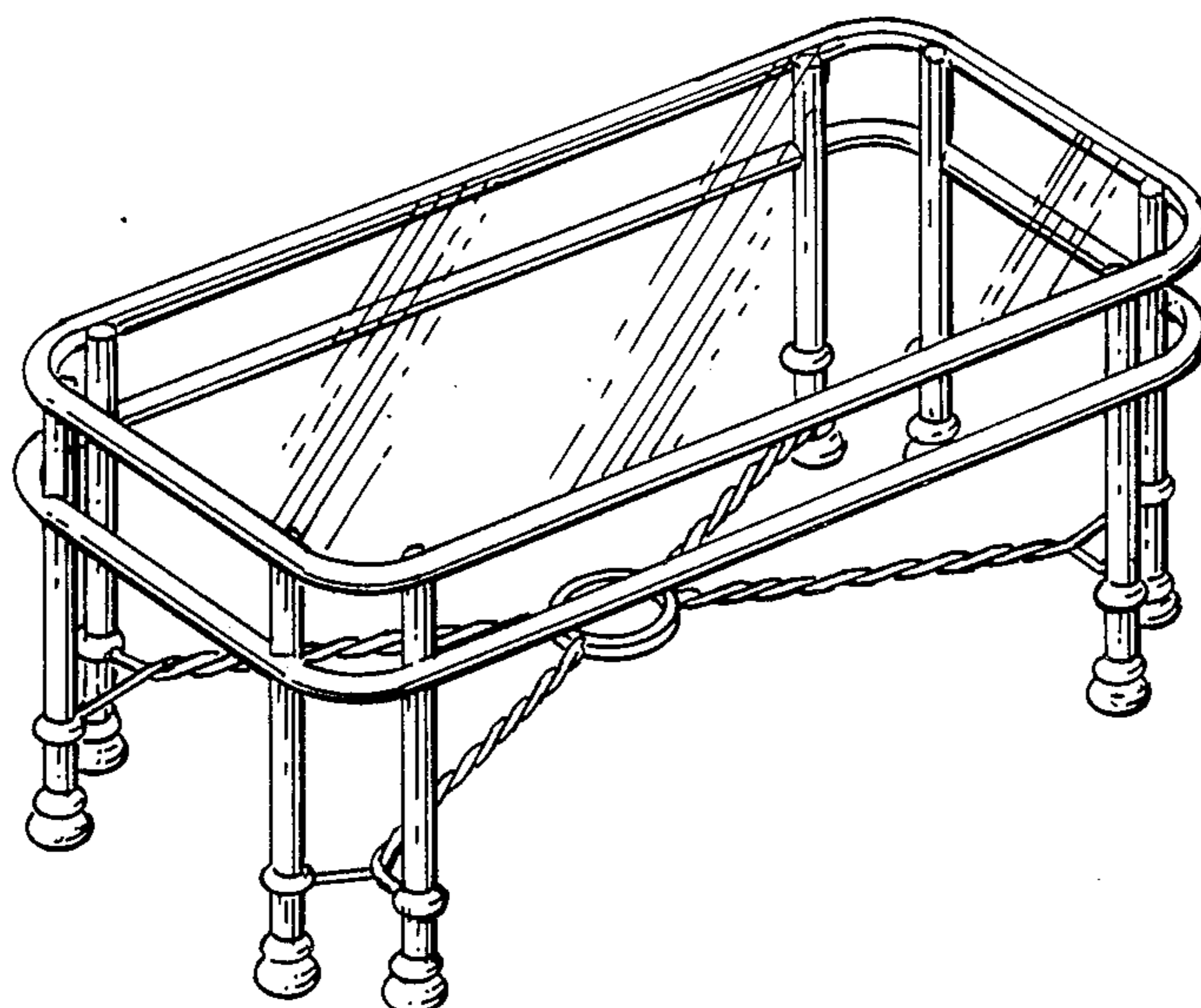
The ornamental design for a table, as shown and described.

**DESCRIPTION**

FIG. 1 is a perspective view of a table on a reduced scale, showing my new design;  
FIG. 2 is a top plan view thereof;  
FIG. 3 is a side elevational view, the opposite side being a mirror image thereof;  
FIG. 4 is an end elevational view, the opposite end being a mirror image thereof; and  
FIG. 5 is a bottom plan view thereof.

**Related U.S. Application Data**  
[63] Continuation of Ser. No. 119,408, Nov. 12, 1987, abandoned.  
[52] **U.S. Cl. .... D6/487**  
[58] **Field of Search .... D6/396, 449, 470, 472, D6/477, 478, 480, 482, 483, 484, 474; 108/111, 150, 153, 157**

[56] **References Cited**  
**U.S. PATENT DOCUMENTS**  
D. 294,318 2/1988 Zapf ..... D6/484  
2,655,387 10/1953 Cramer ..... 108/157 X



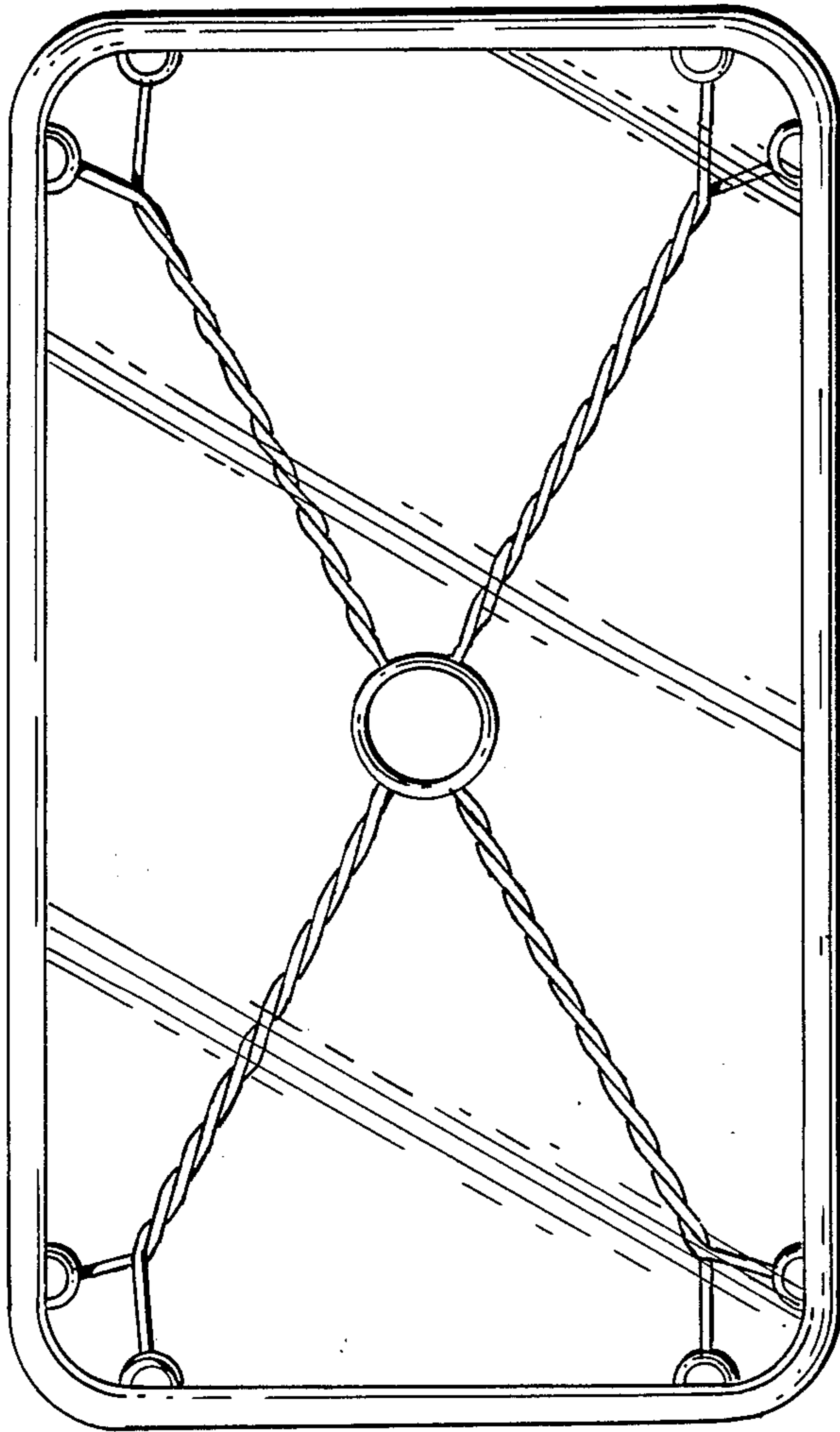


FIG. 2

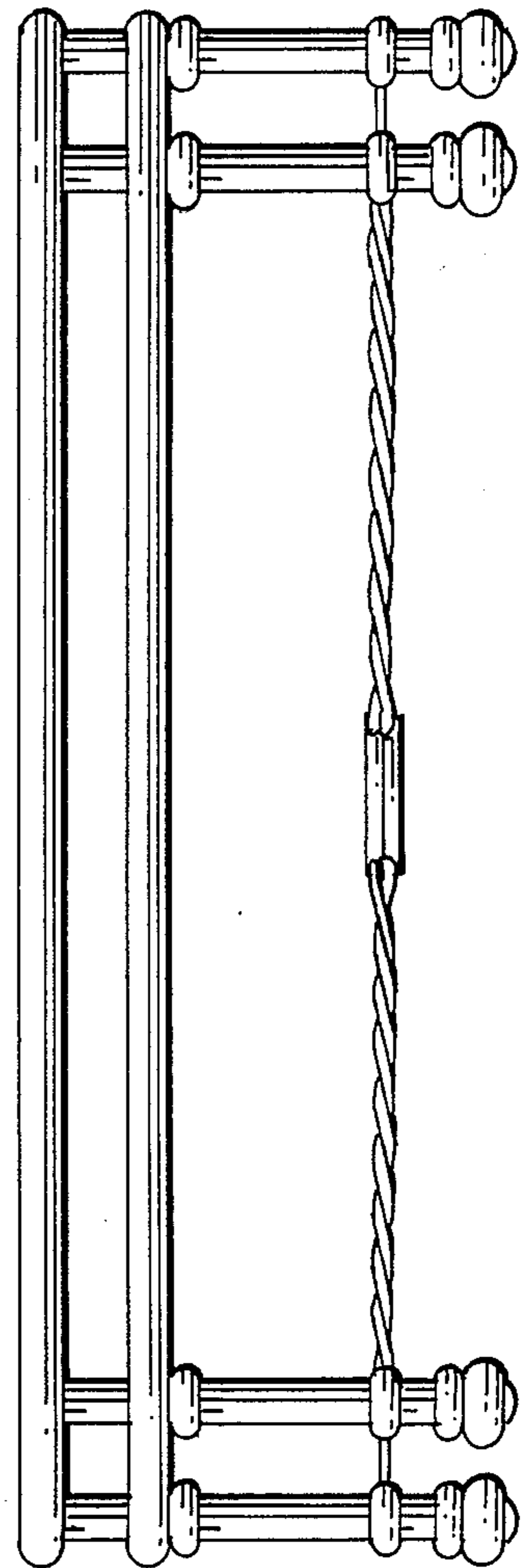


FIG. 3

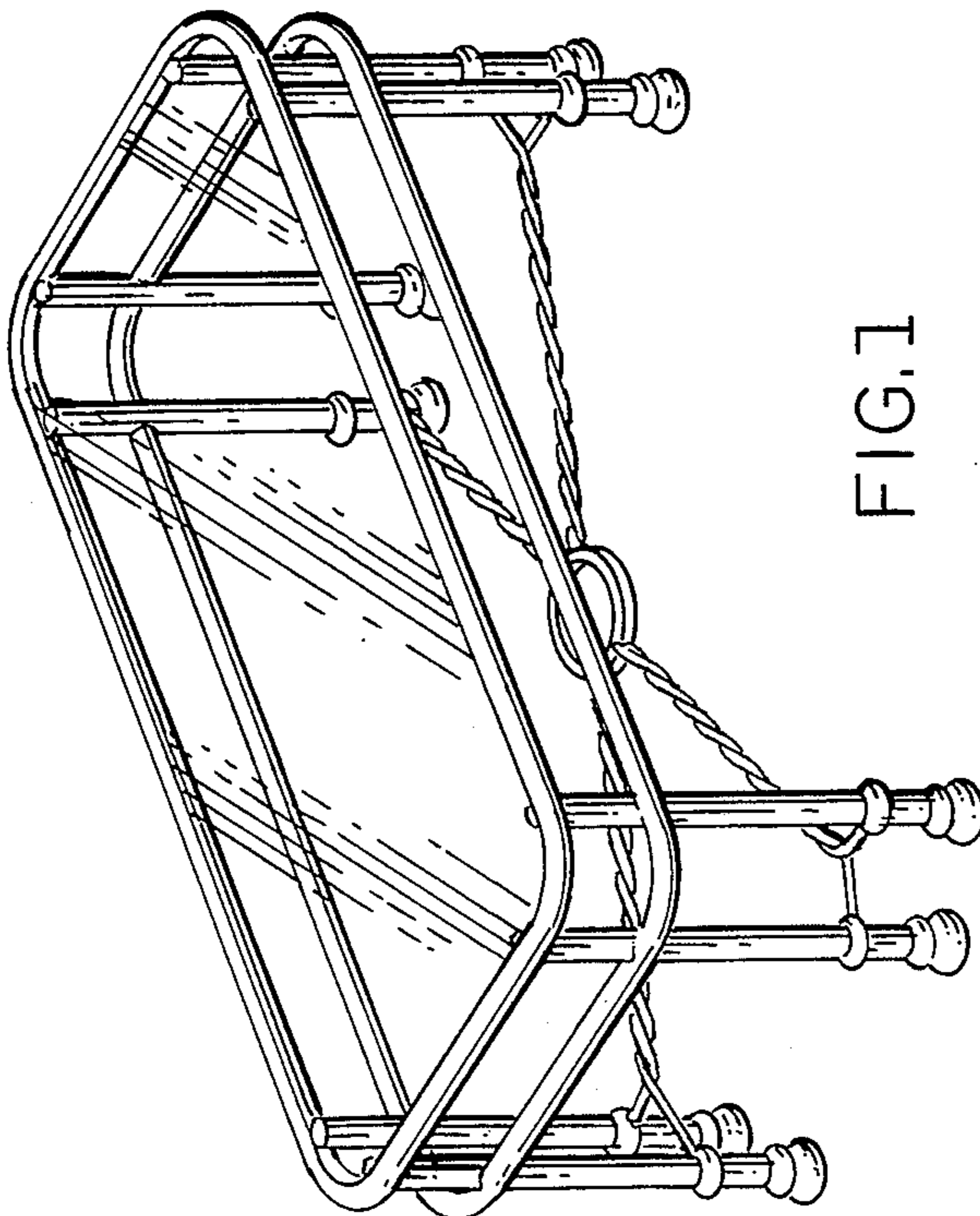


FIG. 1

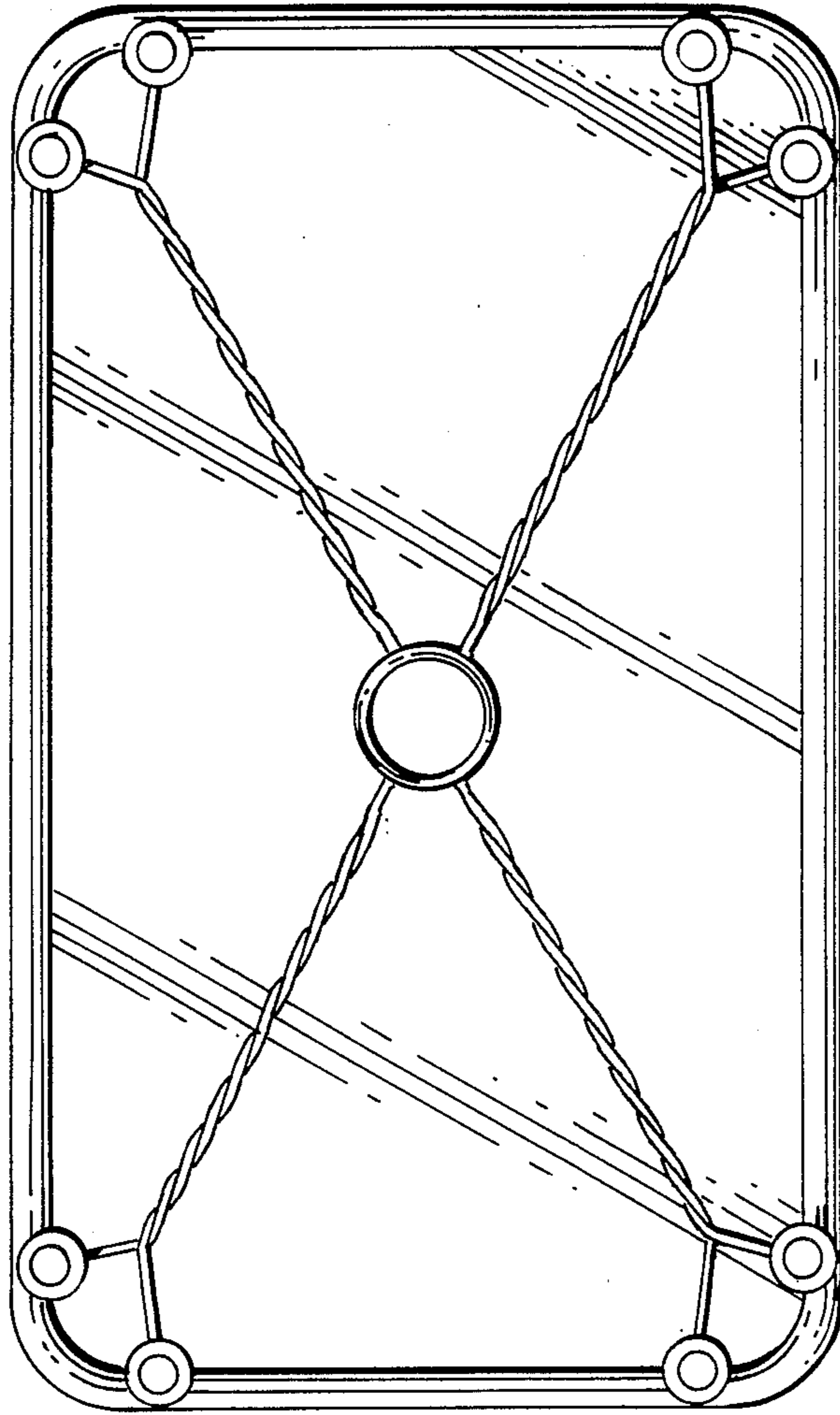


FIG. 5

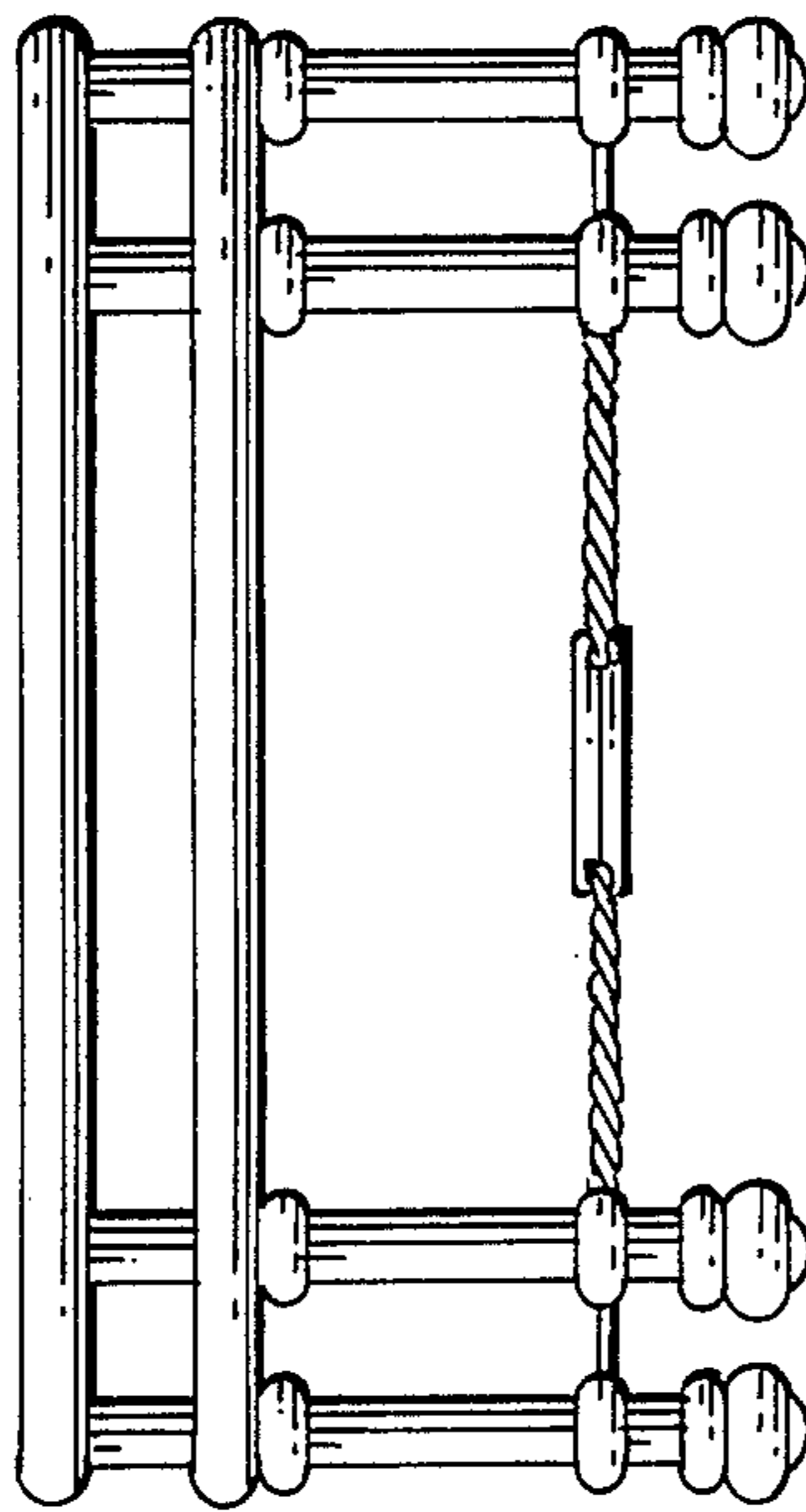


FIG. 4