

[54] **ADJUSTABLE CHAIR**

[76] **Inventor:** Erik F. Holmström, Vasaesplanaden
2 D 84, SF-65120 Vasa, Finland

[**] **Term:** 14 Years

[21] **Appl. No.:** 91,211

[22] **Filed:** Aug. 31, 1987

[52] **U.S. Cl.** D6/367; D6/364;
D6/361

[58] **Field of Search** D6/361, 364, 367, 368

[56] **References Cited**

U.S. PATENT DOCUMENTS

D. 267,987 2/1983 Leffler et al. D6/361
D. 268,149 3/1983 Case D6/361
D. 277,239 1/1985 White D6/364

OTHER PUBLICATIONS

Selig Imperial, Mar. 23, 1973, reclining swivel chair #775, p. 46H.

Ekornes, 1983, chair, bottom left of front cover.

Bloomington, p. 2, chair, bottom left.

Primary Examiner—Bruce W. Dunkins

Assistant Examiner—Ann Hunt

Attorney, Agent, or Firm—Ladas & Parry

[57] **CLAIM**

The ornamental design for adjustable chair, as shown and described.

DESCRIPTION

FIG. 1 is a top perspective view of an adjustable chair showing my new design,

FIG. 2 is a bottom perspective view,

FIG. 3 is a rear end elevational view,

FIG. 4 is a front end elevational view,

FIG. 5 is a top plan view,

FIG. 6 is a bottom plan view thereof; and

FIG. 7 is a side elevational view of the adjustable chair in an adjusted position.

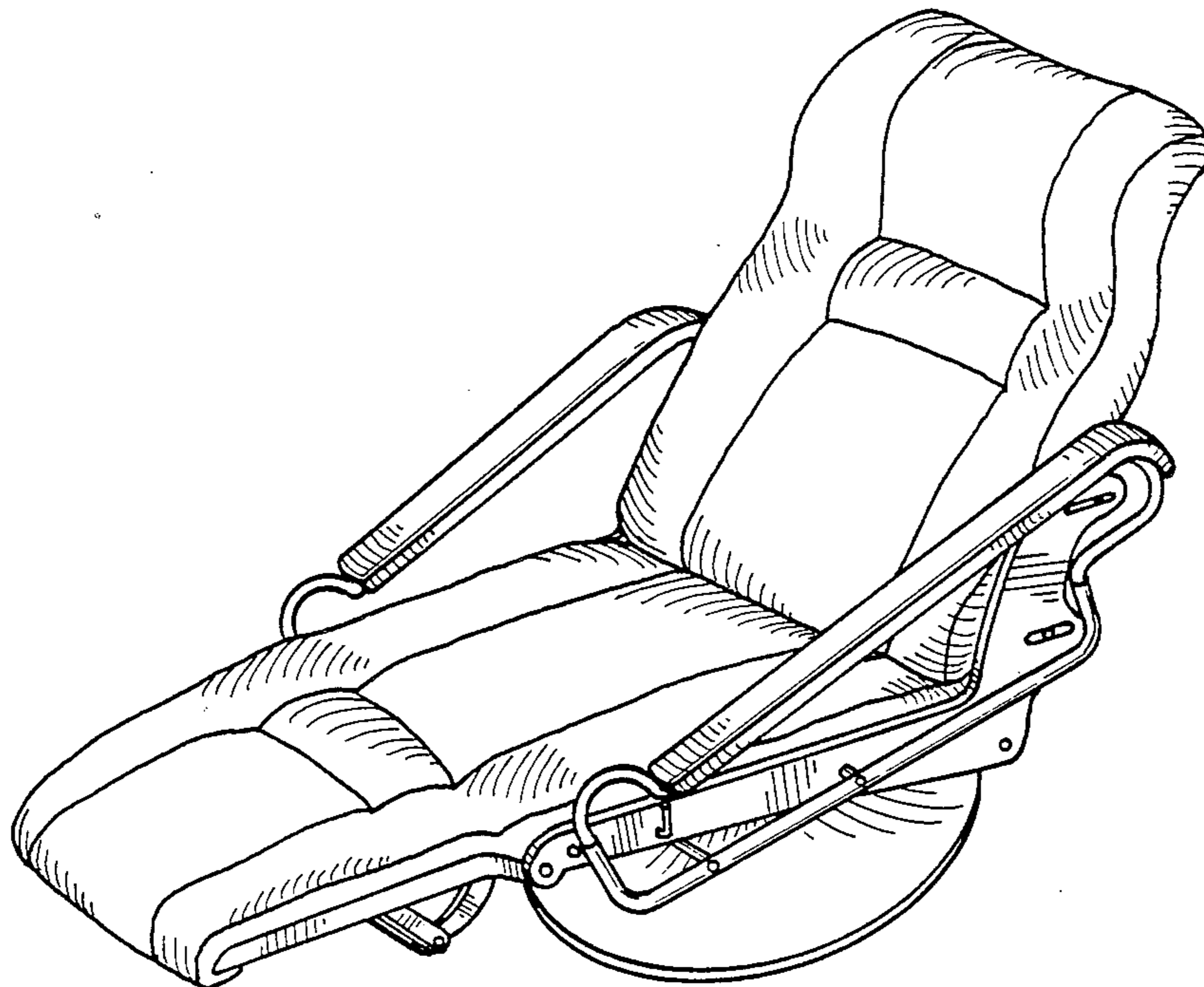


FIG. 1

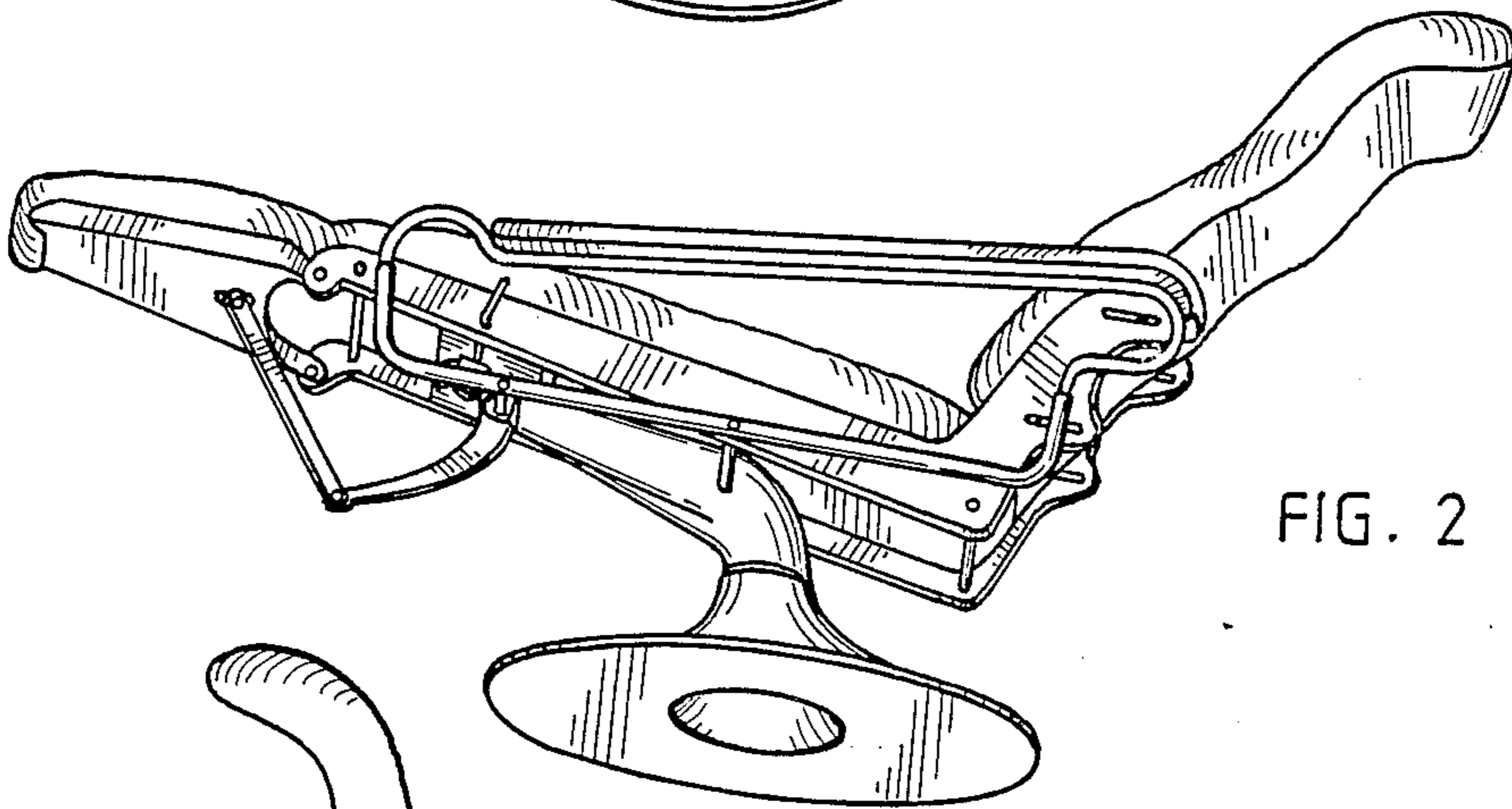
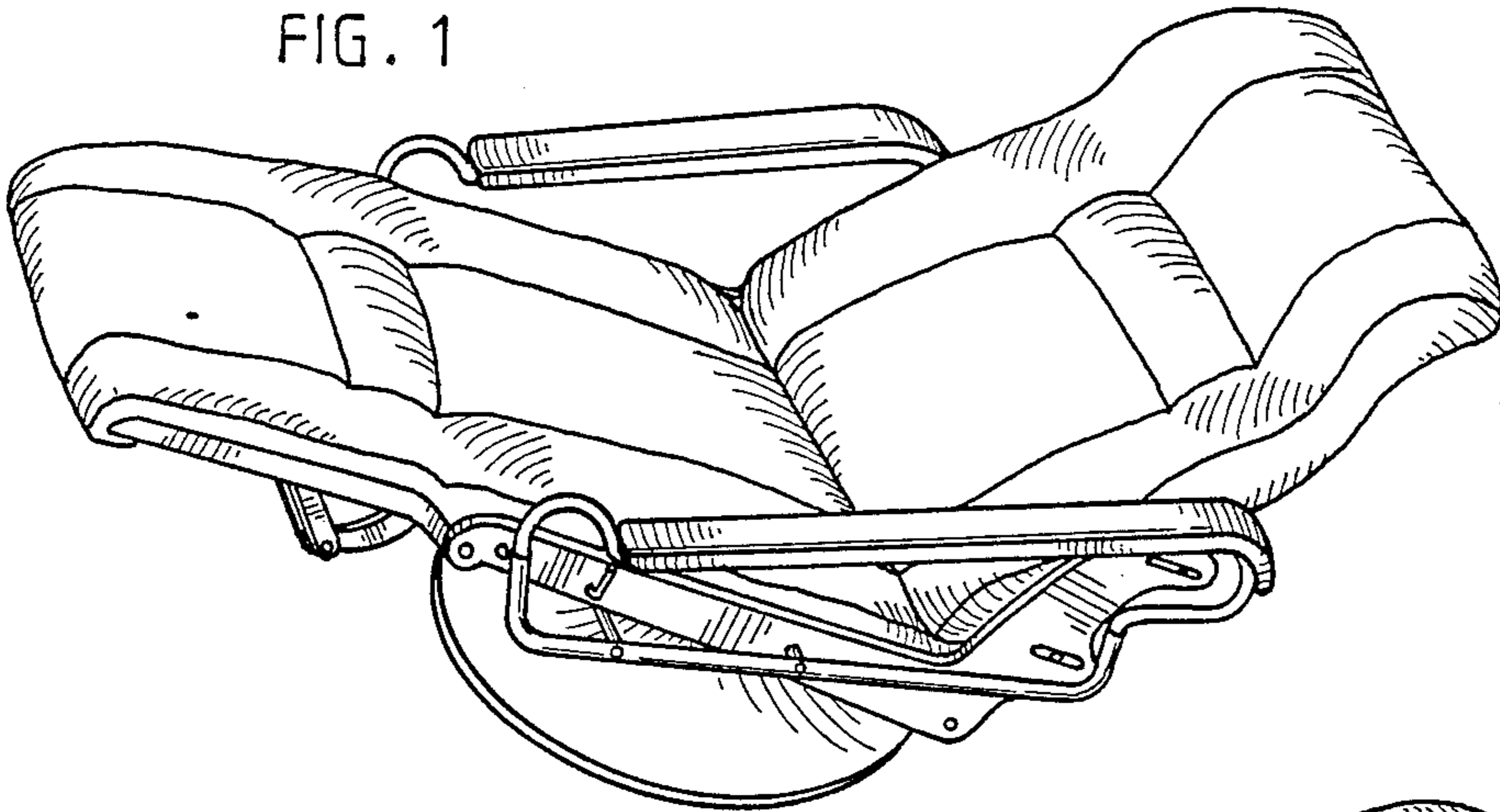


FIG. 2

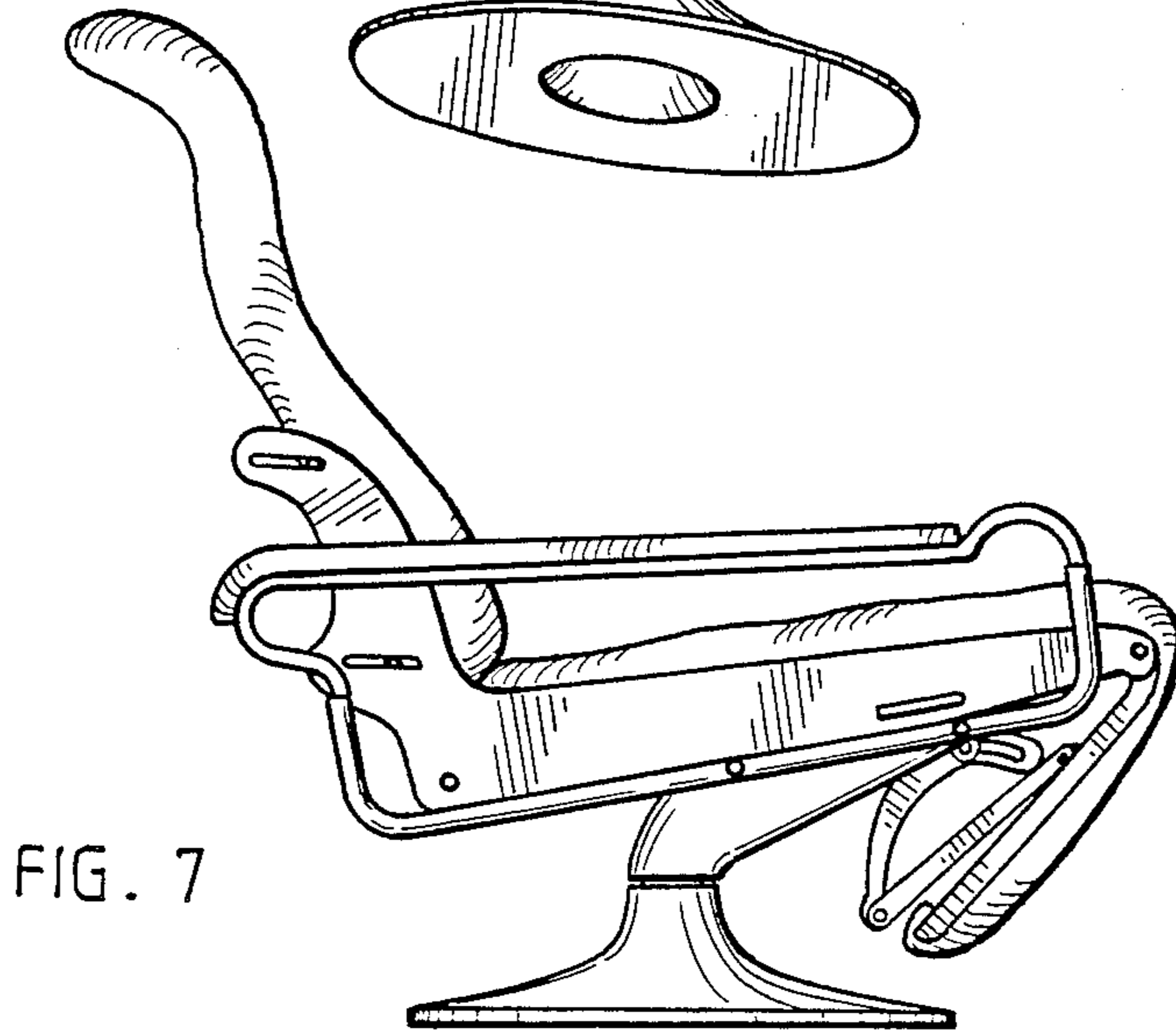


FIG. 7

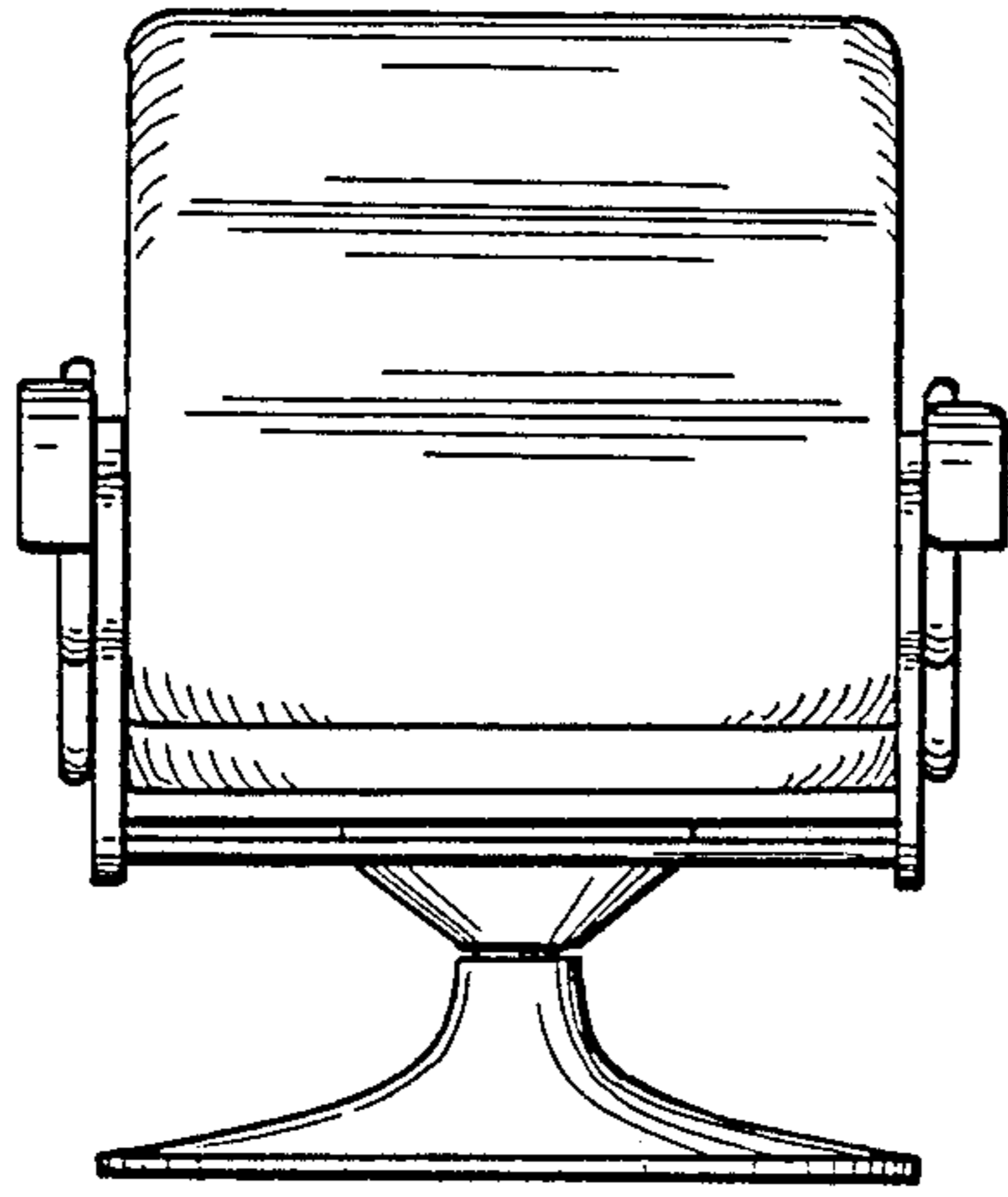


FIG. 3

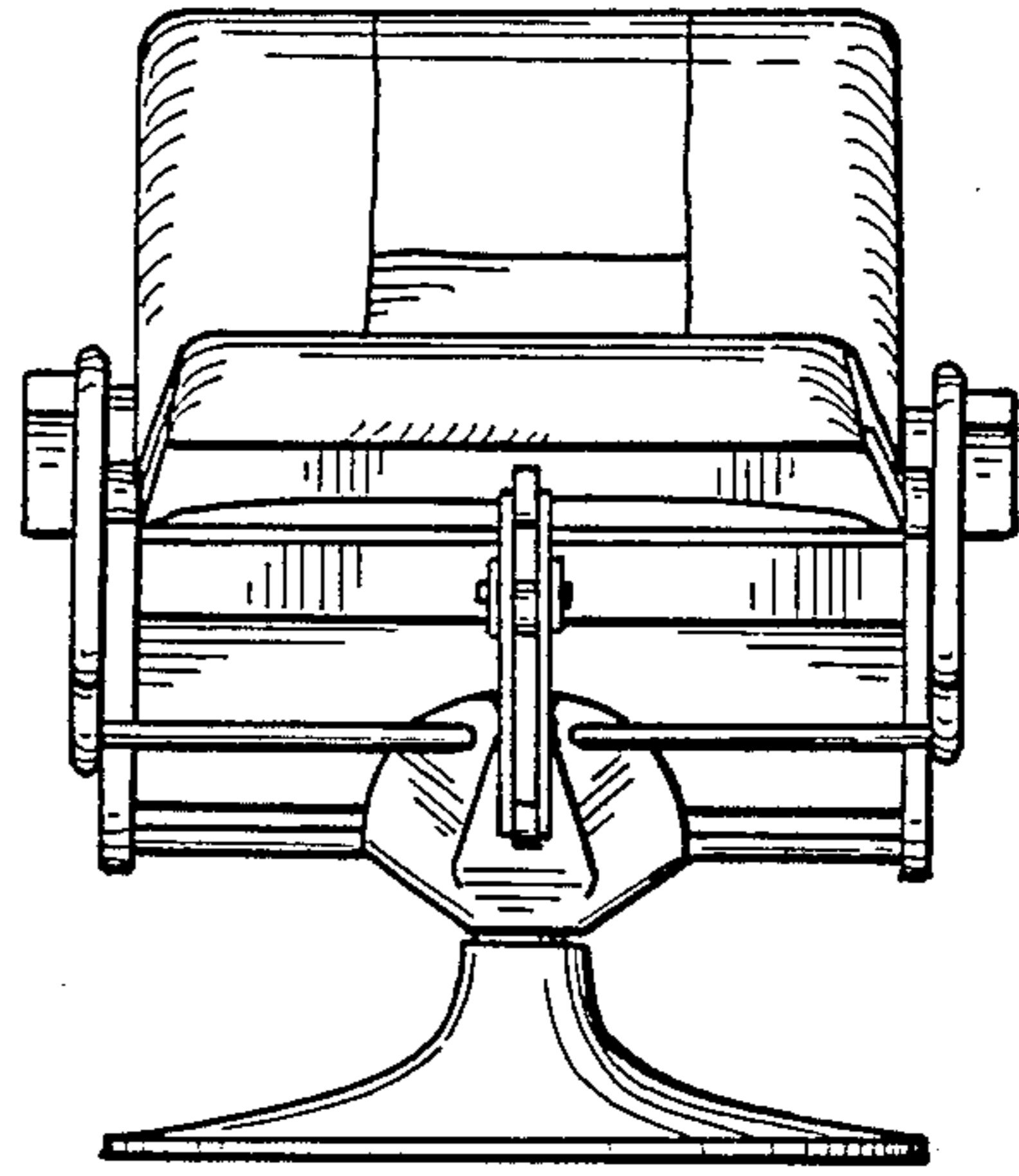


FIG. 4

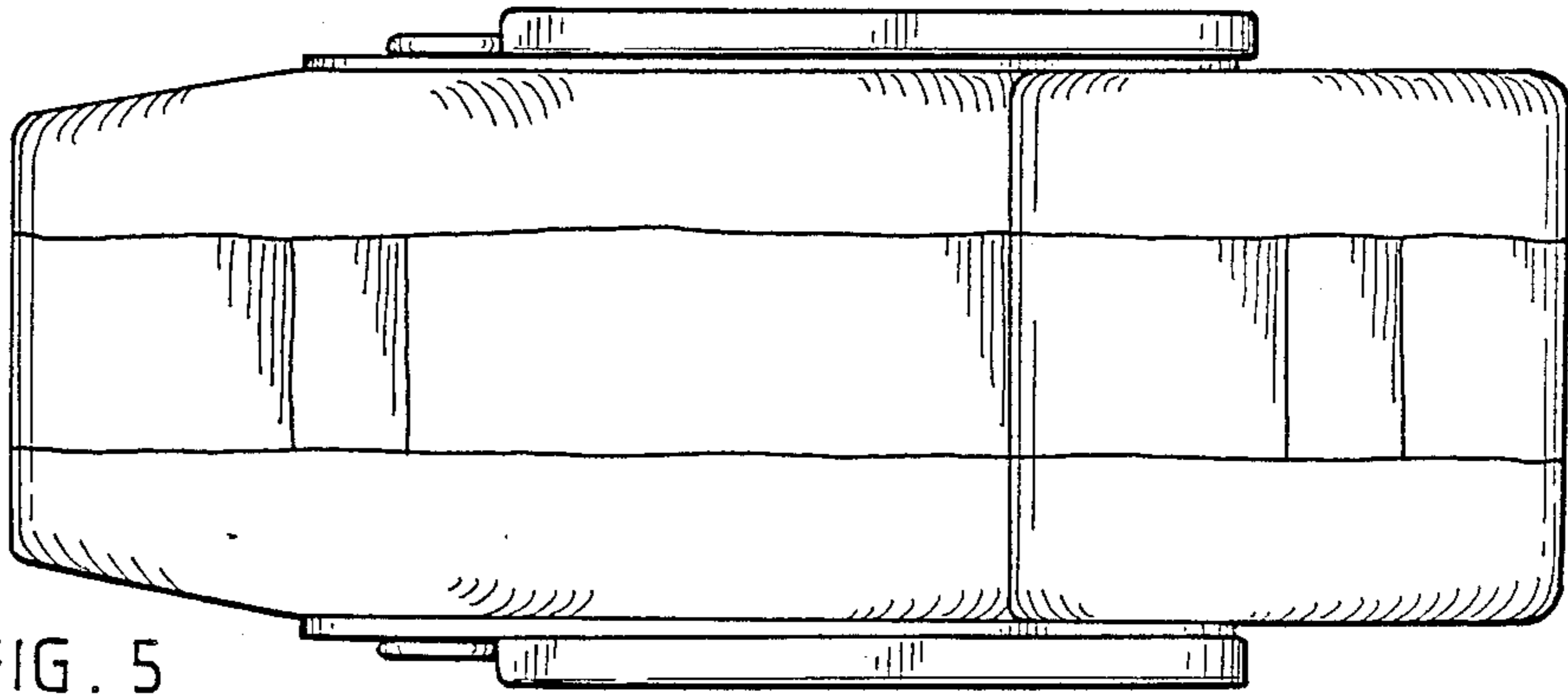


FIG. 5

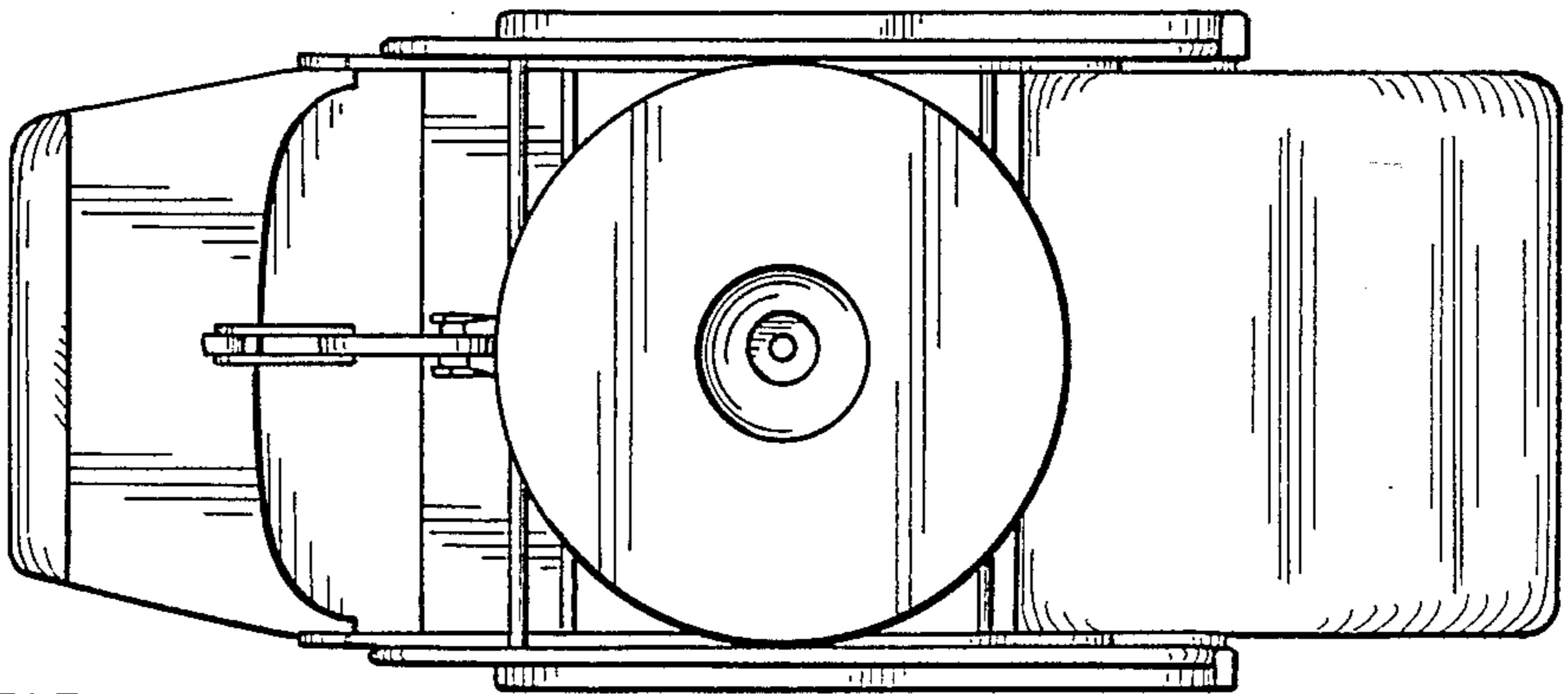


FIG. 6