

[54] VEHICLE CONSOLE MAP ORGANIZER AND STORAGE UNIT

[76] Inventor: Jack Burns, 11 N. John St., Pearl River, N.Y. 10965

[\*\*] Term: 14 Years

[21] Appl. No.: 139,052

[22] Filed: Dec. 29, 1987

[52] U.S. Cl. .... D3/40

[58] Field of Search ..... D3/35, 39, 40, 74, 99; D7/70, 37, 38; D12/155; 224/42.11, 42.12, 273, 275, 327, 329

[56] References Cited

U.S. PATENT DOCUMENTS

- D. 188,415 7/1960 Scheurer ..... D3/40
- D. 202,385 9/1965 Wilson ..... D3/40 X
- D. 271,542 11/1983 Rockwell ..... D3/40
- 3,561,589 2/1971 Larkin, Jr. .... D3/40 X

Primary Examiner—Louis S. Zarfaz  
Attorney, Agent, or Firm—James F. Cottone

[57] CLAIM

The ornamental design for a vehicle console map organizer and storage unit, as shown and described.

DESCRIPTION

FIG. 1 is a left rear perspective view of a vehicle console map organizer and storage unit showing my new design;

FIG. 2 is a right front perspective view;

FIG. 3 is a partial top plan view;

FIG. 4 is a bottom plan view;

FIG. 5 is a front elevational view;

FIG. 6 is a left rear perspective view of a vehicle console map organizer and storage unit showing a modified form of my new design;

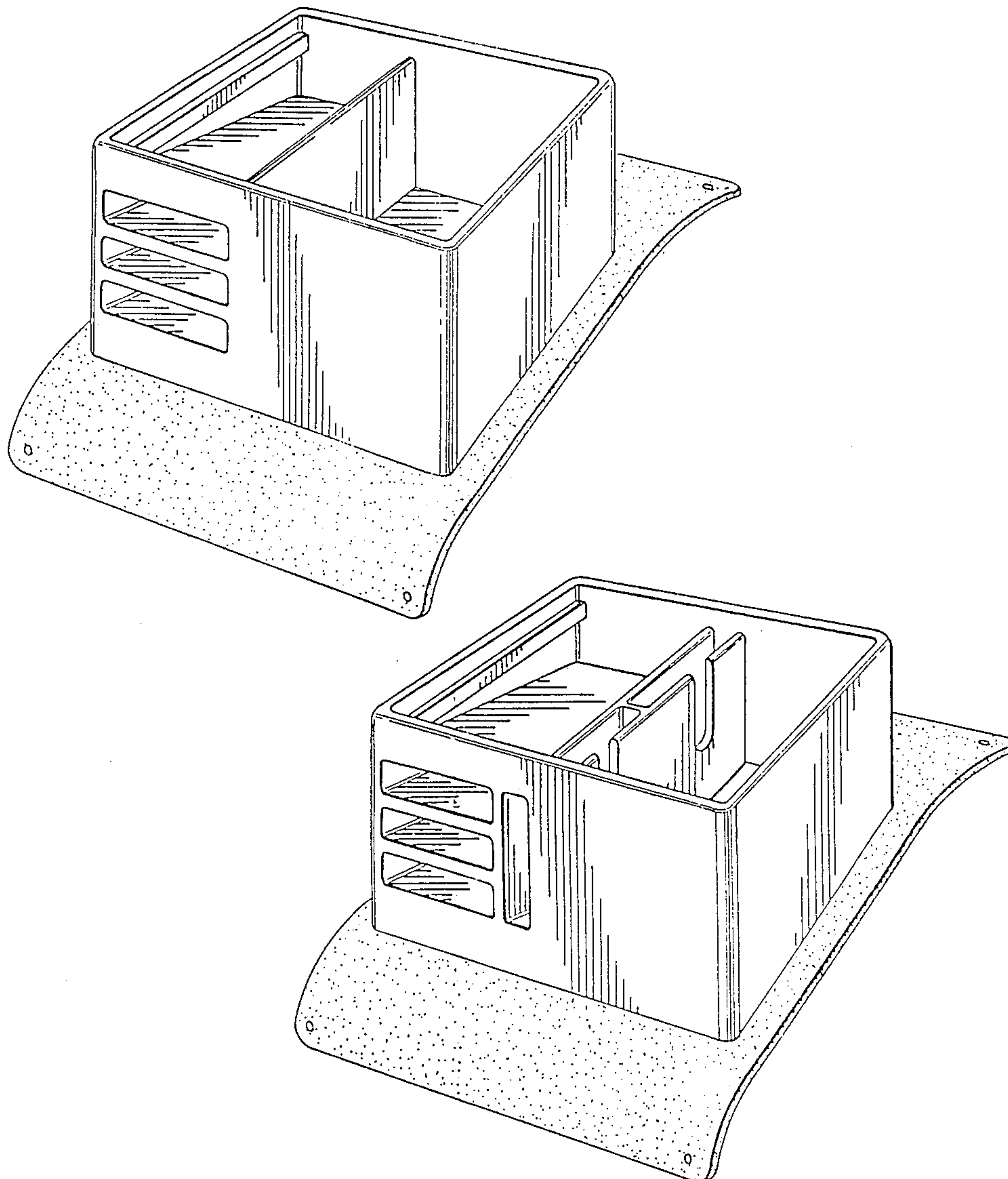
FIG. 7 is a right front perspective view thereof;

FIG. 8 is a partial top plan view thereof;

FIG. 9 is a bottom plan view thereof; and

FIG. 10 is a front elevational view thereof.

The broken line showing of a cover in FIGS. 2 and 7 is for illustrative purposes only and forms no part of the claimed design.



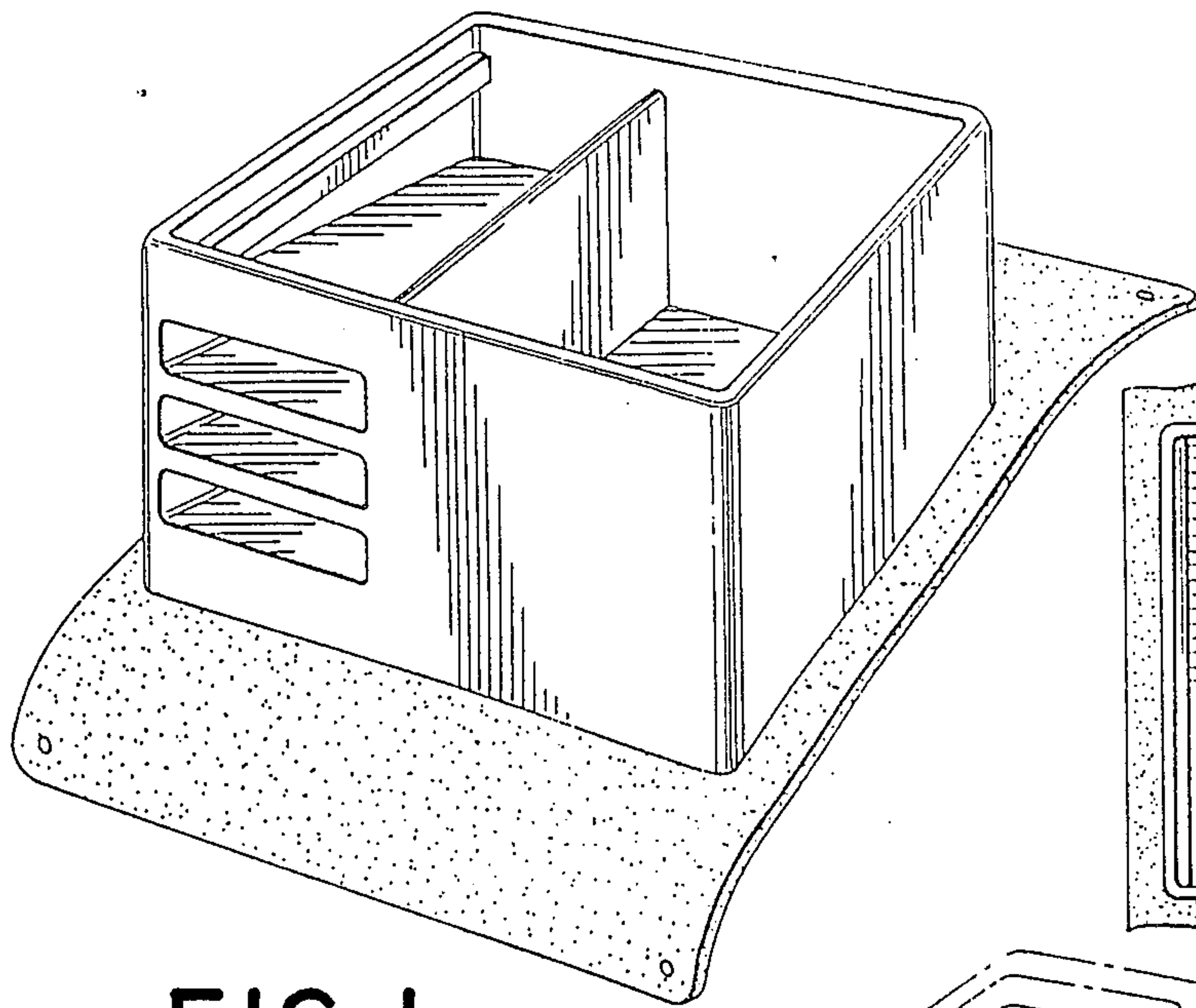


FIG. 1

FIG. 3

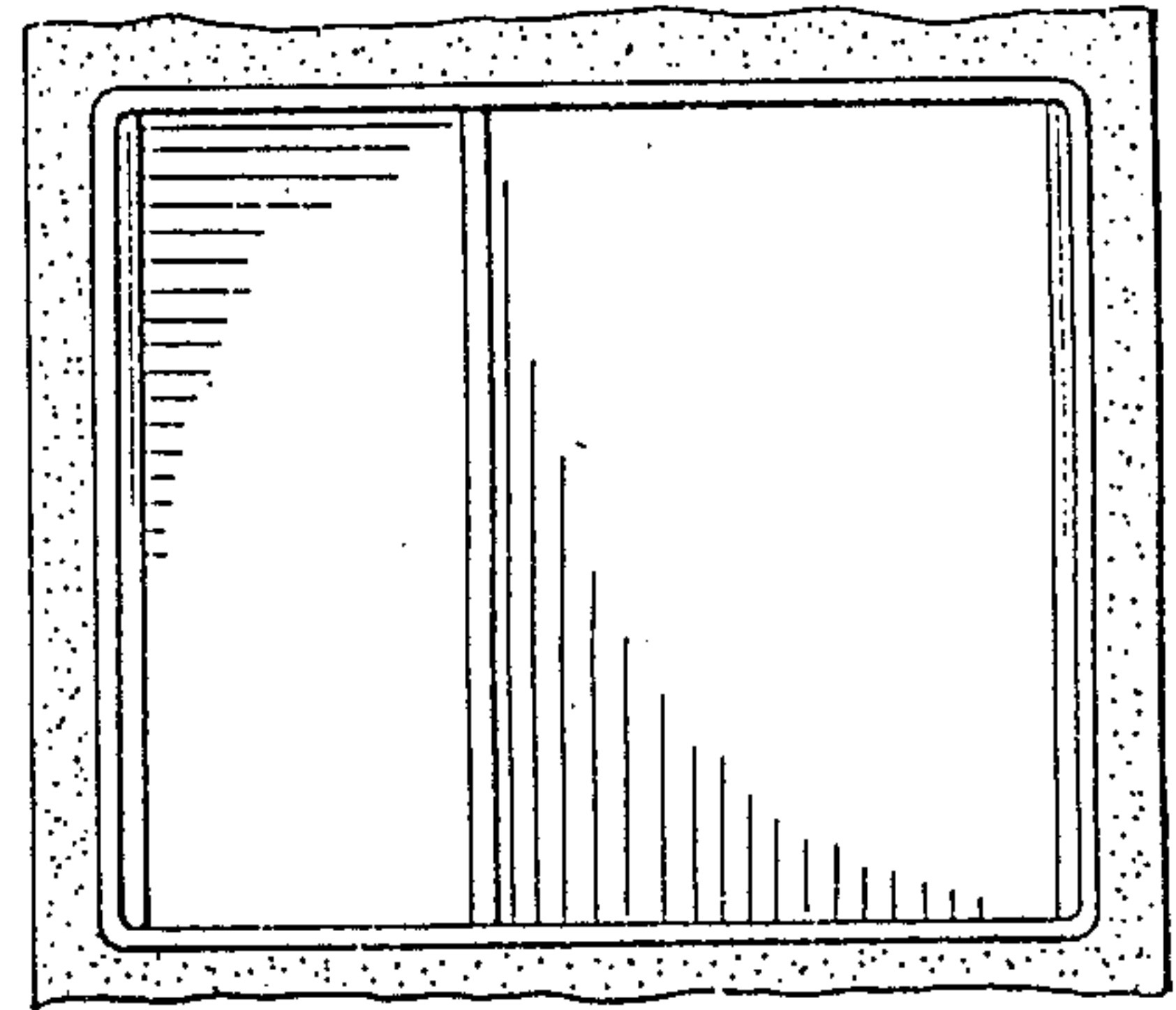


FIG. 2

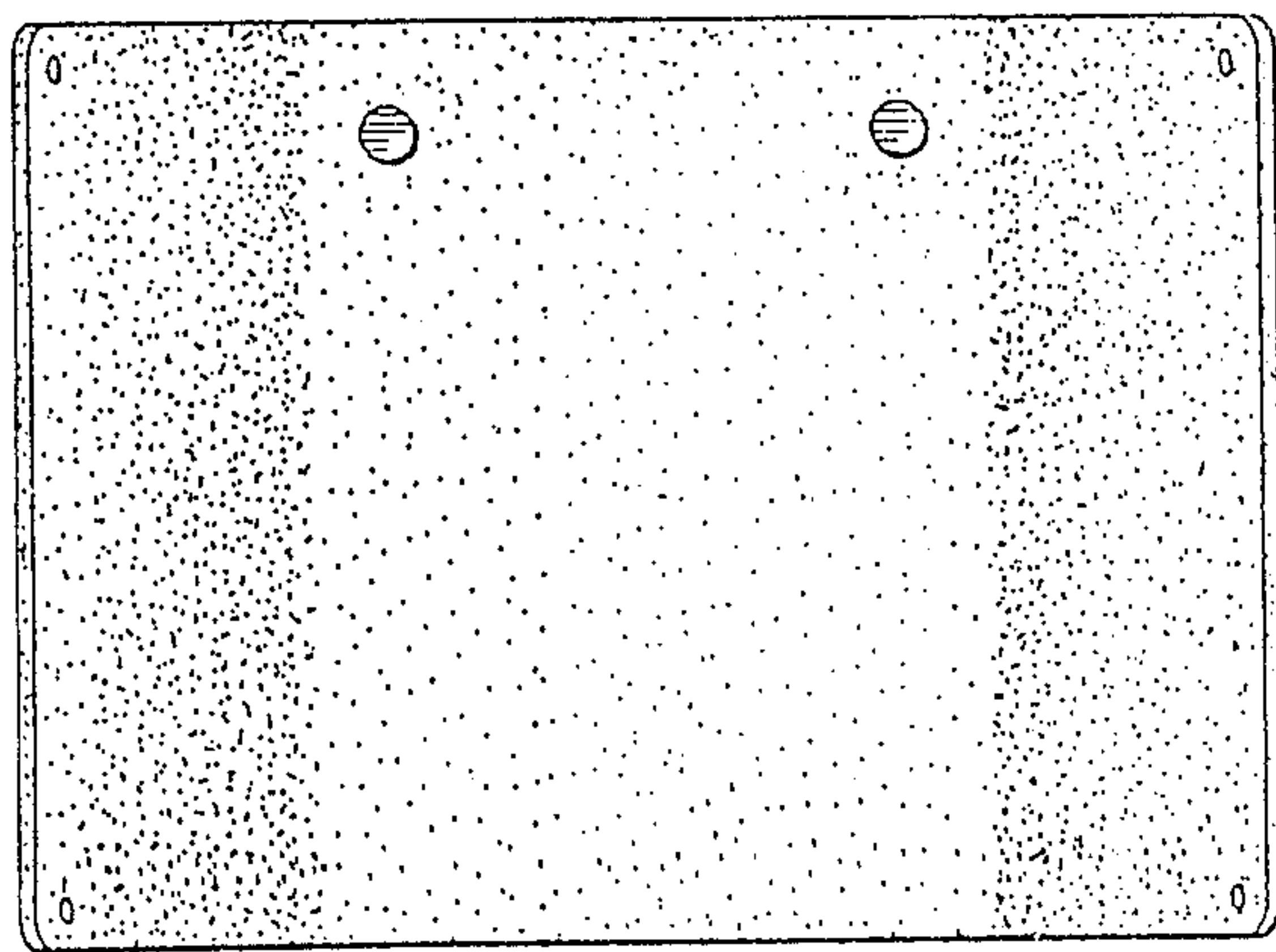
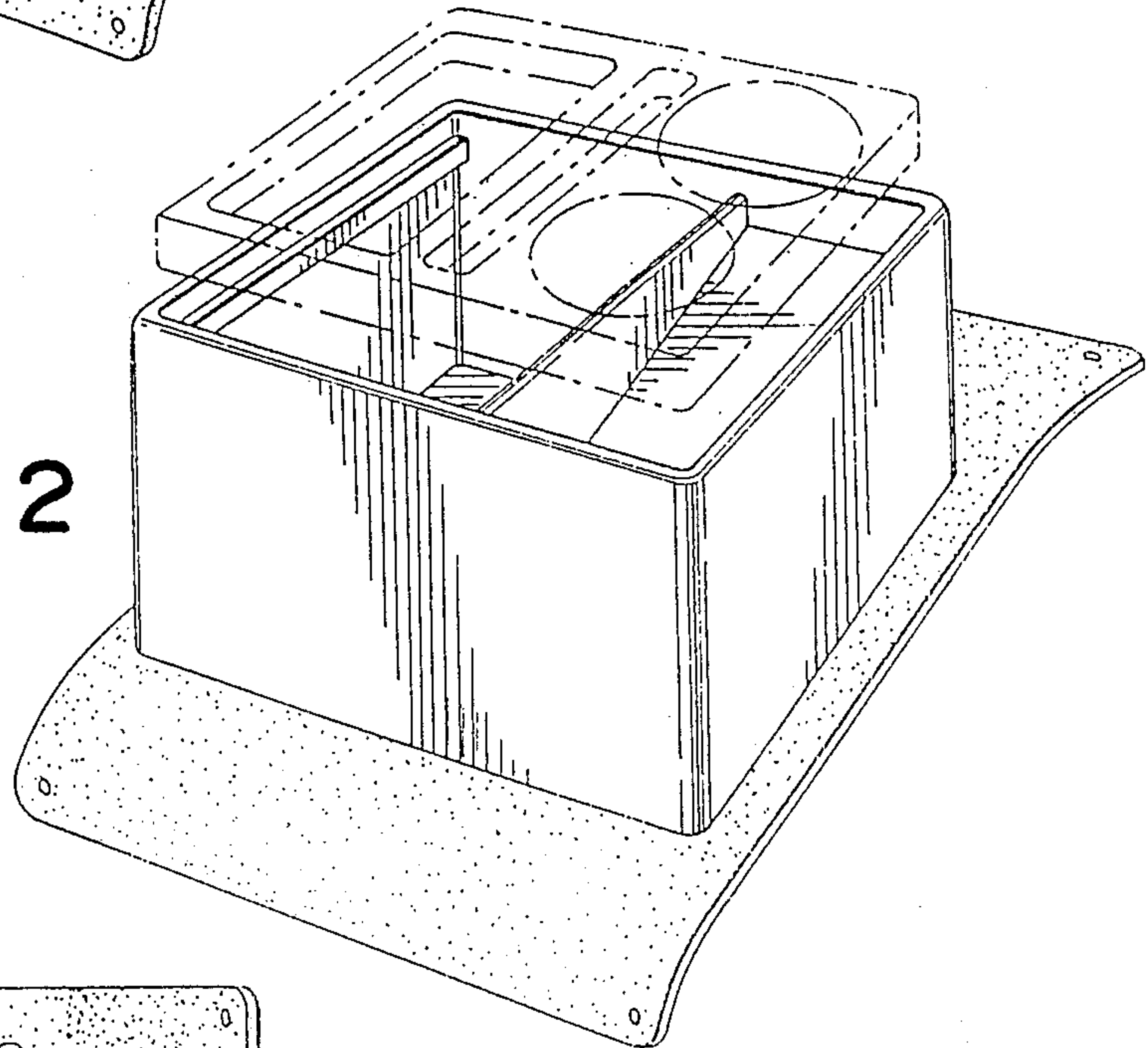


FIG. 4

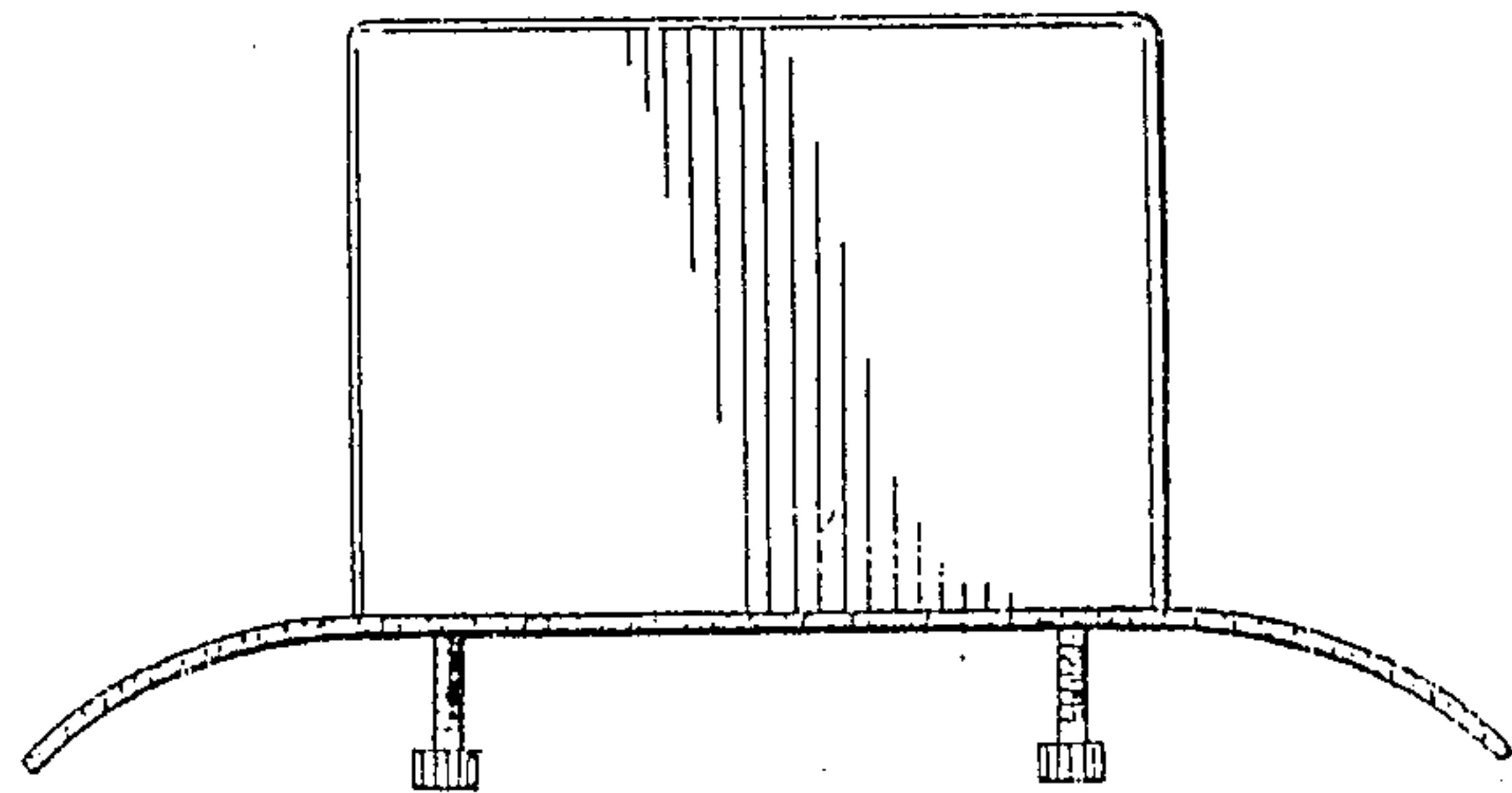


FIG. 5



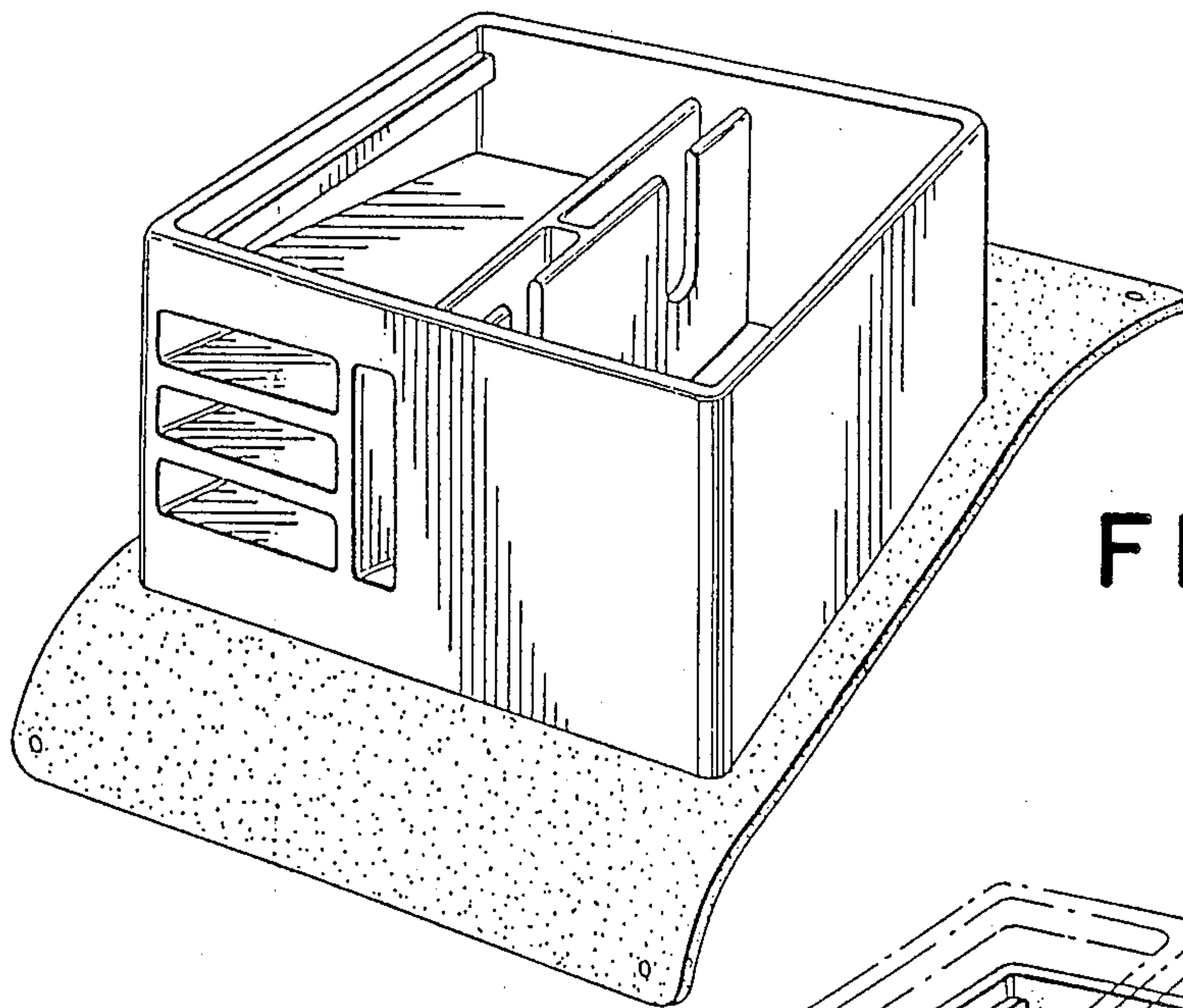


FIG. 6

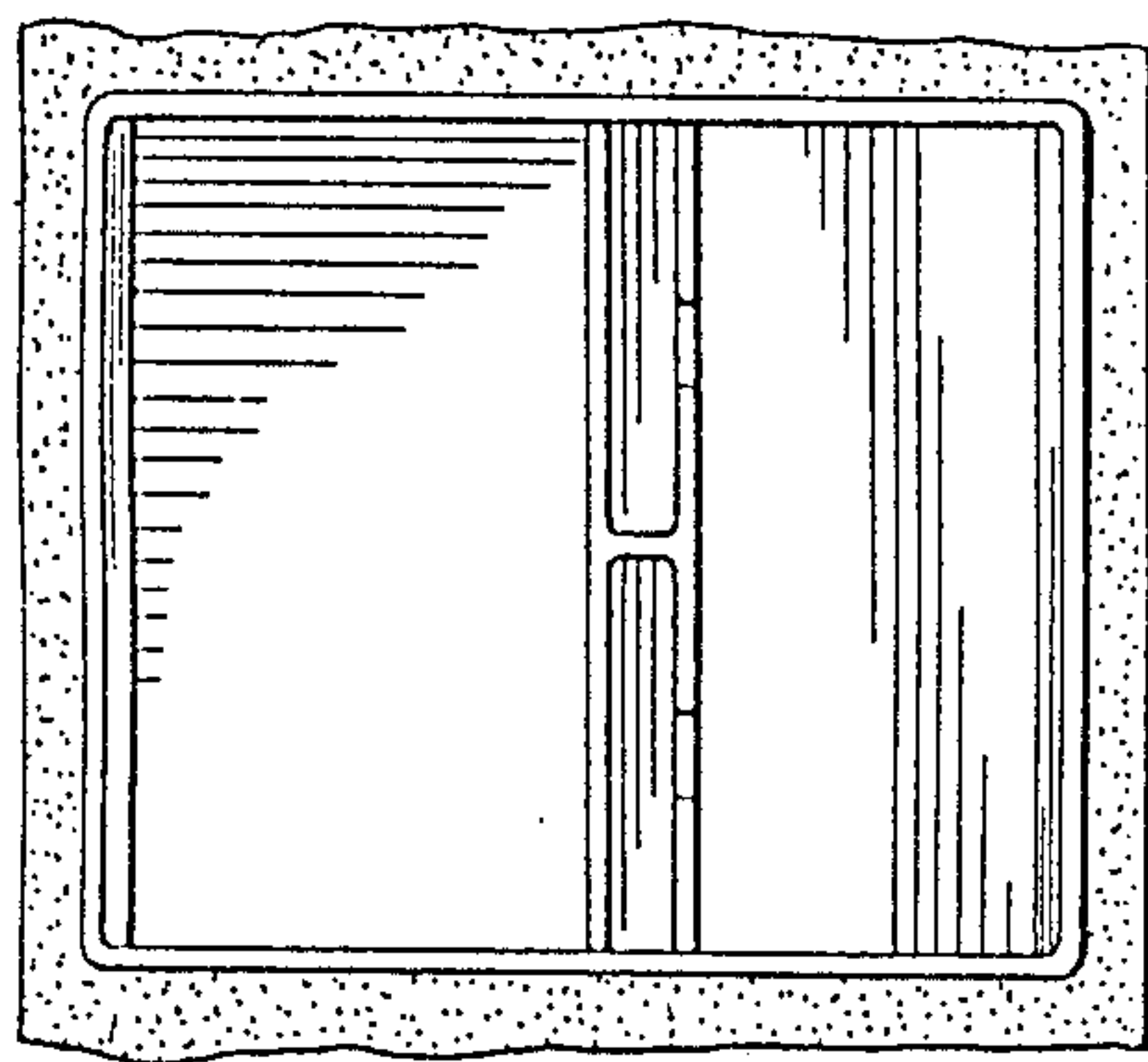


FIG. 8

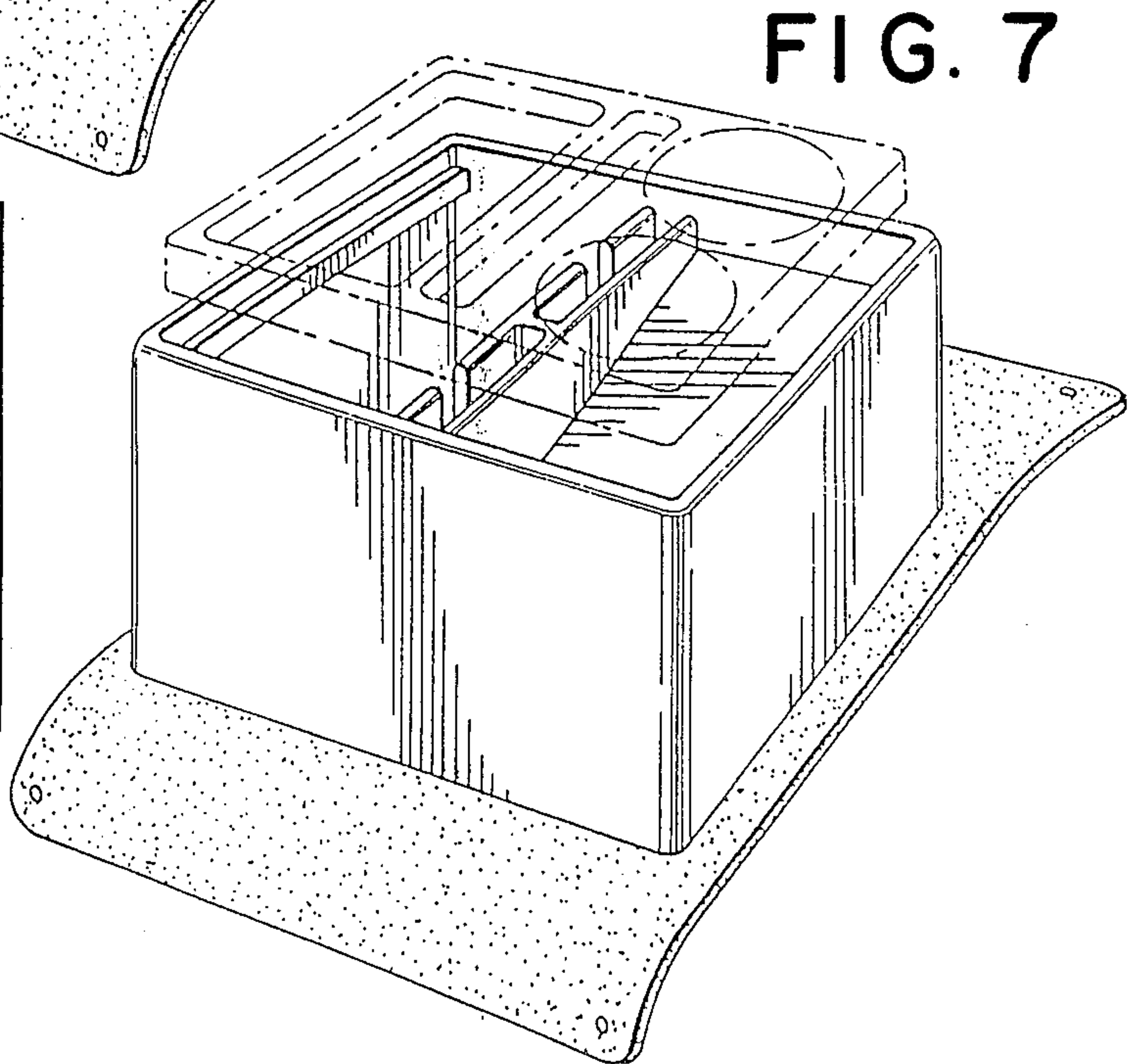


FIG. 7

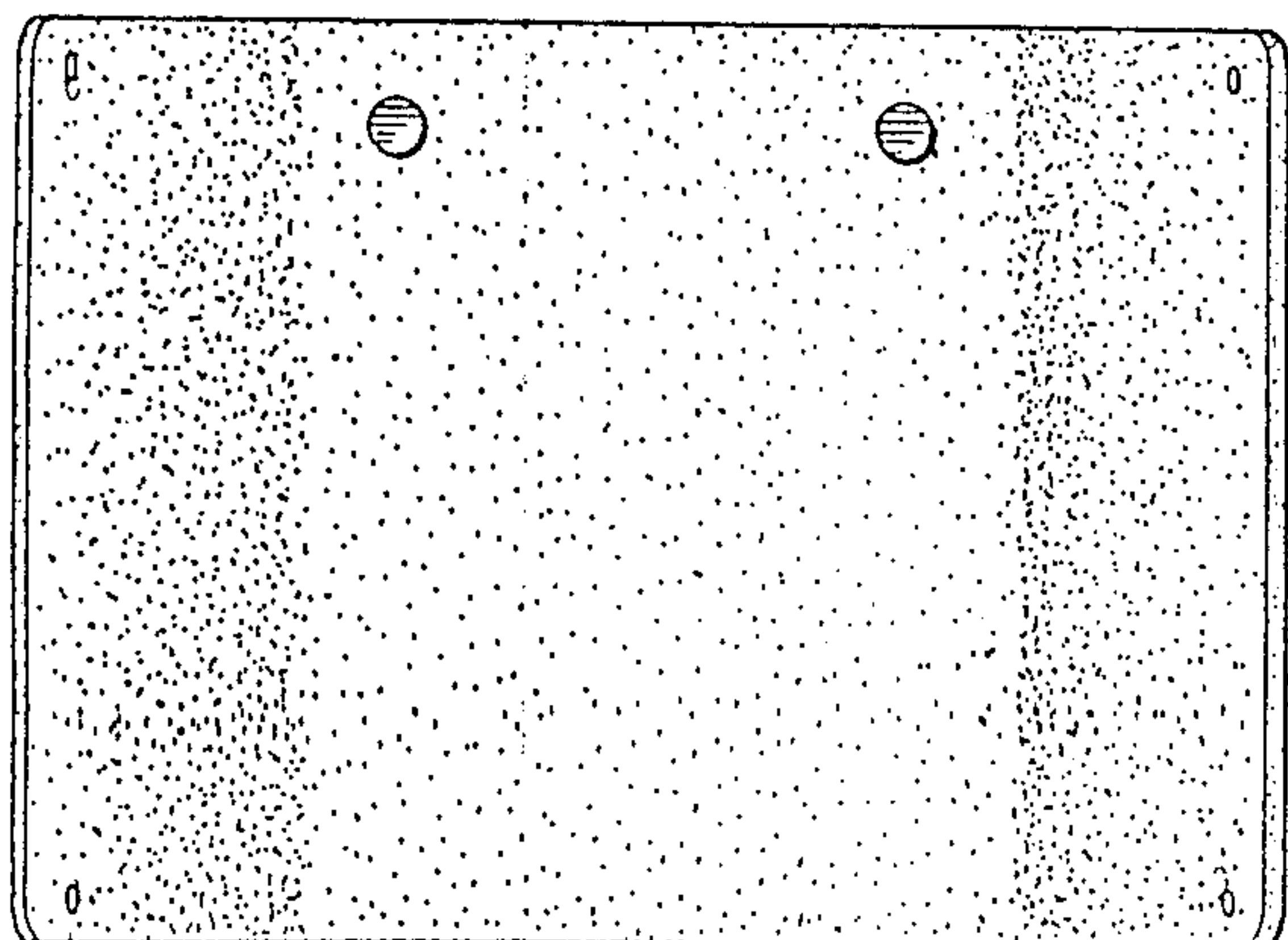


FIG. 9

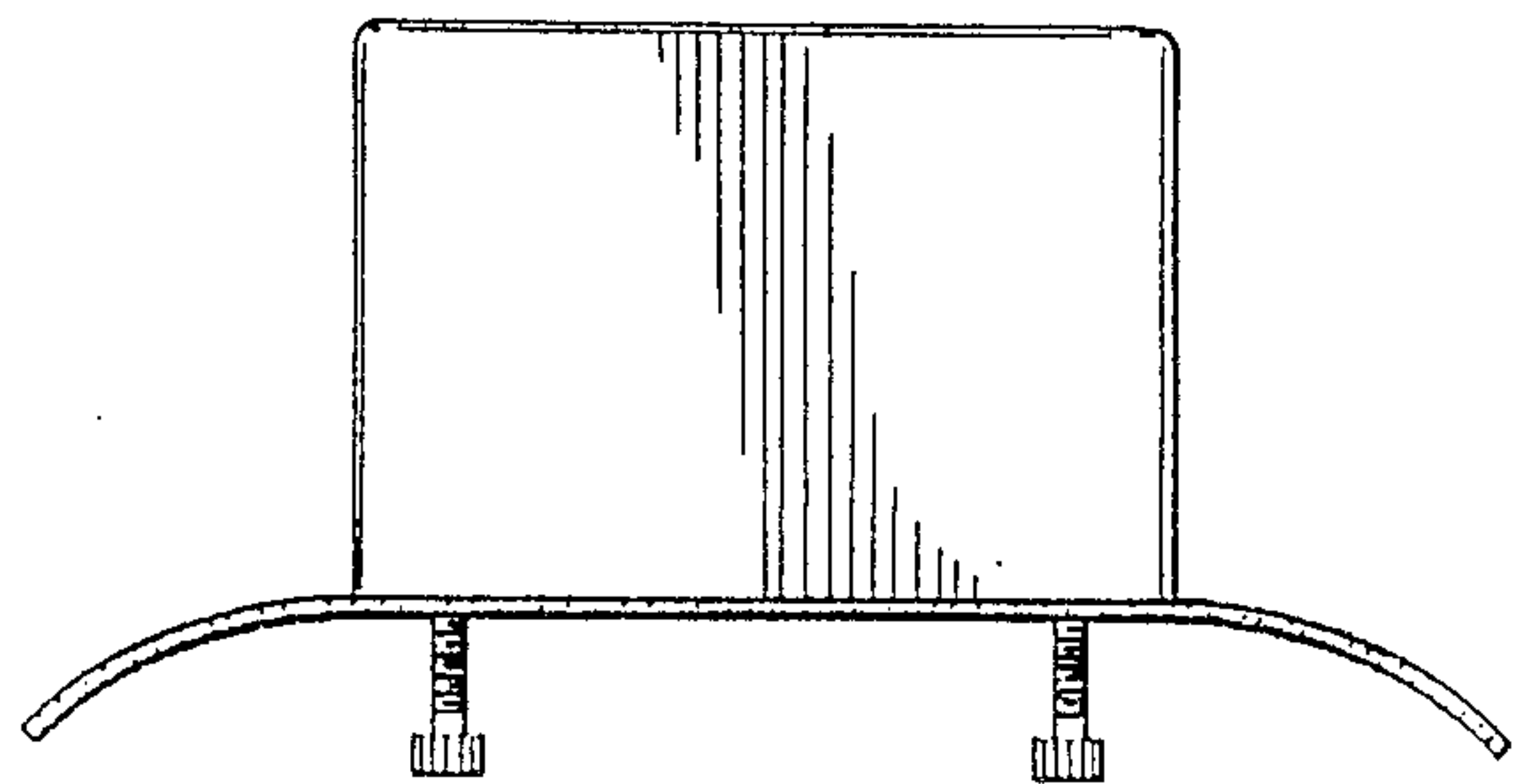


FIG. 10