

[54] COMBINED FISHING ROD HOLDER AND LURE BOX

4,784,304 11/1988 Schweitzer ..... 224/202

[76] Inventor: Gerald B. Paschal, 403 Helena Cir., Littleton, Colo. 80124

Primary Examiner—James R. Largen  
Attorney, Agent, or Firm—N. J. Aquilino

[\*\*] Term: 14 Years

[57] CLAIM

The ornamental design for a combined fishing rod holder and lure box, as shown and described.

[21] Appl. No.: 66,647

DESCRIPTION

[22] Filed: Jun. 26, 1987

[52] U.S. Cl. .... D3/38

[58] Field of Search ..... D3/36, 38; D22/134, D22/135, 136, 147; 224/920, 202, 205; 206/315.11, 373, 811, 579

FIG. 1 is top perspective view of a combined fishing rod holder and lure box showing my design in open position;

FIG. 2 is another top perspective view thereof showing the box in a closed position;

FIG. 3 is a front elevational view of FIG. 2;

FIG. 4 is a rear elevational view of FIG. 2;

FIG. 5 is a right end elevational view of FIG. 2, the left end being a mirror image of the right end shown;

FIG. 6 is a top plan view of FIG. 2 and

FIG. 7 is a bottom plan view of FIG. 2.

The fragmentary broken line showing of a fishing rod in FIGS. 1 and 2 are for illustrative purposes only and form no part of the claimed design.

[56] References Cited

U.S. PATENT DOCUMENTS

D. 242,083	10/1976	Jean	.....	D3/38
D. 252,115	6/1979	Herring	.....	D3/38
1,544,694	7/1925	Speidel	.....	312/207 X
3,201,017	8/1965	Morrissey	.....	224/920 X
3,995,742	12/1976	Austin et al.	.....	211/64 X
4,095,364	6/1978	Prine	.....	D22/147 X

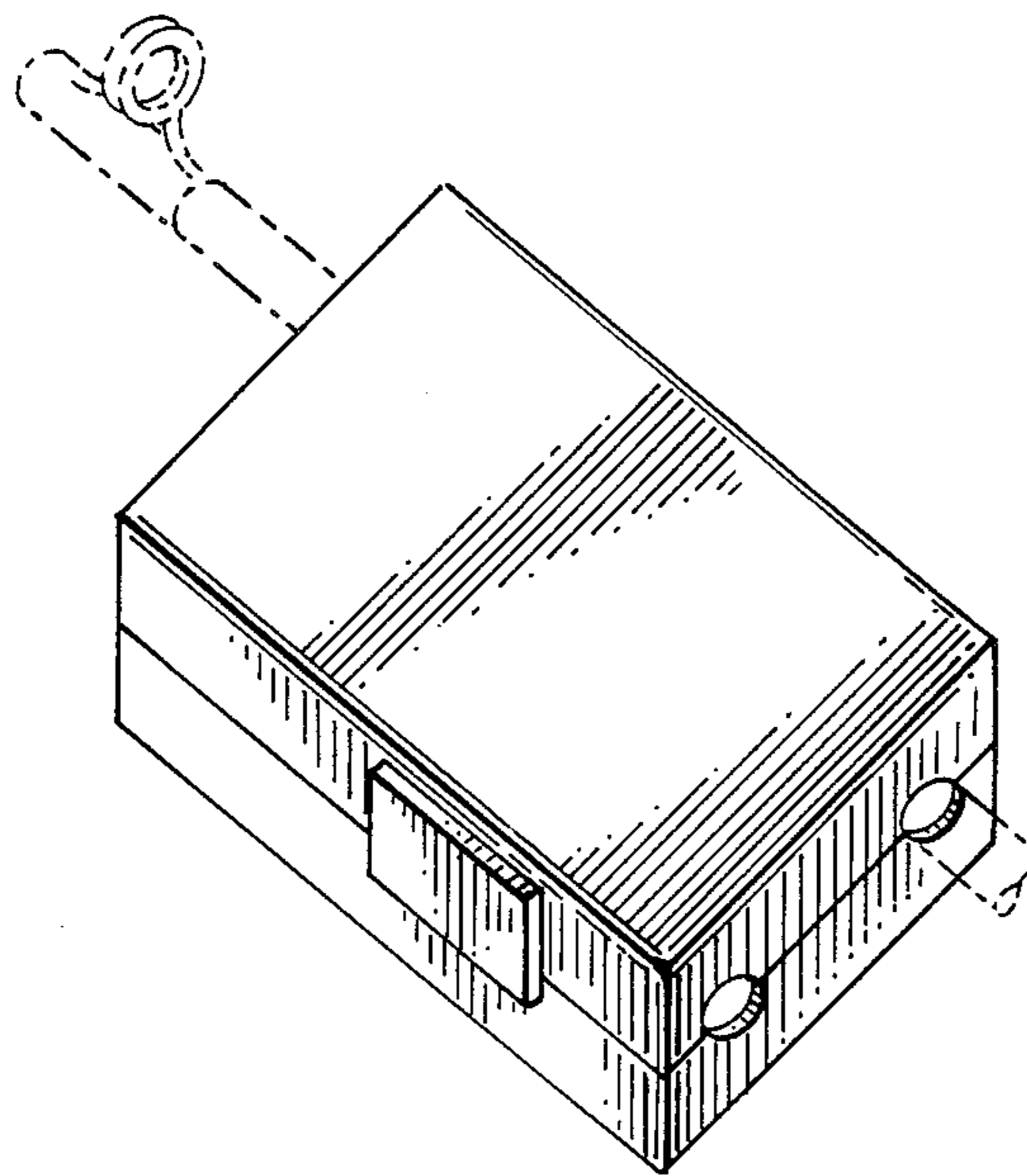


FIG. 1

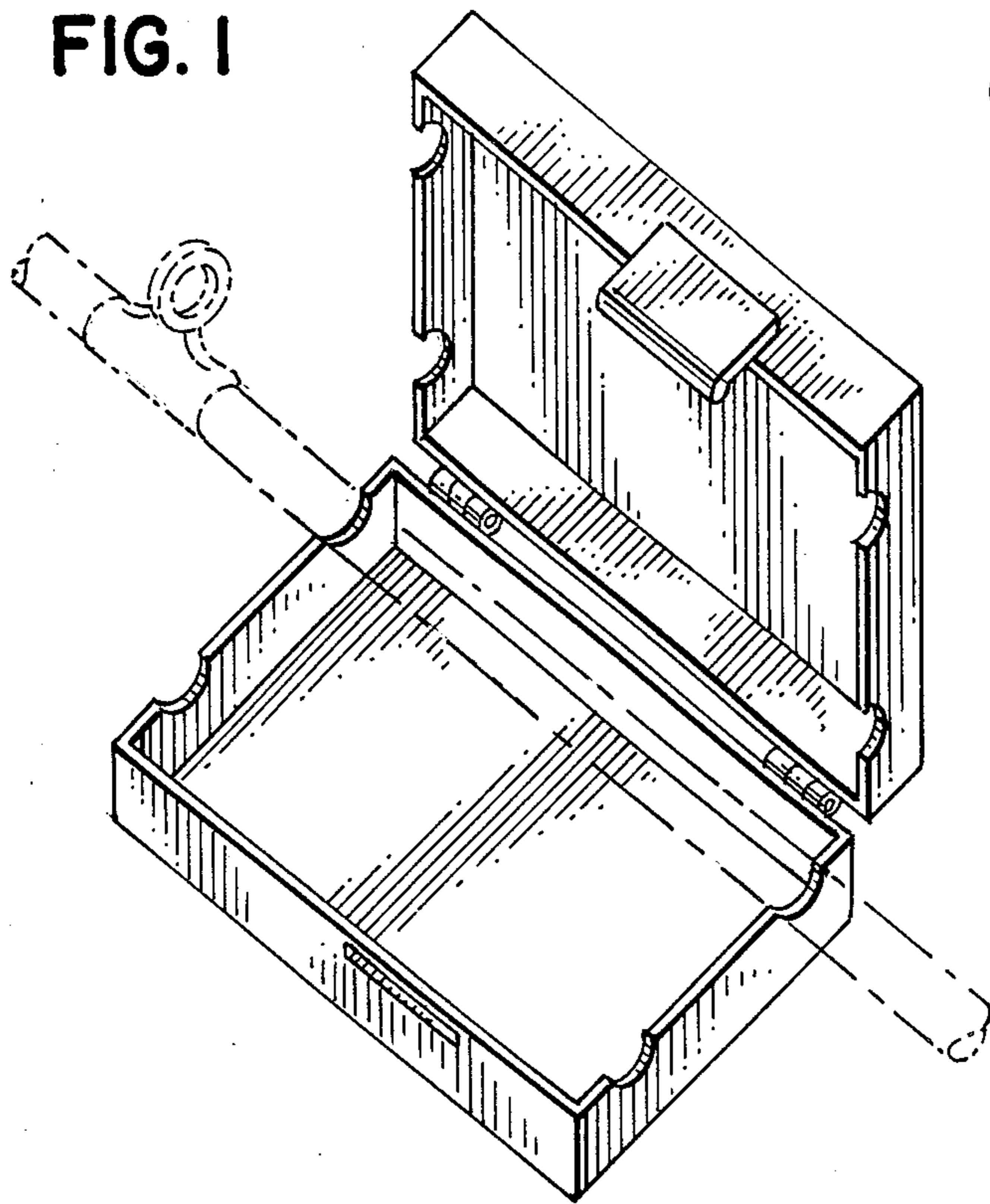


FIG. 2

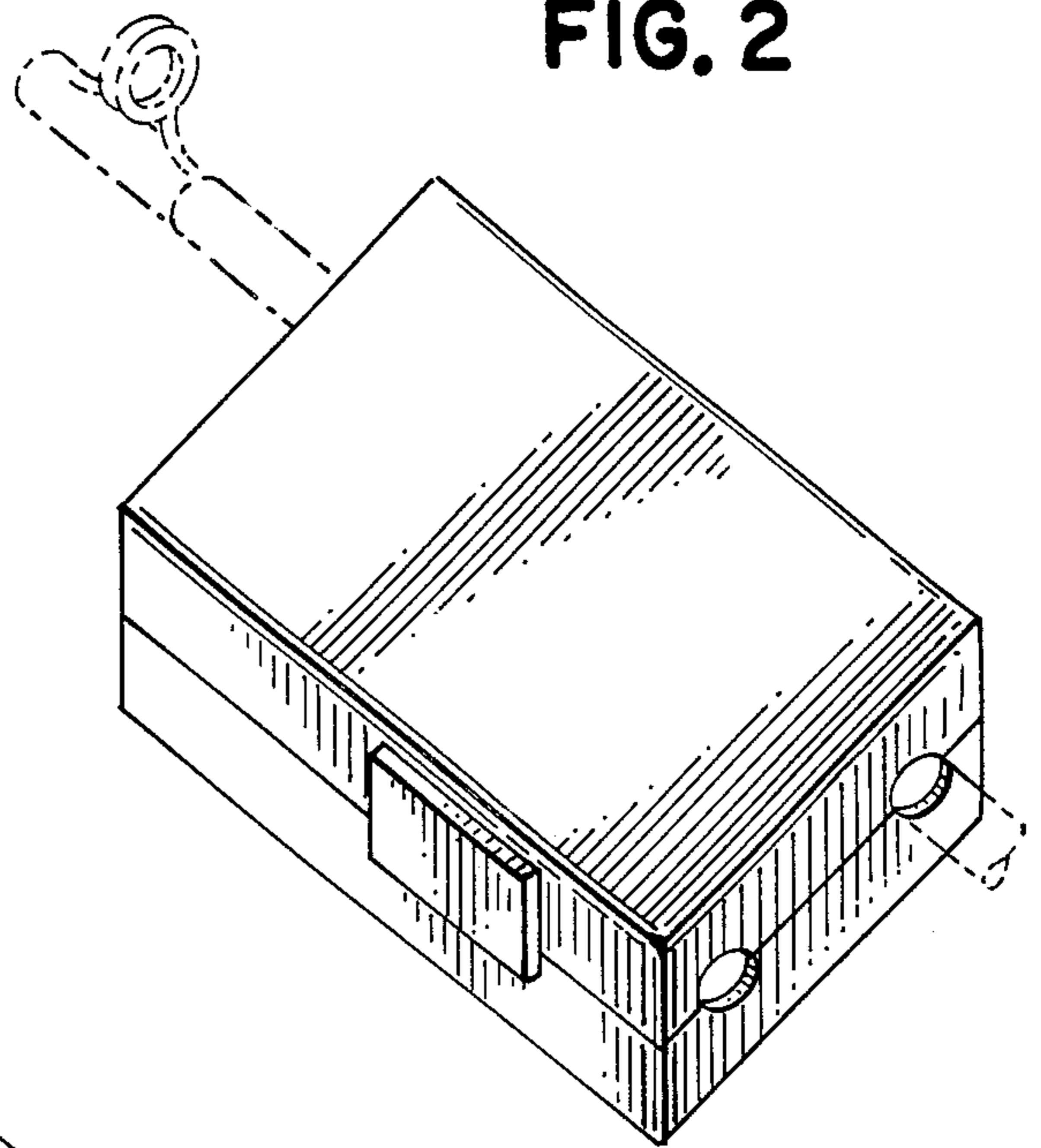


FIG. 3

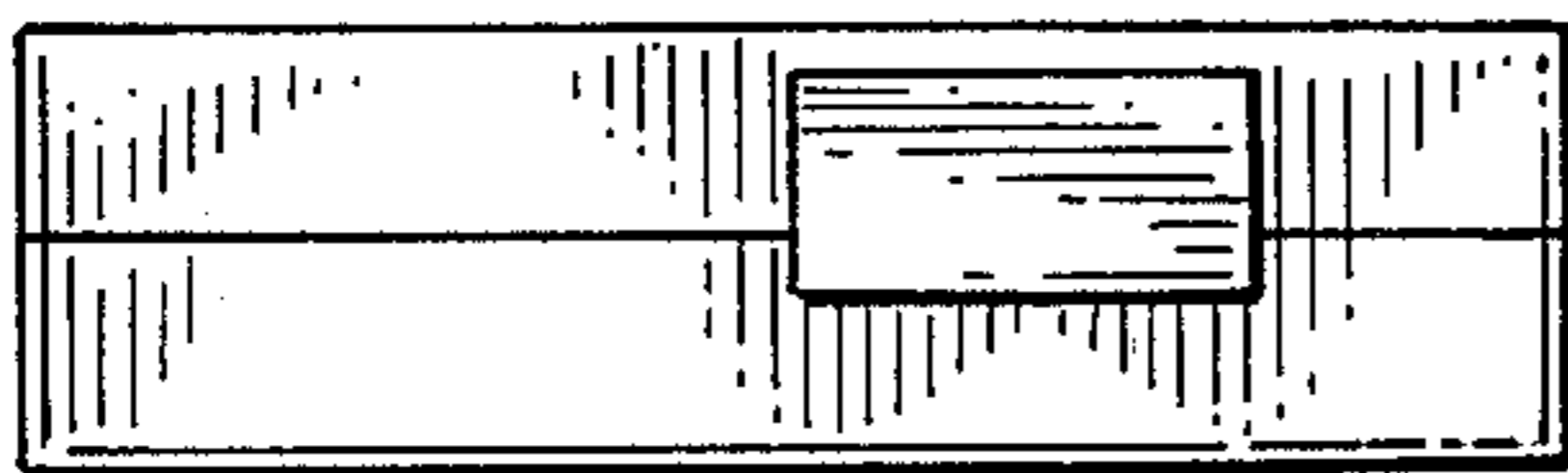


FIG. 4



FIG. 5



FIG. 6

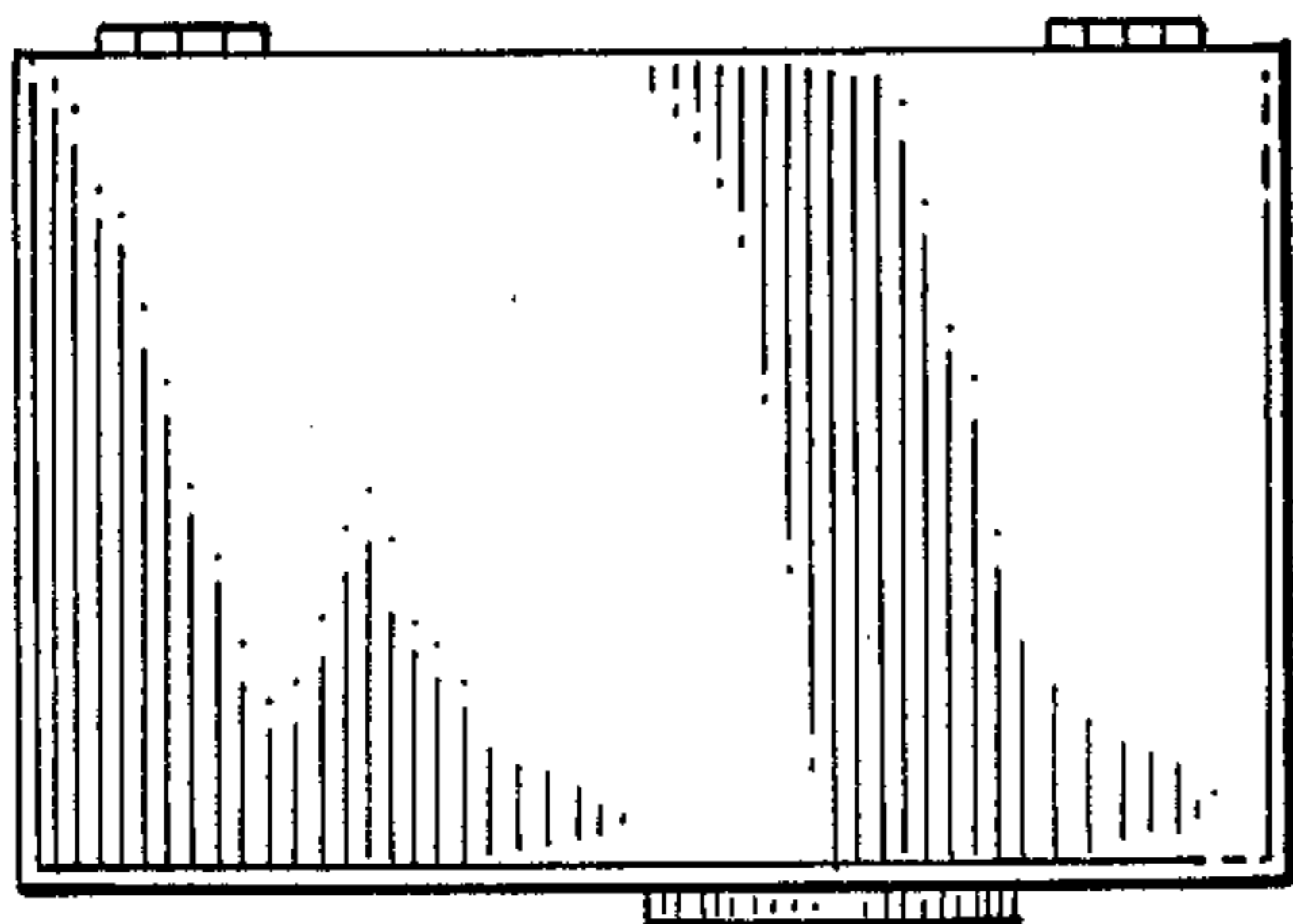


FIG. 7

