

[54] DISPOSABLE BIB FOR MOTOR VEHICLE OCCUPANTS

[76] Inventor: Frank G. Dawahare, 3407 Warner Ave., Louisville, Ky. 40207

[**] Term: 14 Years

[21] Appl. No.: 369,675

[22] Filed: Jun. 21, 1989

[52] U.S. Cl. D2/229; D2/226

[58] Field of Search D2/1, 6, 7, 17, 28, D2/42, 44, 46, 48, 53, 79, 183-187, 196, 199, 208-222, 225-229; D29/10; 2/4, 48, 49 R, 51, 52, 69.5, 84, 85, 92, 93, 102, 104, 106, 108, 112, 114, 115, 118, 121-122, 125, 126, 130, 202, 247, 318, 403, DIG. 7

[56] References Cited

U.S. PATENT DOCUMENTS

D. 288,260 2/1987 Anderson et al. D2/229

D. 704,206	7/1902	Newlin	D2/229
1,647,385	11/1927	Voorsanger	2/48
2,808,588	10/1957	Perisco	2/2.5
3,131,399	5/1964	Murphy et al.	2/48
4,733,411	3/1988	Foti	2/49 R

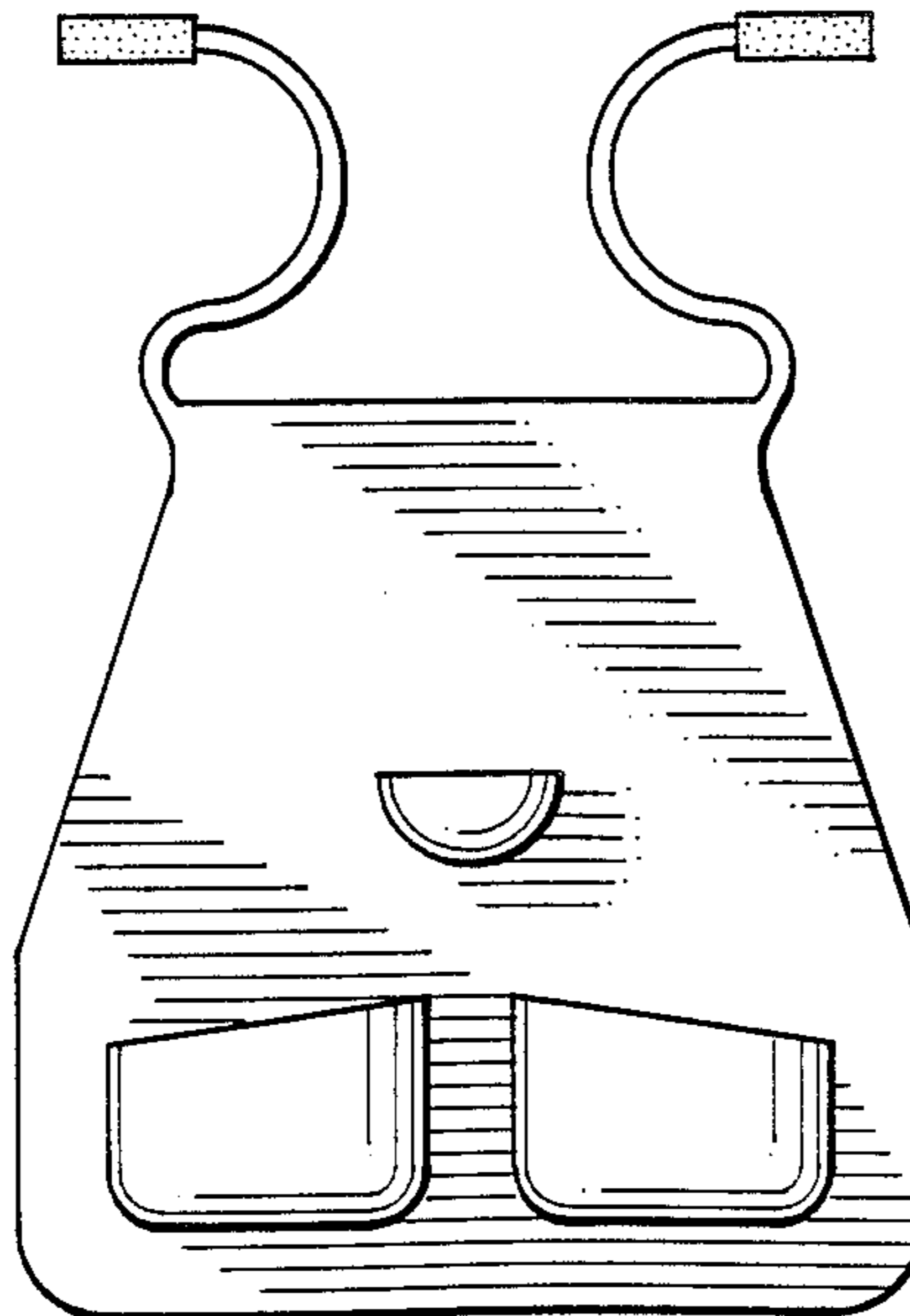
Primary Examiner—A. Hugo Word
Assistant Examiner—Celia A. Murphy
Attorney, Agent, or Firm—Jerry T. Kearns

[57] CLAIM

The ornamental design for a disposable bib for motor vehicle occupants, as shown and described.

DESCRIPTION

FIG. 1 is a front elevational view of a disposable bib for motor vehicle occupants showing my new design; FIG. 2 is a rear elevational view thereof; FIG. 3 is a left side elevational view thereof; FIG. 4 is a right side elevational view thereof; FIG. 5 is a top plan view thereof; and, FIG. 6 is a bottom plan view thereof.



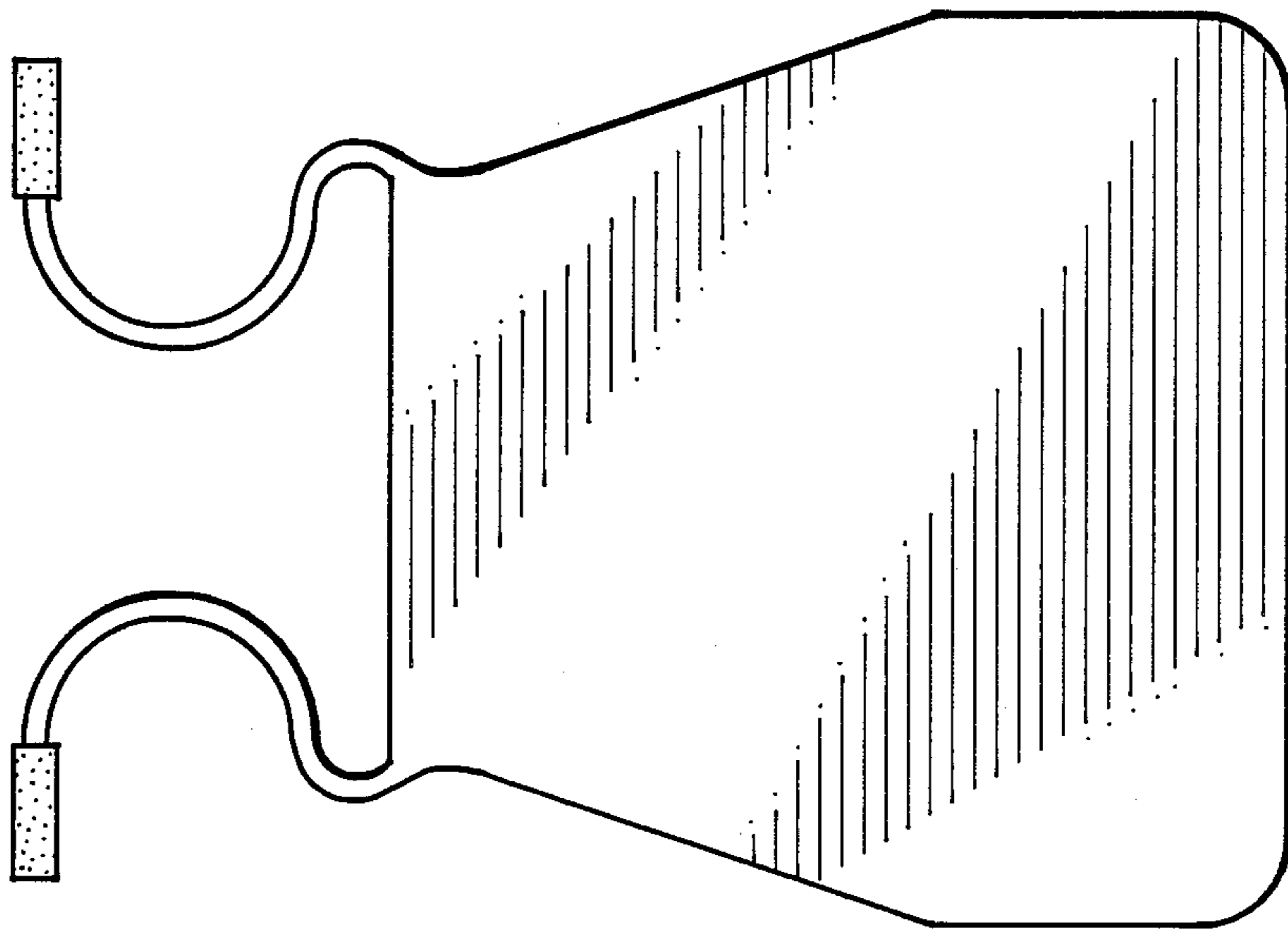


Fig. 2

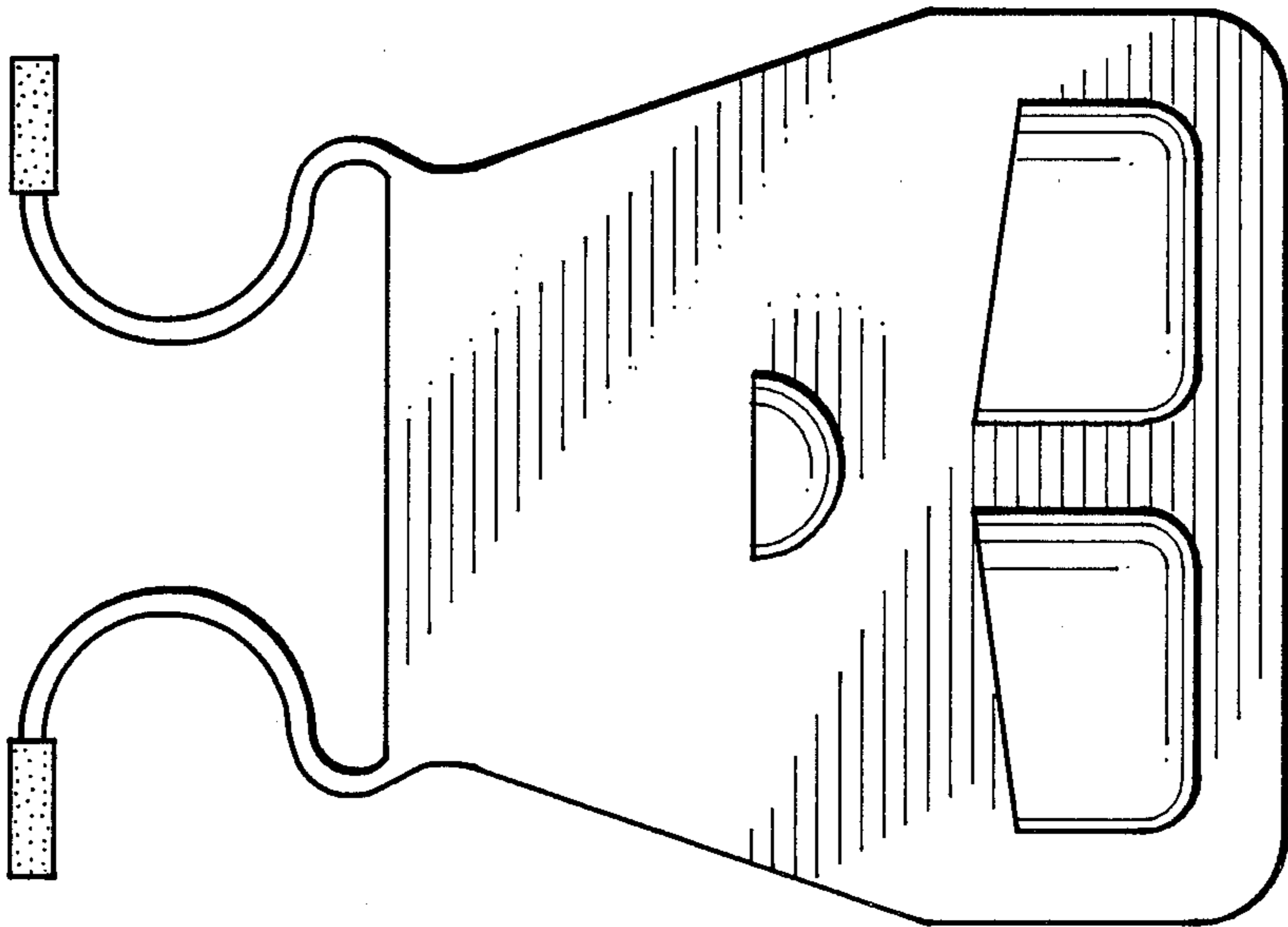


Fig. 1



Fig. 5



Fig. 6



Fig. 4



Fig. 3