

[54] WALL BLOCK

[76] Inventor: Paul J. Forsberg, 7600 France Ave. South, Edina, Minn. 55435

[**] Term: 14 Years

[21] Appl. No.: 804,357

[22] Filed: Nov. 8, 1985

[52] U.S. Cl. D25/113

[58] Field of Search 405/284, 285, 286, 30; 404/41, 42, 34; 52/608, 605; D25/113, 124, 116, 58

1360872 4/1964 France 52/608

205452 3/1939 Switzerland .

336 of 1871 United Kingdom D25/113

1385207 2/1975 United Kingdom .

2127872 4/1984 United Kingdom 404/41

OTHER PUBLICATIONS

The Hollow Building Tile Assoc. Handbook, p. 11, Jan. 1924.

The Besser Company Bulletin, Feb. 1985.

The Besser Company brochure, "Modular Concrete Block", 1984.

The Besser Company brochure, "Paving Stone", Jun. 1984.

Concrete Masonry Pictorial, vol. 33, No. 3, C 1977, p. 35.

Primary Examiner—A. Hugo Word
 Assistant Examiner—Doris Clark
 Attorney, Agent, or Firm—Richard O. Bartz

[56] References Cited
 U.S. PATENT DOCUMENTS

- 126,547 5/1872 Hickcox .
- 228,052 5/1880 Frost .
- D. 237,704 11/1975 Lane .
- 566,924 9/1896 Morrin .
- 810,748 1/1906 Haller et al. .
- 1,092,621 4/1914 Worner .
- 1,414,444 5/1922 Straight .
- 1,456,498 5/1923 Binns .
- 2,235,646 3/1941 Schaffer .
- 2,882,689 4/1959 Huch et al. 405/284
- 2,963,828 12/1960 Belliveau .
- 3,036,407 5/1962 Dixon .
- 3,274,742 9/1966 Paul, Jr. et al. .
- 3,390,502 7/1968 Carroll .
- 3,430,404 3/1969 Muse .
- 3,557,505 1/1971 Kaul .
- 3,936,987 2/1976 Calvin .
- 3,995,434 12/1976 Kato et al. .
- 4,016,693 4/1977 Warren 52/605 X
- 4,110,948 9/1978 Cambiuzzi et al. .
- 4,207,718 6/1980 Schaaf et al. .
- 4,208,850 6/1980 Collier .
- 4,228,628 10/1980 Schlomann .
- 4,229,123 10/1980 Heinzmann .
- 4,312,606 1/1982 Sarikelle .
- 4,335,549 6/1982 Dean 52/98
- 4,454,699 6/1984 Strobl .
- 4,496,226 1/1985 Ruckstuhl .
- 4,524,551 6/1985 Scheiwiller .
- 4,572,699 2/1986 Rinninger .

FOREIGN PATENT DOCUMENTS

392474 11/1908 France .

[57] CLAIM

The ornamental design for a wall block, as shown and described.

DESCRIPTION

FIG. 1 is a front perspective view of a first embodiment of a wall block showing my new design;

FIG. 2 is a top plan view thereof;

FIG. 3 is a bottom plan view thereof;

FIG. 4 is a front elevational view thereof;

FIG. 5 is a rear elevational view thereof;

FIG. 6 is a side elevational view thereof, the opposite side being a mirror image thereof;

FIG. 7 is a sectional view taken along line 7—7 of FIG. 2;

FIG. 8 is a sectional view taken along line 8—8 of FIG. 2;

FIG. 9 is a front perspective view of a second embodiment of the wall block of my new design;

FIG. 10 is a top plan view of FIG. 9;

FIG. 11 is a bottom plan view of FIG. 9;

FIG. 12 is a front elevational view of FIG. 9;

FIG. 13 is a rear elevational view of FIG. 9;

FIG. 14 is a side elevational view of FIG. 9, the opposite side being a mirror image thereof;

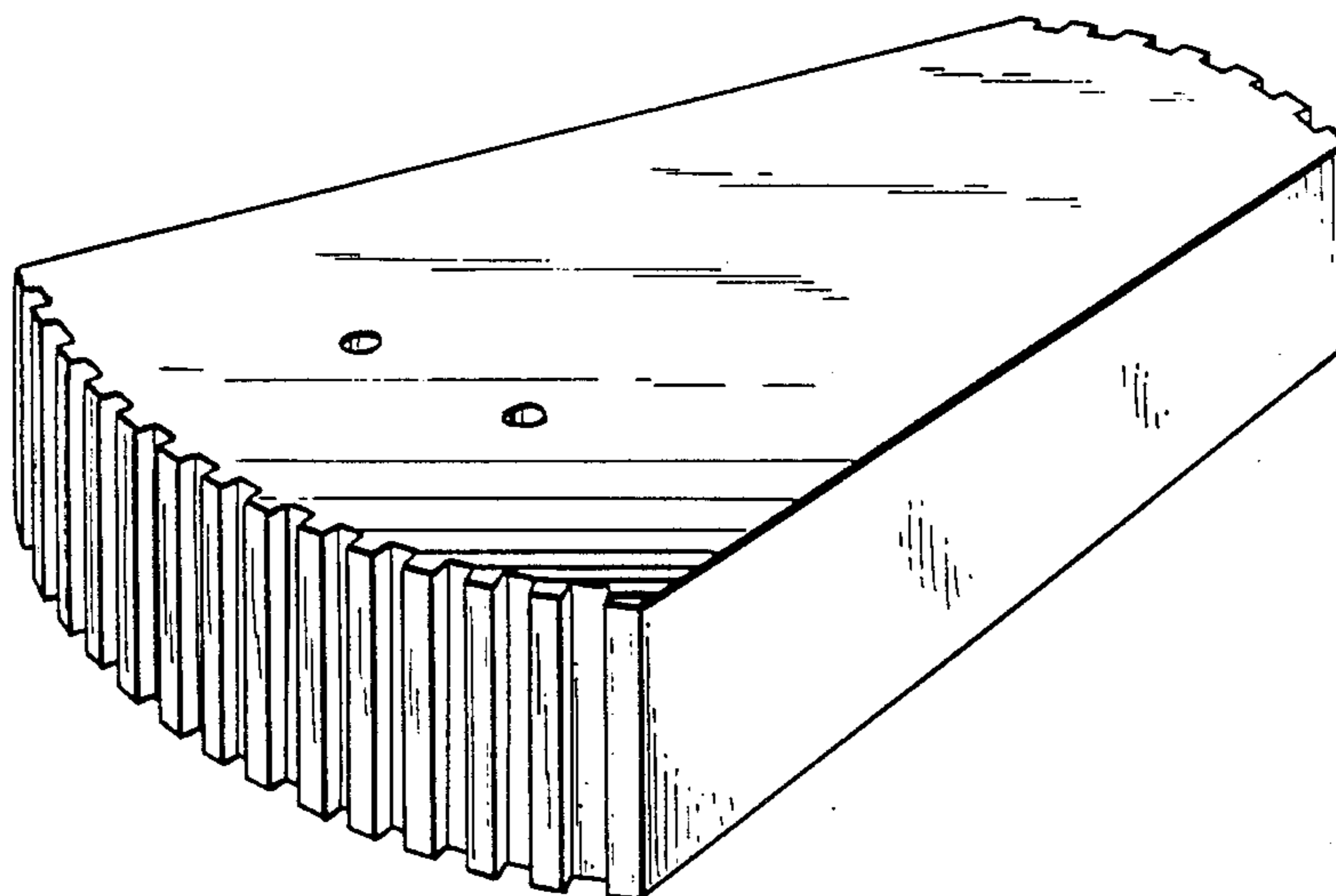


FIG. 15 is a sectional view taken along line 15—15 of FIG. 10;

FIG. 16 is a sectional view taken along line 16—16 of FIG. 10;

FIG. 17 is a front perspective view of a third embodiment of the wall block of my new design;

FIG. 18 is a top plan view of FIG. 17;

FIG. 19 is a bottom plan view of FIG. 17;

FIG. 20 is a front elevational view of FIG. 17;

FIG. 21 is a rear elevational view of FIG. 17;

FIG. 22 is a side elevational view of FIG. 17, the opposite side being a mirror image thereof;

FIG. 23 is a sectional view taken along line 23—23 of FIG. 18;

FIG. 24 is a sectional view taken along line 24—24 of FIG. 18;

FIG. 25 is a perspective view of a fourth embodiment of the wall block showing my new design;

FIG. 26 is a top plan view of FIG. 22;

FIG. 27 is a bottom plan view of FIG. 22;

FIG. 28 is a front elevational view of FIG. 22;

FIG. 29 is a rear elevational view of FIG. 22;

FIG. 30 is a side elevational view of FIG. 22, the opposite side being a mirror image thereof;

FIG. 31 is a sectional view taken along line 31—31 of FIG. 26;

FIG. 32 is a sectional view taken along line 32—32 of FIG. 26.

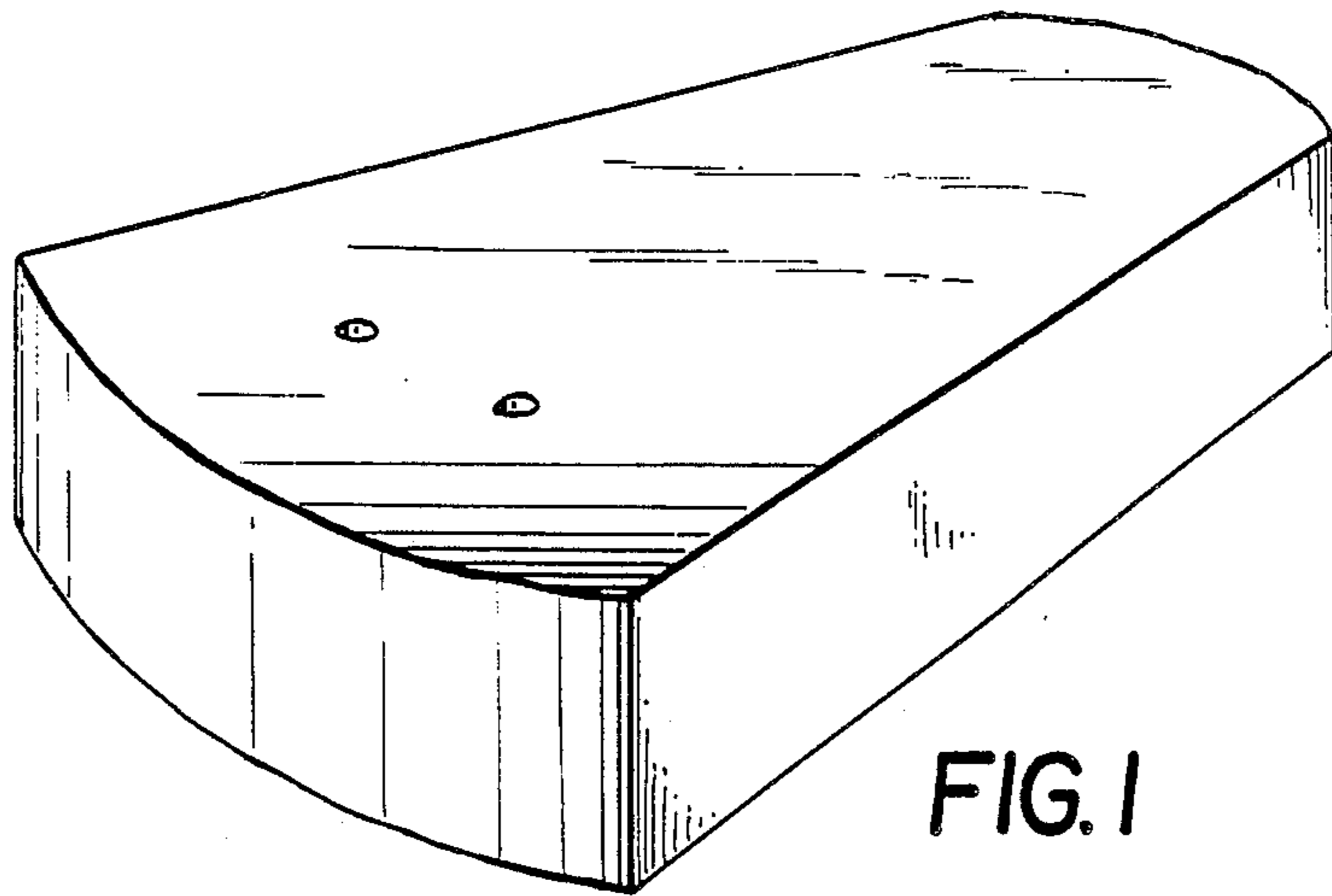


FIG. 1

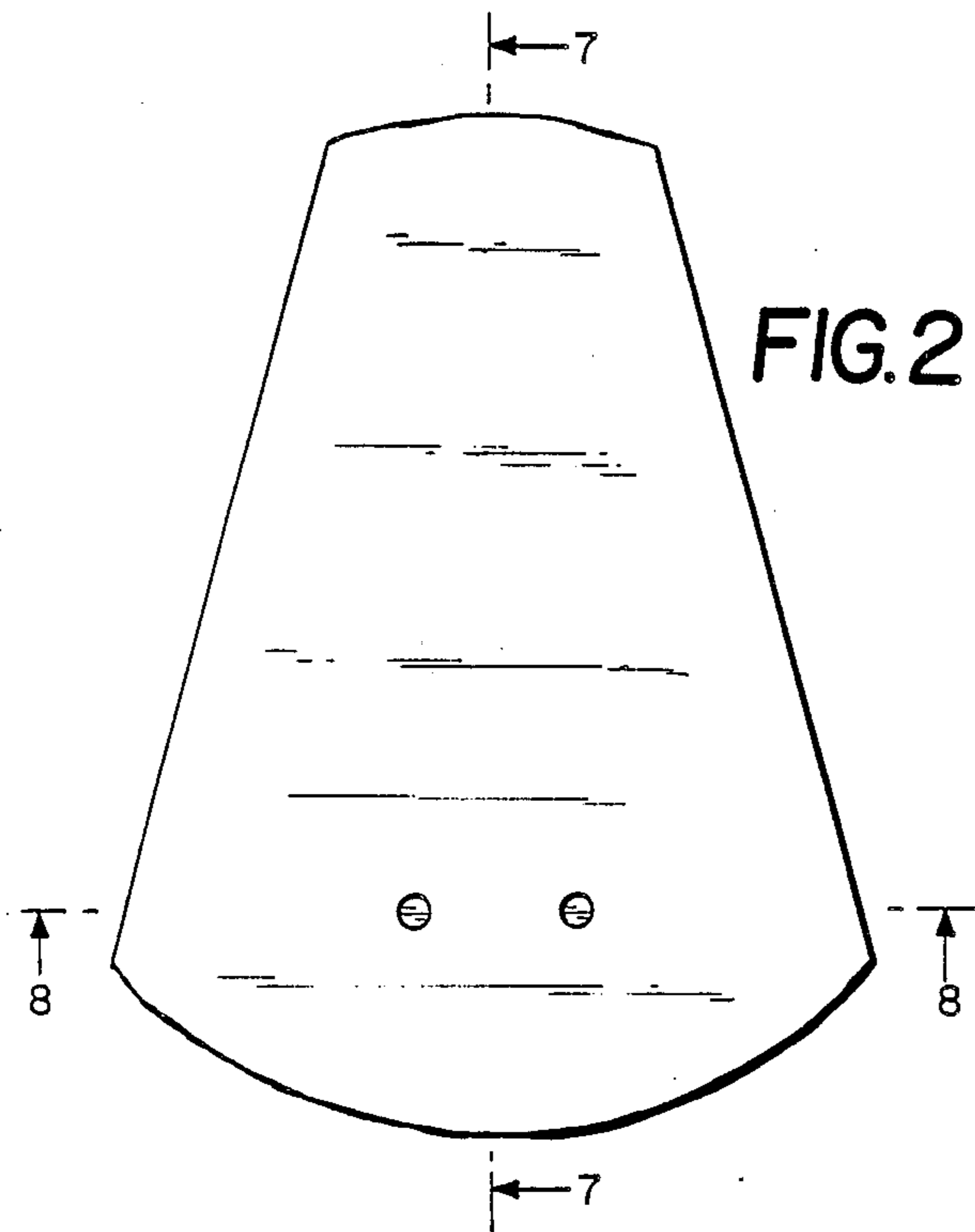


FIG. 2

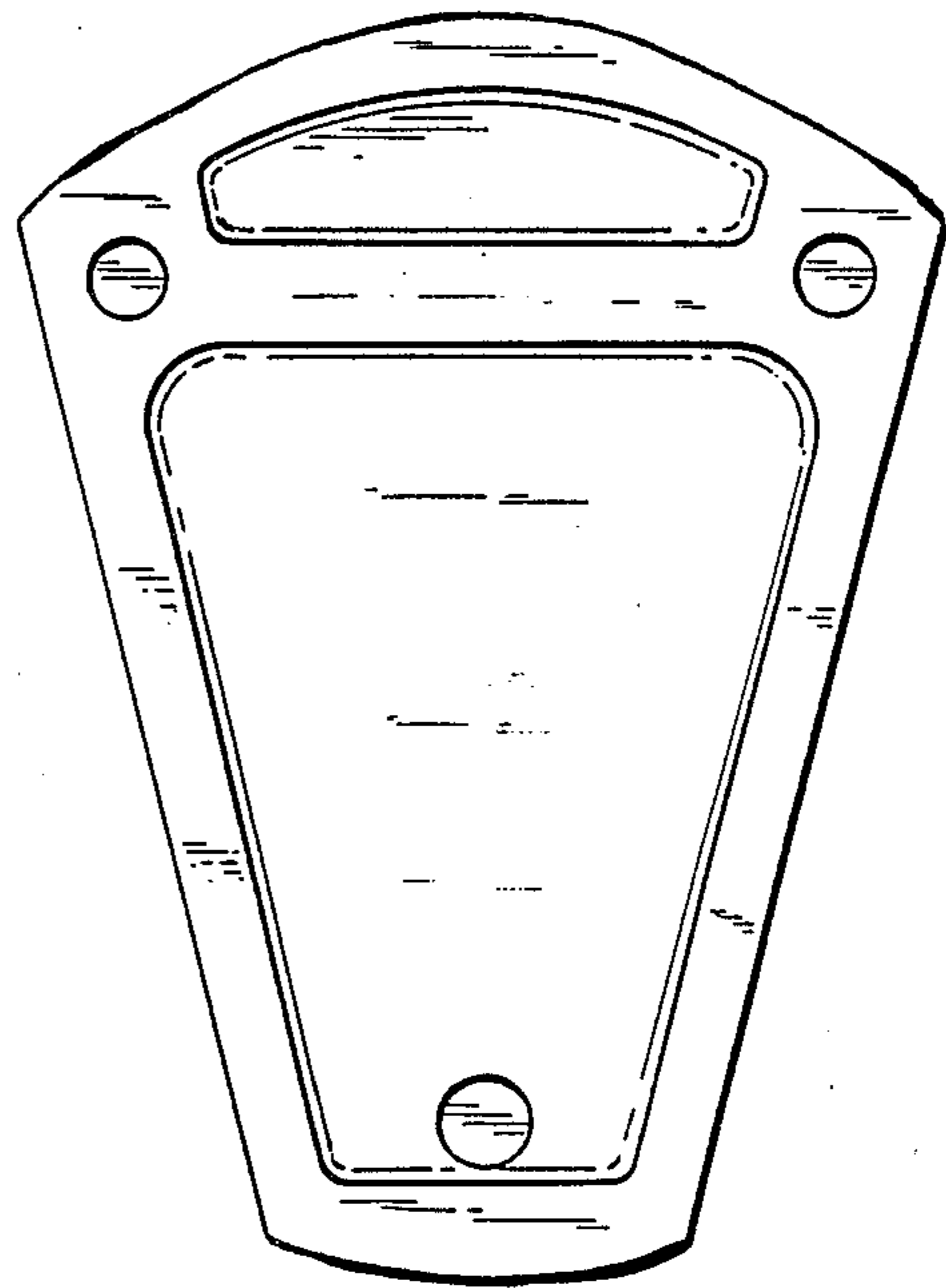


FIG. 3

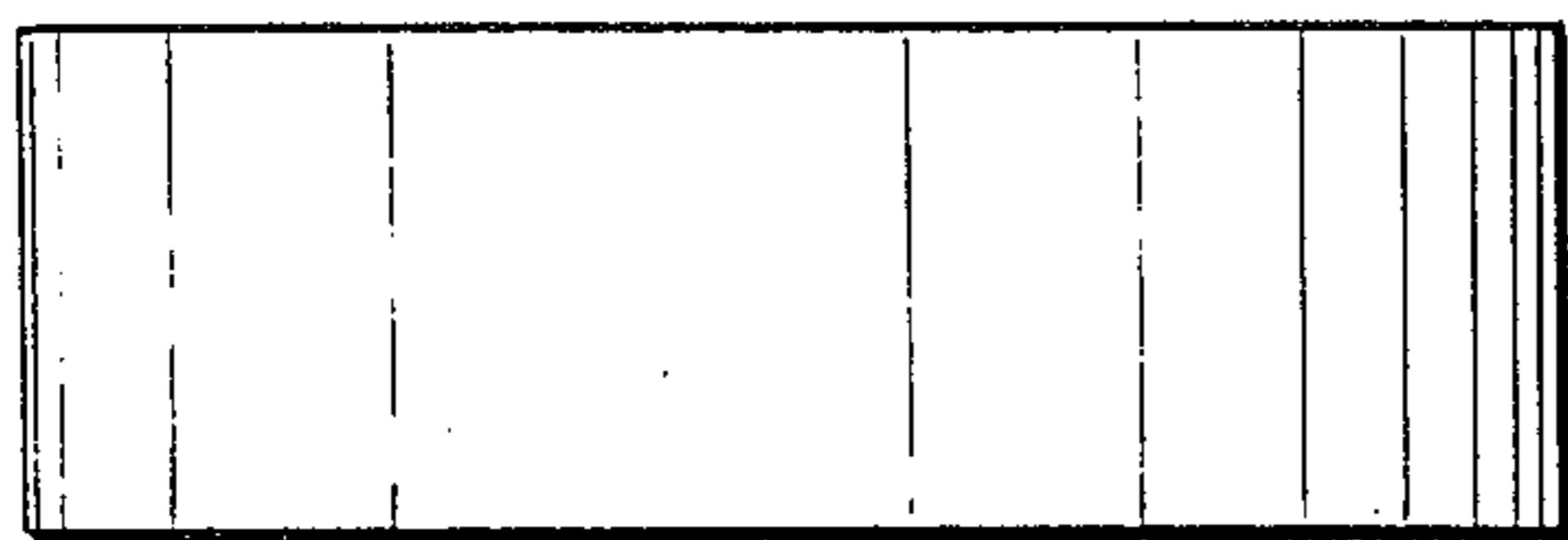


FIG. 4

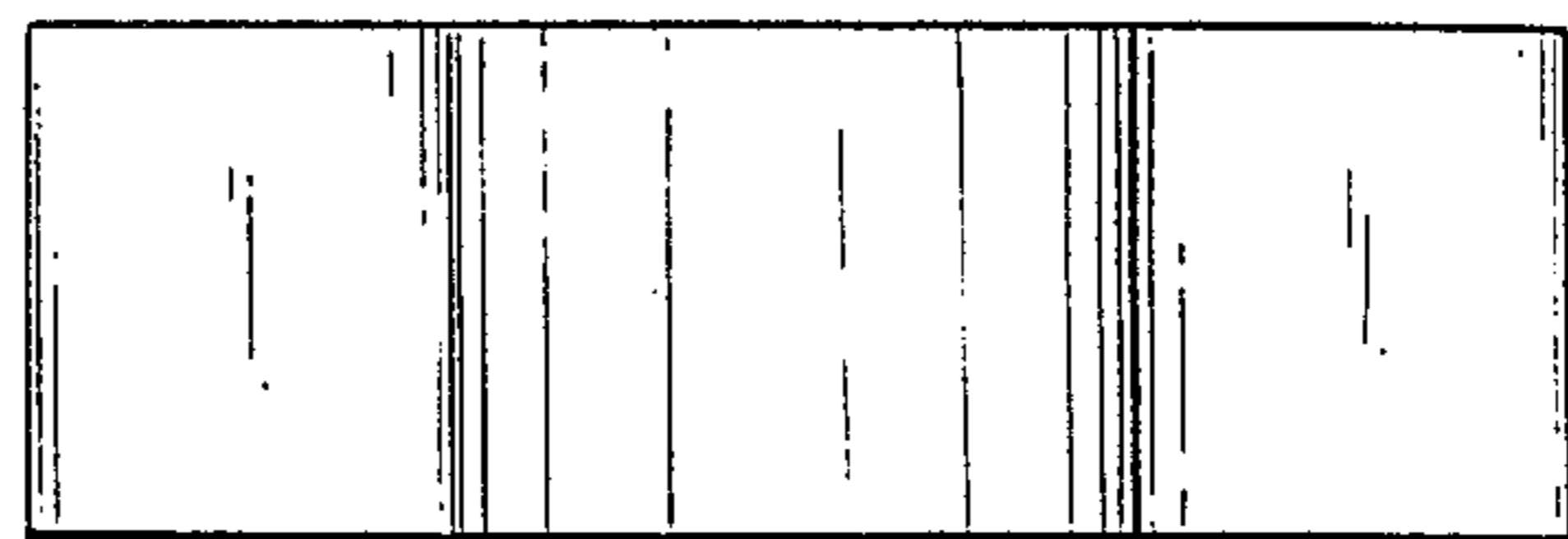


FIG. 5

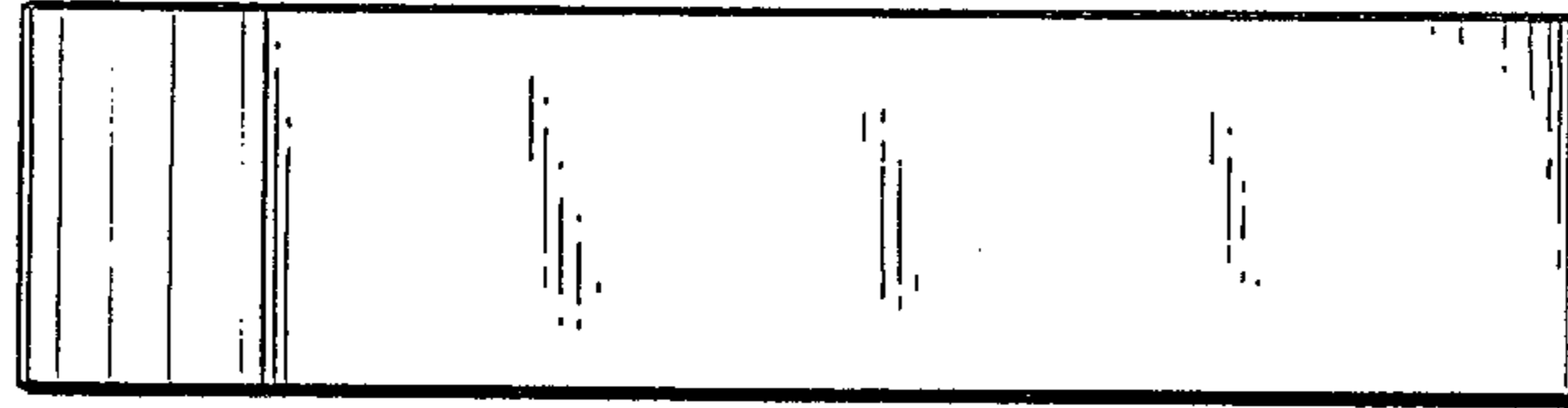


FIG. 6

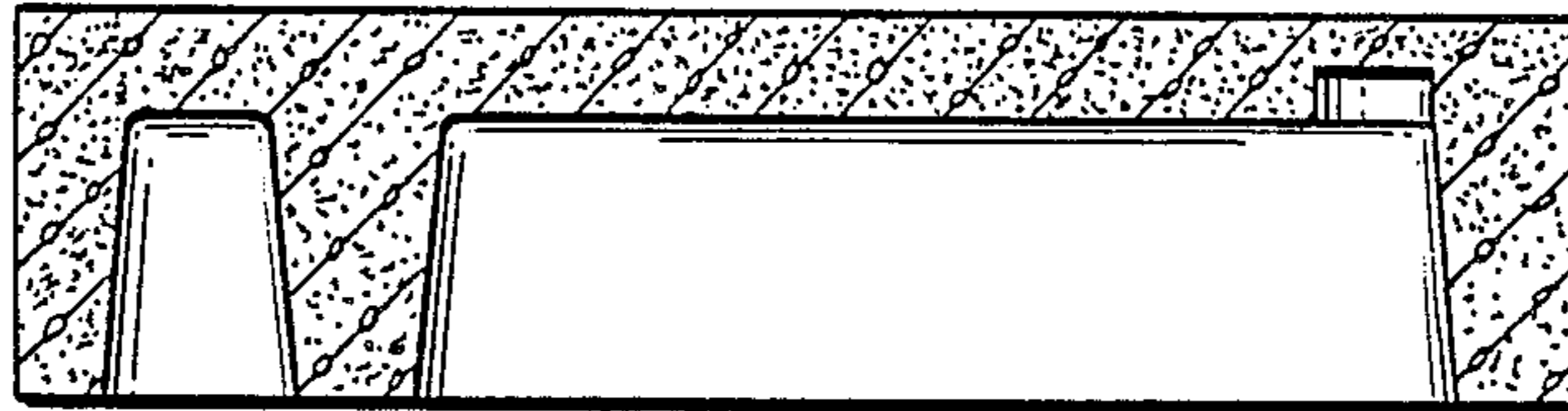


FIG. 7

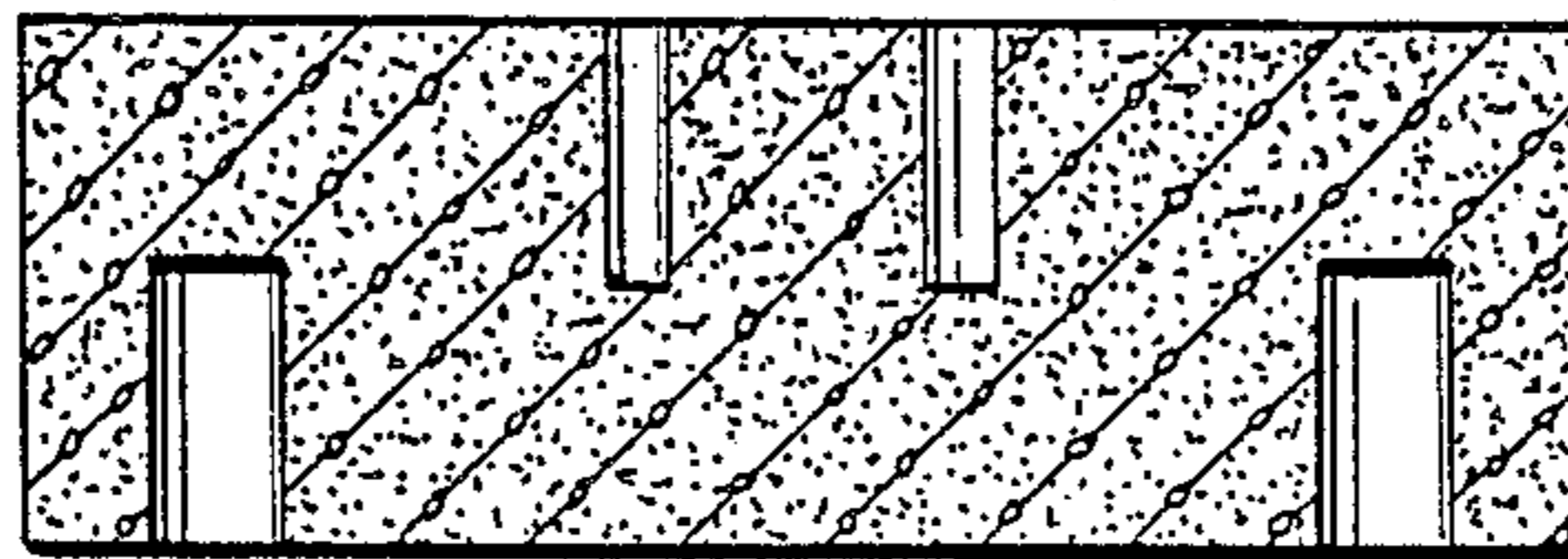


FIG. 8

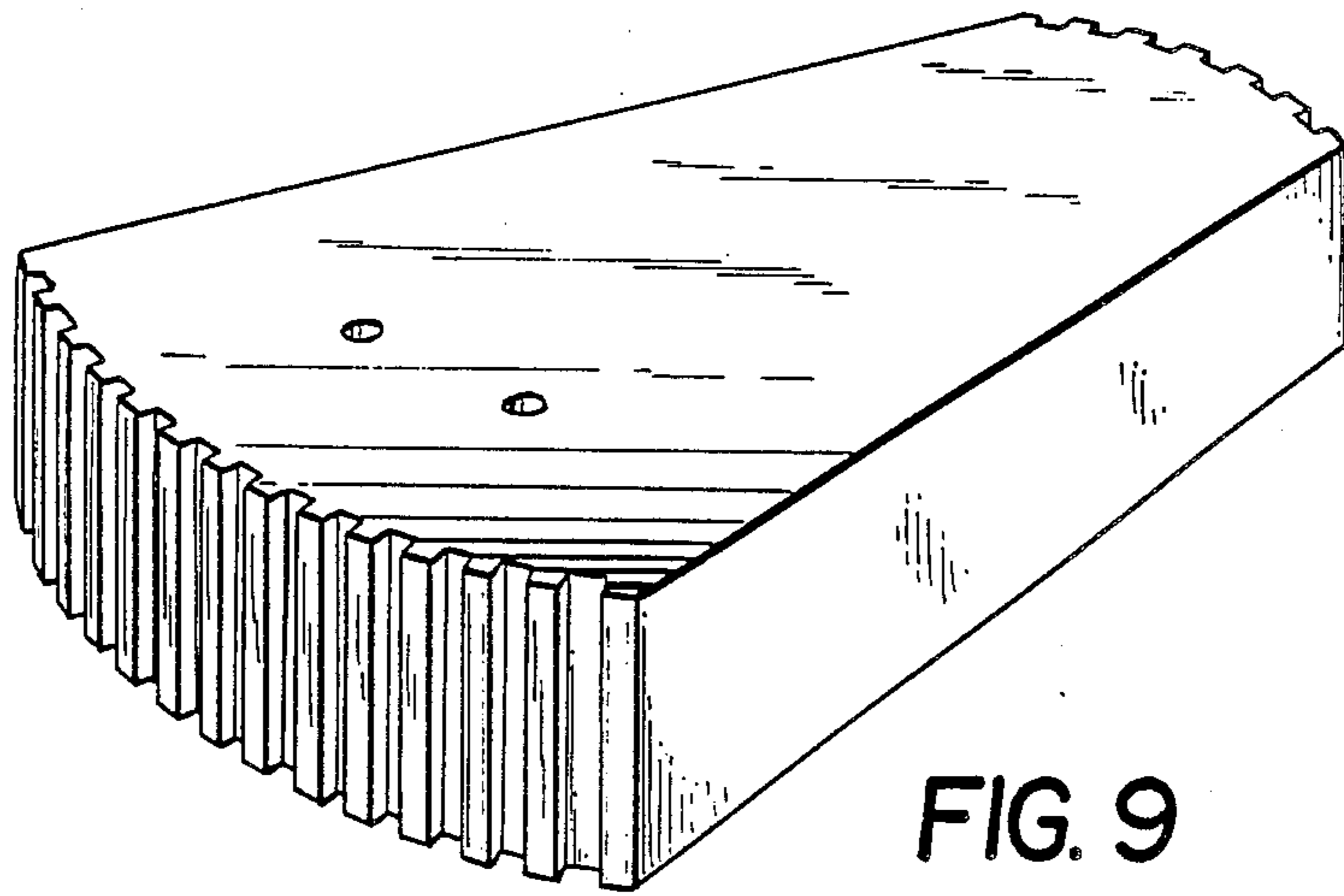


FIG. 9

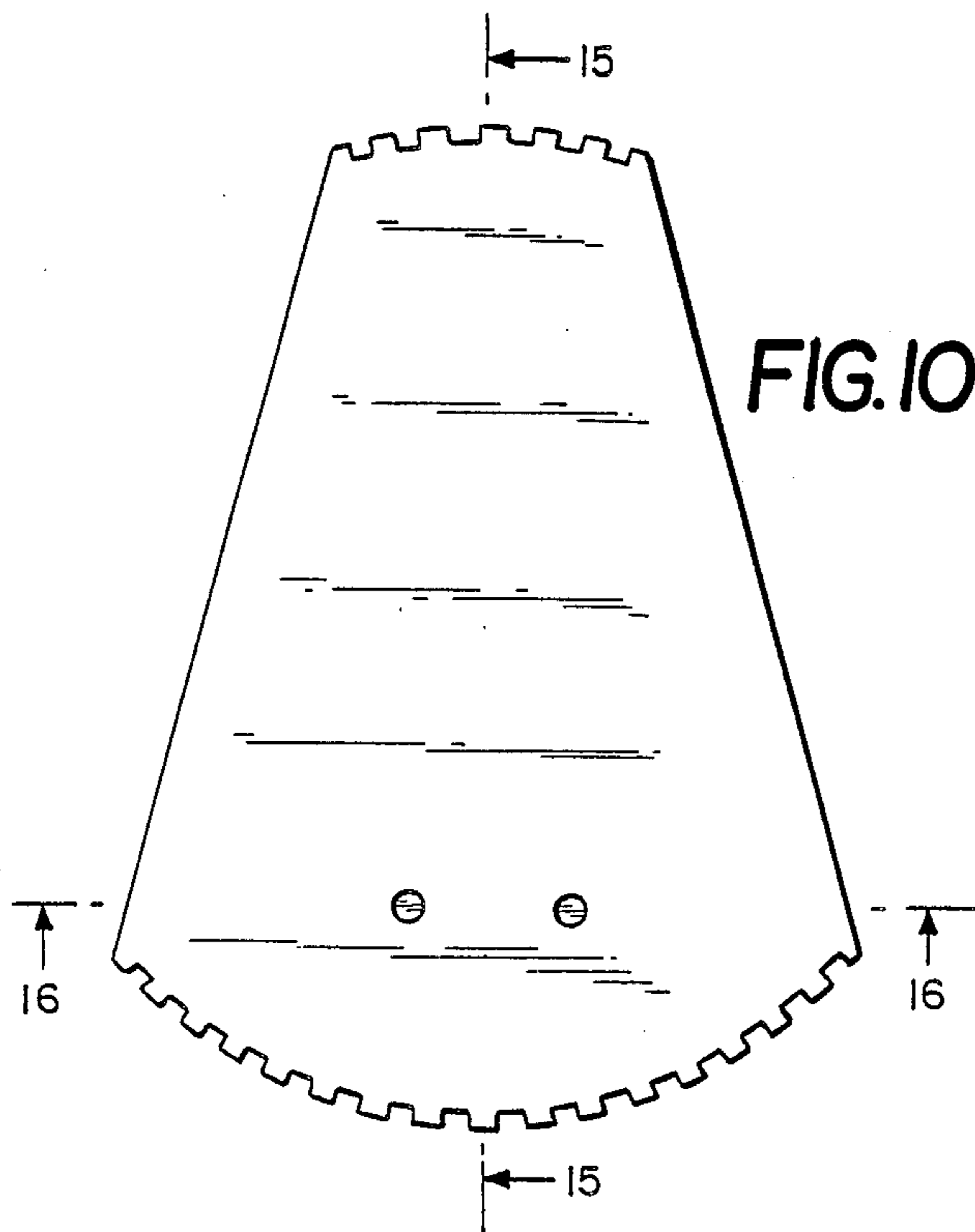


FIG. 10

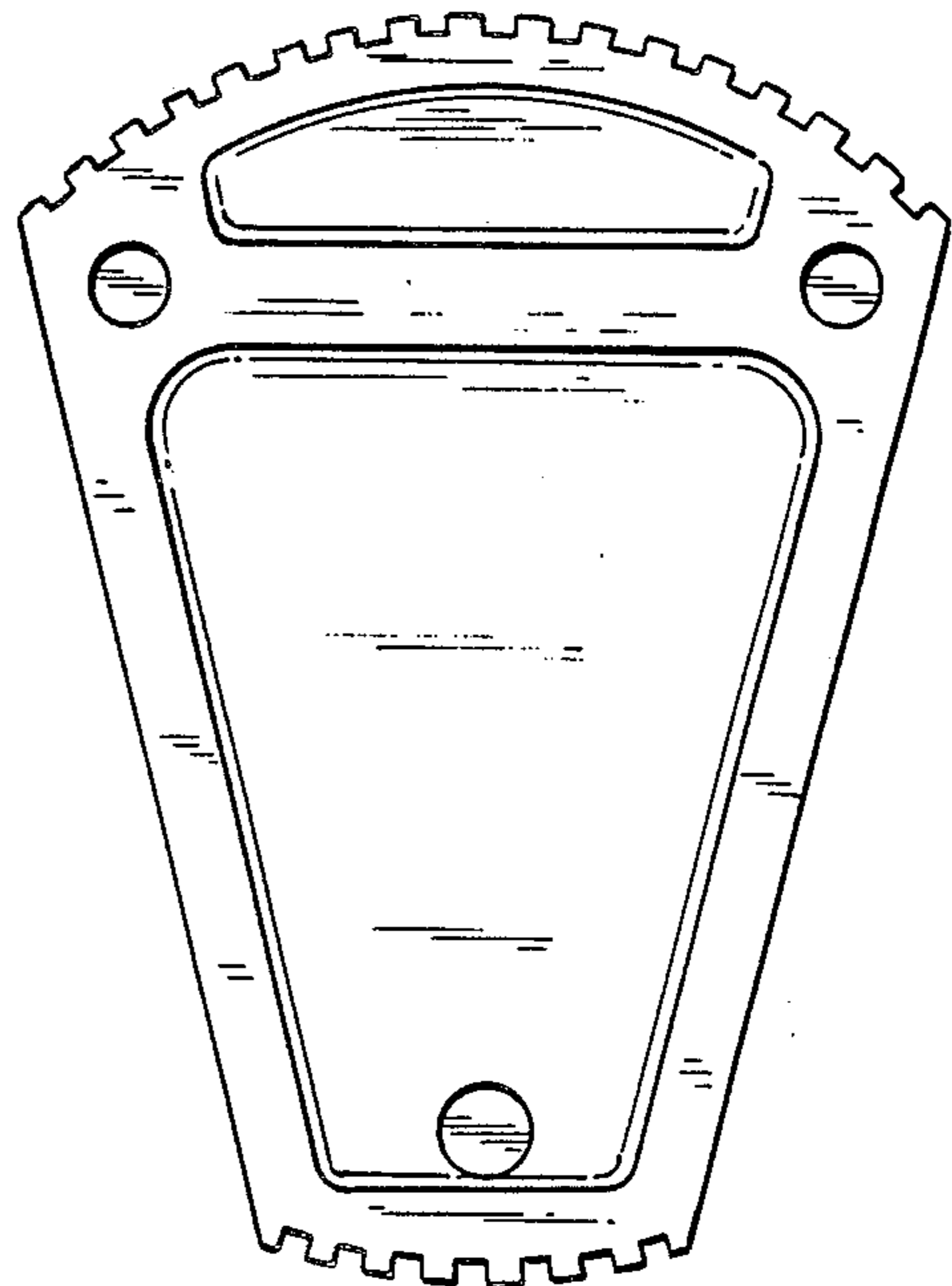


FIG. 11

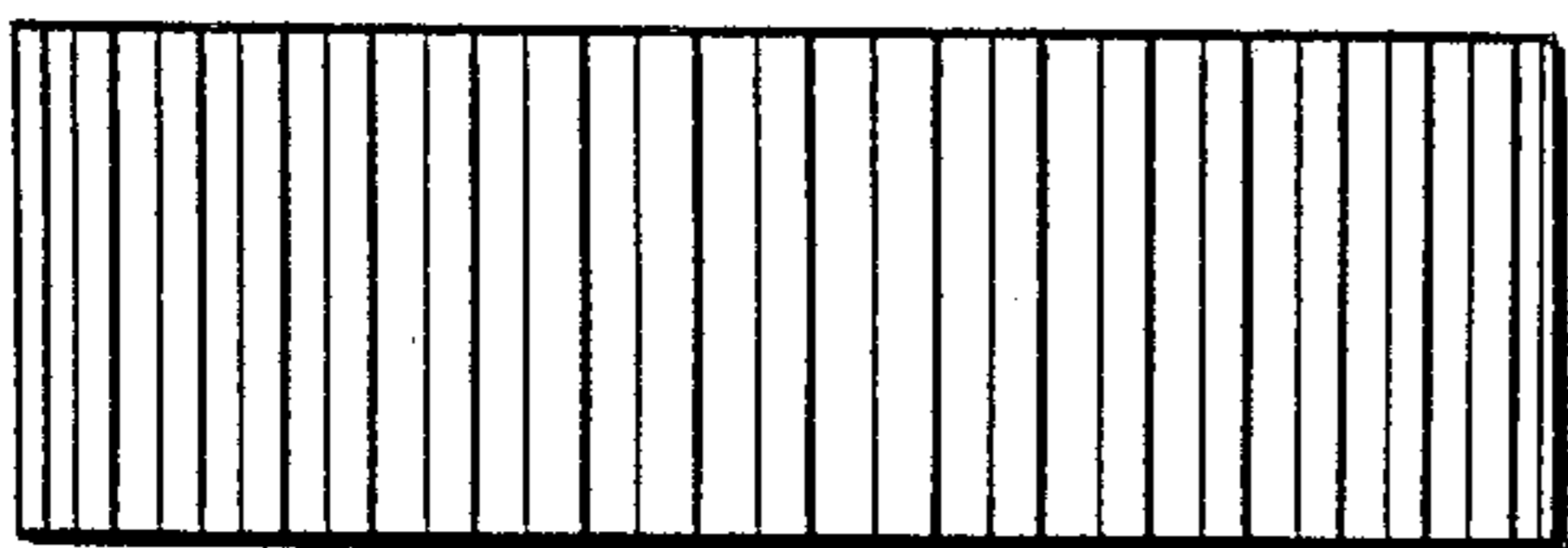


FIG. 12

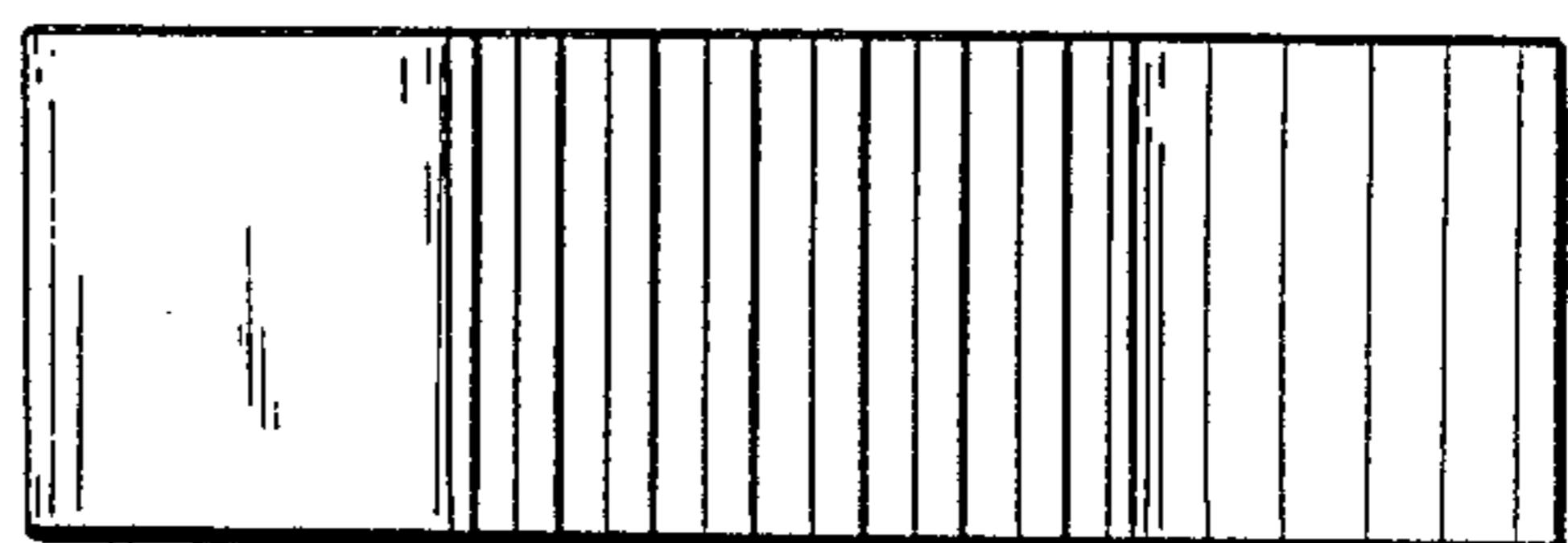


FIG. 13

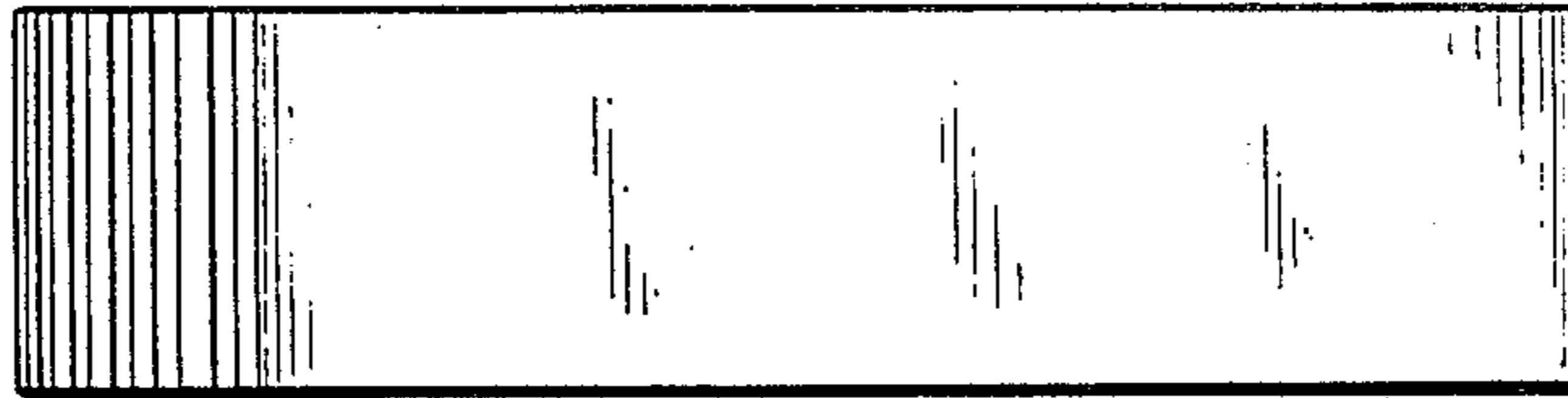


FIG. 14

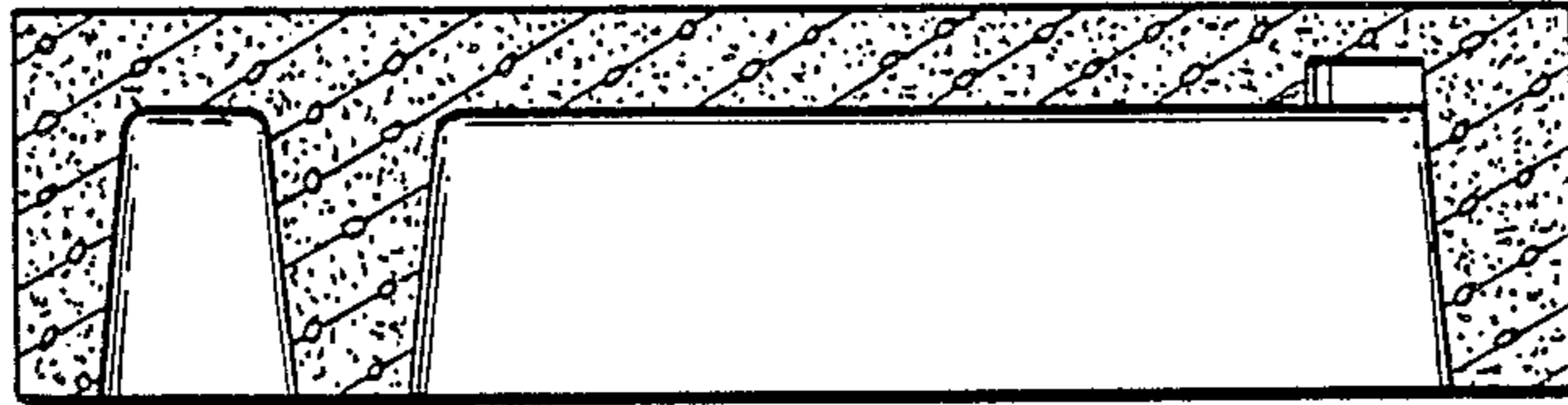


FIG. 15

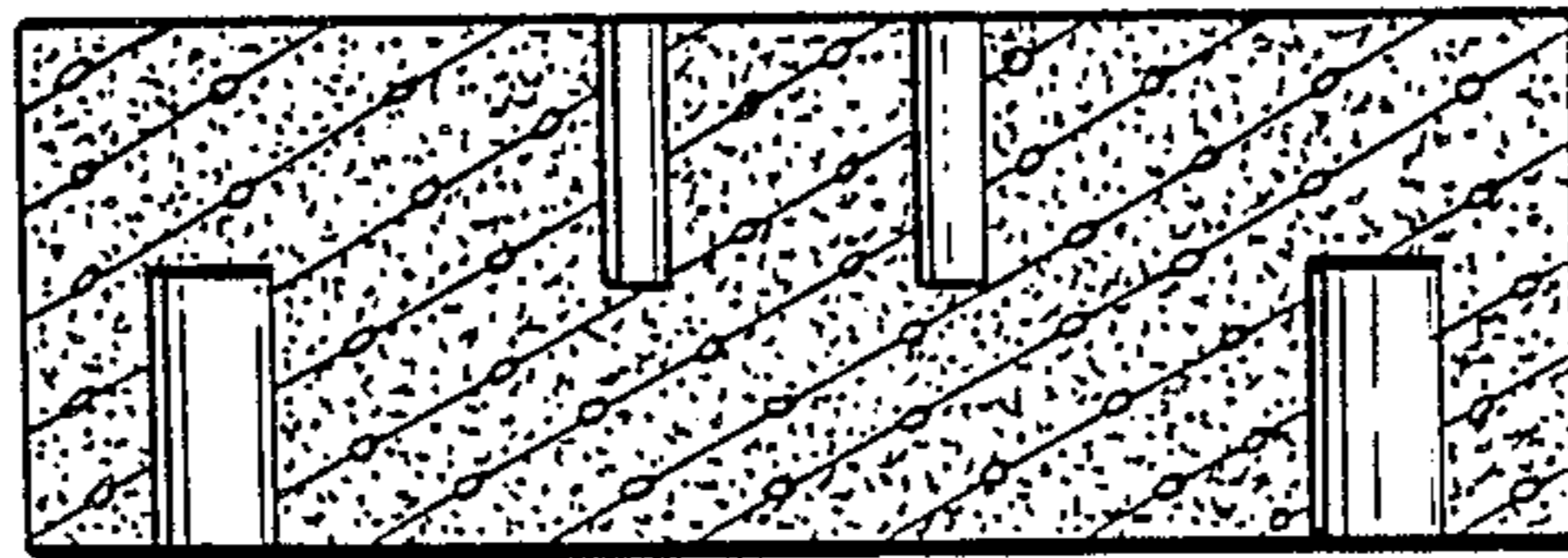


FIG. 16

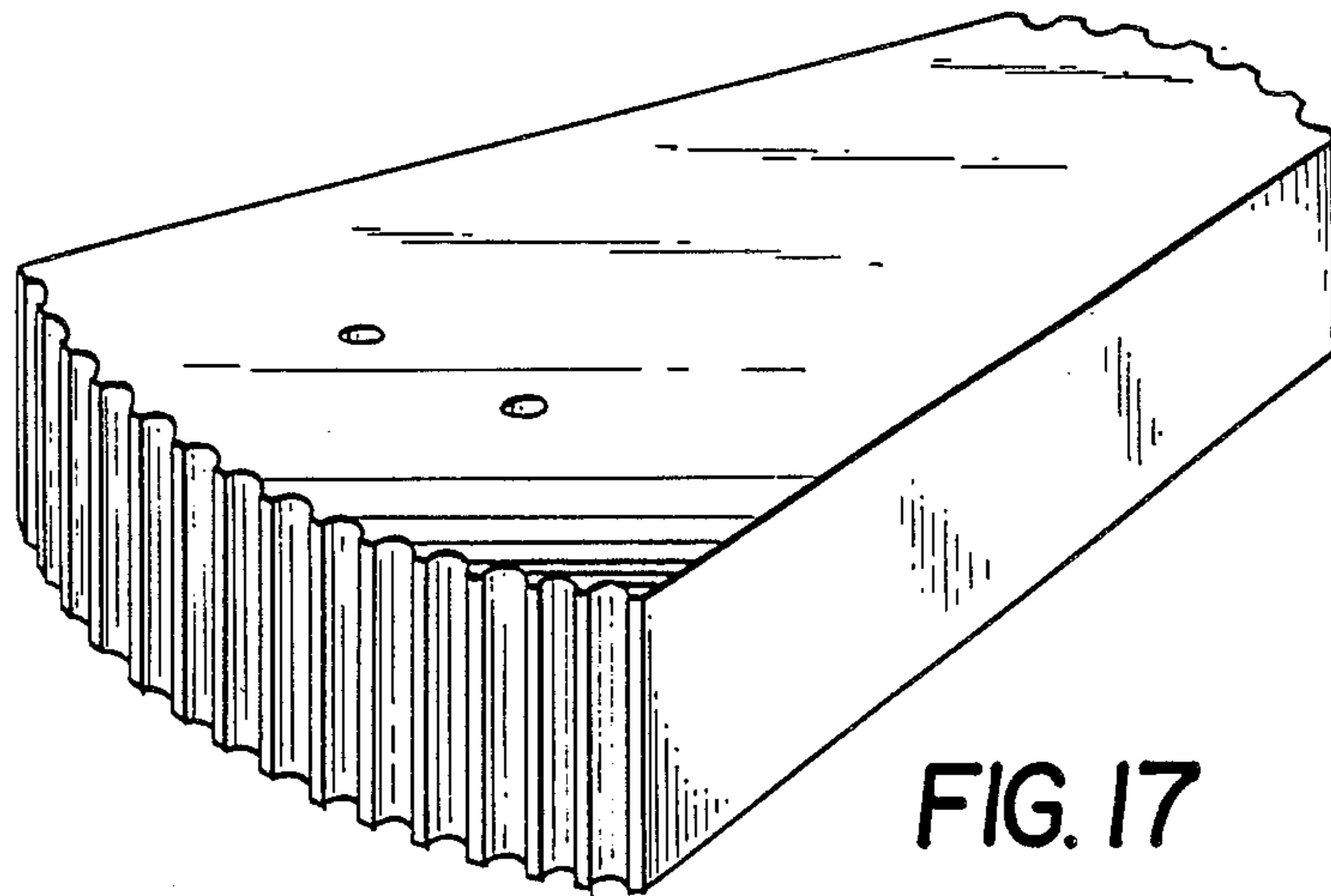


FIG. 17

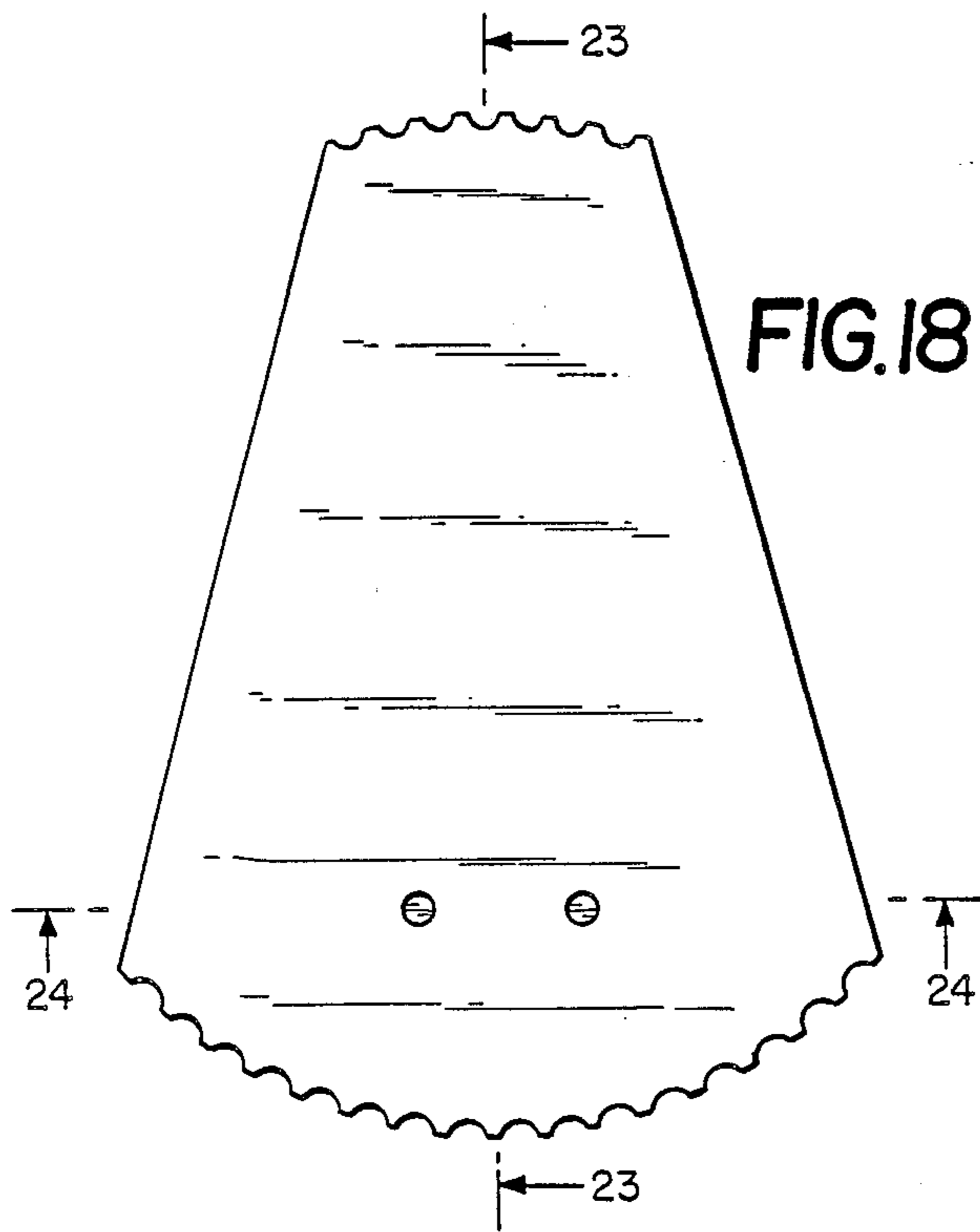


FIG. 18

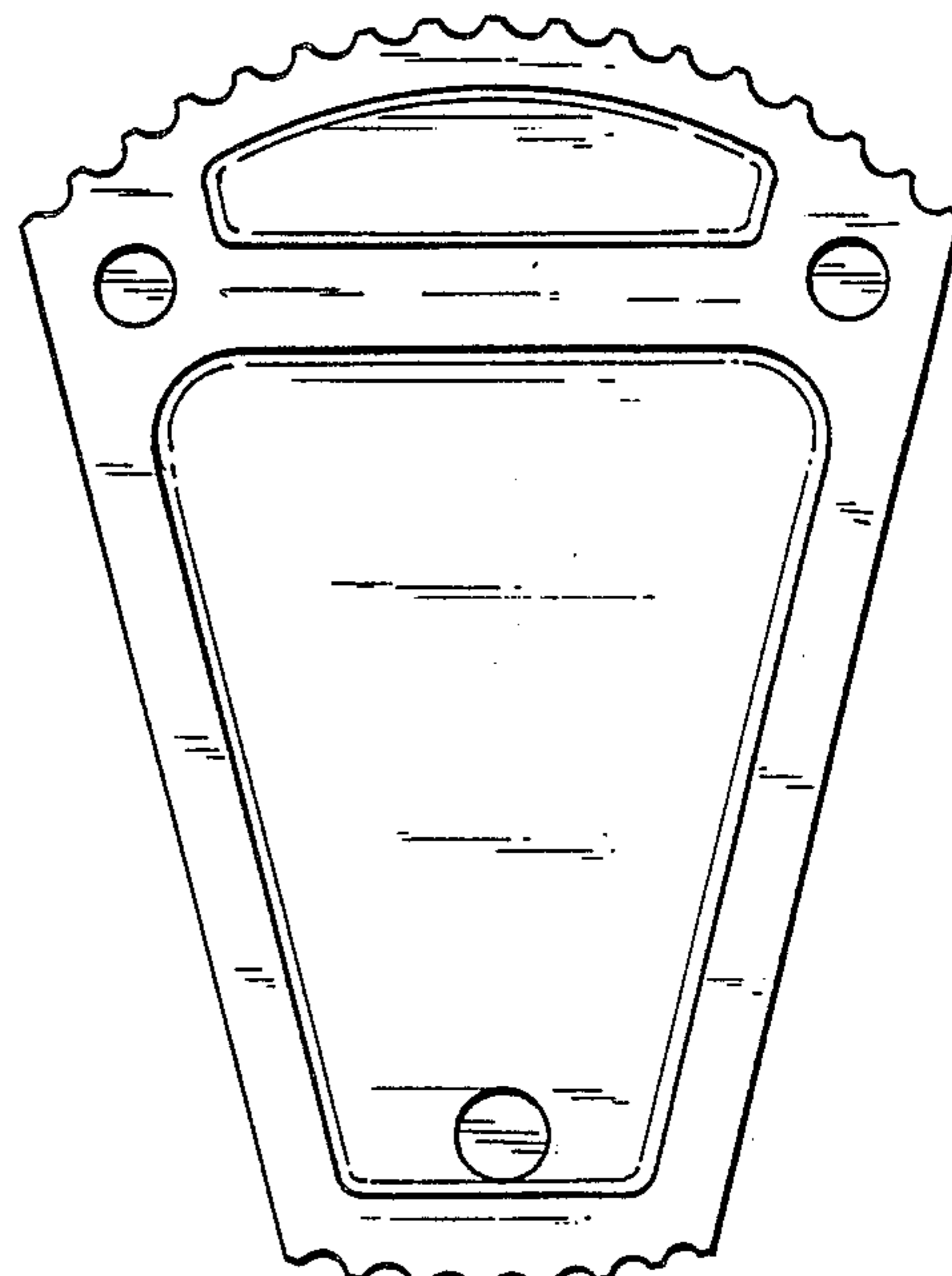


FIG. 19

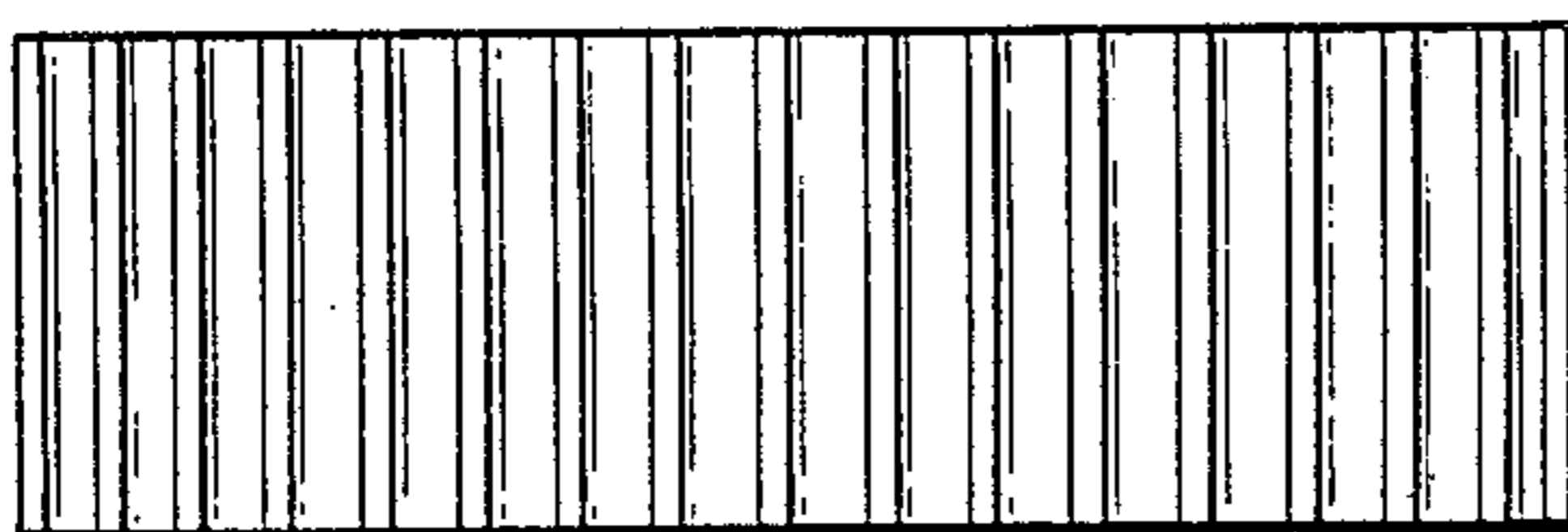


FIG. 20



FIG. 21

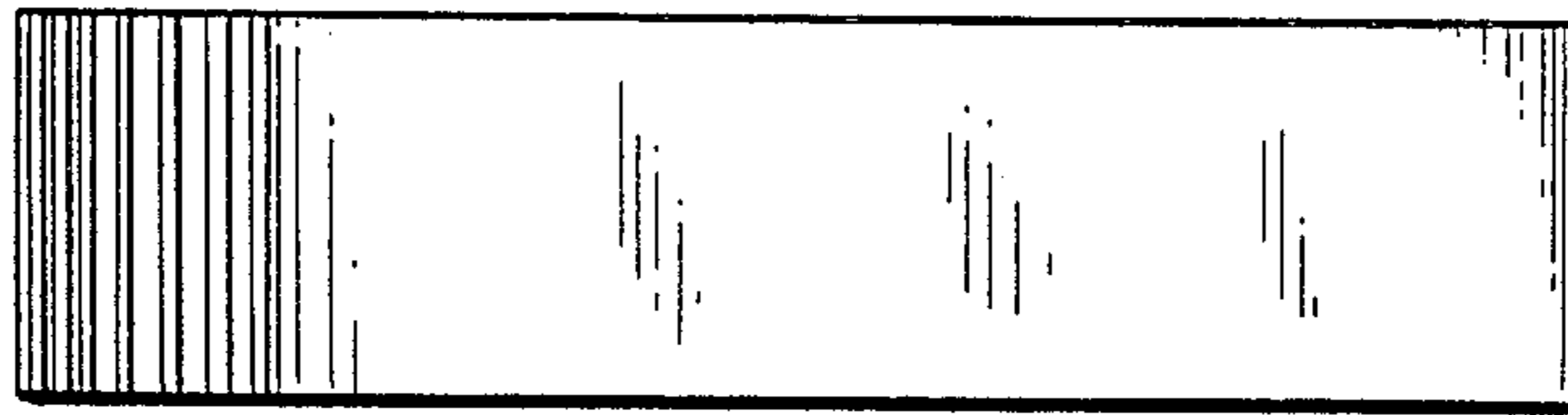


FIG. 22

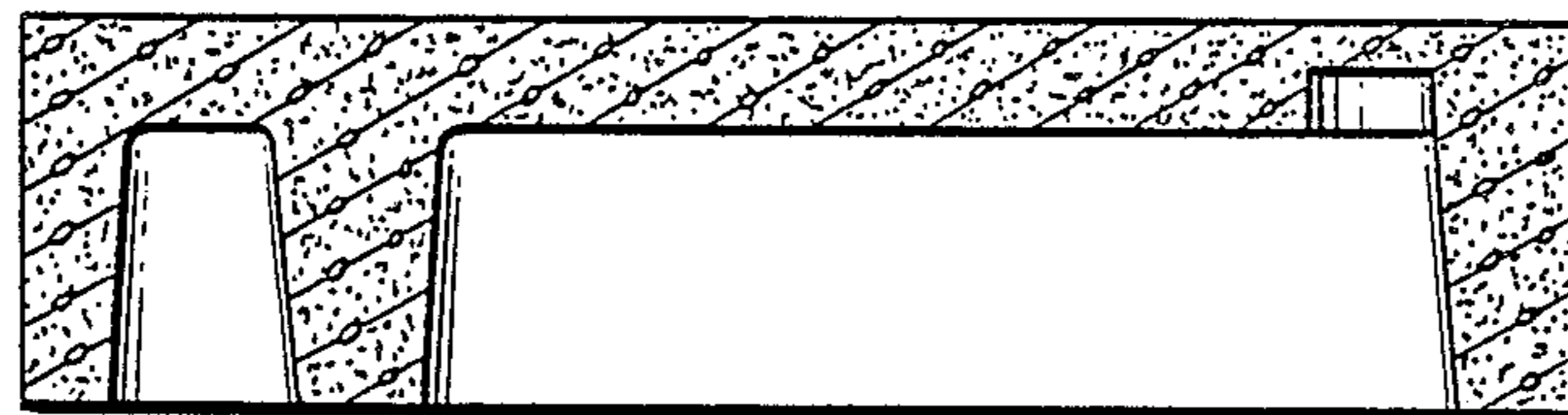


FIG. 23

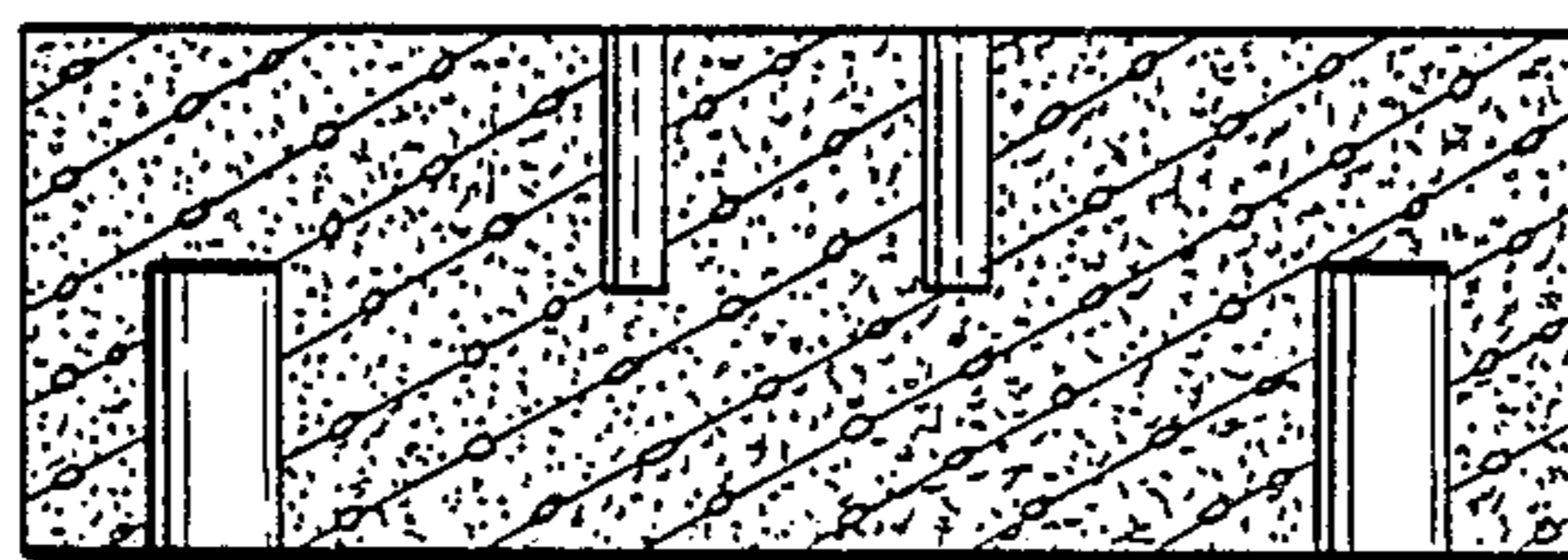


FIG. 24

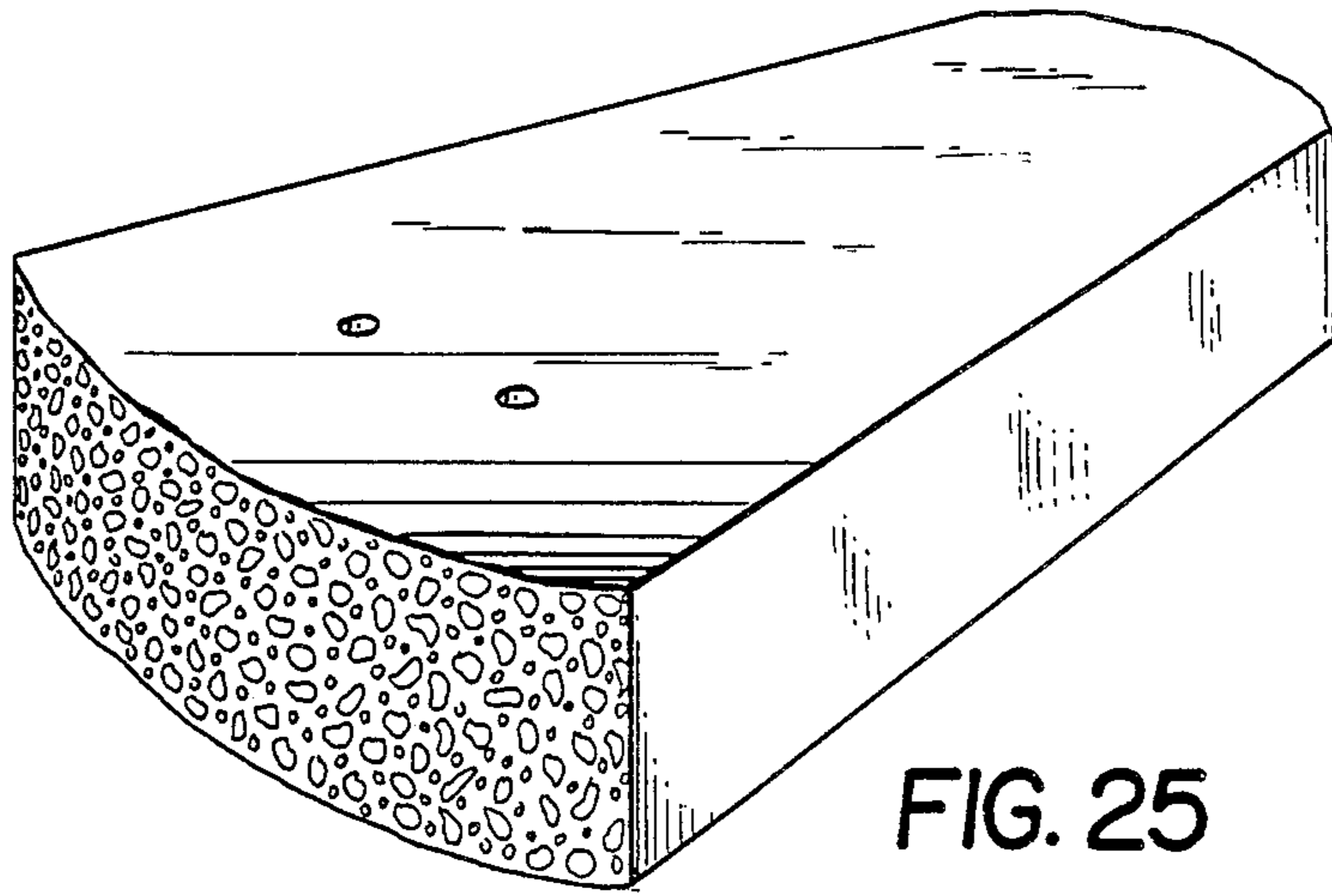


FIG. 25

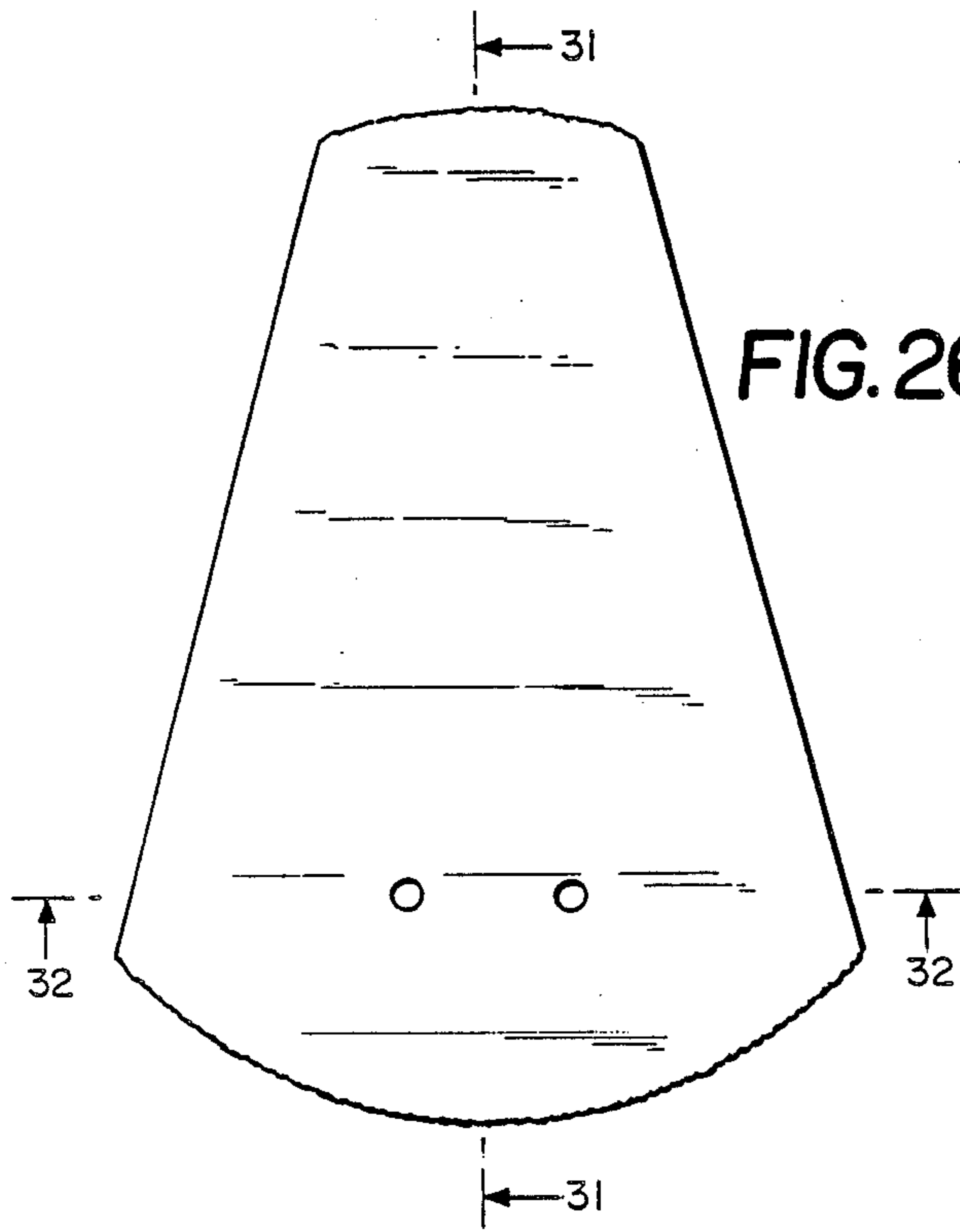


FIG. 26

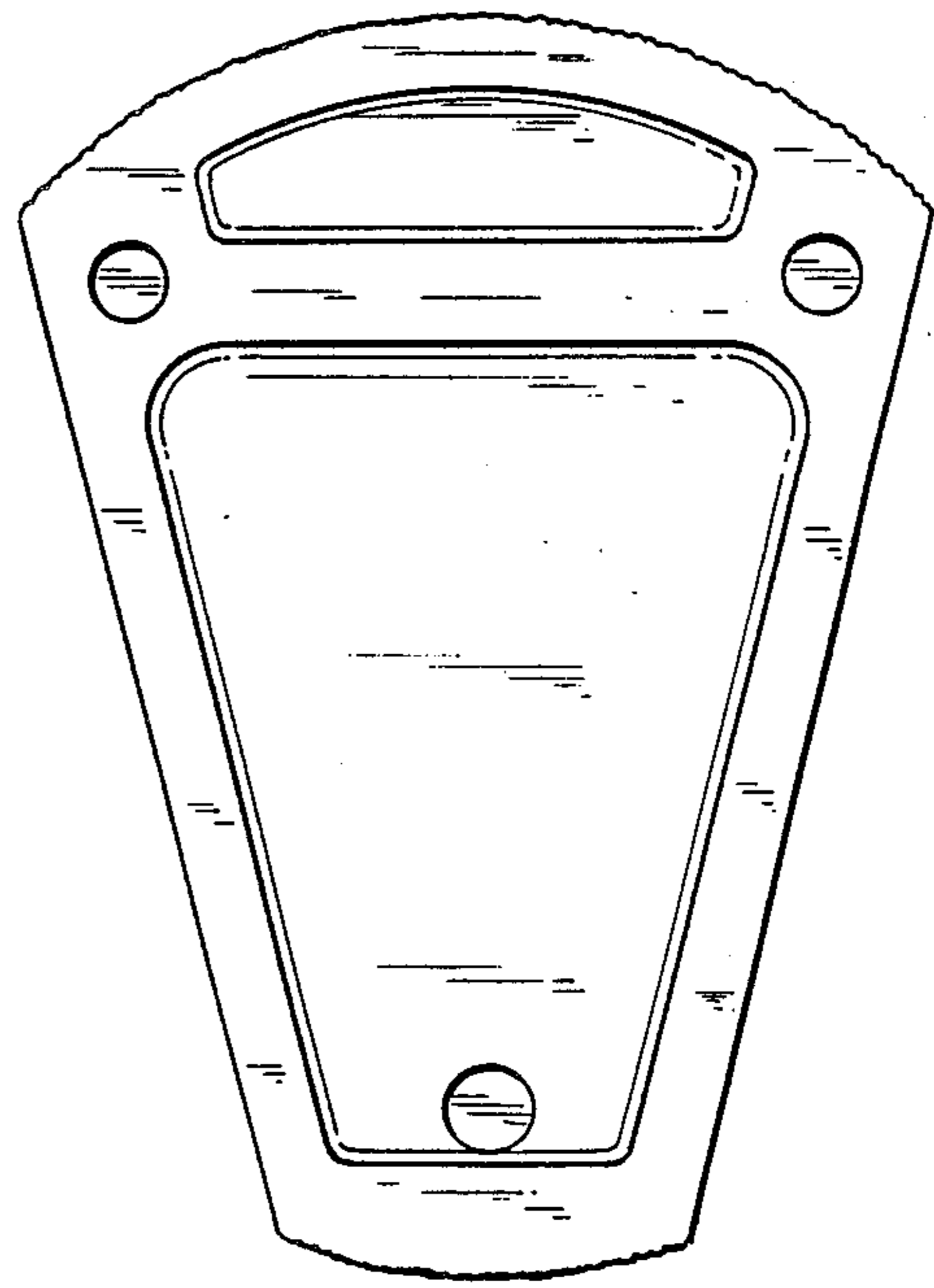


FIG. 27

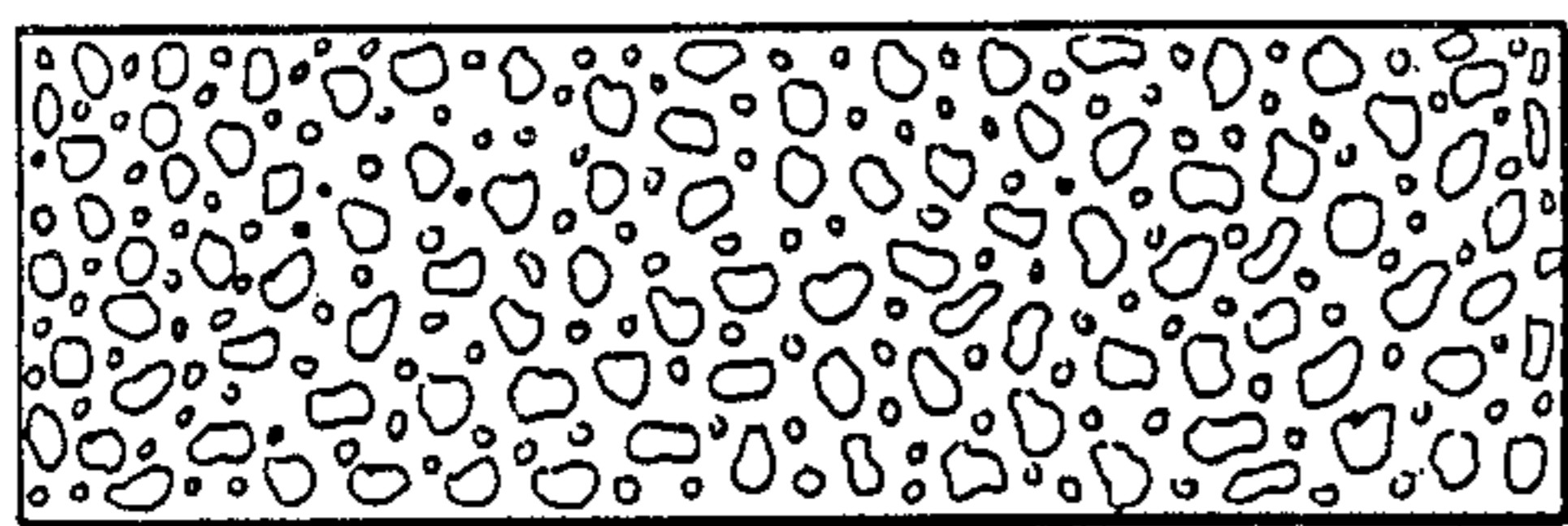


FIG. 28

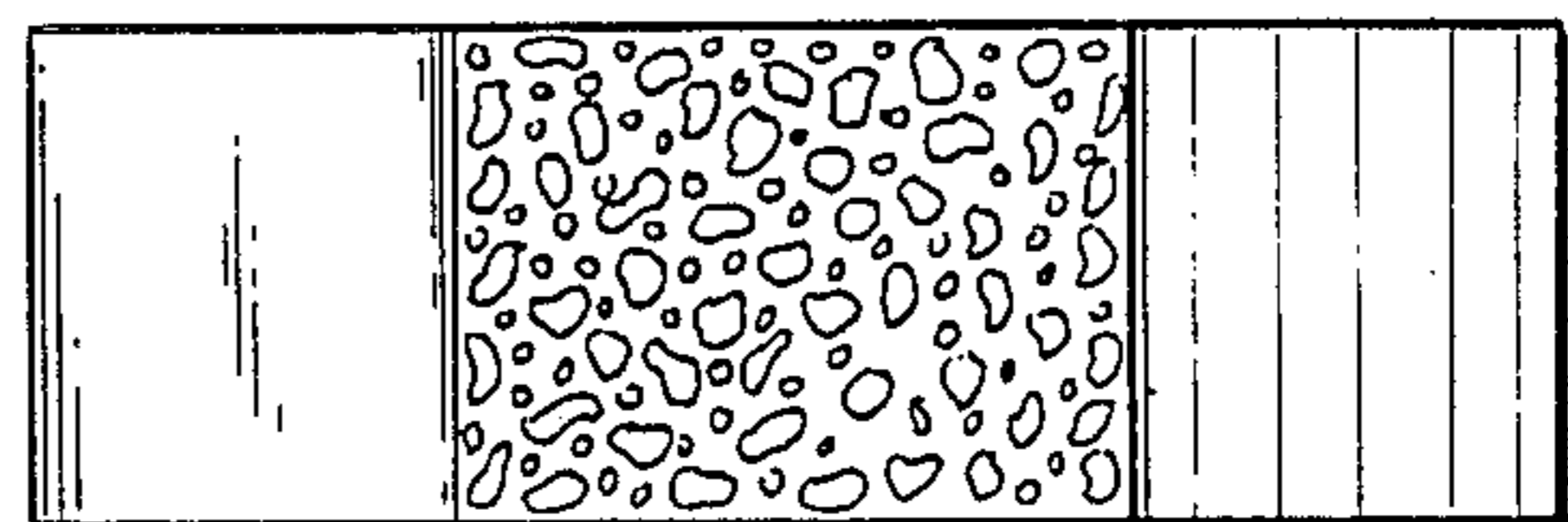


FIG. 29

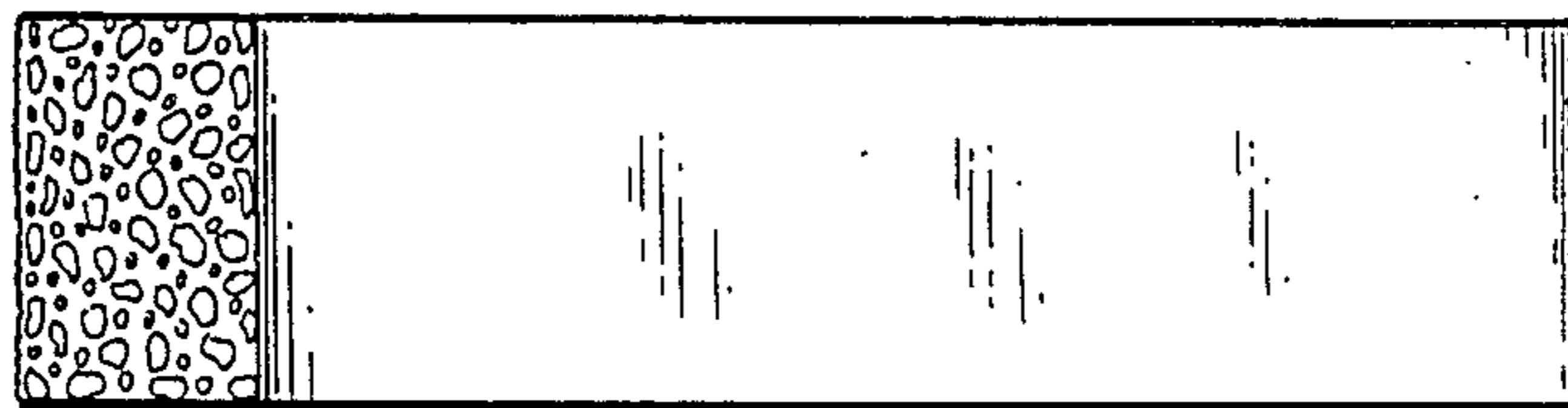


FIG. 30

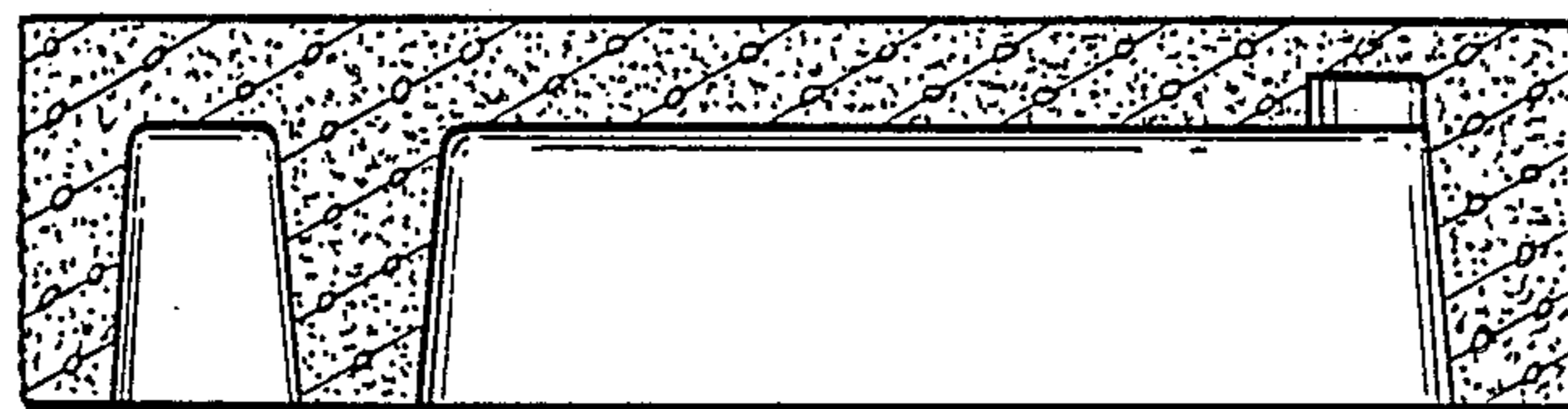


FIG. 31

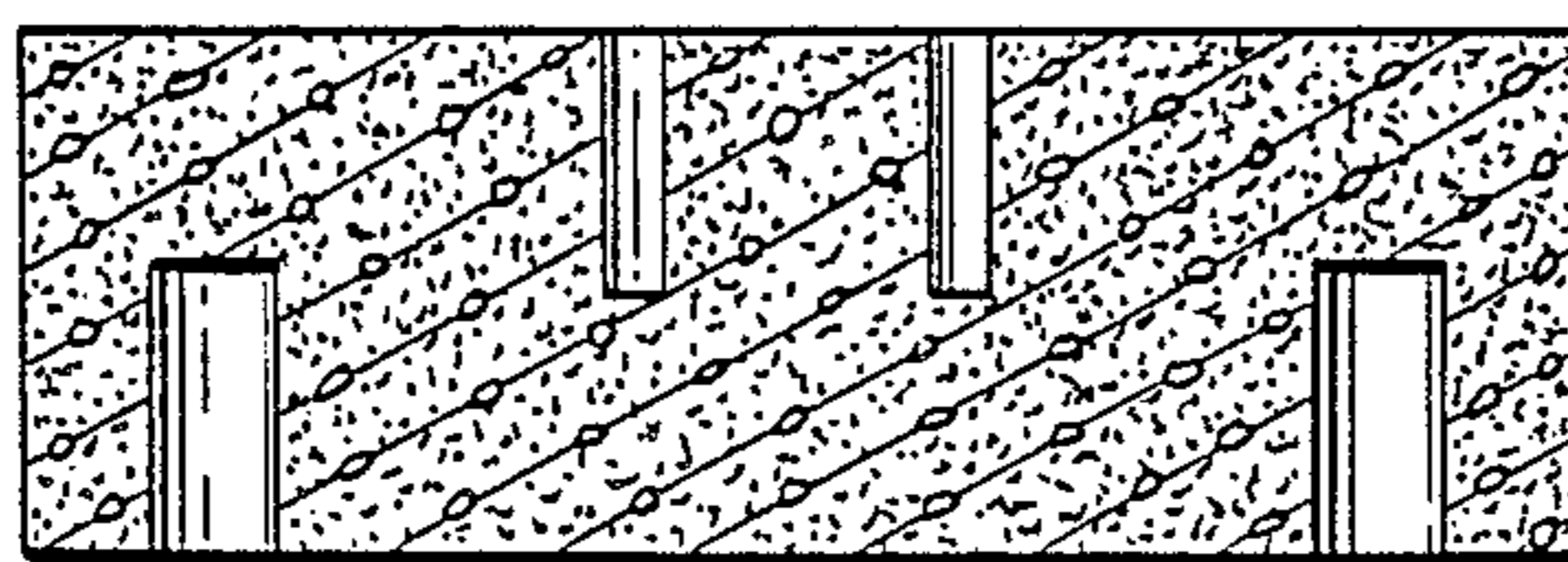


FIG. 32