

[54] DEFLECTOR FOR AN IMPULSE SPRINKLER

[75] Inventor: Stephen P. Whitehead, Elgin, Ill.

[73] Assignee: Suncoast Corporation, Batavia, Ill.

[**] Term: 14 Years

[21] Appl. No.: 213,981

[22] Filed: Jun. 29, 1988

[52] U.S. Cl. D23/214

[58] Field of Search D23/213-221; 239/200-206, 211, 230-233, 273, 275, 276, 505, 518-524, 556-557, 222.11, 222.13, 222.15, 222.17, 222.19, 222.21, 223, 288, 288.3, 288.5, 390-392, 443-444, 456, 468, 558, DIG. 1

[56] References Cited

U.S. PATENT DOCUMENTS

D. 276,174	10/1984	Chow et al.	D23/214
D. 282,768	2/1986	Christen et al.	D23/213
2,992,780	7/1961	Norland	239/222.13
3,009,651	11/1961	Wolf	239/222.13
3,204,873	7/1965	Senninger	239/230
4,497,441	2/1985	Chow	239/230
4,569,485	2/1986	Walto	239/456

OTHER PUBLICATIONS

Gilmour Catalog, Lawn & Garden Products 1983.

Primary Examiner—Susan J. Lucas

Assistant Examiner—M. H. Tung

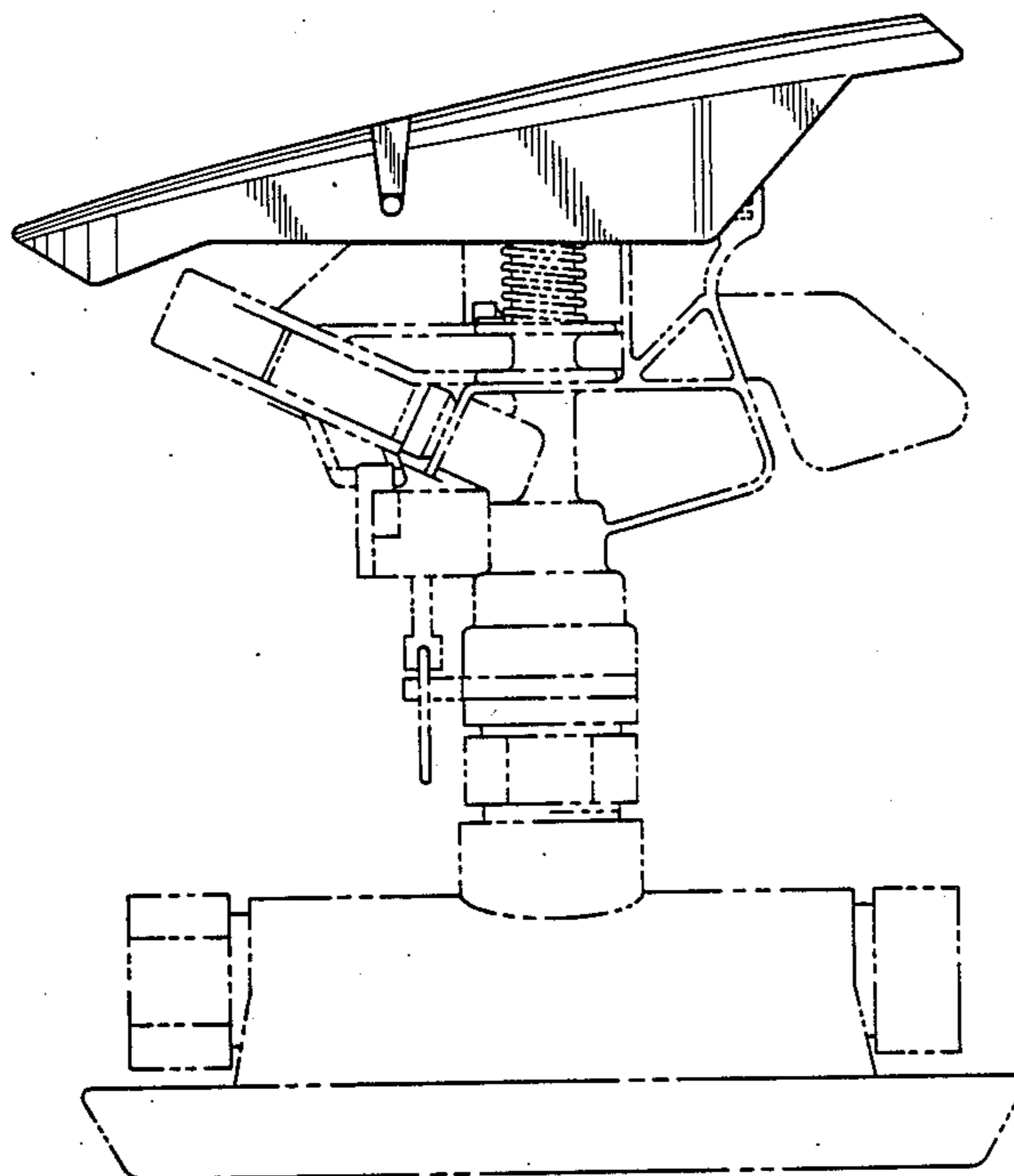
Attorney, Agent, or Firm—Fitch, Even, Tabin & Flannery

CLAIM

The ornamental design for a deflector for an impulse sprinkler, as shown and described.

DESCRIPTION

FIG. 1 is a top, left, front perspective view of a deflector for an impulse sprinkler showing my new design; FIG. 2 is a top plan view thereof, on an enlarged scale; FIG. 3 is a left side elevational view thereof on an enlarged scale, the right side being a mirror image; FIG. 4 is a bottom view thereof, on an enlarged scale; FIG. 5 is a front elevational view thereof, on an enlarged scale; FIG. 6 is a rear elevational thereof, on an enlarged scale; and FIG. 7 is a left side elevational view thereof, on an enlarged scale the broken lines of an impulse sprinkler are shown for illustrative purposes only and form no part of the claimed design.



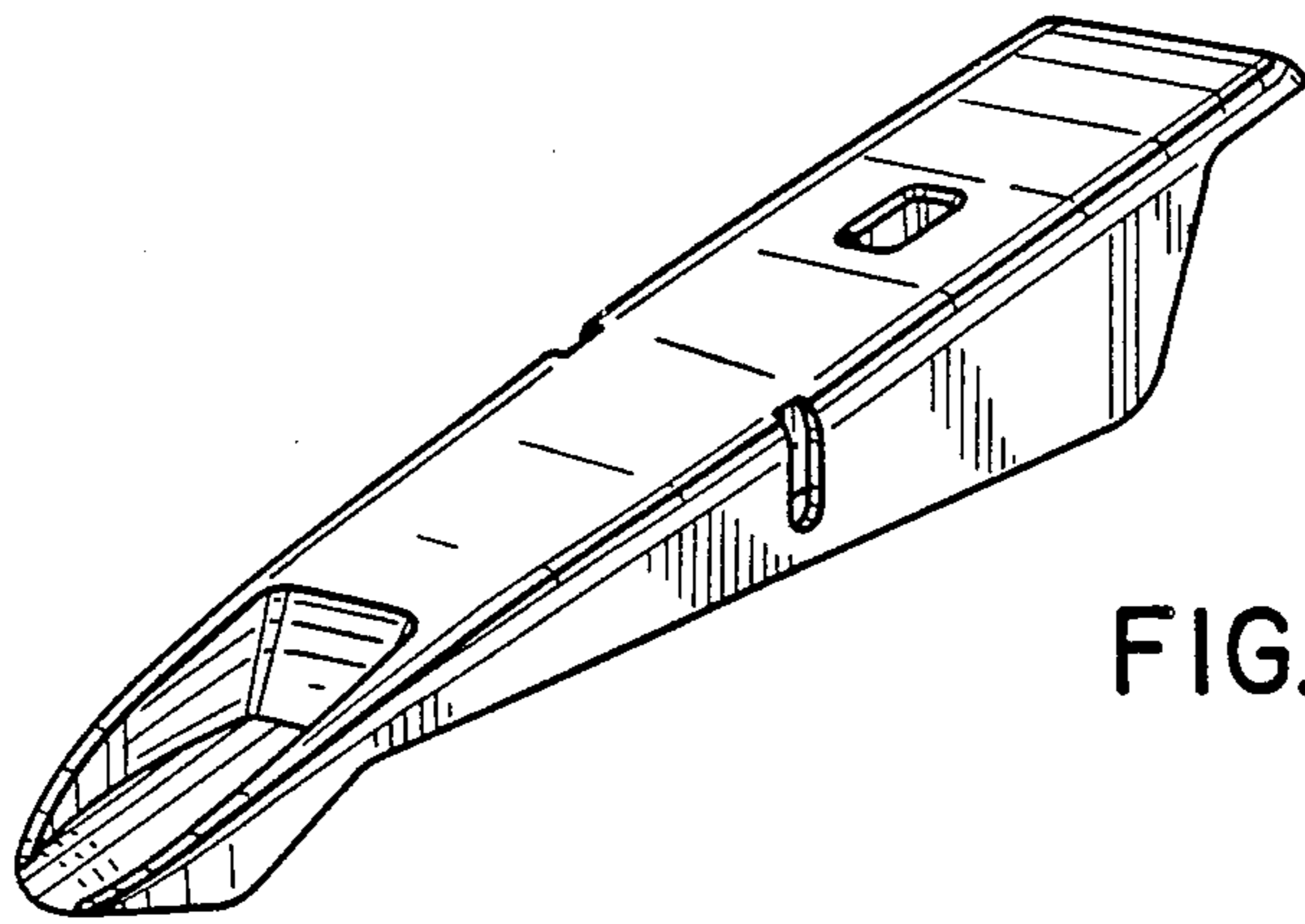


FIG. 1

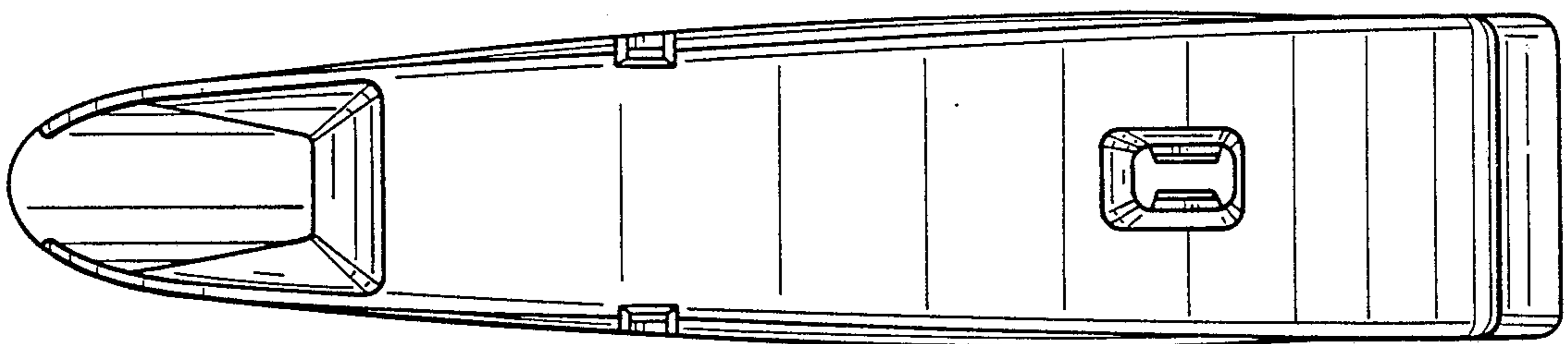


FIG. 2

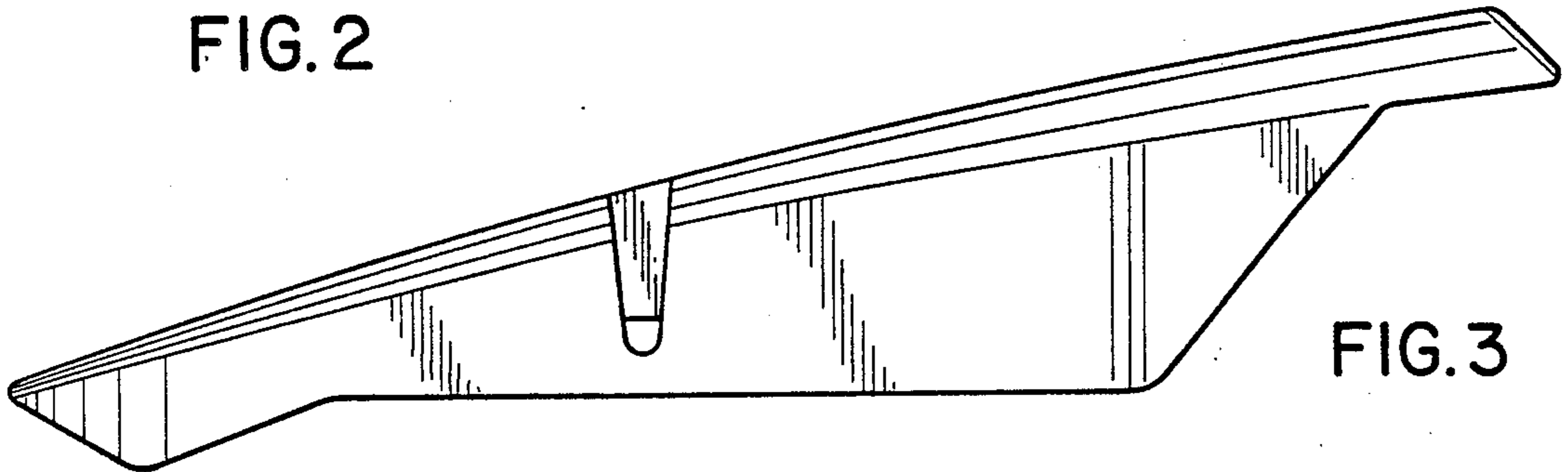


FIG. 3

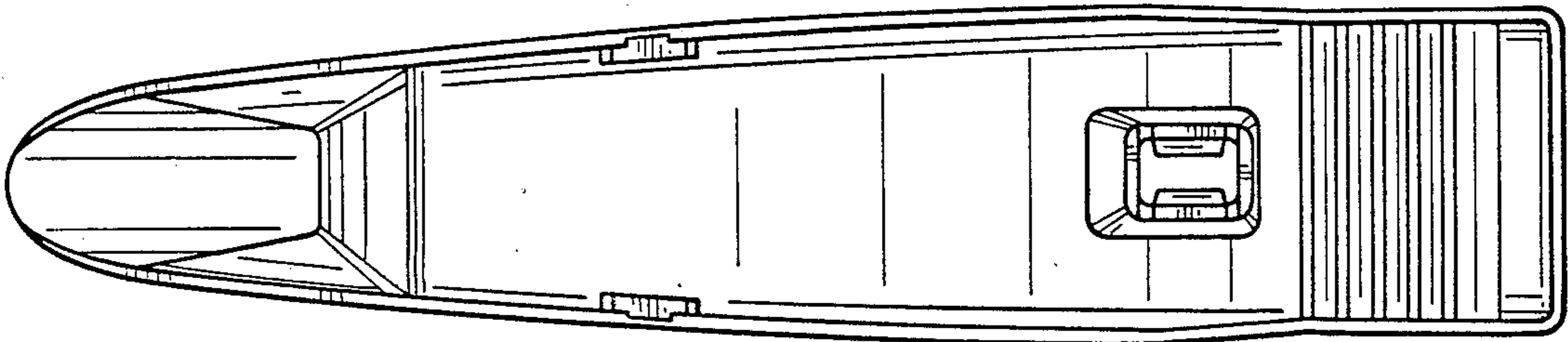


FIG. 4

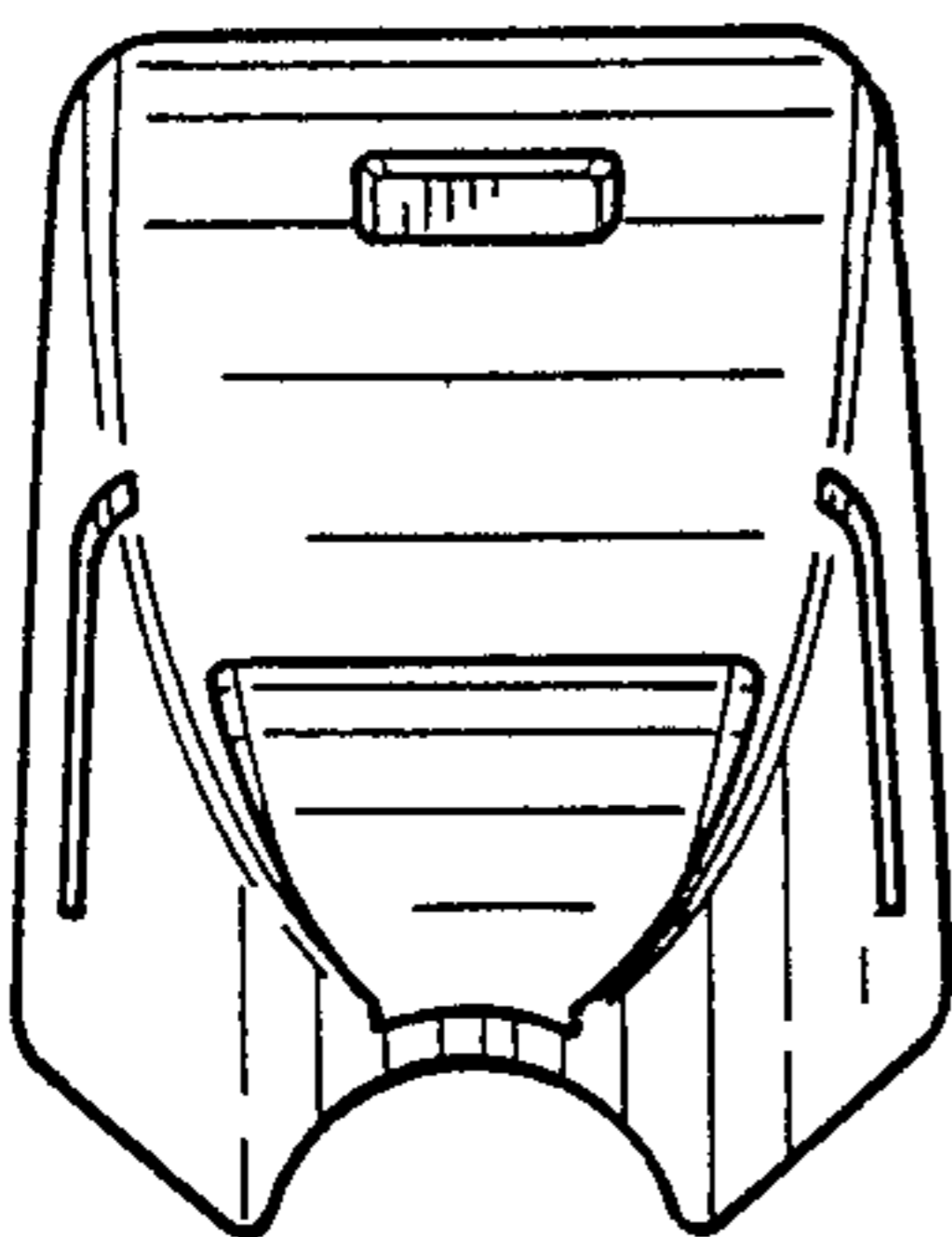


FIG. 5

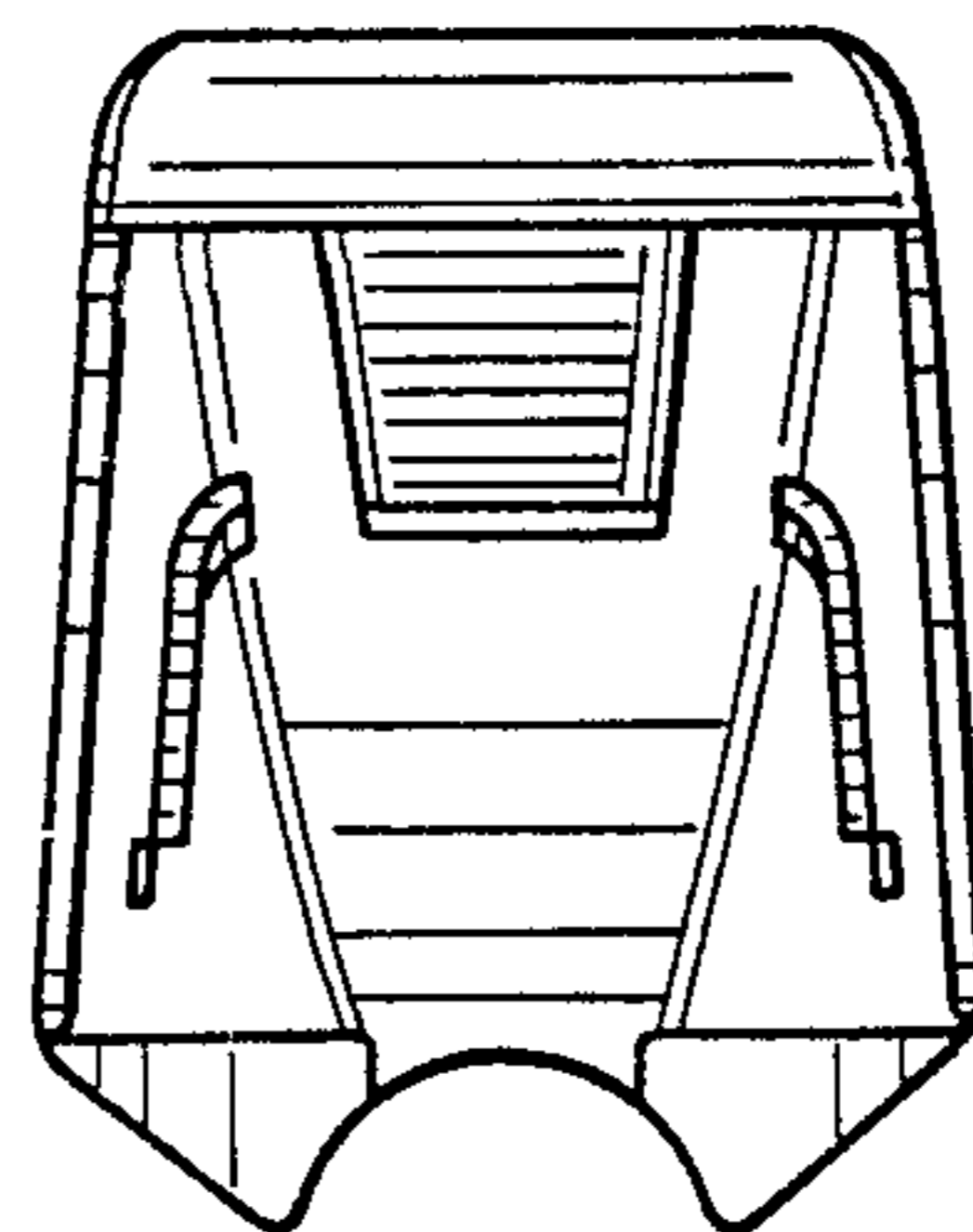


FIG. 6

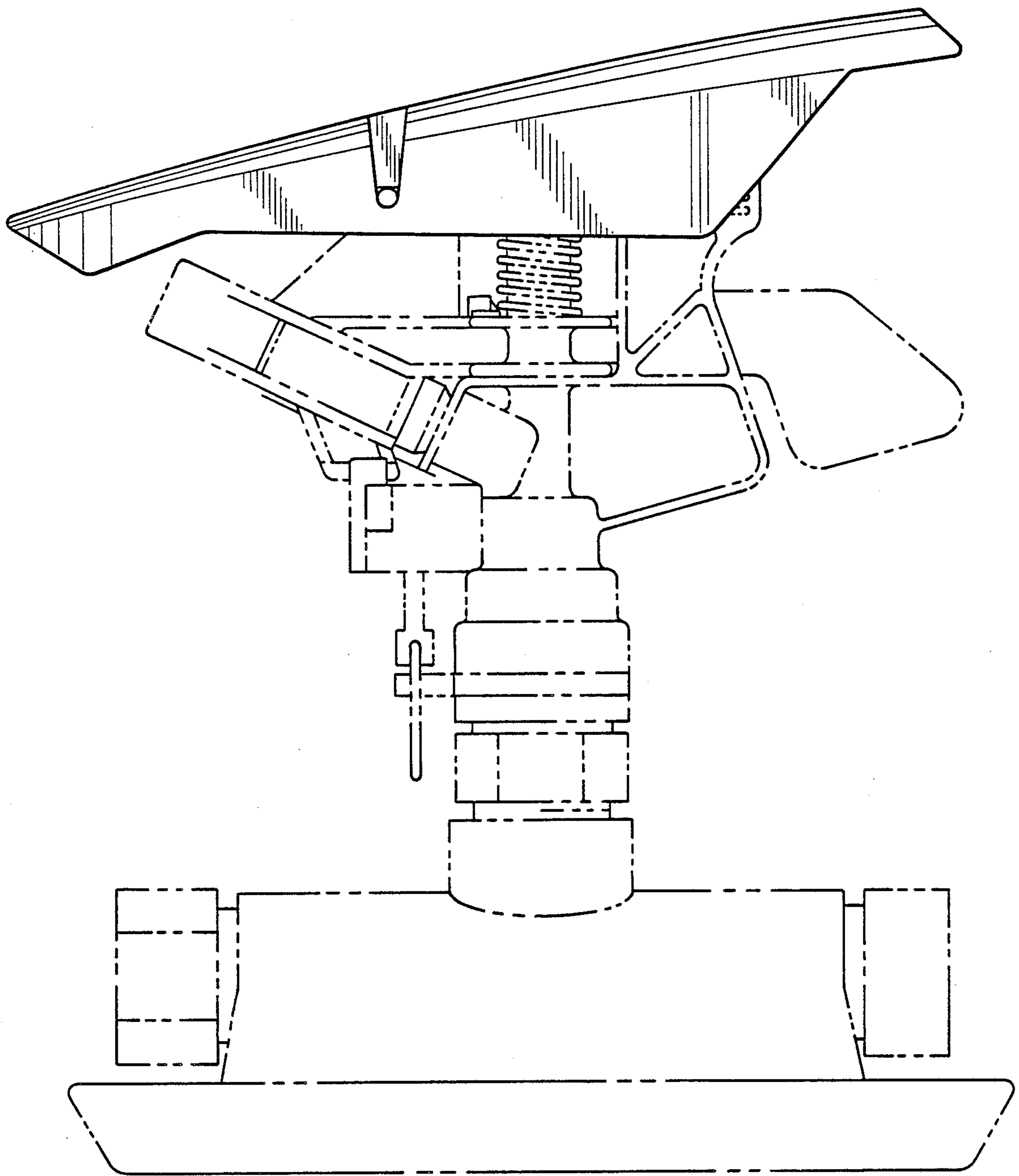


FIG. 7