

# United States Patent [19]

Cheng

[11] Patent Number: Des. 311,435

[45] Date of Patent: \*\* Oct. 16, 1990

[54] FLUSH TOILET OR SIMILAR ARTICLE

[75] Inventor: Wen-Chin Cheng, Hua Lien, Taiwan

[73] Assignee: Hocheng Pottery Mfg. Co., Ltd.,  
China

[\*\*] Term: 14 Years

[21] Appl. No.: 25,771

[22] Filed: Mar. 13, 1987

[52] U.S. Cl. .... D23/301

[58] Field of Search ..... D23/295-301,  
D23/309, 313; 4/306, 329-332, 353, 420-448,  
DIG. 15

[56] References Cited

### U.S. PATENT DOCUMENTS

D. 188,750	9/1960	Swann	.....	D23/301
D. 199,235	9/1964	Tiller	.....	D23/301
D. 224,108	7/1972	Doman	.....	D23/301
D. 250,202	11/1978	Doman et al.	.....	D23/301
D. 261,799	11/1981	Alger	.....	D23/301

D. 264,620	5/1982	Kaiser	.....	D23/301
D. 268,780	4/1983	Doman et al.	.....	D23/301
D. 275,515	9/1984	Kaiser	.....	D23/295
D. 275,599	9/1984	Enthoven	.....	D23/295 X
D. 278,078	3/1985	Kaiser	.....	D23/295
D. 288,590	3/1987	Stairs, Jr.	.....	D23/295

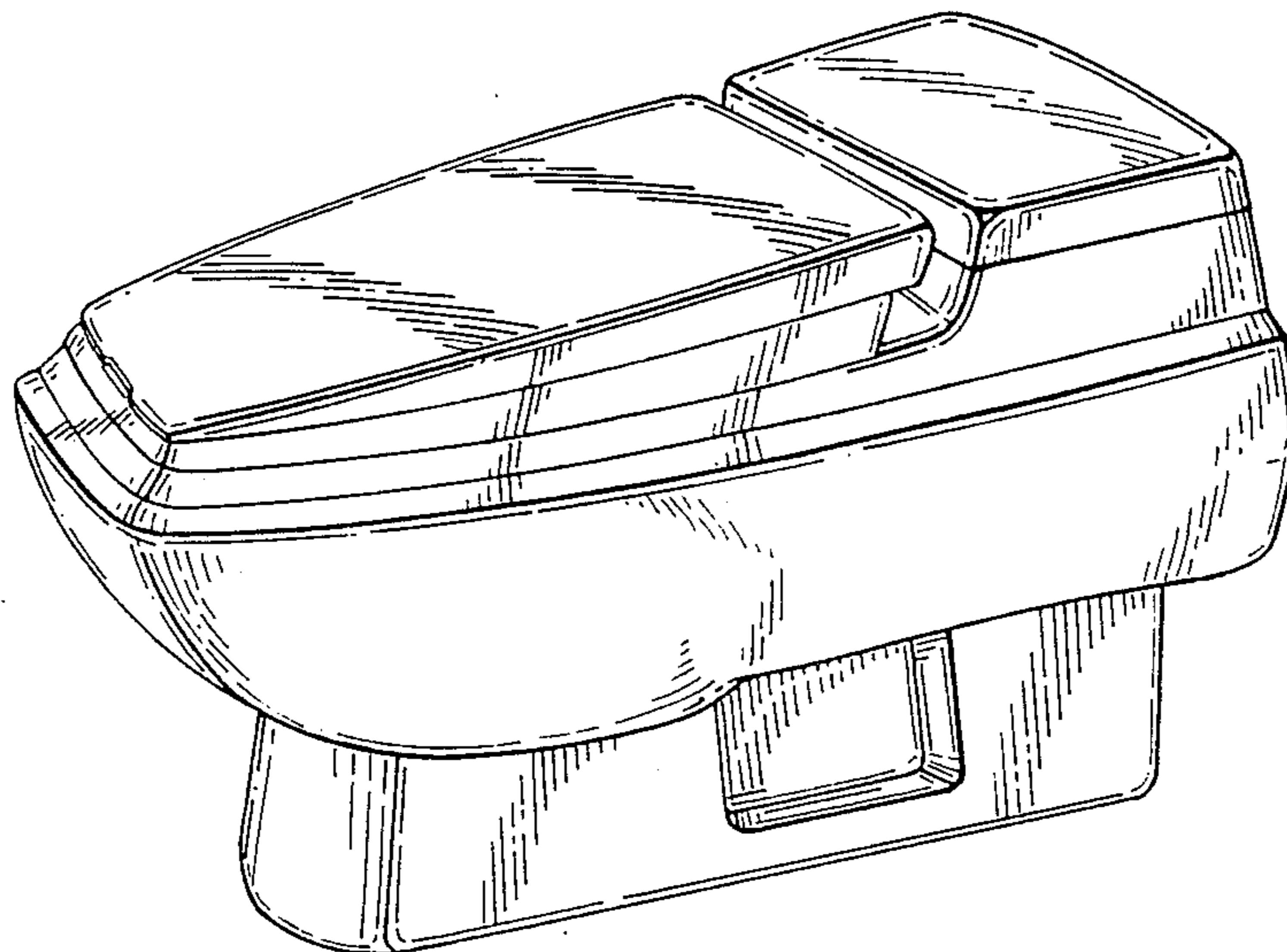
Primary Examiner—James R. Largen  
Attorney, Agent, or Firm—Michael N. Meller

[57] CLAIM

The ornamental design for a flush toilet or similar article, as shown and described.

### DESCRIPTION

FIG. 1 is a front elevational view of flush toilet or similar article showing my new design;  
FIG. 2 is a rear elevational view thereof;  
FIG. 3 is a left side elevational view thereof;  
FIG. 4 is a right side elevational view thereof;  
FIG. 5 is a top plan view thereof;  
FIG. 6 is a bottom plan view thereof; and  
FIG. 7 is a perspective view taken from the top, front and right side thereof.



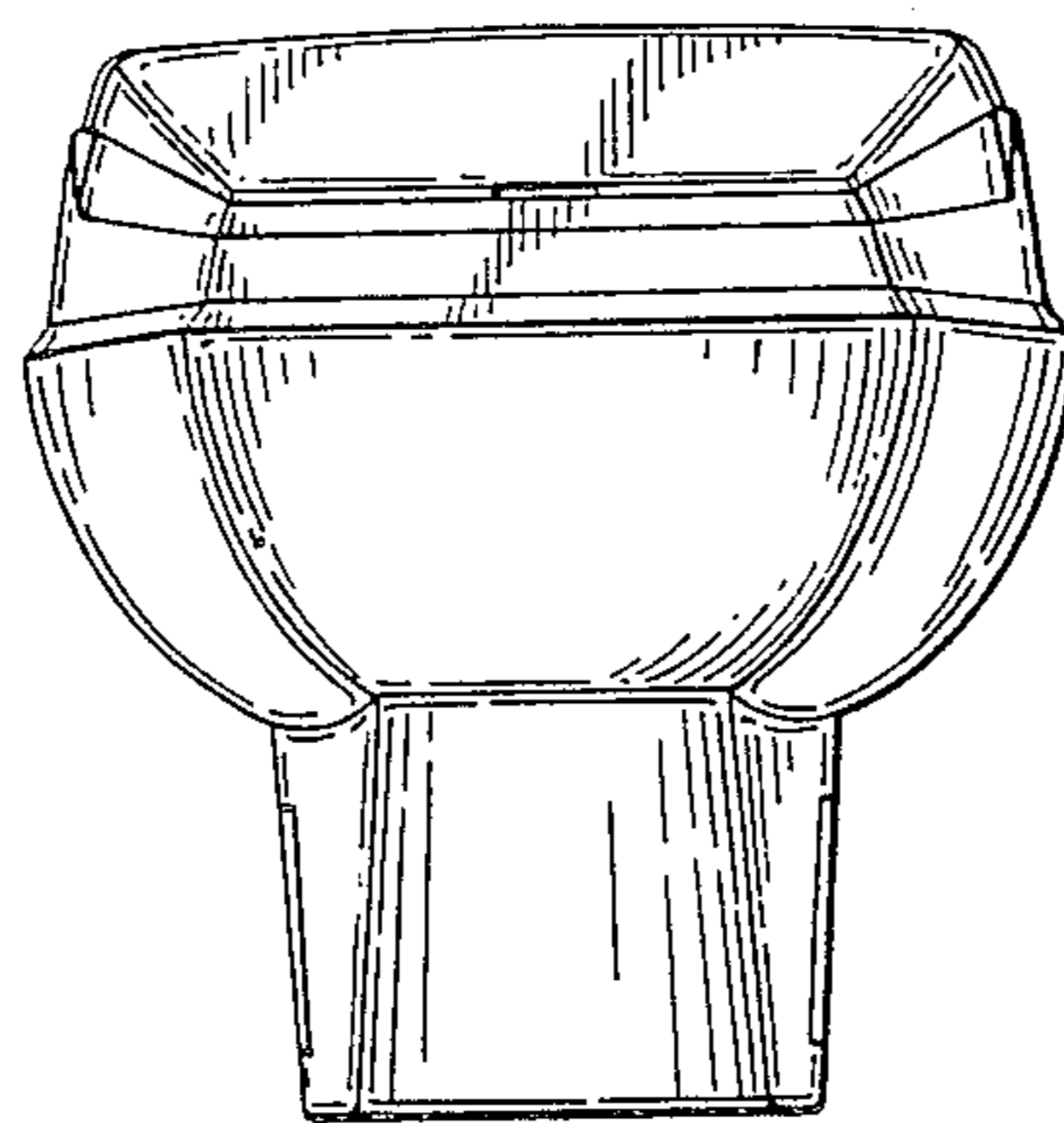


FIG. 1

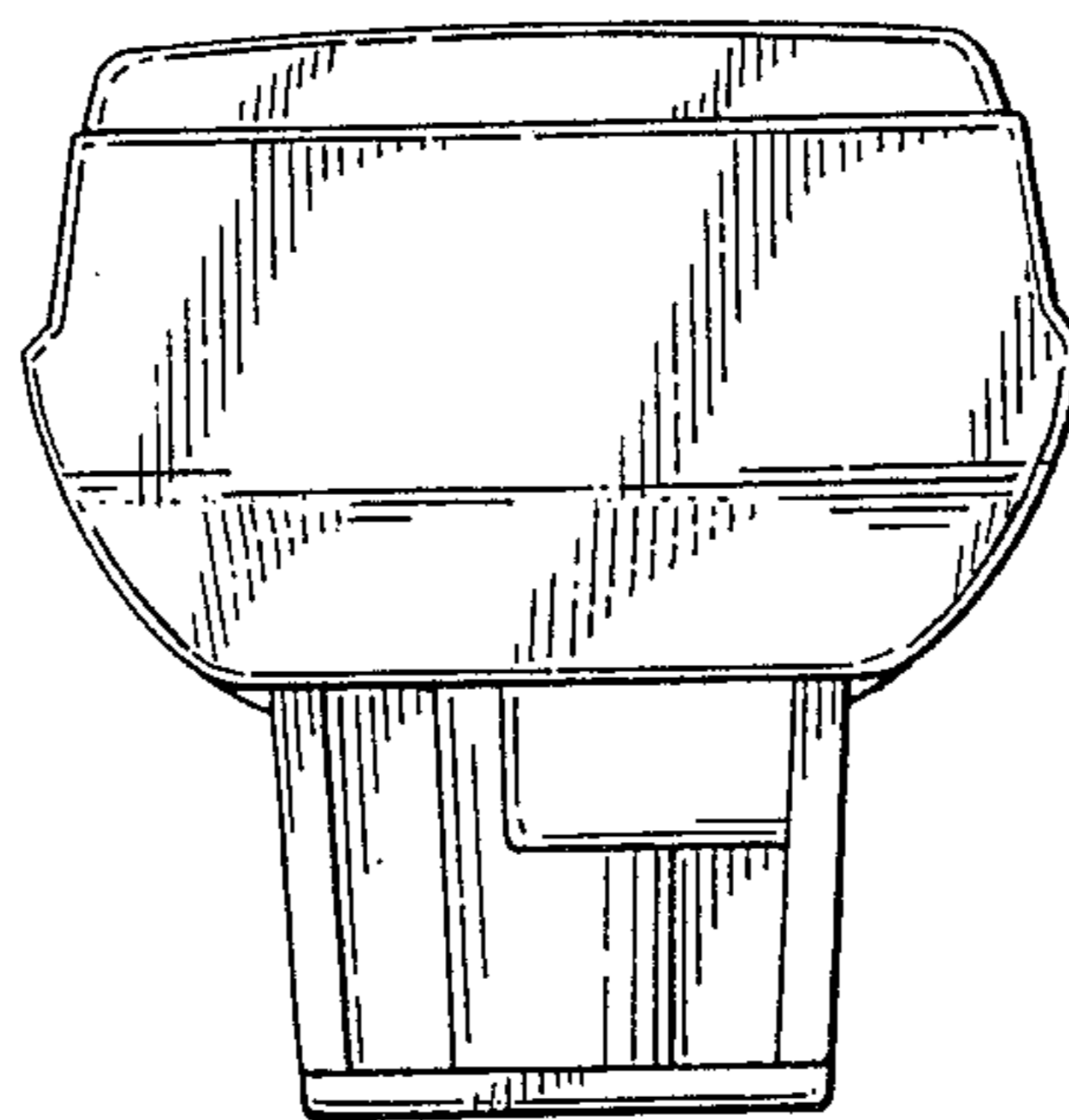


FIG. 2

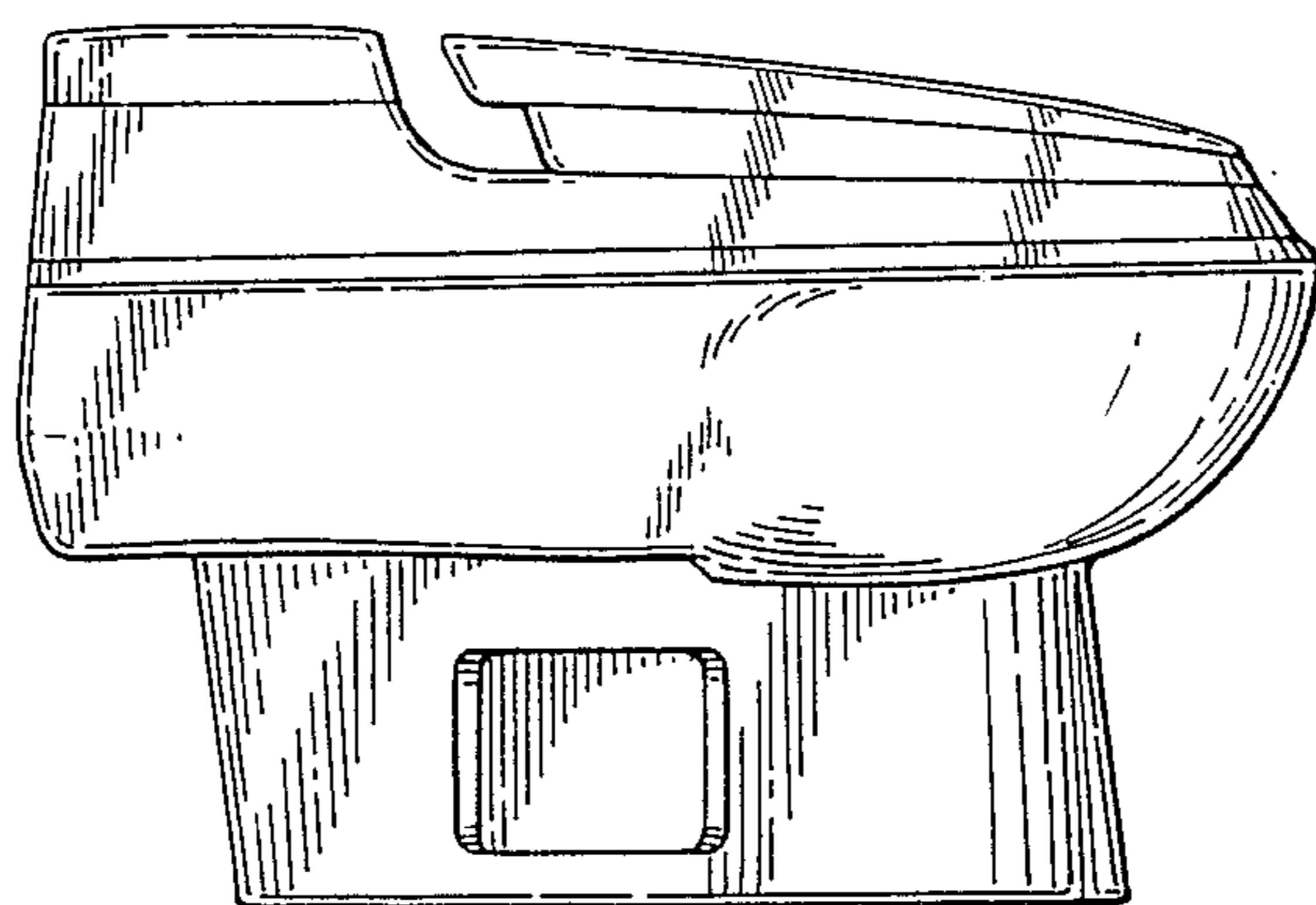


FIG. 3

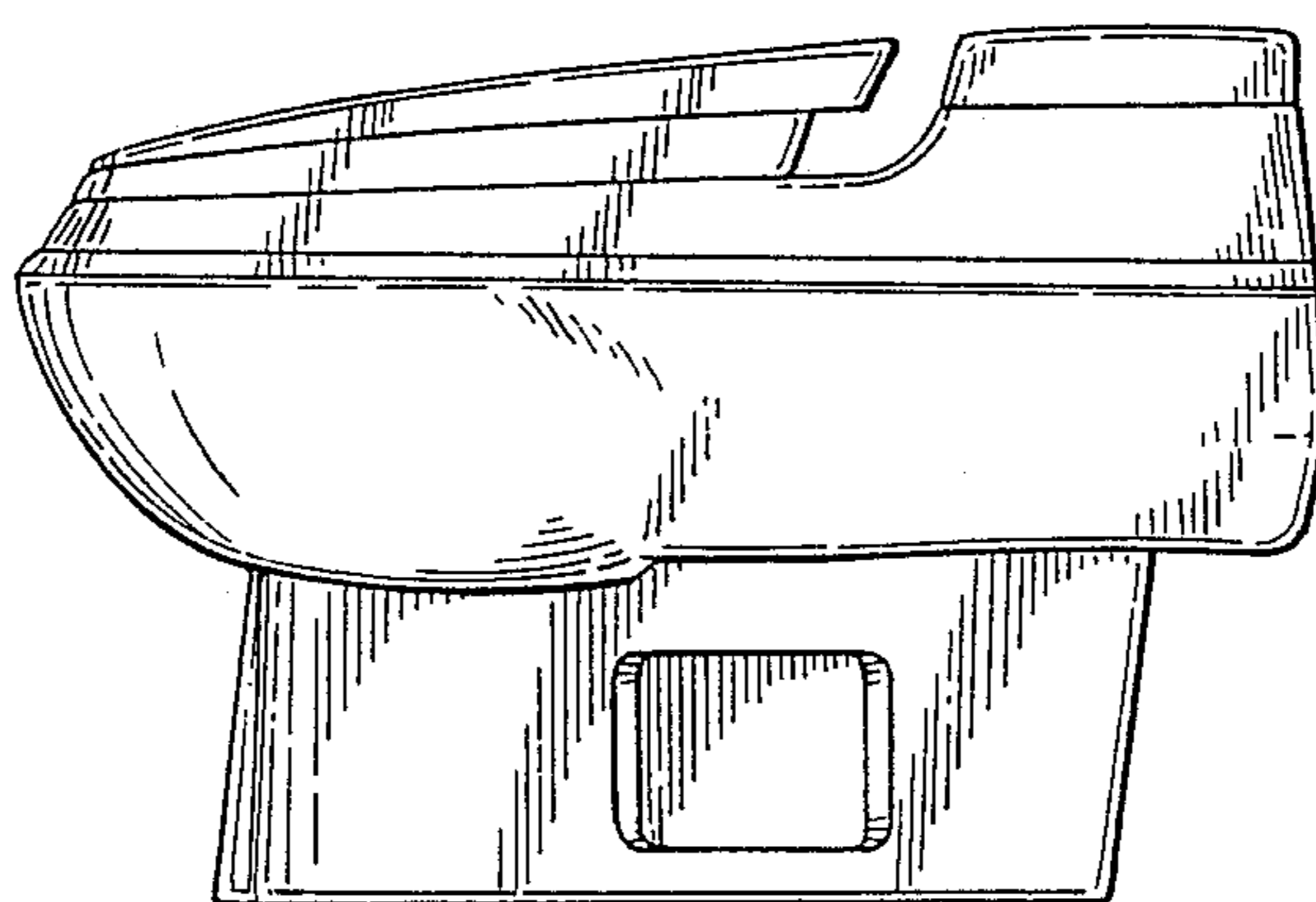


FIG. 4

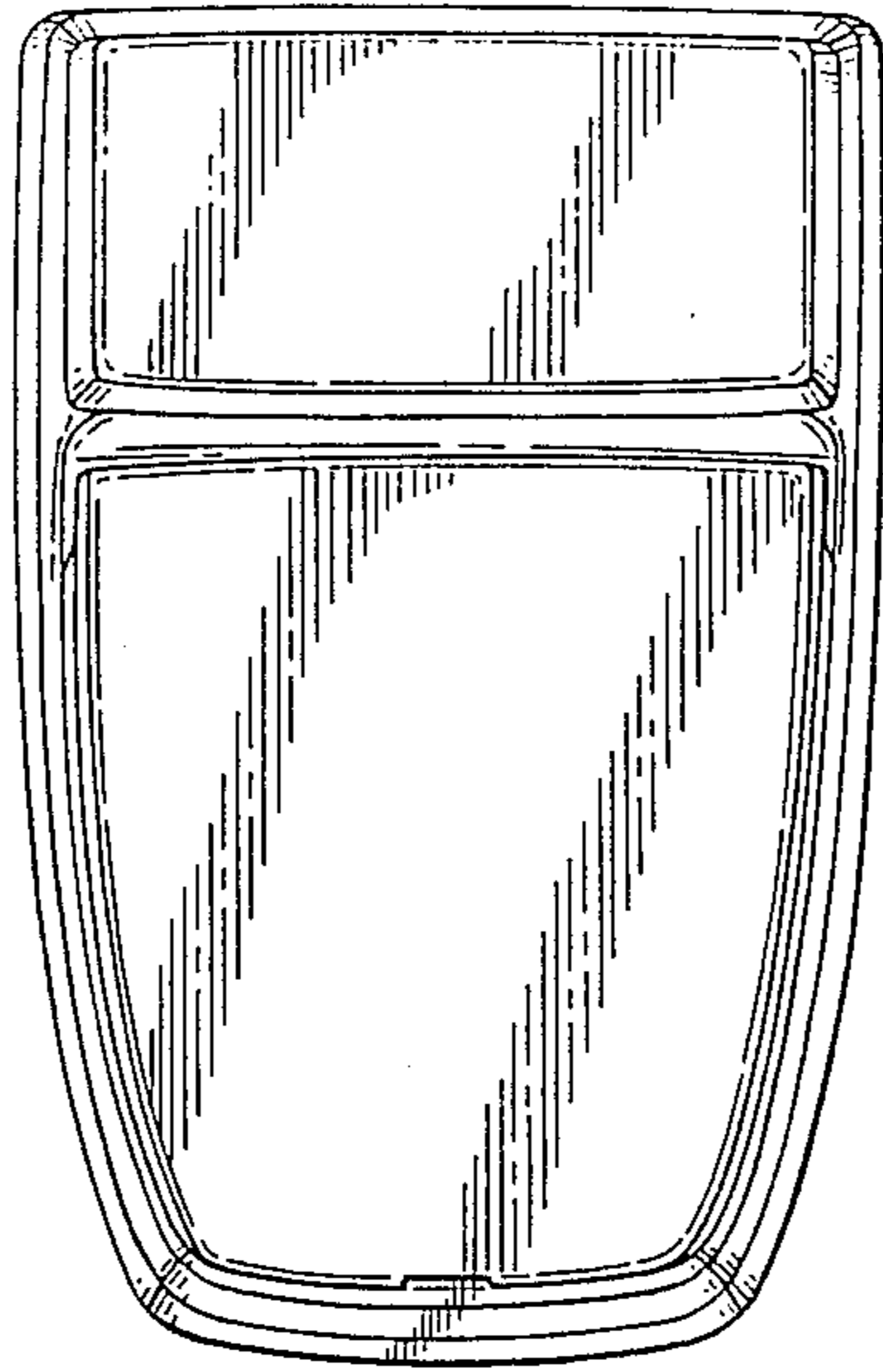


FIG. 5

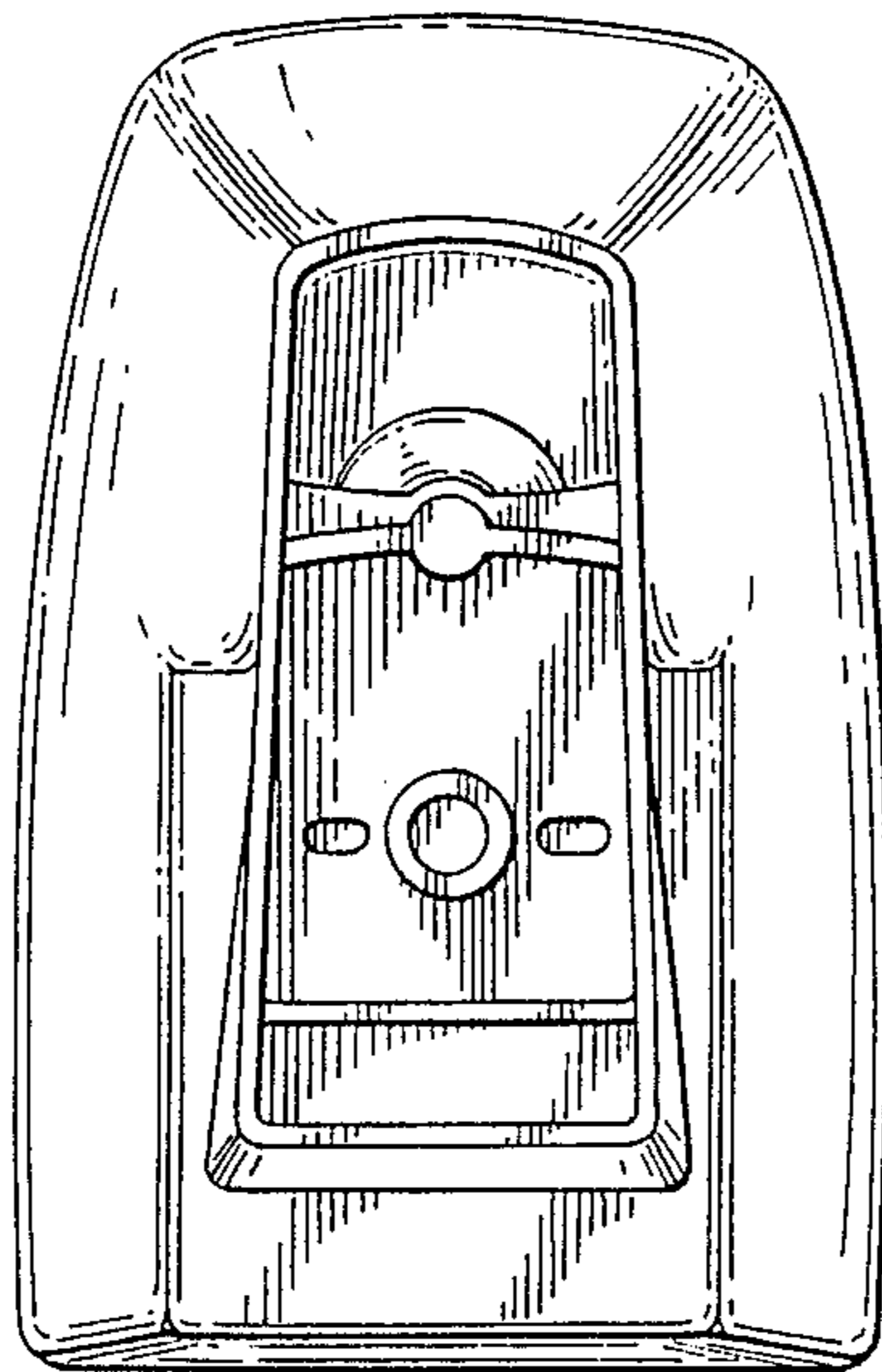


FIG. 6

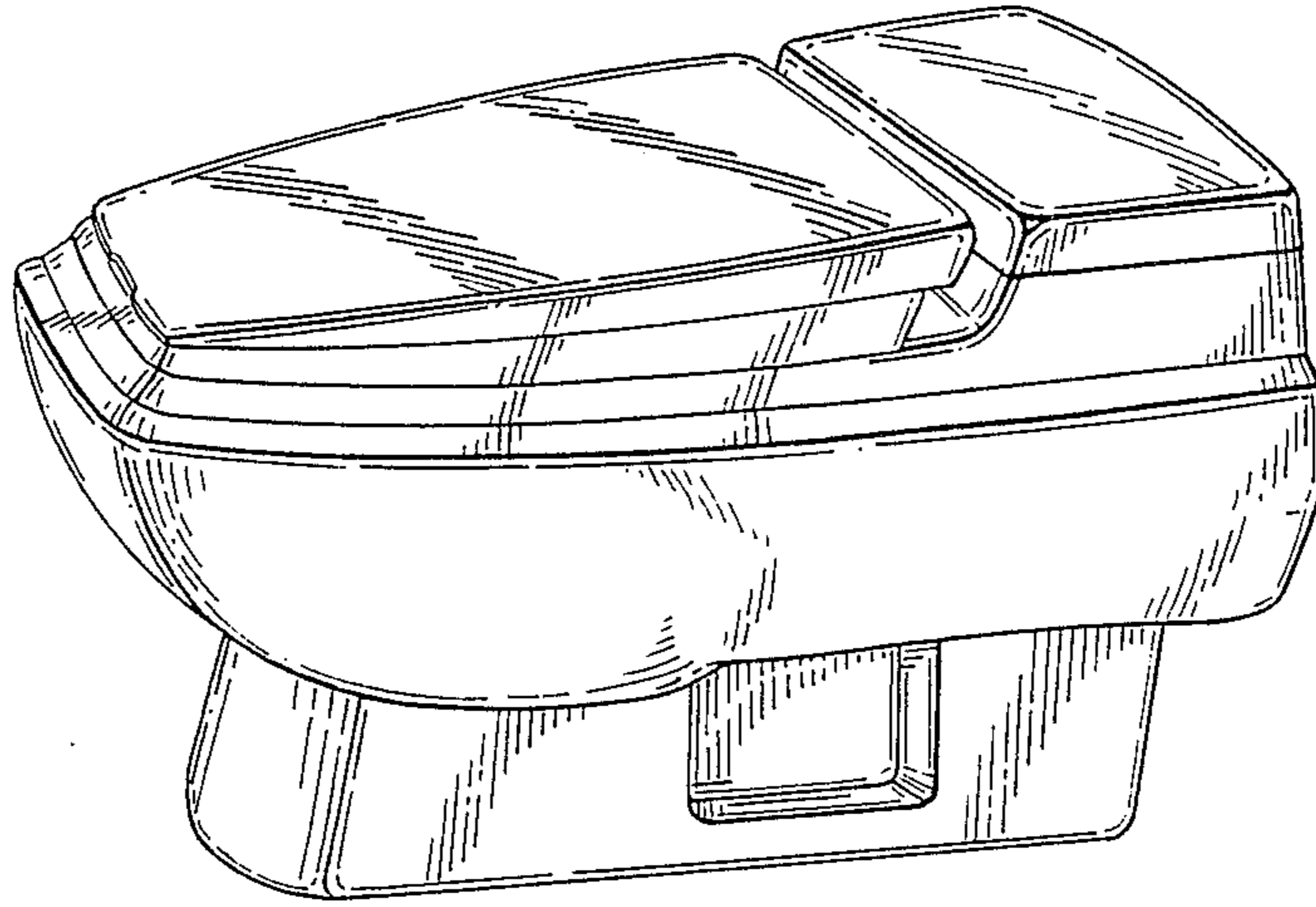


FIG. 7