

[54] **DOWNRIGGER BALL CRADLE**

[76] **Inventor: Stanley M. Bennett, 70 W. Buck Way, Coupeville, Wash. 98239**

[**] **Term: 14 Years**

[21] **Appl. No.: 400,956**

[22] **Filed: Aug. 31, 1989**

Related U.S. Application Data

[63] Continuation of Ser. No. 280,811, Jan. 17, 1989.
[52] **U.S. Cl.** **D22/199; D22/134**
[58] **Field of Search** **D22/134; D23/259; D3/36; D6/552; D21/233; D30/133; 12/317; 43/27.4, 43.12; 206/315.91; 294/145, 172; 119/61; D8/71; D7/301, 313**

[56] **References Cited**

U.S. PATENT DOCUMENTS

D. 292,934 11/1987 Alberico D23/259
406,425 7/1889 Burton 119/61
2,754,870 7/1956 Glantz et al. D3/36 X
3,011,648 12/1961 Einhorn D3/36 X

Primary Examiner—A. Hugo Word
Assistant Examiner—Doris V. Coles
Attorney, Agent, or Firm—Klarquist, Sparkman, Campbell, Leigh & Winston

[57] **CLAIM**

The ornamental design for a downrigger ball cradle, as shown and described.

DESCRIPTION

FIG. 1 is a perspective view of a downrigger ball cradle, showing my new design;
FIG. 2 is an end elevational view thereof;
FIG. 3 is a side elevational view thereof;
FIG. 4 is a top plan view thereof; and
FIG. 5 is a bottom plan view thereof.

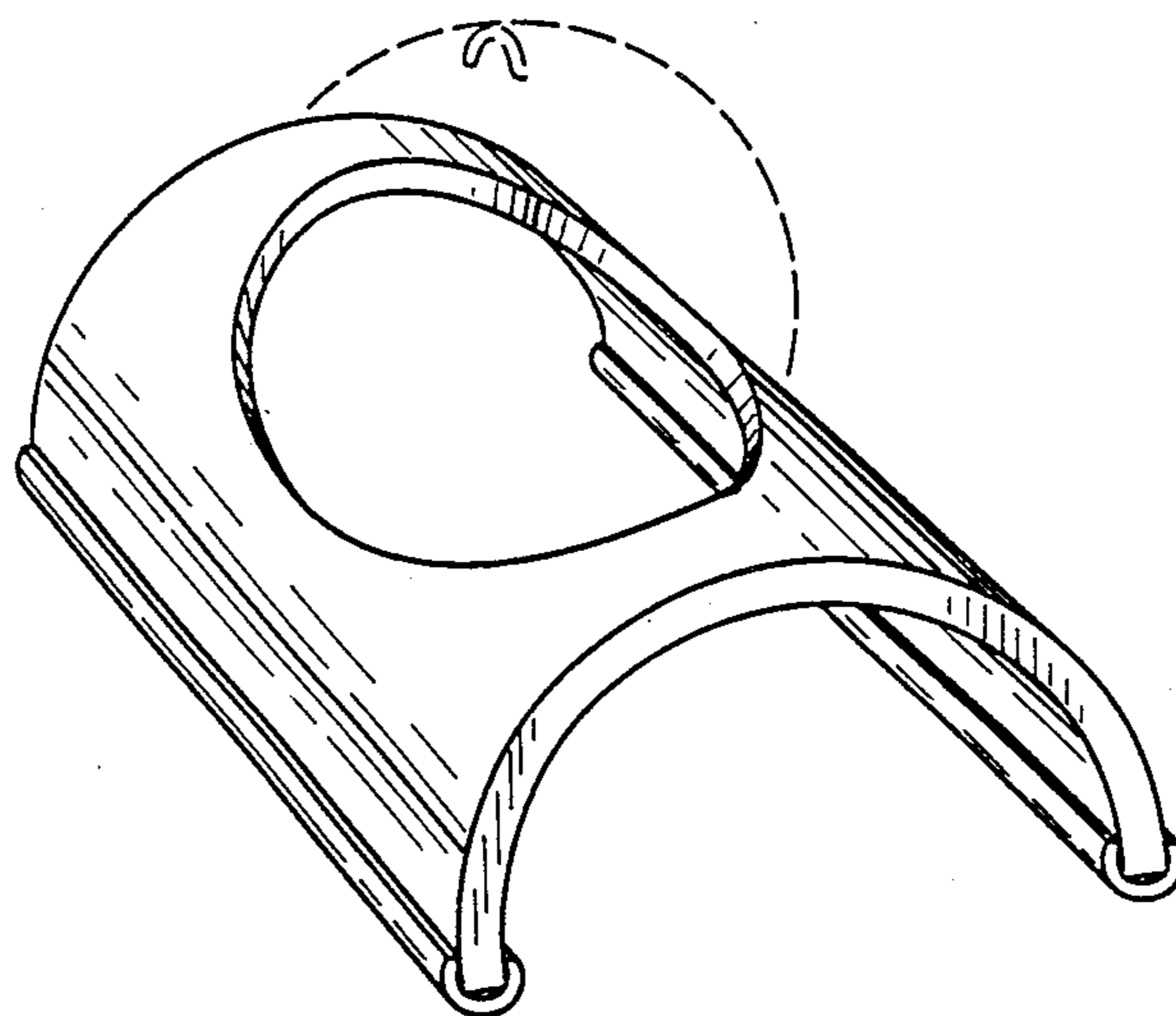


FIG. 1

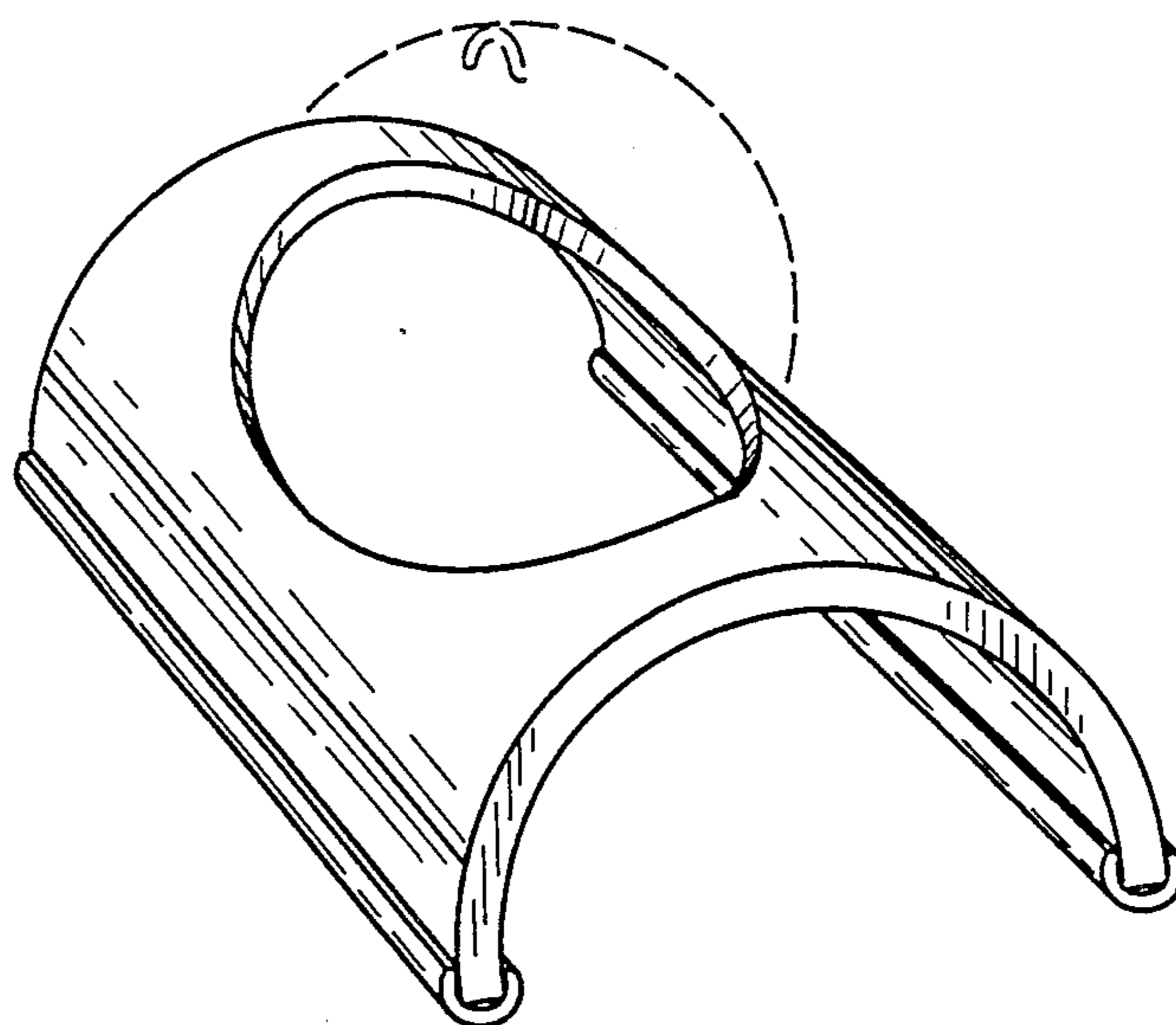


FIG. 2

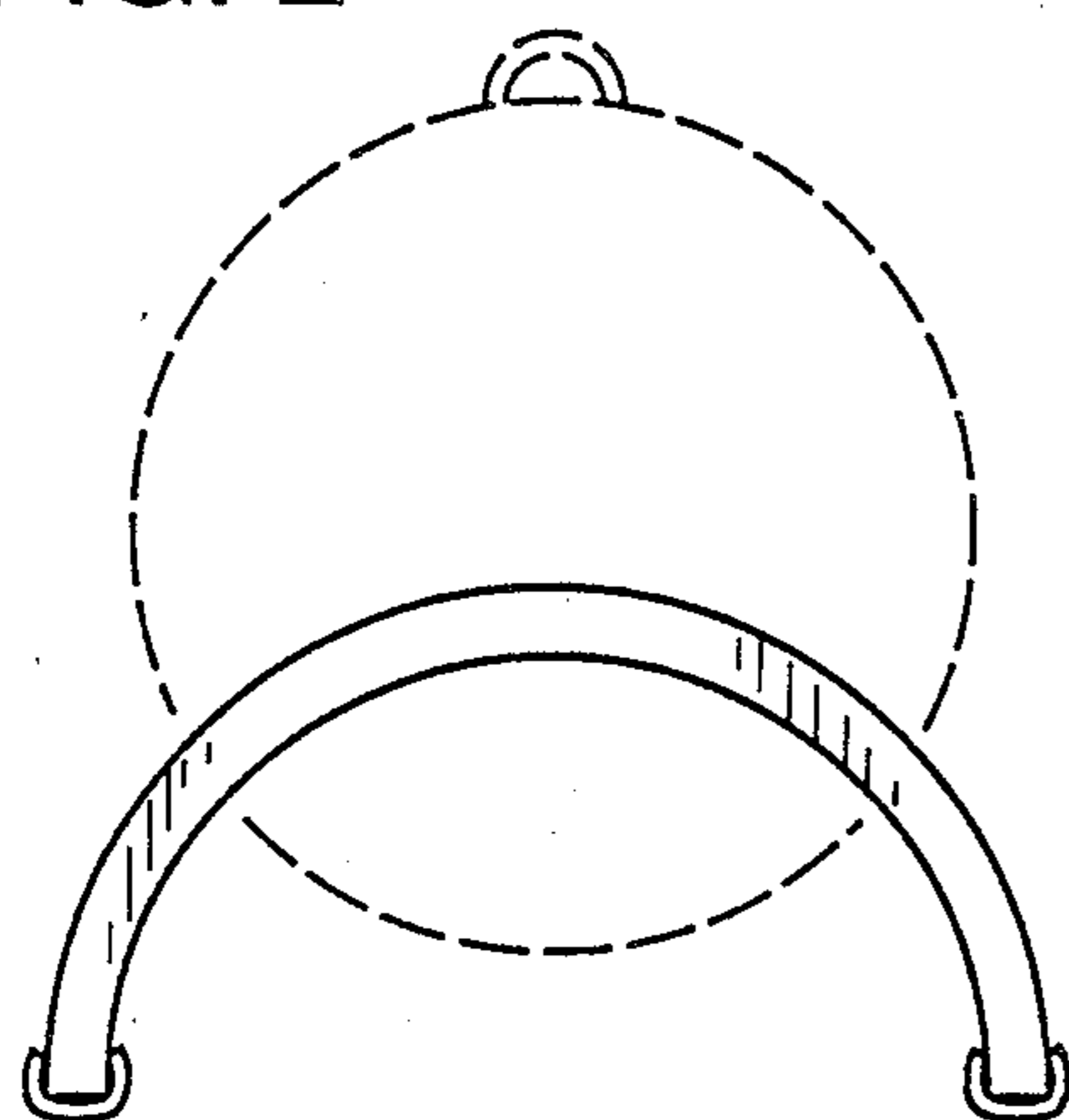


FIG. 3

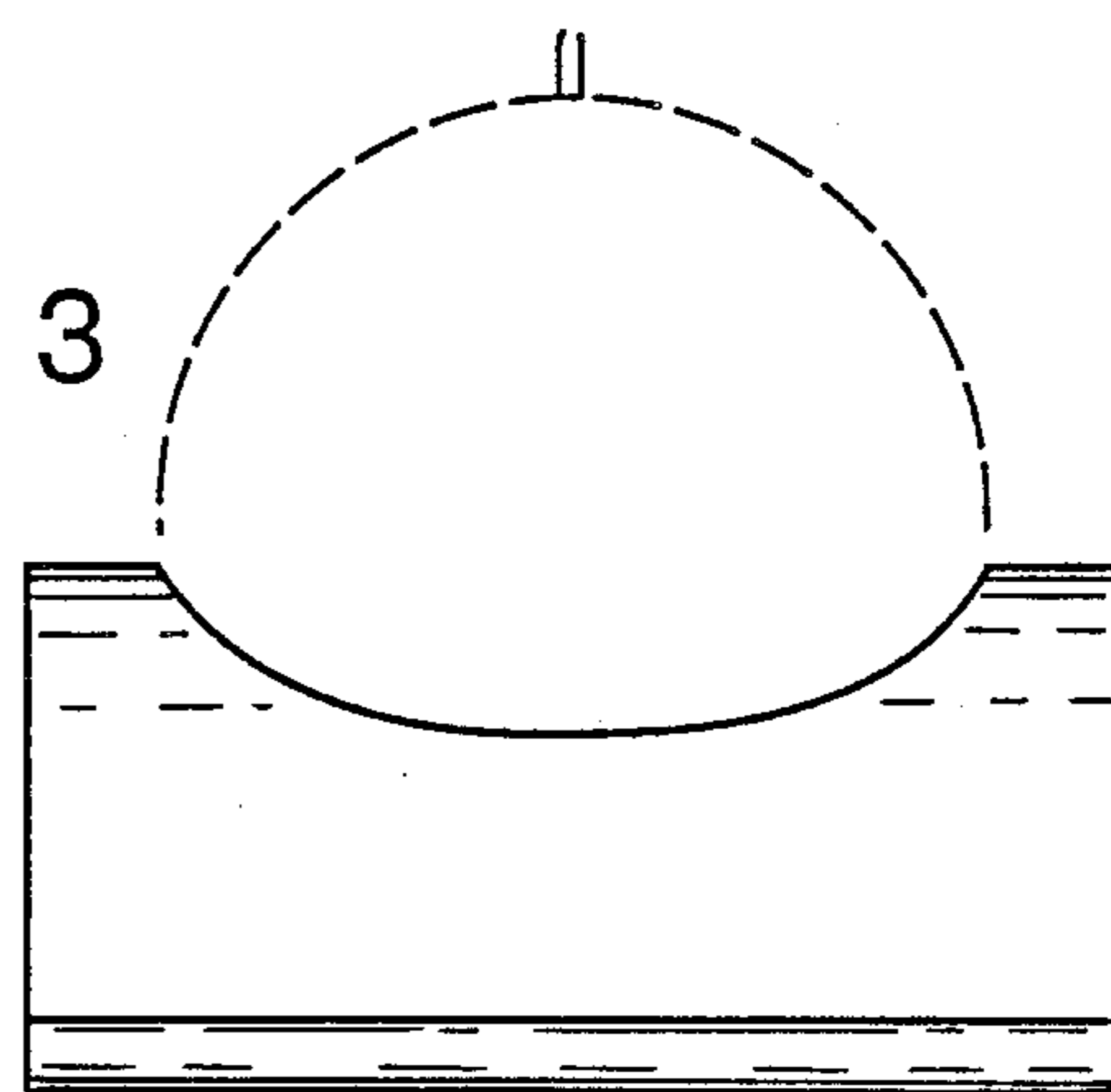


FIG. 4

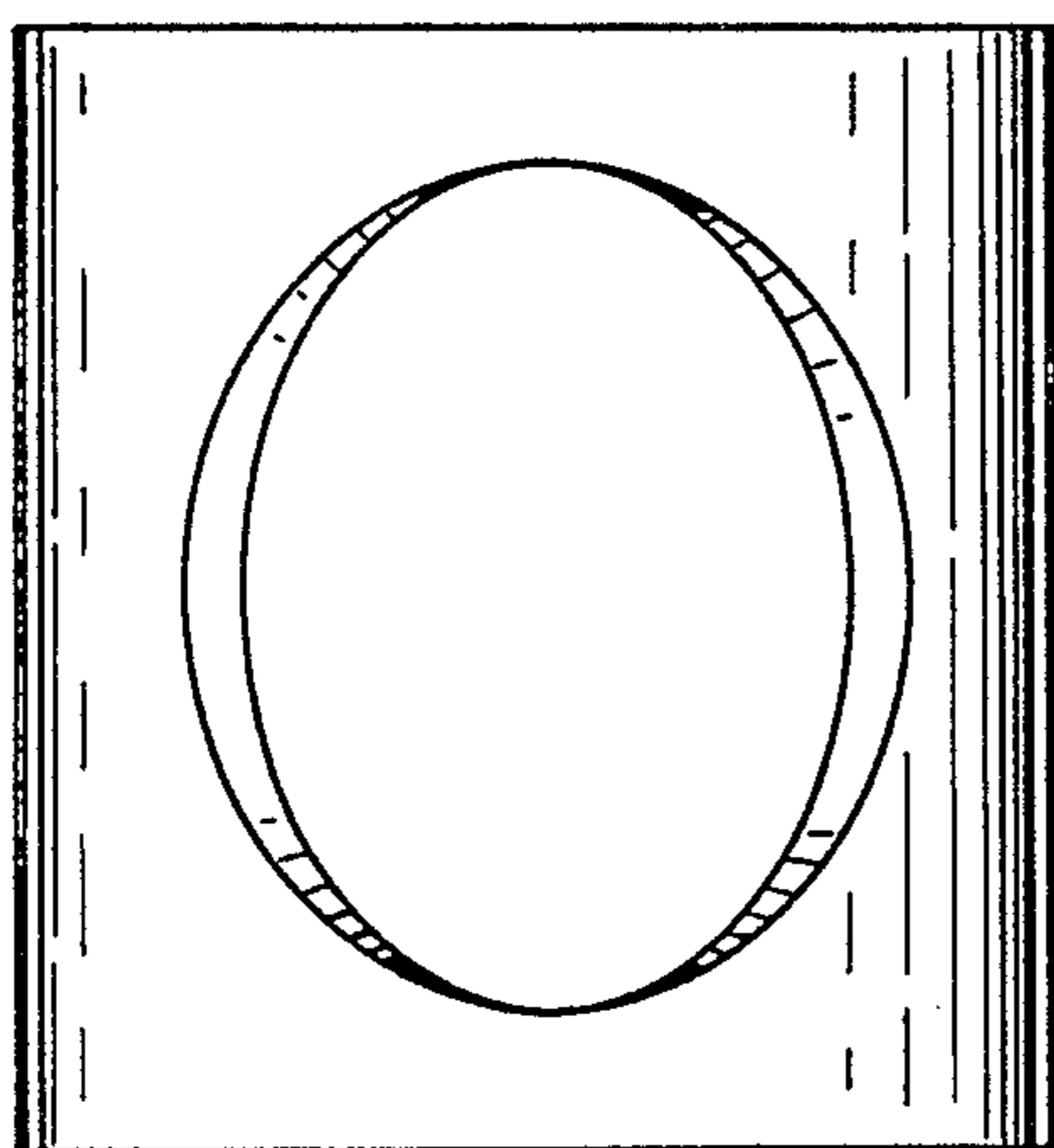


FIG. 5

