

[54] DOLL BED

[76] Inventor: Richard L. Steele, 3933 E. Shangri-La, Phoenix, Ariz. 85028

[**] Term: 14 Years

[21] Appl. No.: 153,036

[22] Filed: Feb. 8, 1988

[52] U.S. Cl. D21/123

[58] Field of Search D21/59, 109, 121, 122; D6/382, 389, 395; 446/482, 479

[56] References Cited

U.S. PATENT DOCUMENTS

- D. 158,038 4/1950 Barmache et al. D6/384
- D. 211,852 8/1968 La Rocca et al. D6/384
- D. 227,725 7/1973 Mendlin D6/384

FOREIGN PATENT DOCUMENTS

65253 2/1942 Fed. Rep. of Germany 446/482

Primary Examiner—Charles A. Rademaker
Attorney, Agent, or Firm—Cahill, Sutton & Thomas

[57] CLAIM

The ornamental design for a doll bed, as shown and described.

DESCRIPTION

FIG. 1 is a perspective view of a doll bed showing my new design;
 FIG. 2 is a top plan view thereof shown on a reduced scale;
 FIG. 3 is a bottom plan view thereof;
 FIG. 4 is a right side elevational view thereof;
 FIG. 5 is a left side elevational view thereof; and,
 FIG. 6 is a rear elevational view thereof.

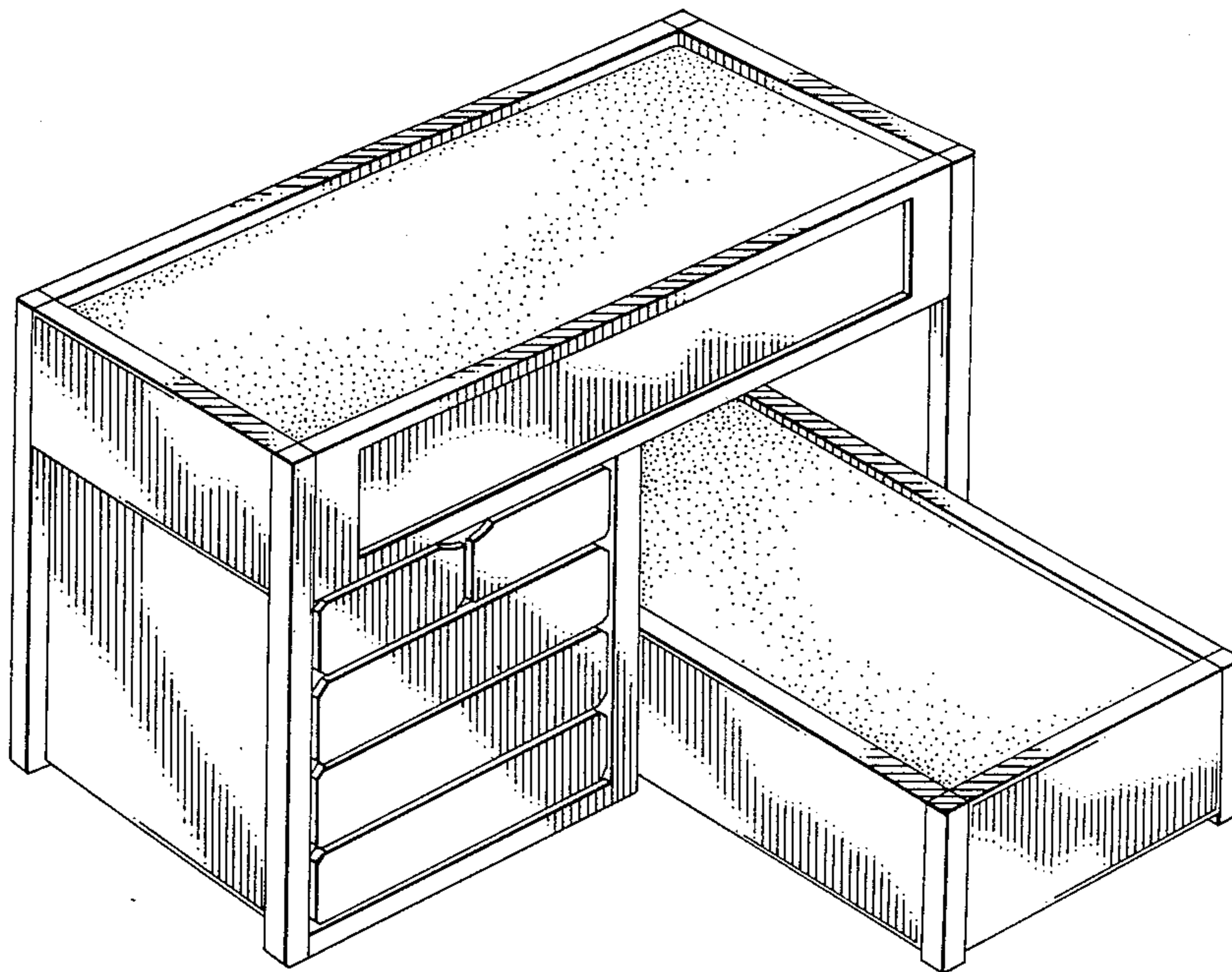


FIG. 1

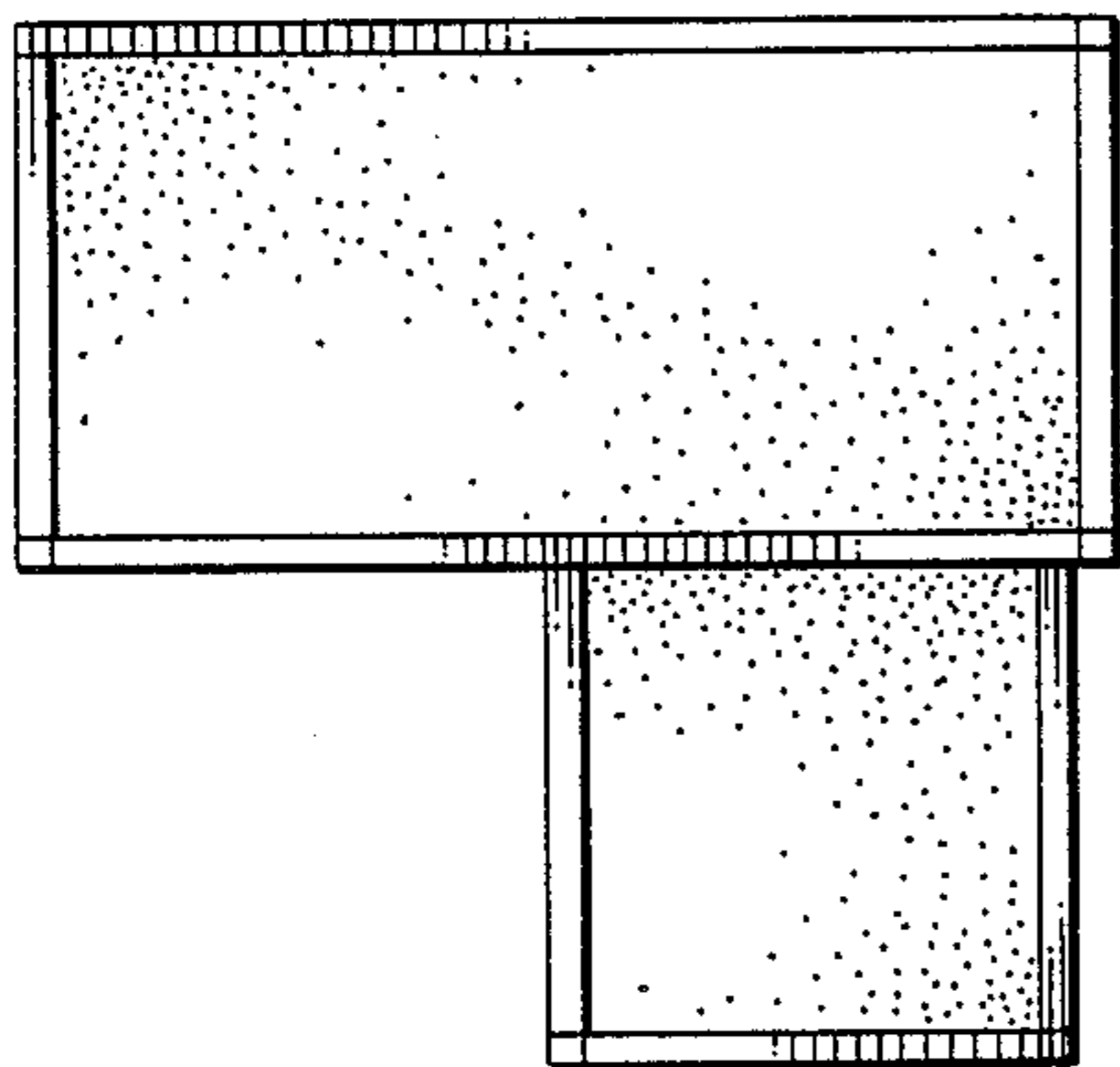
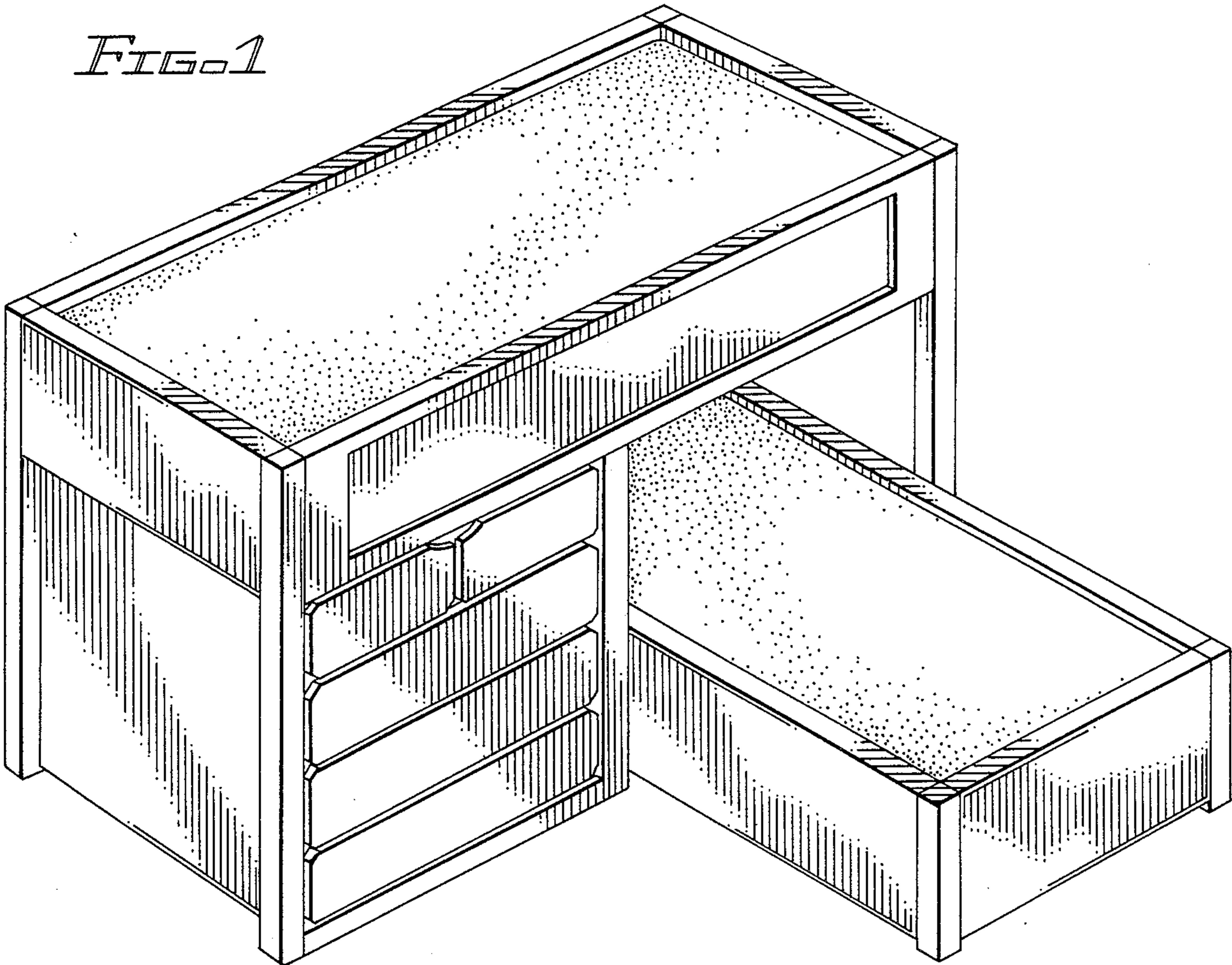


FIG. 2

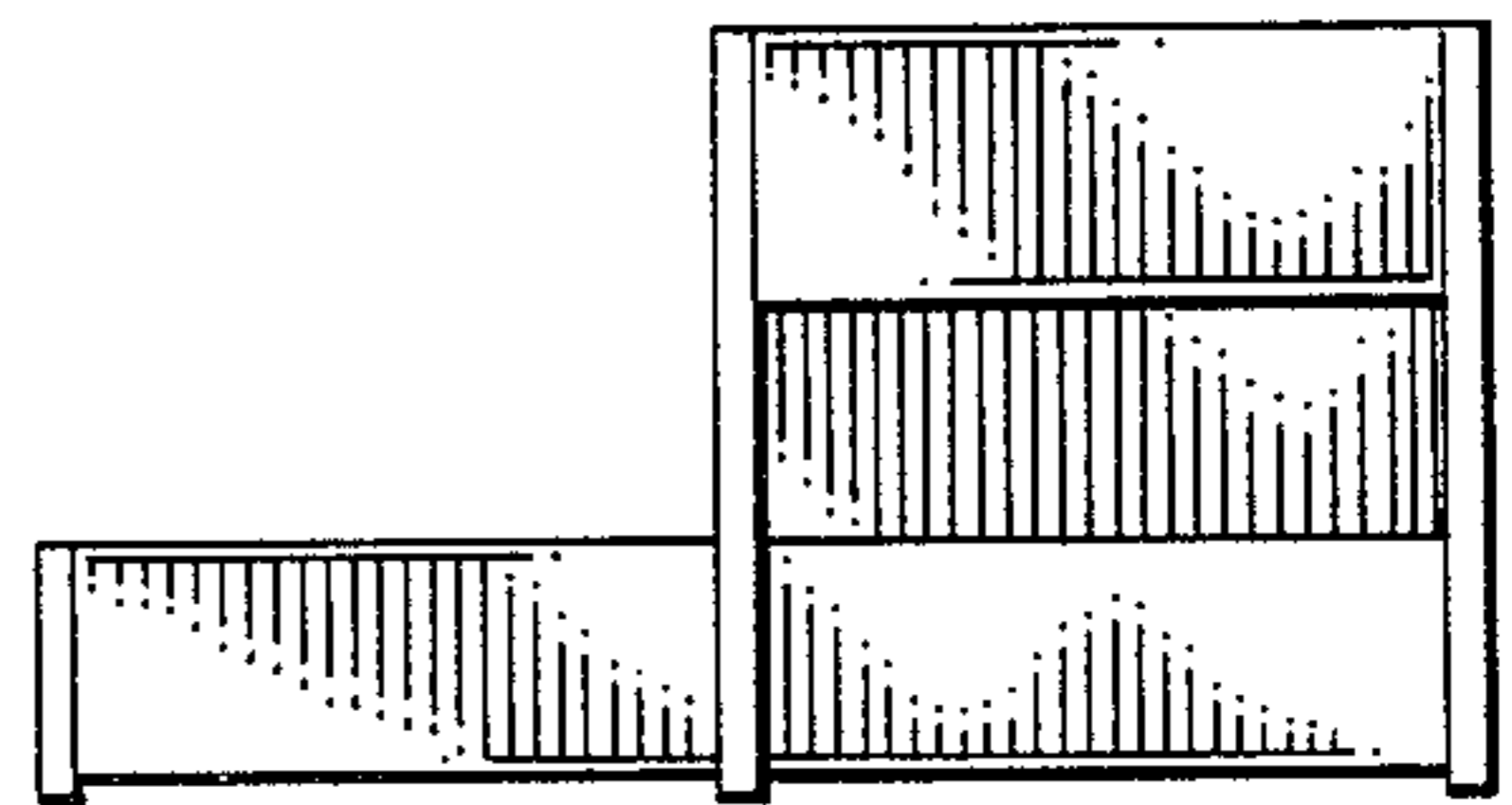


FIG. 4

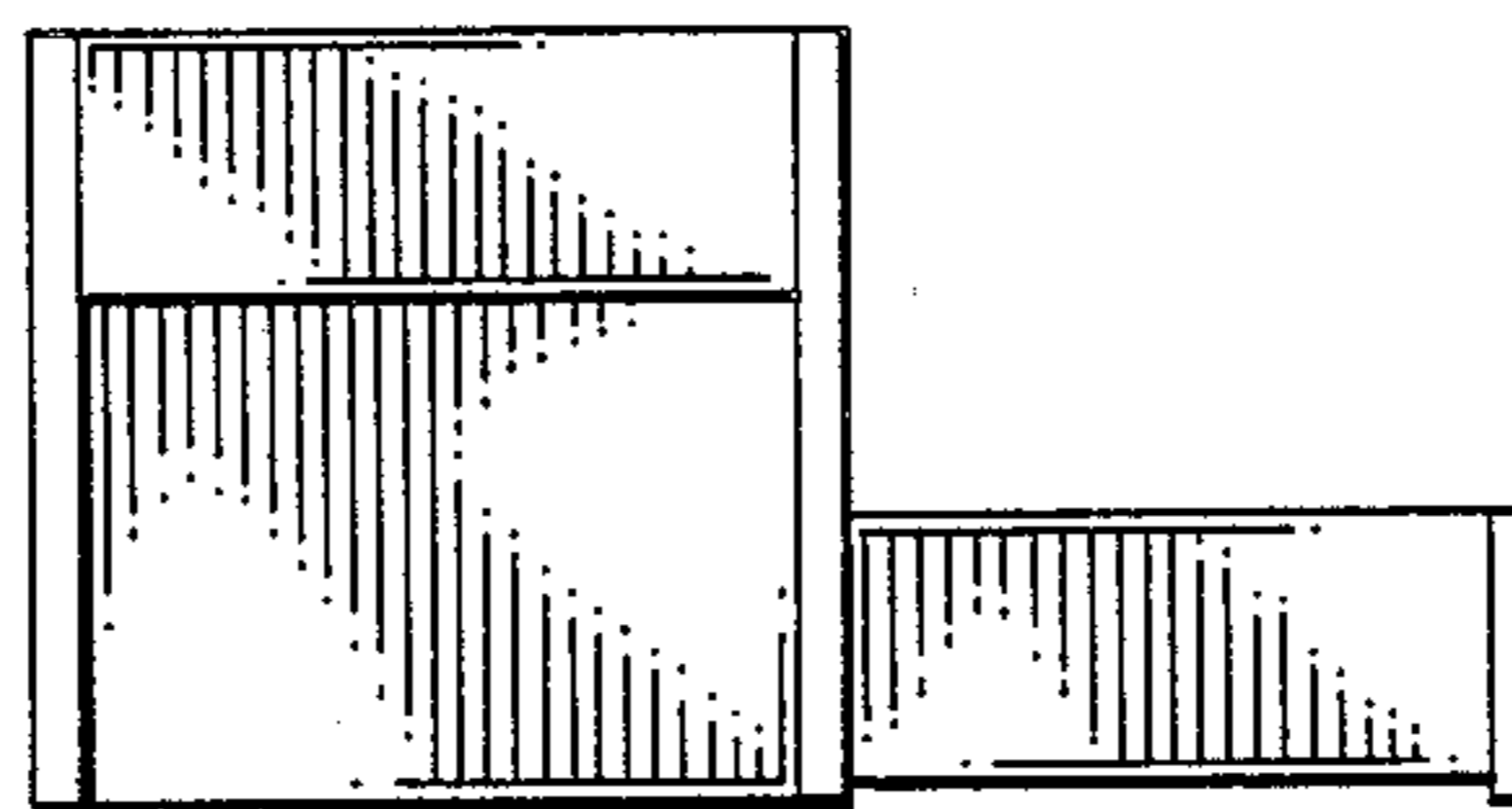


FIG. 5

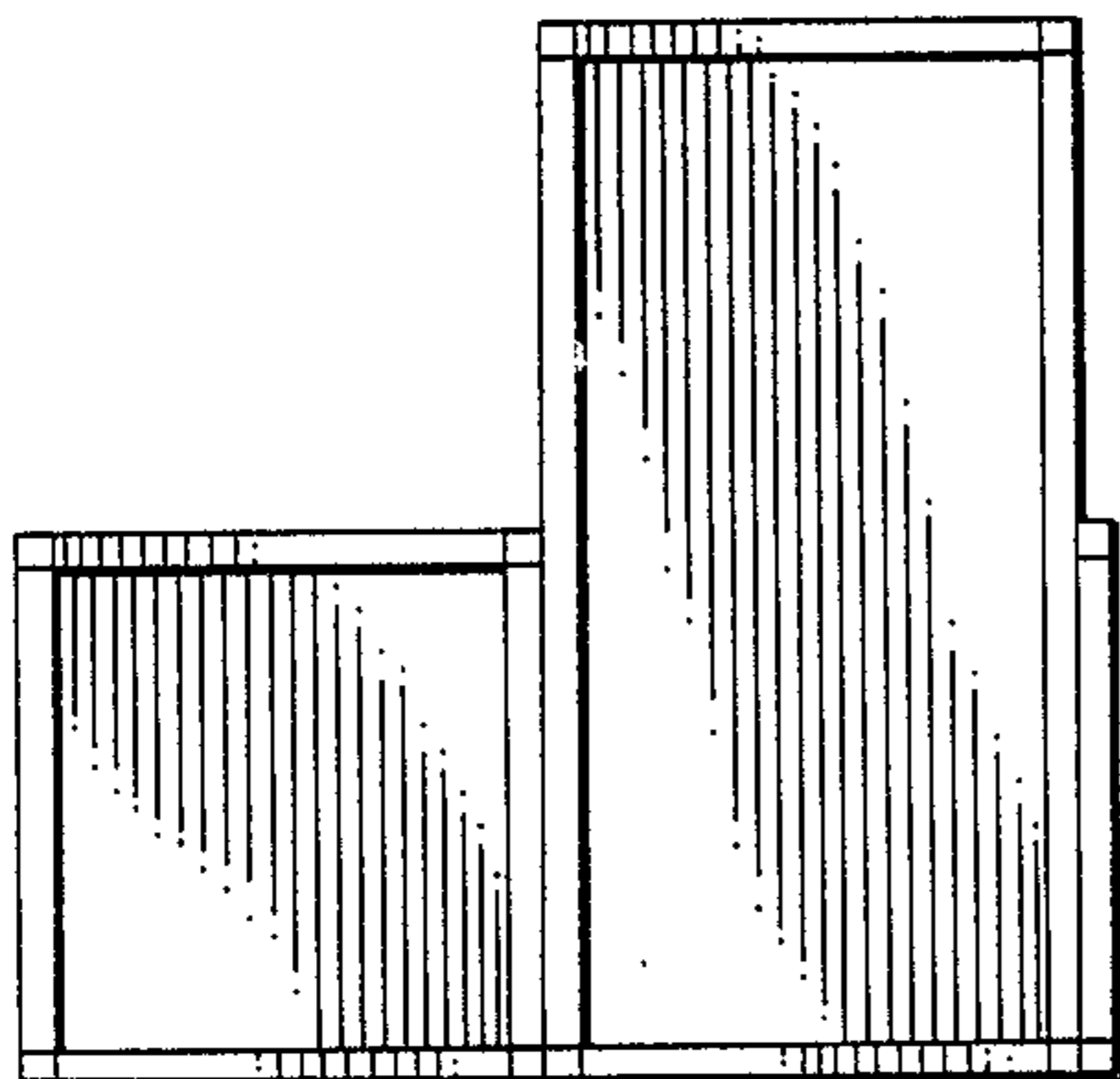


FIG. 3

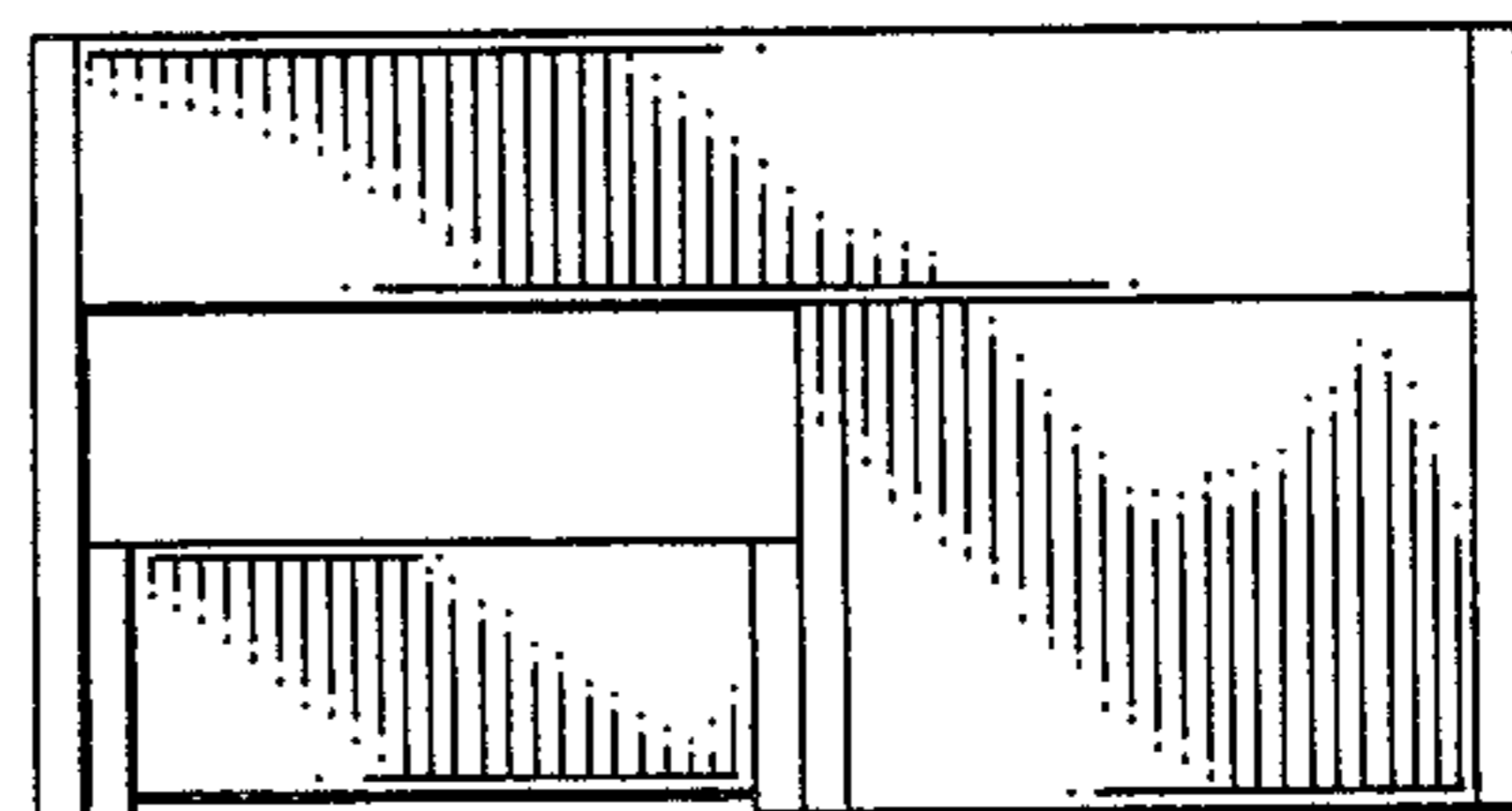


FIG. 6