

[54] GAMING MACHINE OR SIMILAR ARTICLE

[75] Inventor: John L. Sears, West Bridgford, England

[73] Assignee: Bell-Fruit Manufacturing Company Limited, Lenton, England

[**] Term: 14 Years

[21] Appl. No.: 174,624

[22] Filed: Mar. 29, 1988

[30] Foreign Application Priority Data

Oct. 31, 1987 [GB] United Kingdom 1045973
[52] U.S. Cl. D21/37
[58] Field of Search D21/1, 12, 13, 37; D20/1-9; D6/396, 443; 273/149 R, 149 A, 138 R, 138 A, 138 B, 139, 143 R, 143 A; D10/46.1; 194/350, 351, 352, 239, 343, 344-345, 302; 224/1-5, 15, 92-96; D13/40; D14/102, 103

[56] References Cited

U.S. PATENT DOCUMENTS

D. 236,739 9/1975 Faraco D21/13

D. 241,879 10/1976 Swift et al. D20/1
D. 279,566 7/1985 Case D14/102
2,840,214 6/1958 Doud 194/239
3,759,525 9/1973 Davis 273/143 R

FOREIGN PATENT DOCUMENTS

2106294 9/1983 United Kingdom 273/138 A
2182186 5/1987 United Kingdom 273/143 R

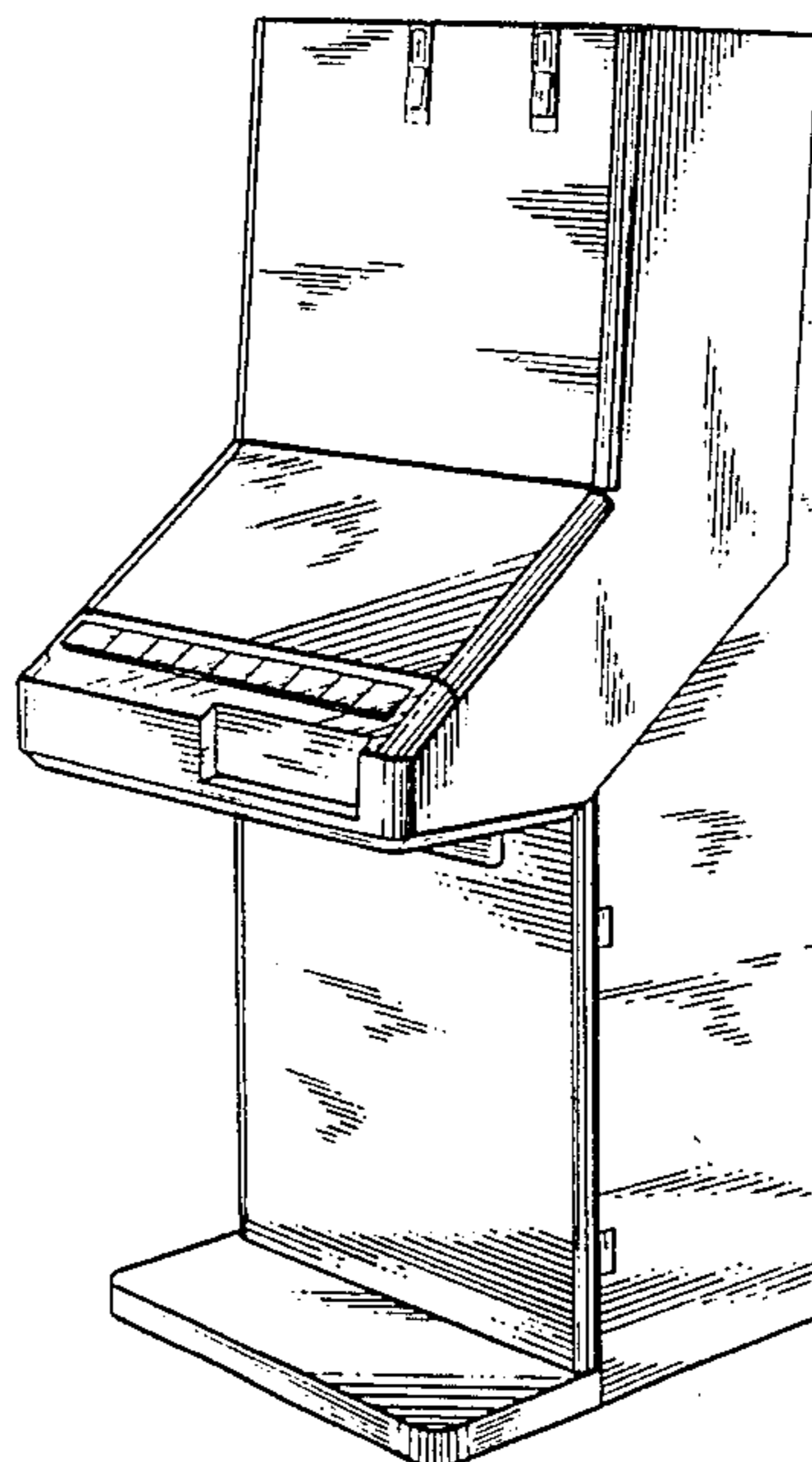
Primary Examiner—Bernard Ansher
Assistant Examiner—C. Tuttle
Attorney, Agent, or Firm—Scrivener and Clarke

[57] CLAIM

The ornamental design for gaming machine or similar article, as shown and described.

DESCRIPTION

FIG. 1 is a front perspective view of a gaming machine or similar article showing my new design; FIG. 2 is a top plan view thereof; FIG. 3 is a front elevational view thereof; FIG. 4 is a right side elevational view thereof; FIG. 5 is a left side elevational view thereof; and FIG. 6 is a rear elevational view thereof.



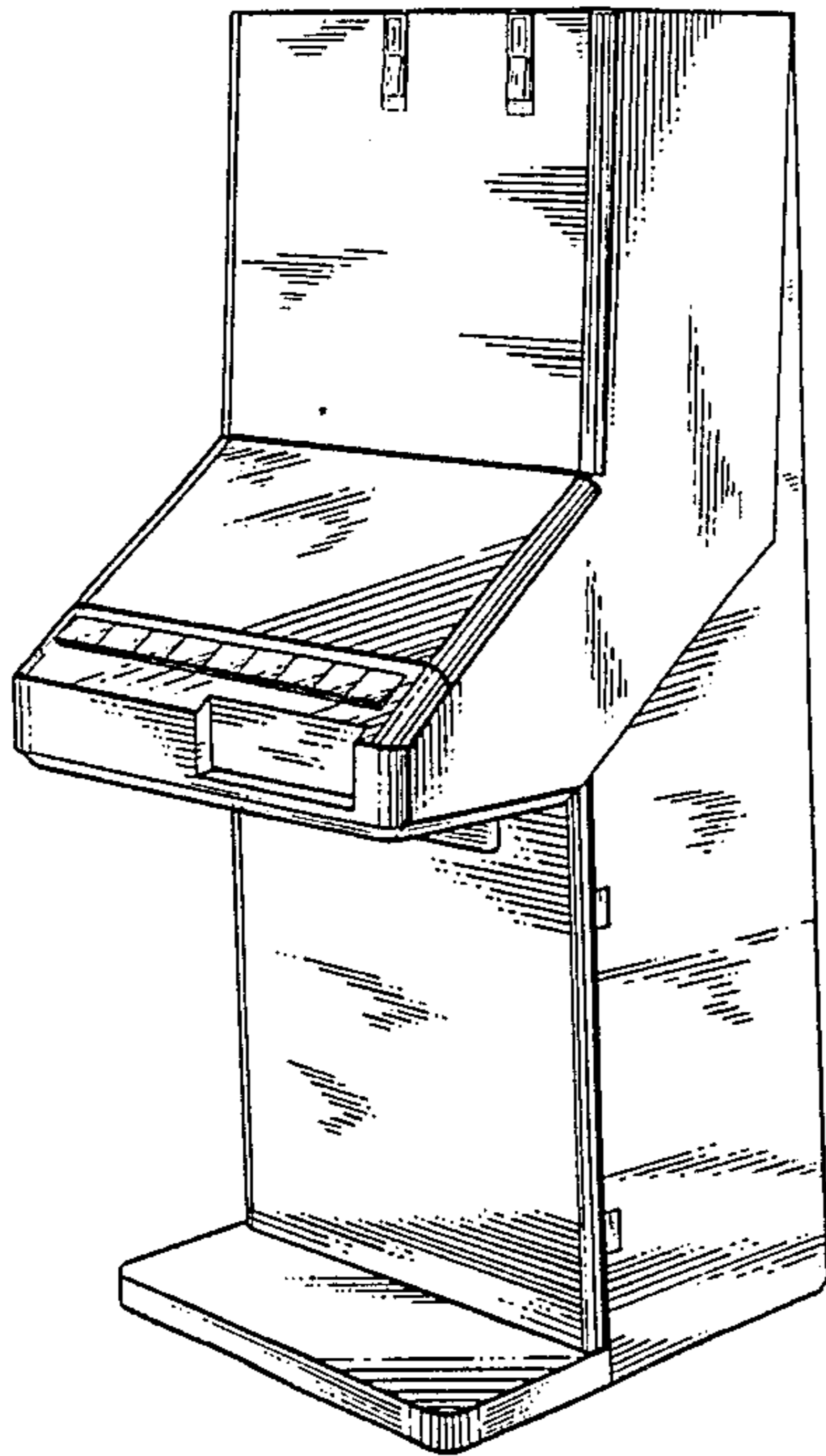


FIG. 1.

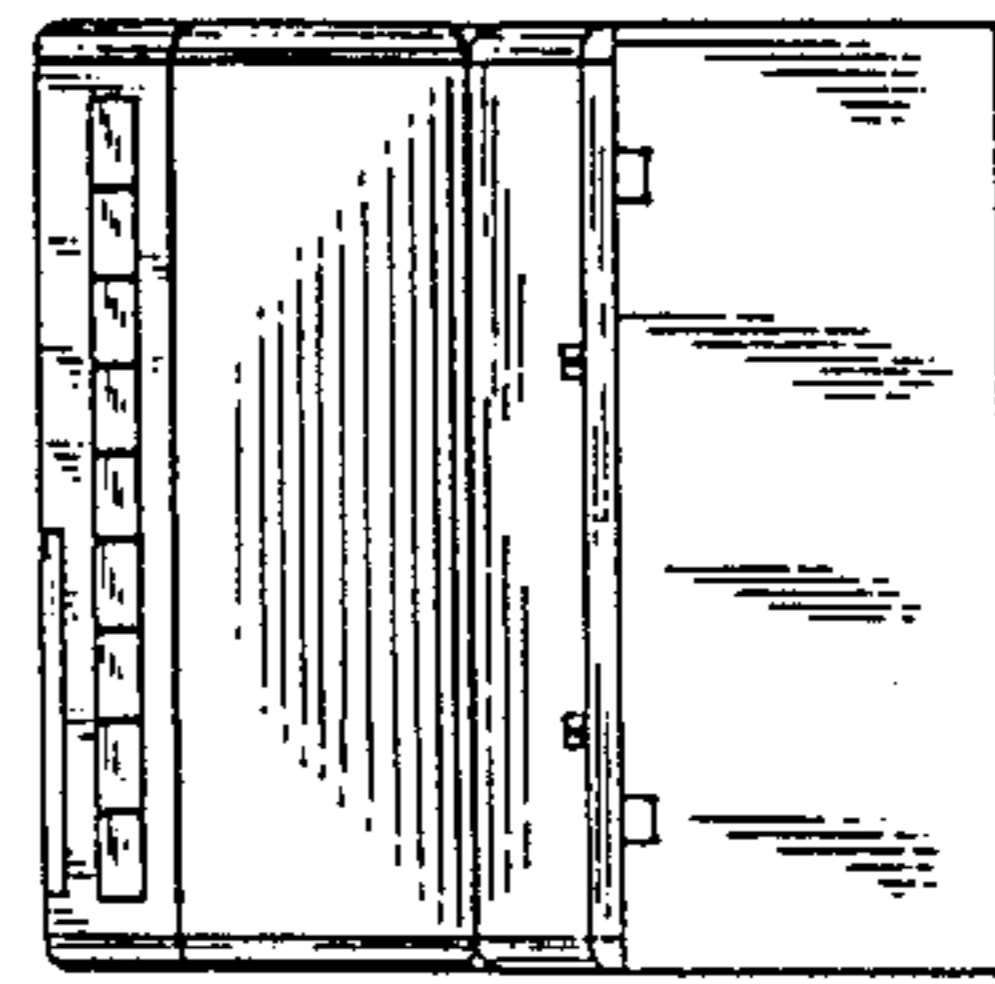


FIG. 2.

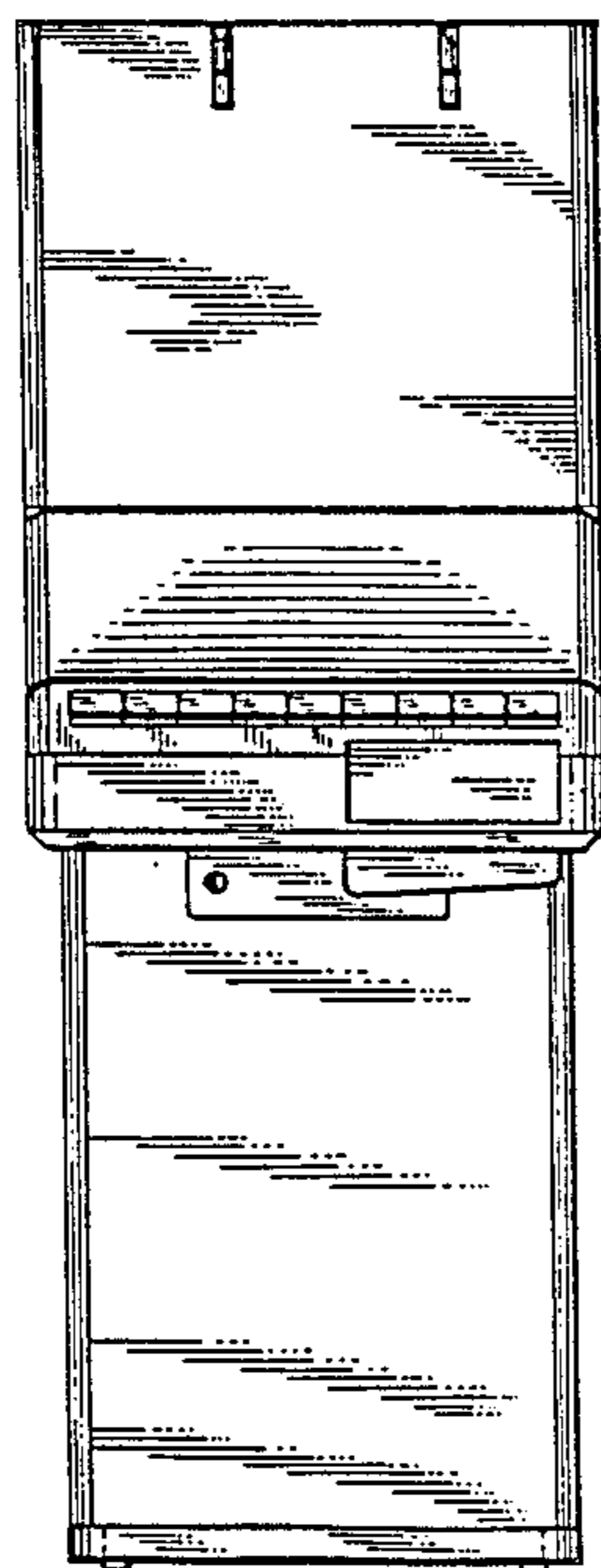


FIG. 3.

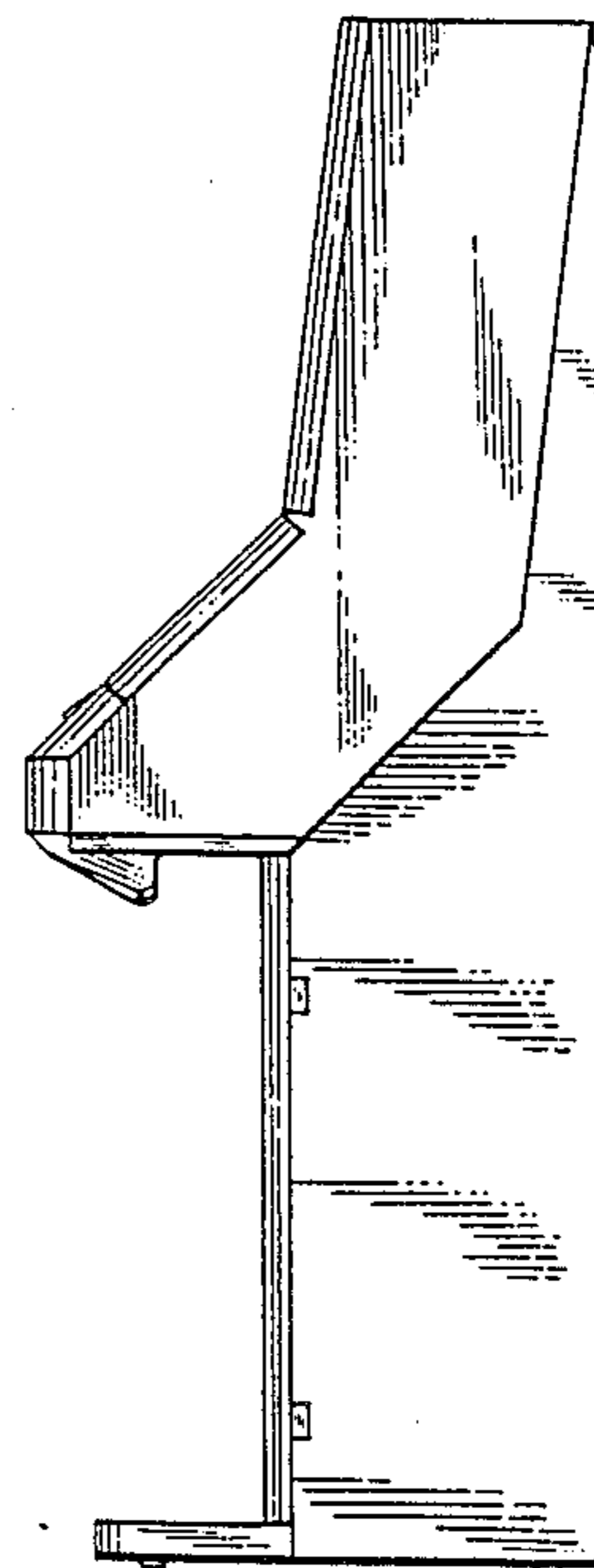


FIG. 4.

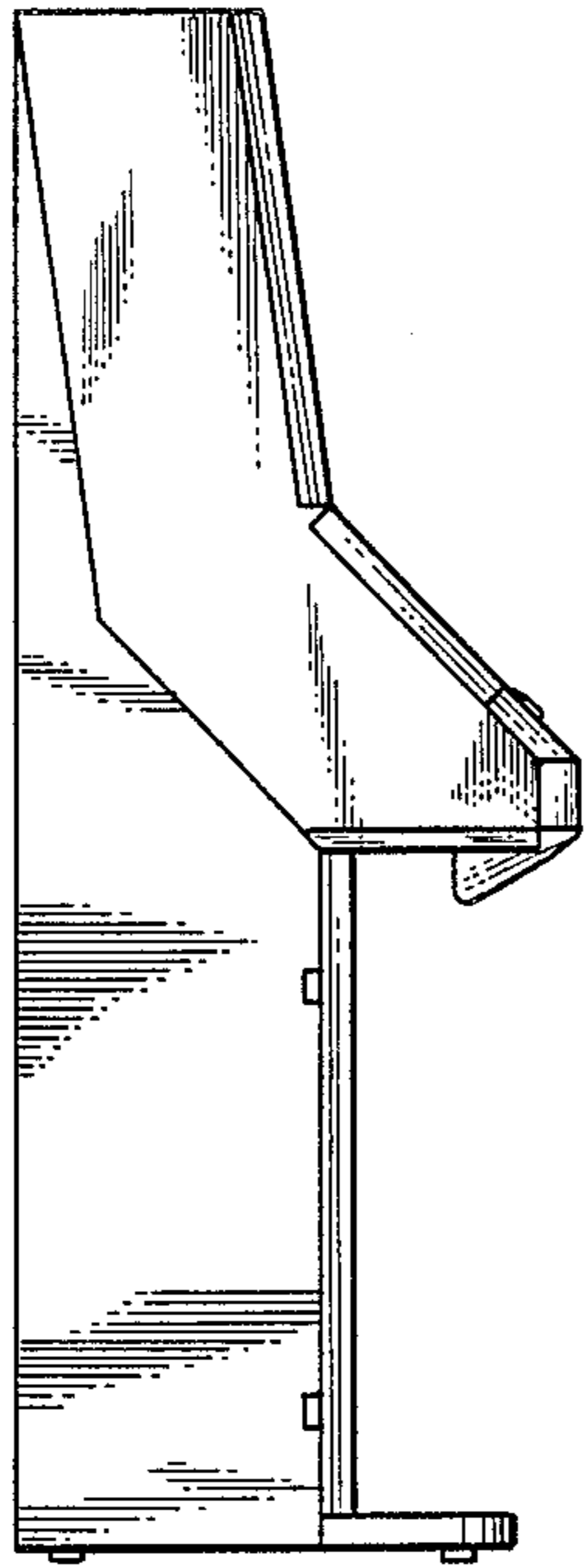


FIG. 5

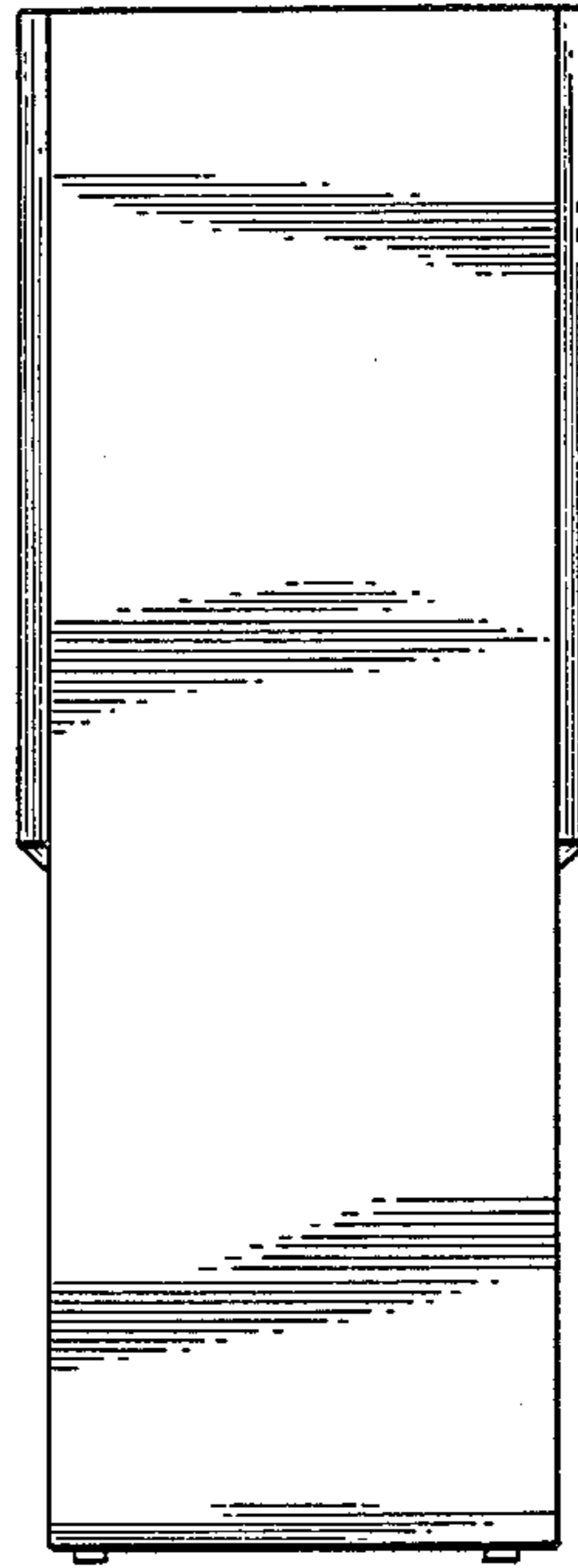


FIG. 6