

[54] DISPLAY STAND FOR ENCOURAGING CHILDREN TO BRUSH THEIR TEETH

[76] Inventor: Tom E. Lindsay, 1037 SW. Lake Front Rd., Lake Oswego, Oreg. 97034

[**] Term: 14 Years

[21] Appl. No.: 169,331

[22] Filed: Mar. 15, 1988

[52] U.S. Cl. D20/21; D19/64; D20/10

[58] Field of Search D20/10, 15, 19, 21; 40/503, 594, 605, 606, 607, 611, 612; D19/62, 63, 64

[56] References Cited

U.S. PATENT DOCUMENTS

29,095	7/1898	Ozias	D20/10
4,123,853	11/1978	Dickensheet	40/618
4,830,318	5/1989	O'Brien	40/606

OTHER PUBLICATIONS

Signs of the Times, Jan. 1981, p. 43, lower left corner (Wooden Teeth).

Primary Examiner—James M. Gandy
Assistant Examiner—Marcus Jackson
Attorney, Agent, or Firm—Milton Gerstein

[57] CLAIM

The ornamental design for a display stand for encouraging children to brush their teeth, as shown and described.

DESCRIPTION

FIG. 1 is a reduced perspective view of a display stand for encouraging children to brush their teeth showing my new design;

FIG. 2 is a side elevational view with the opposite side being a mirror image thereof;

FIG. 3 is a top plan view thereof;

FIG. 4 is a front elevational view thereof;

FIG. 5 is a rear elevational view thereof;

FIG. 6 is a bottom plan view thereof.

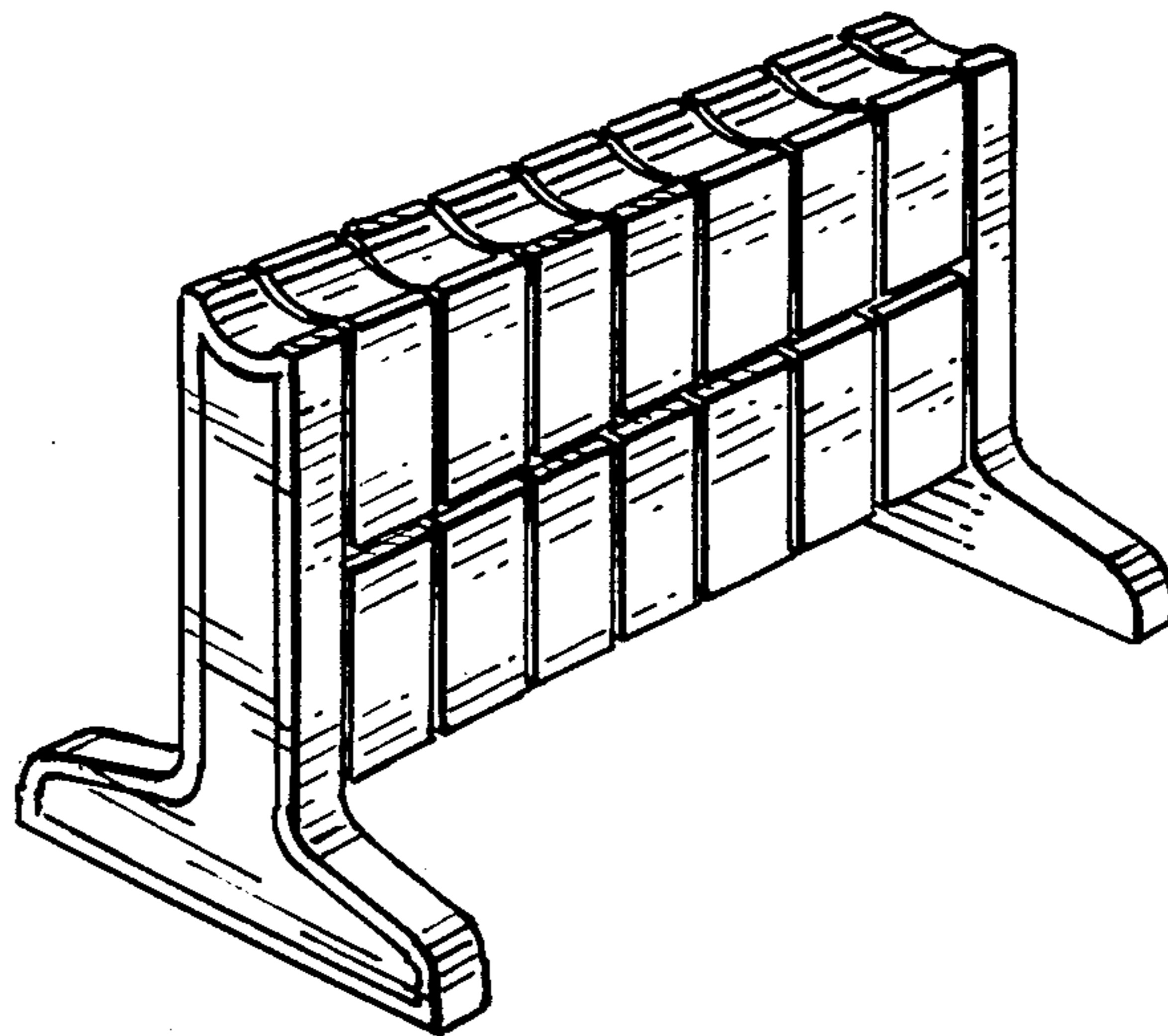


FIG. 1

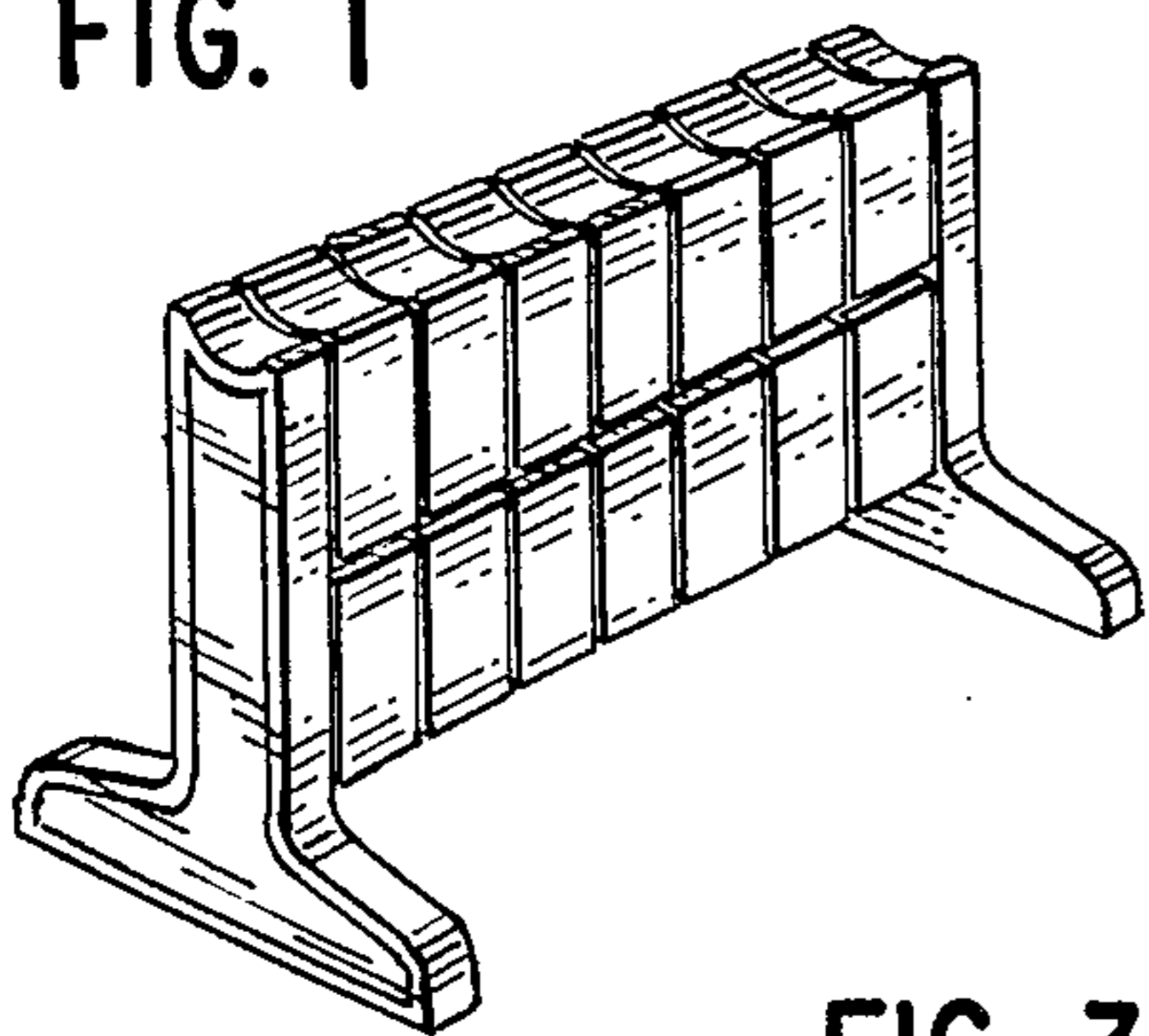


FIG. 3

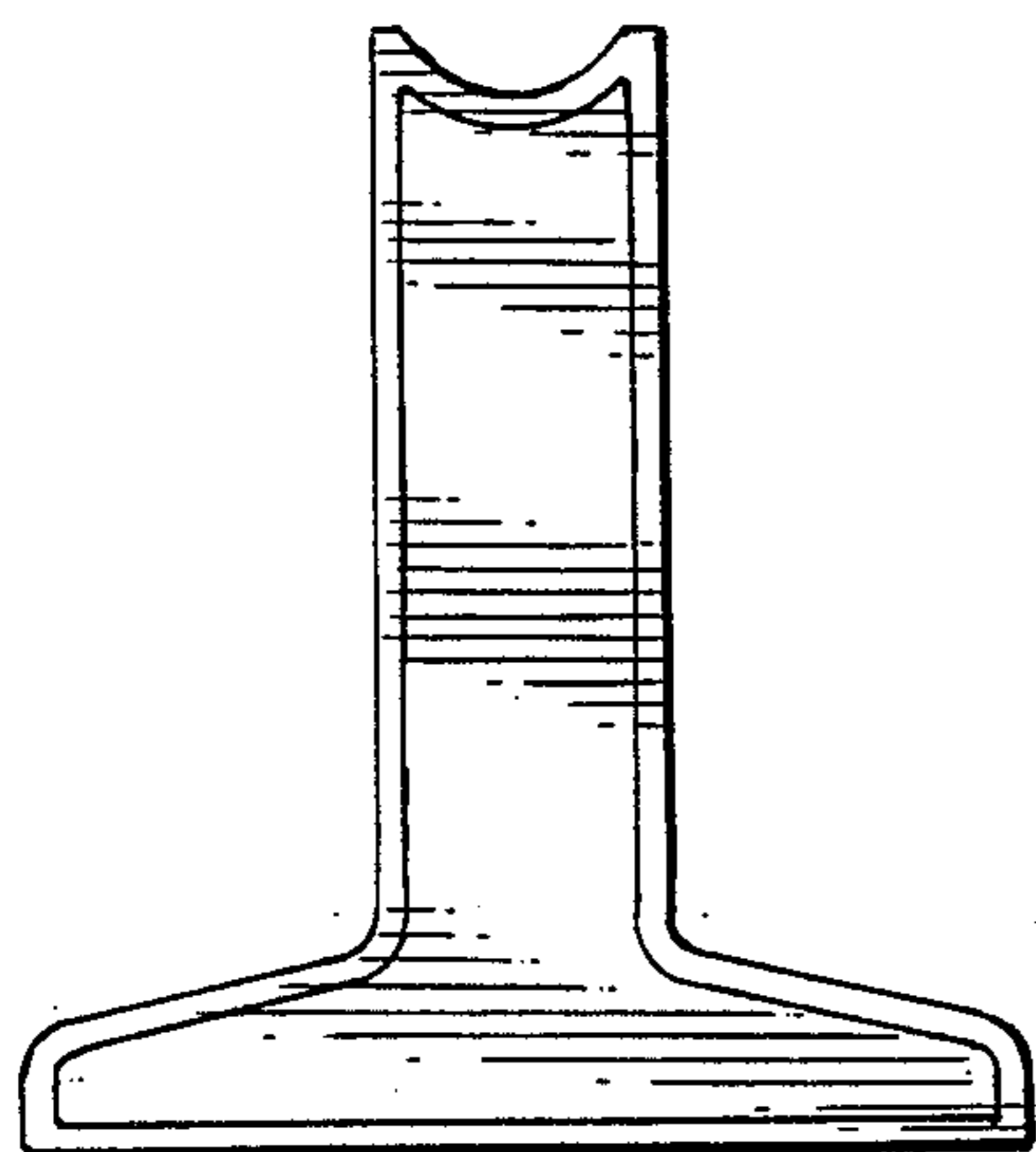
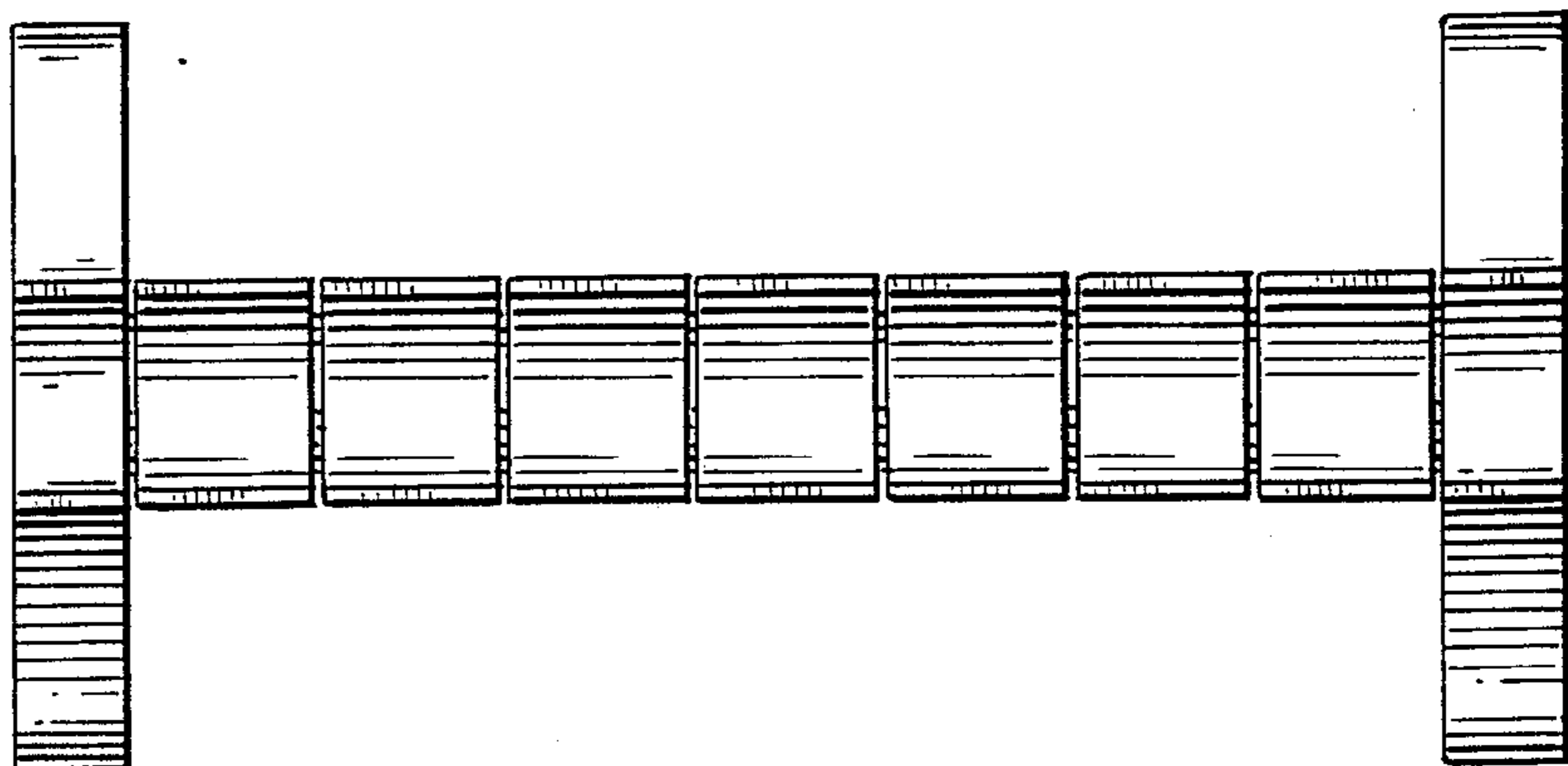


FIG. 2

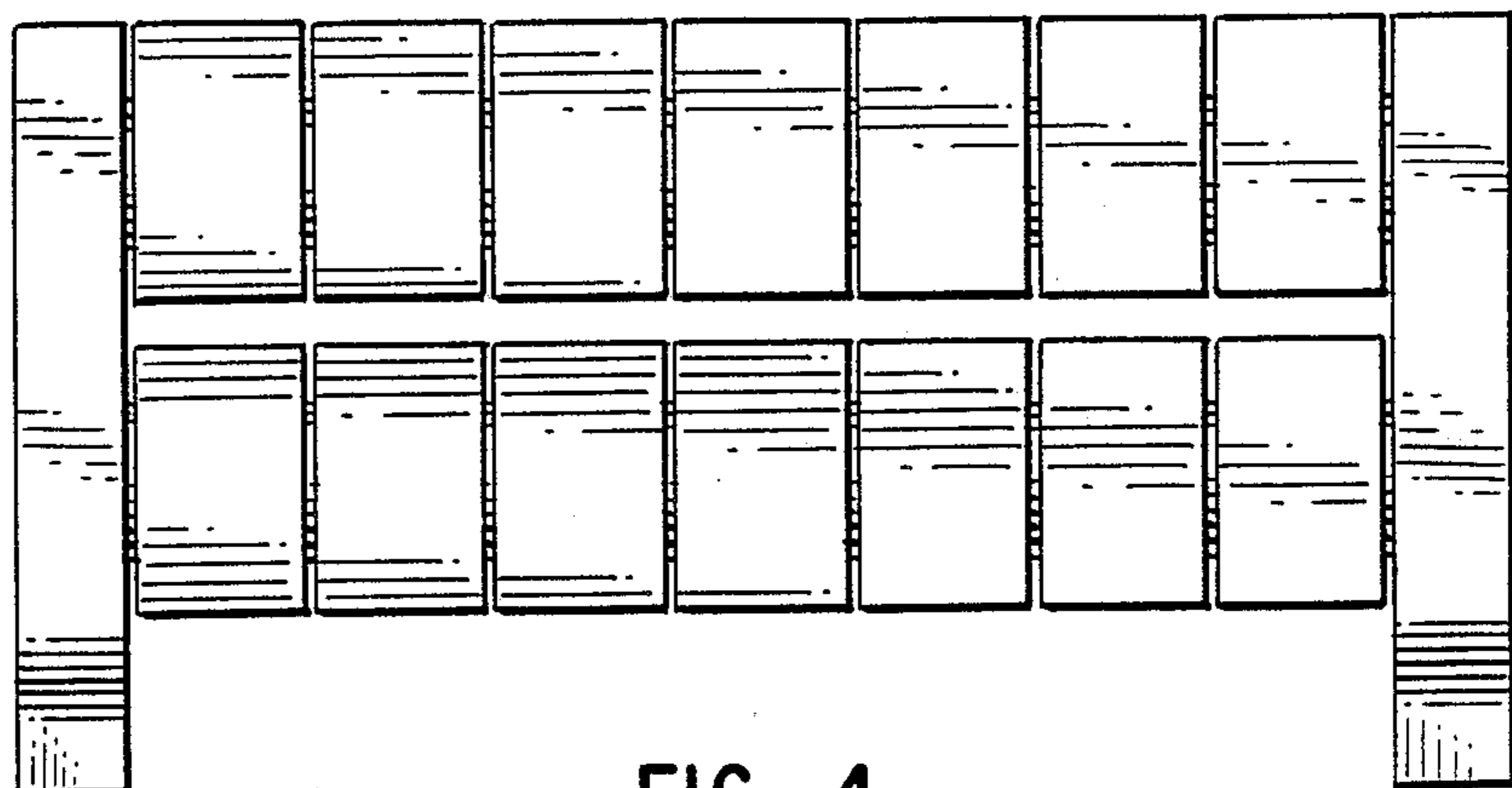


FIG. 4

FIG. 5

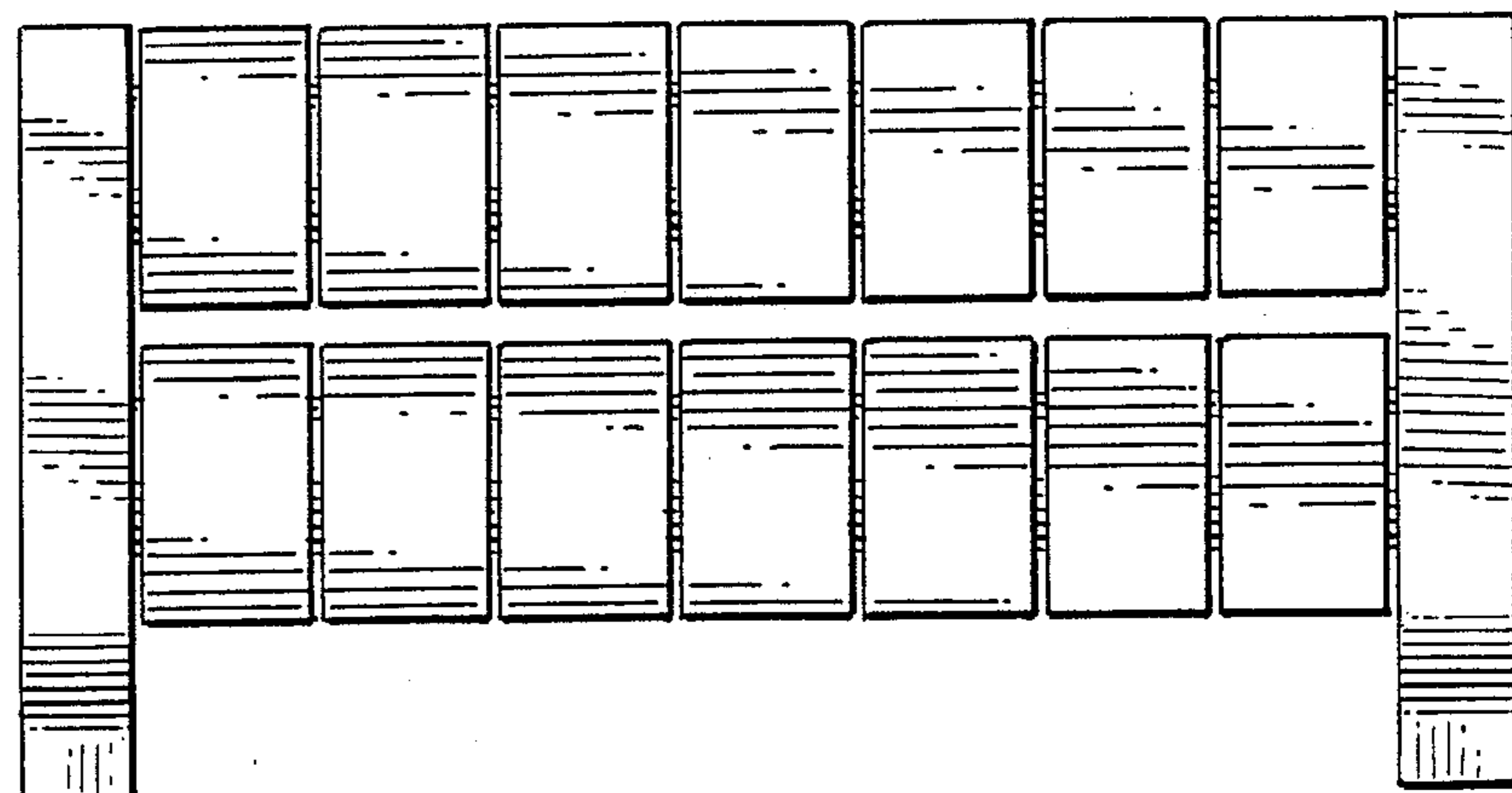


FIG. 6

