

[54] LABEL FOR GOLF EQUIPMENT

[76] Inventor: James P. Hess, 3204-6 Meadow Ave., Norman, Okla. 73071

[\*\*] Term: 14 Years

[21] Appl. No.: 159,653

[22] Filed: Feb. 24, 1988

[52] U.S. Cl. .... D20/22

[58] Field of Search ..... D20/22, 23, 26, 27, D20/29; 40/5, 6, 124.1, 618; 24/16 R, 16 PB, 17 R, 17 A

[56] References Cited

U.S. PATENT DOCUMENTS

67,661	8/1867	Locke	.....	40/6
D. 107,568	12/1937	Walker	.....	D20/22
D. 236,826	9/1975	Smith	.....	D20/22
D. 257,562	11/1980	Smith	.....	D20/27

3,473,768 10/1969 Piasecki ..... 24/16 PB

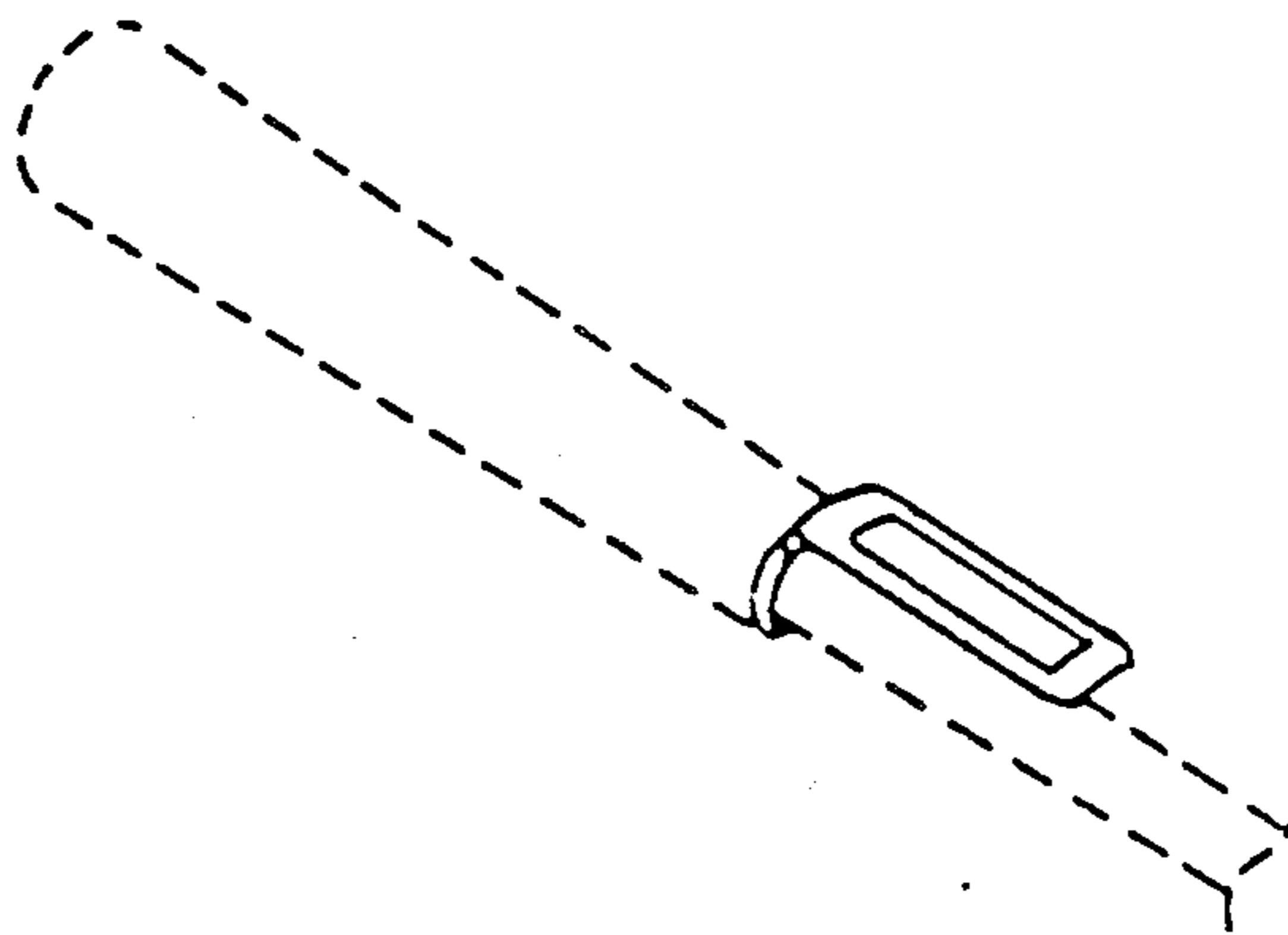
Primary Examiner—James M. Gandy  
Assistant Examiner—Marcus Jackson  
Attorney, Agent, or Firm—Glen M. Burdick

[57] CLAIM

The ornamental design for a label for golf equipment, as shown and described.

DESCRIPTION

FIG. 1 is a perspective view of a label for golf equipment showing my new design, with the golf grip and shaft in broken lines for illustrative purposes only and forming no part of the claimed design; FIG. 2 is a top plan view thereof; FIG. 3 is a bottom plan view thereof; FIG. 4 is a right side elevational view thereof; FIG. 5 is a left side elevational view thereof; FIG. 6 is a front elevational view thereof; and FIG. 7 is a rear elevational view thereof.



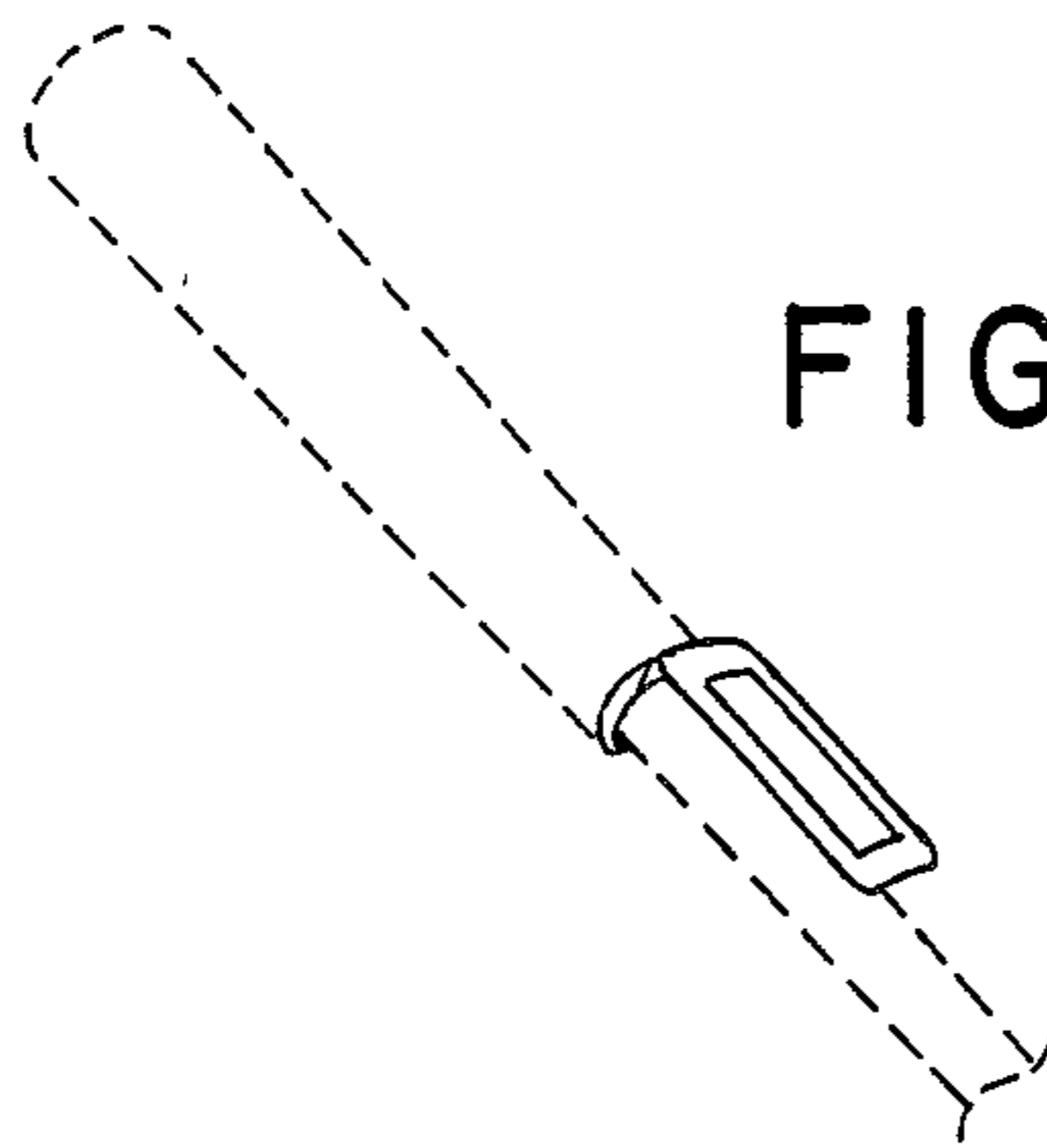


FIG. 1

FIG. 2



FIG. 3

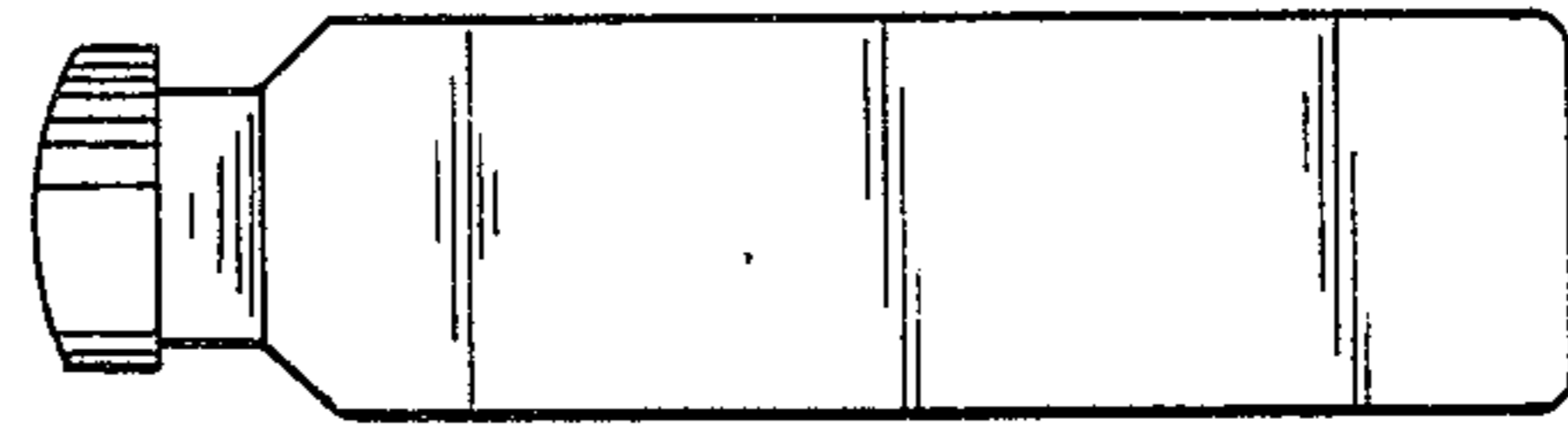


FIG. 4

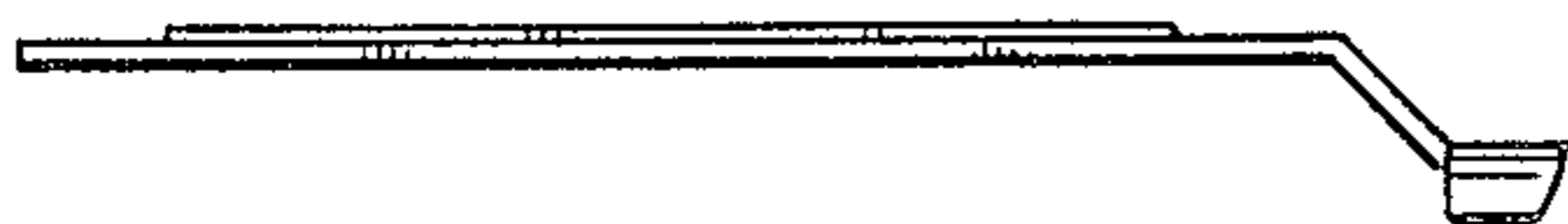


FIG. 5

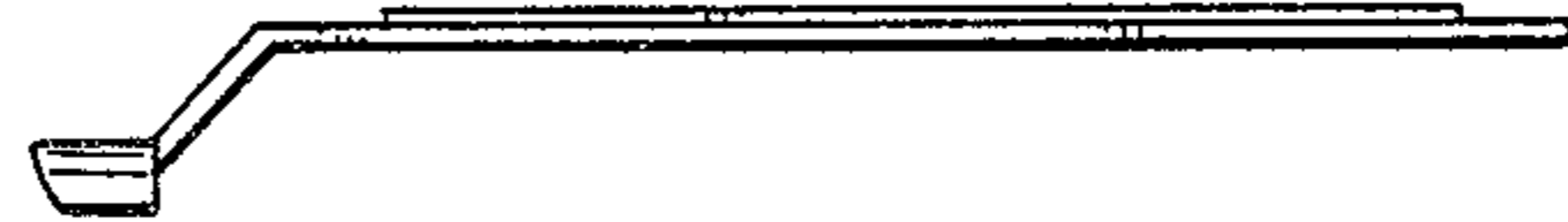


FIG. 6



FIG. 7

