

[54] TABLE-MOUNTABLE ADJUSTABLE COPY HOLDER

[76] Inventor: Fritz Sträter, Unterm Bamberg 1, D-5882 Meinerzhagen, Fed. Rep. of Germany

[**] Term: 14 Years

[21] Appl. No.: 38,344

[22] Filed: Apr. 14, 1987

[30] Foreign Application Priority Data

Oct. 15, 1986 [DE] Fed. Rep. of Germany MR641

[52] U.S. Cl. D19/88; D19/90; D19/91

[58] Field of Search D19/52, 86, 88, 90, D19/91, 99, 100; 40/341, 352, 357; 281/42

[56] References Cited

U.S. PATENT DOCUMENTS

D. 182,578 4/1958 Flemming D19/88

D. 234,592 3/1975 Callaway D19/88
D. 279,482 7/1985 Ermanskir D19/91
D. 280,218 8/1985 Szablak et al. D19/91

OTHER PUBLICATIONS

Guinn's Office Supply Catalog ©1984 p. 90 See copy holder pictured lower left.

BA Pargh Company Inc. ©1985 p. 59 see adjustable arm copyholder left center.

Primary Examiner—Bruce W. Dunkins

Assistant Examiner—Martha Thompson

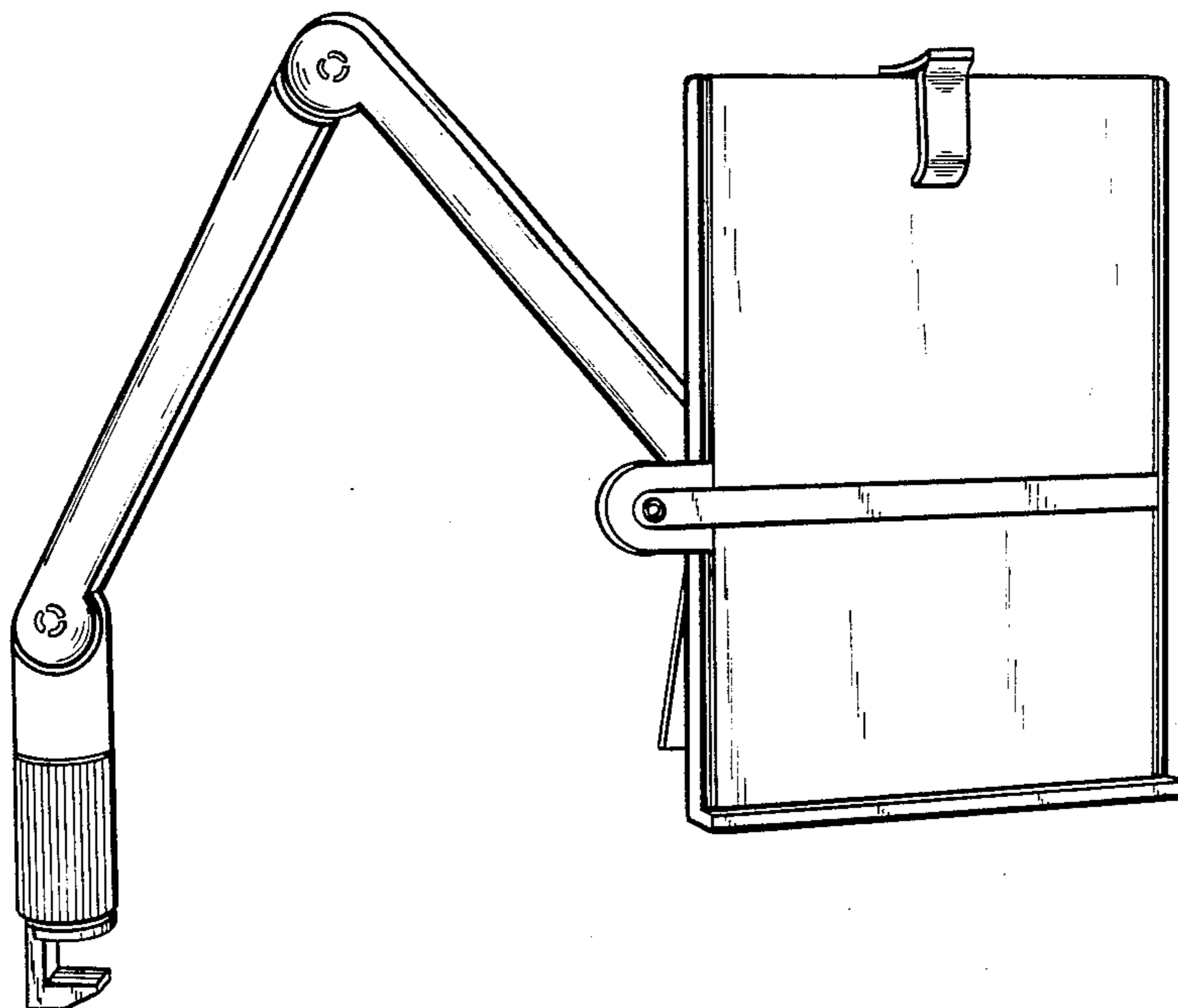
Attorney, Agent, or Firm—Herbert Dubno

[57] CLAIM

The ornamental design for a table-mountable adjustable copy holder, as shown and described.

DESCRIPTION

FIG. 1 is a left front perspective view of a table-mountable adjustable copy holder showing my new design; FIG. 2 is a left side elevational view; and FIG. 3 is a right rear perspective view thereof.



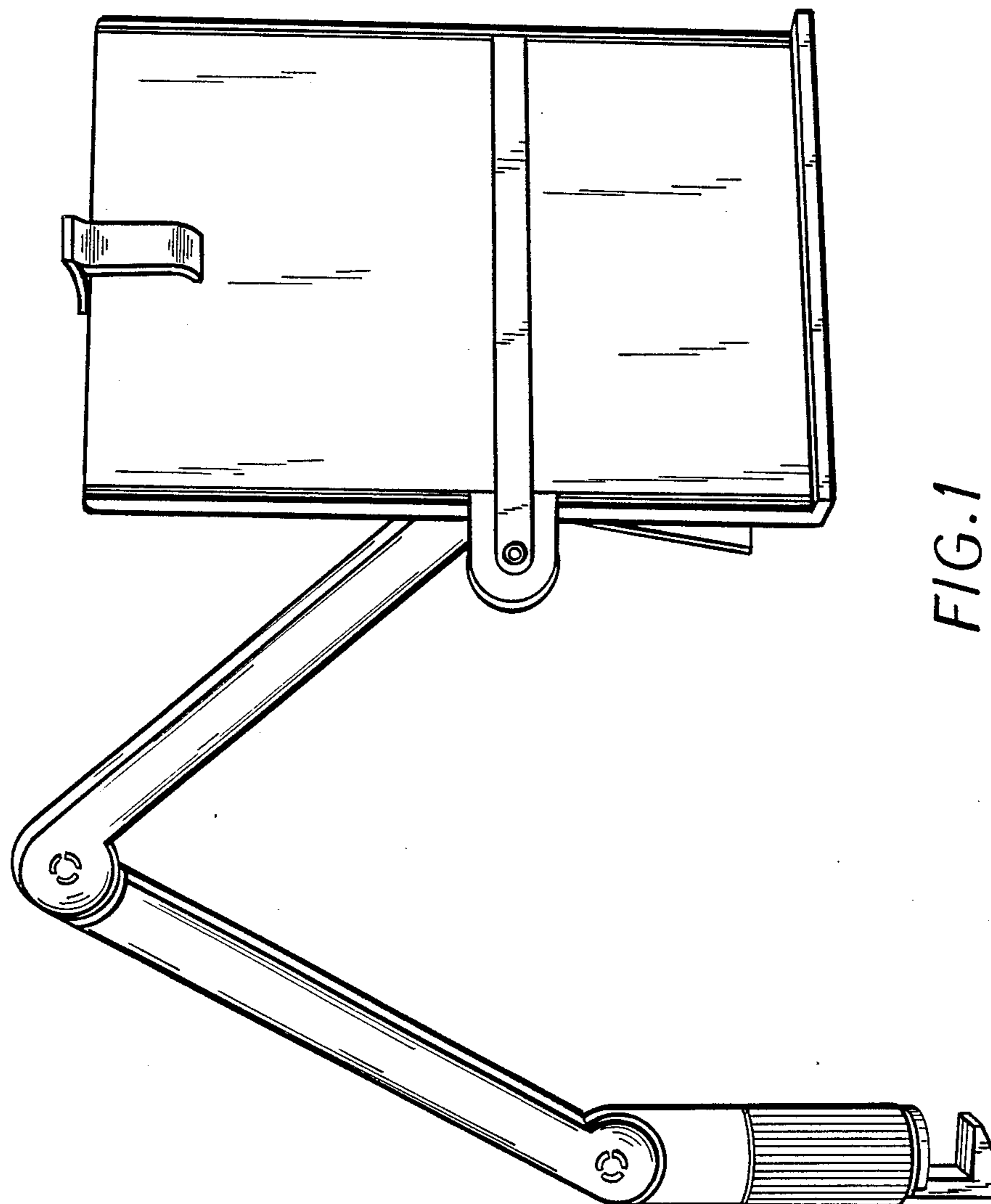


FIG. 1

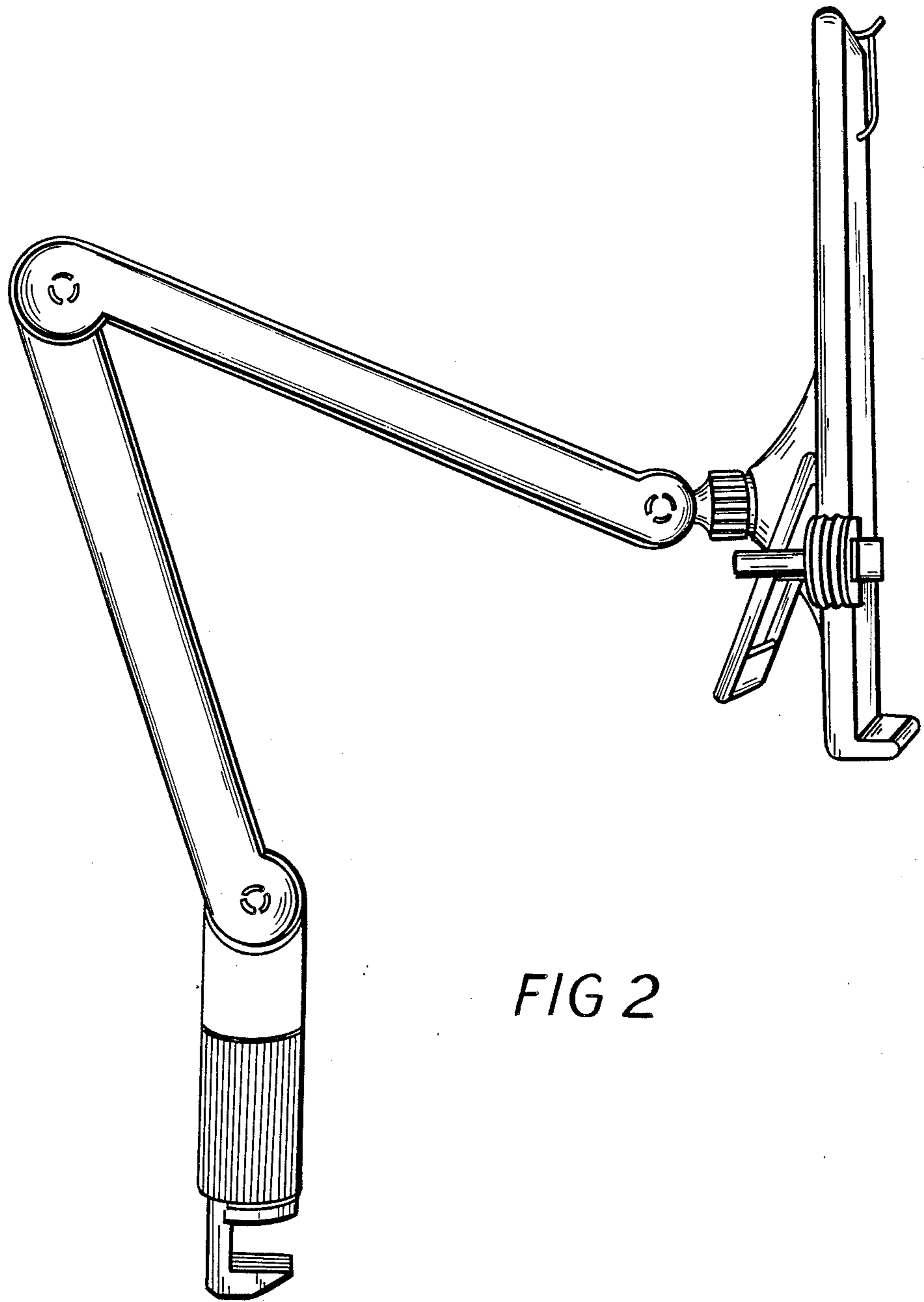


FIG 2

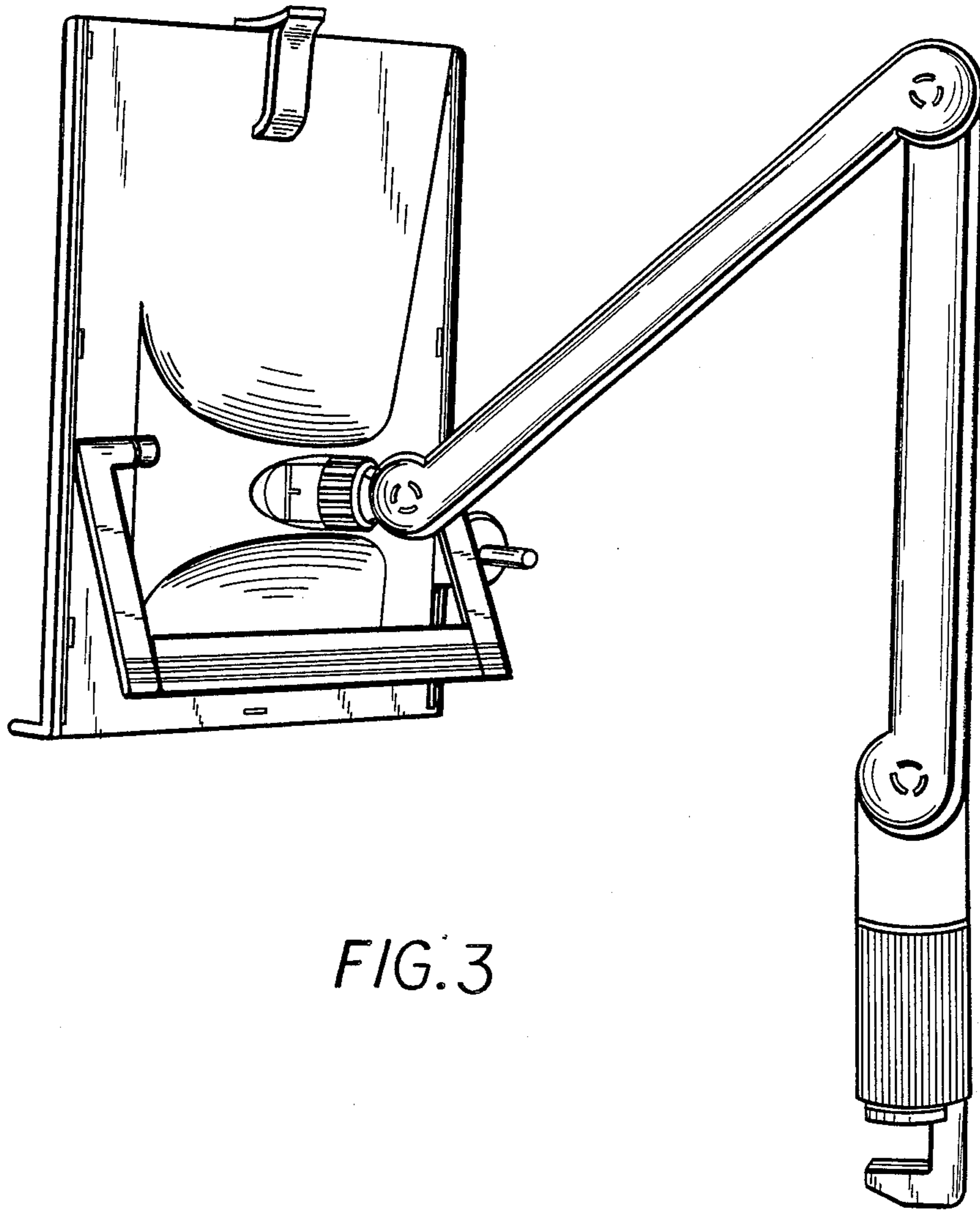


FIG. 3