

- [54] **COMBINED GRASS CATCHER BLOWER AND CHUTE**
- [76] Inventor: **Thomas L. Hoepfner**, 98 Prairiewood Dr., Fargo, N. Dak. 58103
- [**] Term: **14 Years**
- [21] Appl. No.: **45,137**
- [22] Filed: **May 4, 1987**
- [52] U.S. Cl. **D15/17**
- [58] Field of Search **D15/14, 15, 17; 56/194, 56/202, 320.1, 320.2**

- 4,573,306 3/1986 Smith et al. .
- 4,614,080 9/1986 Hoepfner et al. .
- 4,631,909 12/1986 McLane 56/202
- 4,696,432 9/1987 Russ et al. .
- 4,700,534 10/1987 Reilly .
- 4,711,073 12/1987 Freier, Jr. et al. .
- 4,735,037 4/1988 Benter 56/202

OTHER PUBLICATIONS

- Sears—"Year Round Tractors", p. 20, Jan. 1968.
- Grasshopper Company—"Grasshopper Delivers . . .", Nov. 1978.
- John Deere—"Lawn & Garden Line", p. 7, Jan. 1981.
- E-Z Rake, Inc.—"E-Z VAC," Lebanon, Inc., undated.
- Grasshopper Company—"Your Next Mower" undated.
- Grass Pump Inc. brochures—"The Grass Pump" undated.
- PeCo brochures—"PeCo Lawn Vacs—John Deere, Dix ZTR, Cub Cadet, 1 H Cub Cadet, and Gilson Tractors", undated.
- Toro brochure—Arnold Palmer signature, 1983.
- Simplicity Mfg., Inc. brochure—"Lawn Care Systems", 1984.
- Dixon Industries, Inc. brochure—"Dixon Advantage", Oct. 1984.
- John Deere brochures—"Lawn & Garden Tractors"—Lawn Tractors & Riding Mowers, Nov. 1985.
- MTI Distributing Co. advertisement—"Toro Groundsmasters", 1986 Snapper advertisements, undated.

[56] **References Cited**
U.S. PATENT DOCUMENTS

- D. 213,328 2/1969 Smith et al. .
- D. 241,060 8/1976 Leader D15/17
- D. 250,892 1/1979 Jackson .
- D. 285,690 9/1986 Hoepfner et al. .
- D. 290,366 6/1987 Hoepfner et al. .
- 2,815,634 12/1957 Bush .
- 2,843,991 7/1958 Poehls .
- 2,920,435 1/1960 Vallome .
- 3,037,339 6/1962 Nicholson .
- 3,058,284 10/1962 Anderson .
- 3,065,588 11/1962 Shaw .
- 3,134,214 5/1964 Shaw .
- 3,316,696 5/1967 Florido .
- 3,367,092 2/1968 Gifford .
- 3,657,865 4/1972 Ober .
- 3,736,736 6/1973 Myers .
- 3,778,865 12/1973 Schmidt, Jr. et al. .
- 3,783,592 1/1974 Schraut .
- 3,888,072 6/1975 Templeton .
- 3,906,709 9/1975 Rhodes .
- 3,925,968 12/1975 Wagenhals .
- 3,987,606 10/1976 Evans .
- 4,043,100 8/1977 Aumann et al. .
- 4,081,947 4/1978 Szymanis .
- 4,095,398 6/1978 Aumann et al. .
- 4,104,852 8/1978 Tackett .
- 4,106,272 8/1978 Peterson et al. .
- 4,114,353 9/1978 Ansbaugh et al. .
- 4,188,160 2/1980 Corbett et al. .
- 4,193,249 3/1980 Tackett .
- 4,345,416 8/1982 Cameron .
- 4,433,532 2/1984 McCunn .
- 4,472,929 9/1984 MacCanna et al. .
- 4,532,755 8/1985 Schemelin et al. .

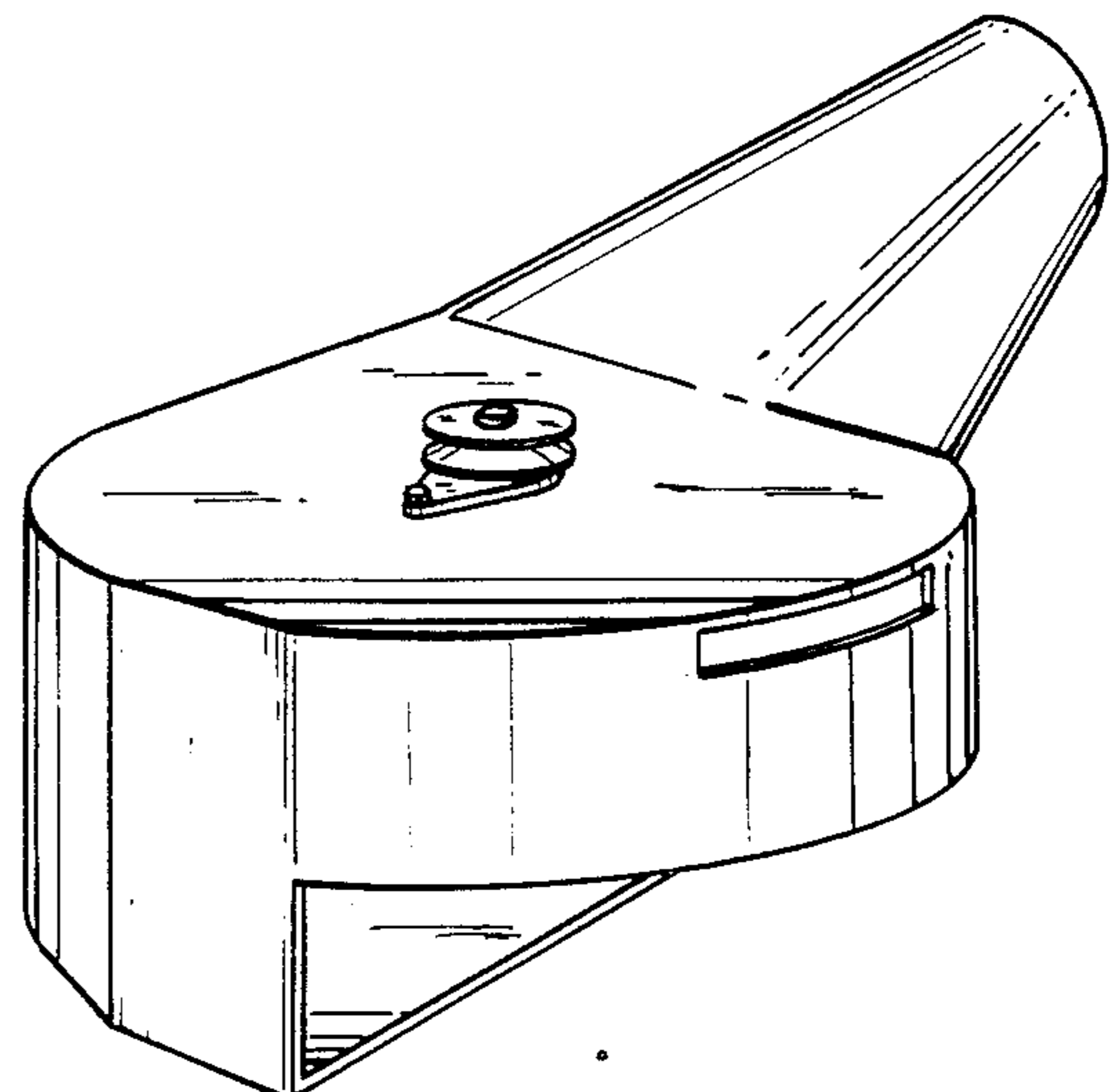
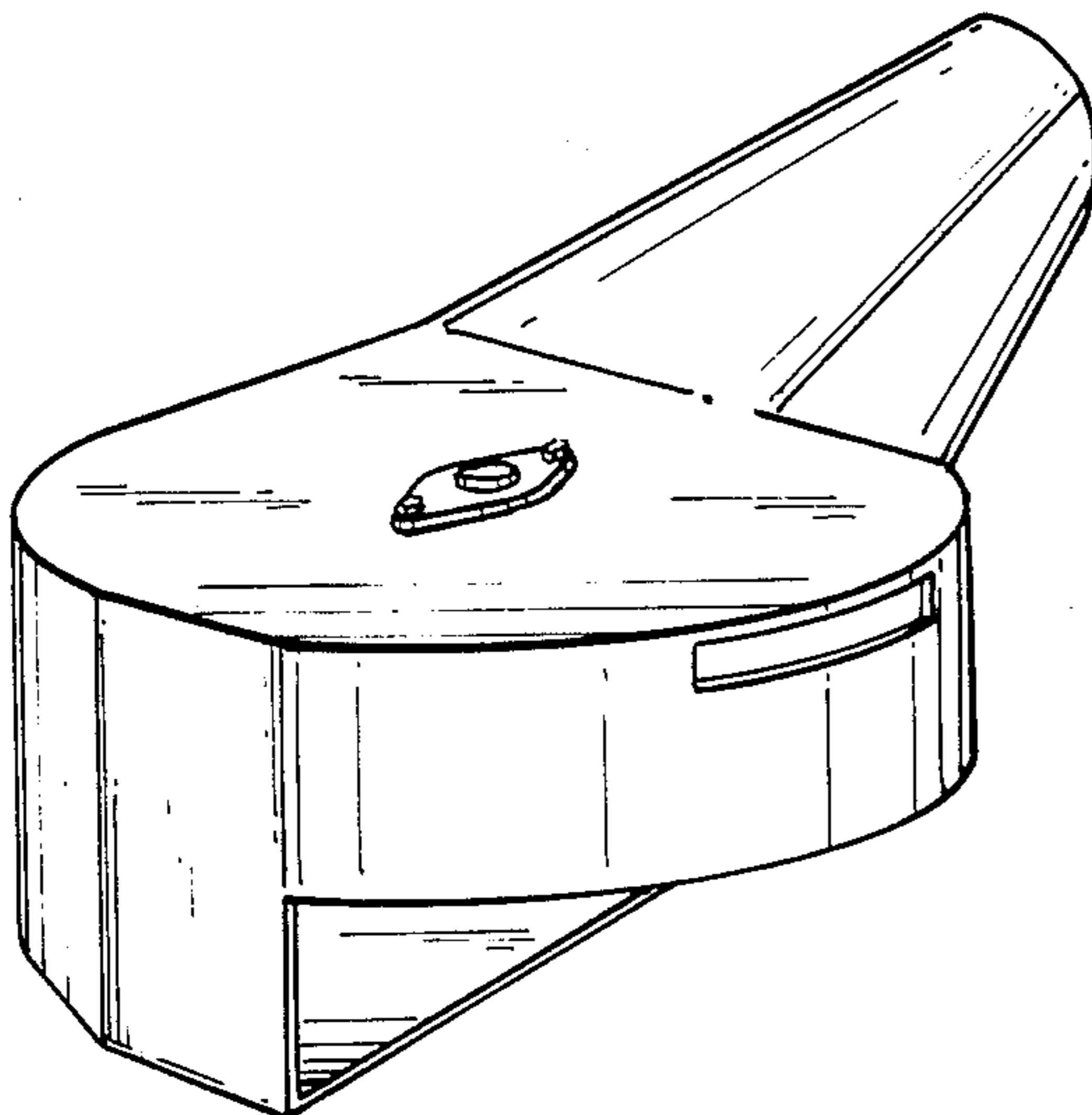
Primary Examiner—B. J. Bullock
Assistant Examiner—Sandra Morris
Attorney, Agent, or Firm—Richard O. Bartz

[57] **CLAIM**

The ornamental design for a combined grass catcher blower and chute, as shown and described.

DESCRIPTION

FIG. 1 is a perspective view of a combined grass catcher blower and chute showing my new design; FIG. 2 is a top view thereof; FIG. 3 is a bottom view thereof; FIG. 4 is a front elevational view thereof; FIG. 5 is a left side elevational view thereof; FIG. 6 is a right side elevational view thereof; FIG. 7 is a rear elevational view thereof;



Des. 311,406

Page 2

FIG. 8 is a perspective view of a second embodiment of FIG. 1;
FIG. 9 is a top view of FIG. 8;
FIG. 10 is a bottom view of FIG. 8;

FIG. 11 is a front elevational view of FIG. 8;
FIG. 12 is a left side elevational view of FIG. 8;
FIG. 13 is a right side elevational view of FIG. 8;
FIG. 14 is a rear elevational view of FIG. 8.

FIG. 1

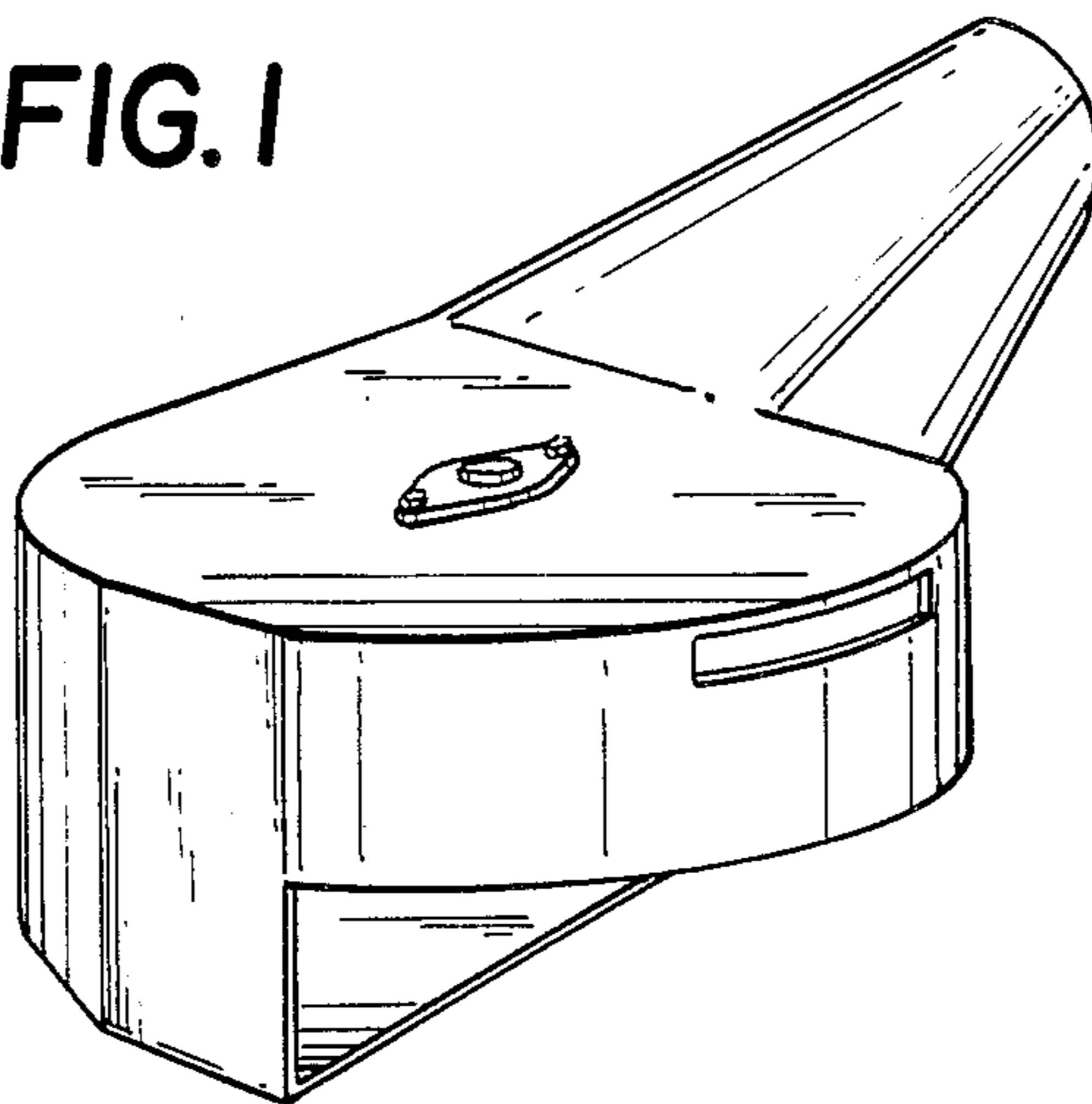


FIG. 2

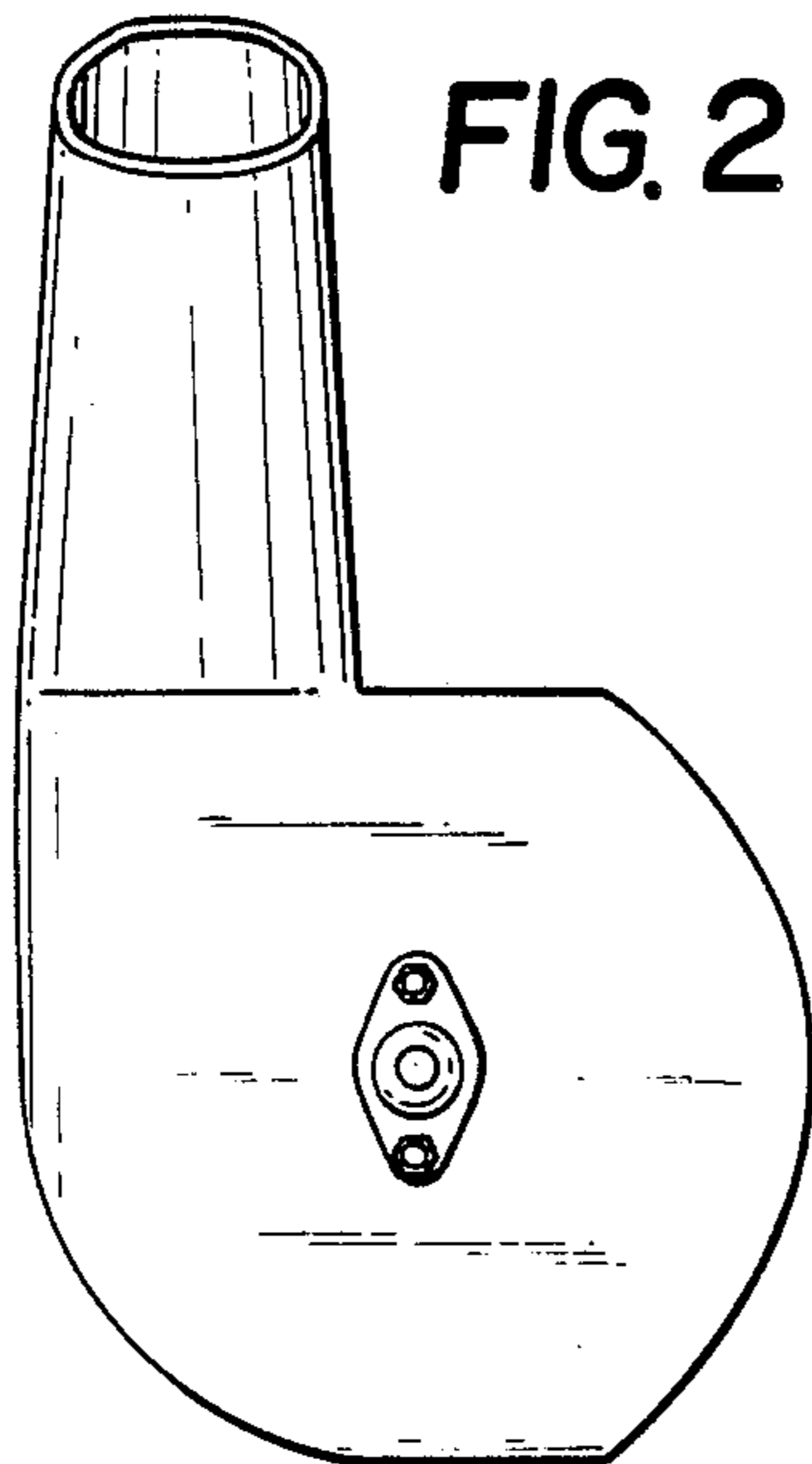


FIG. 3

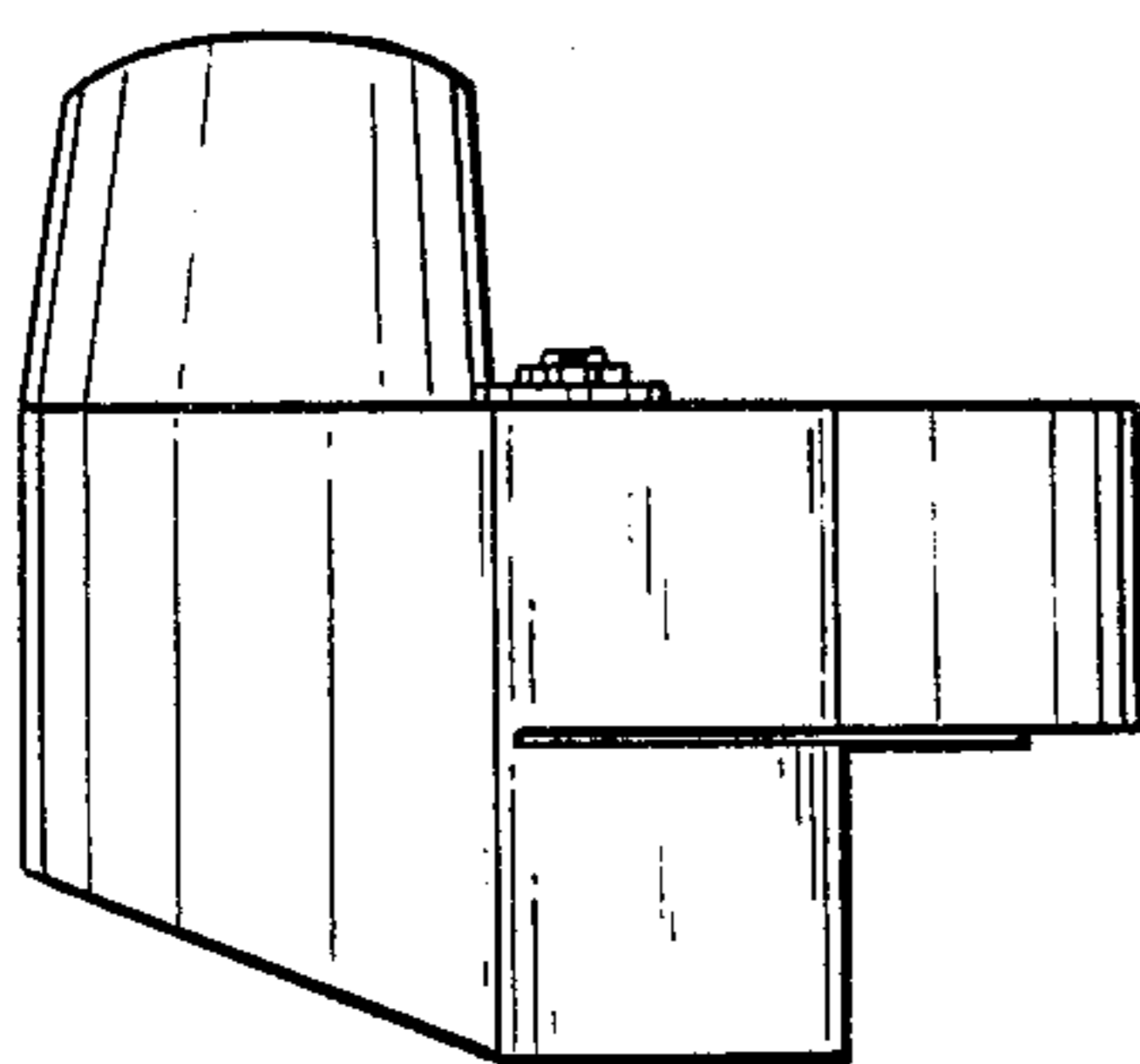
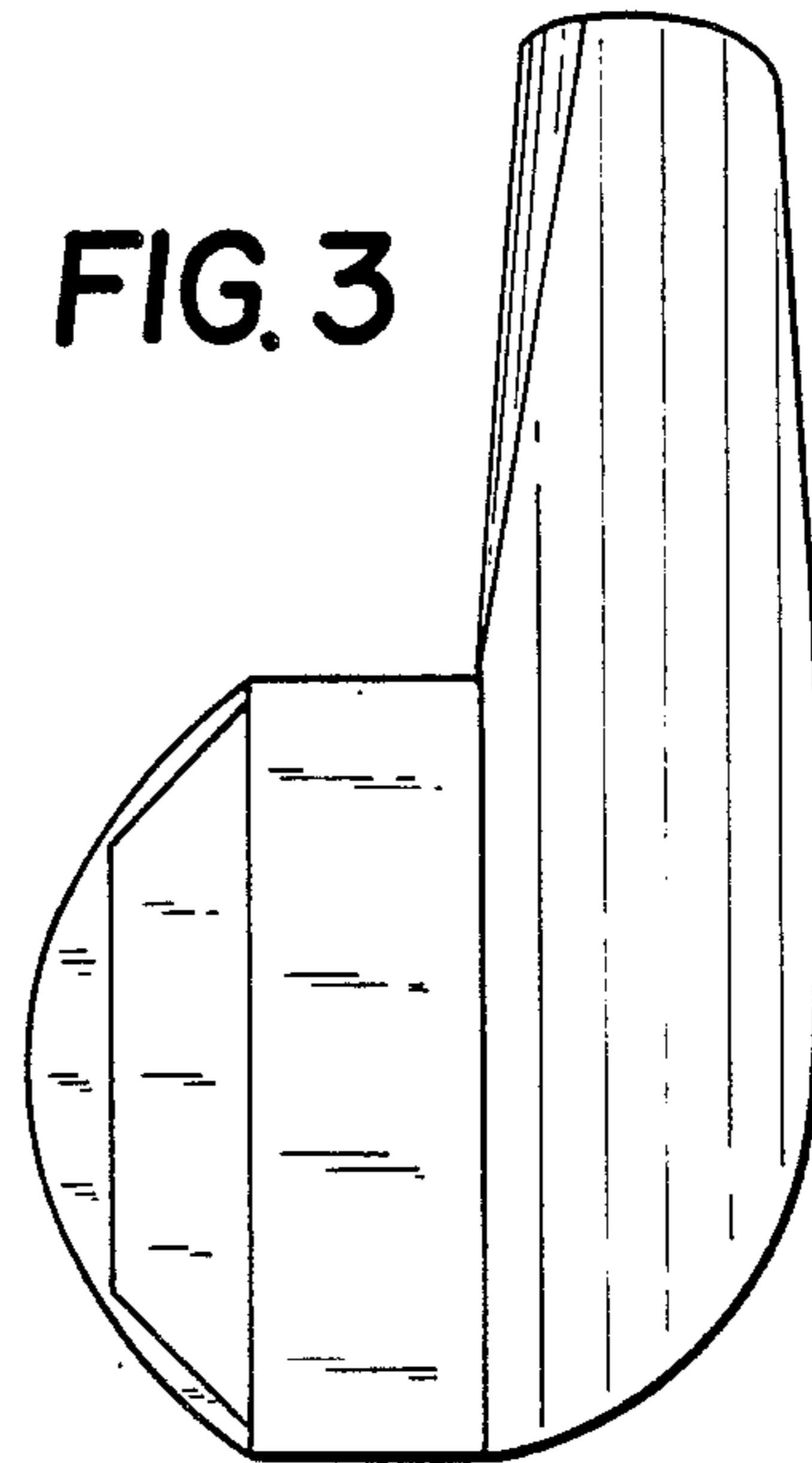


FIG. 4

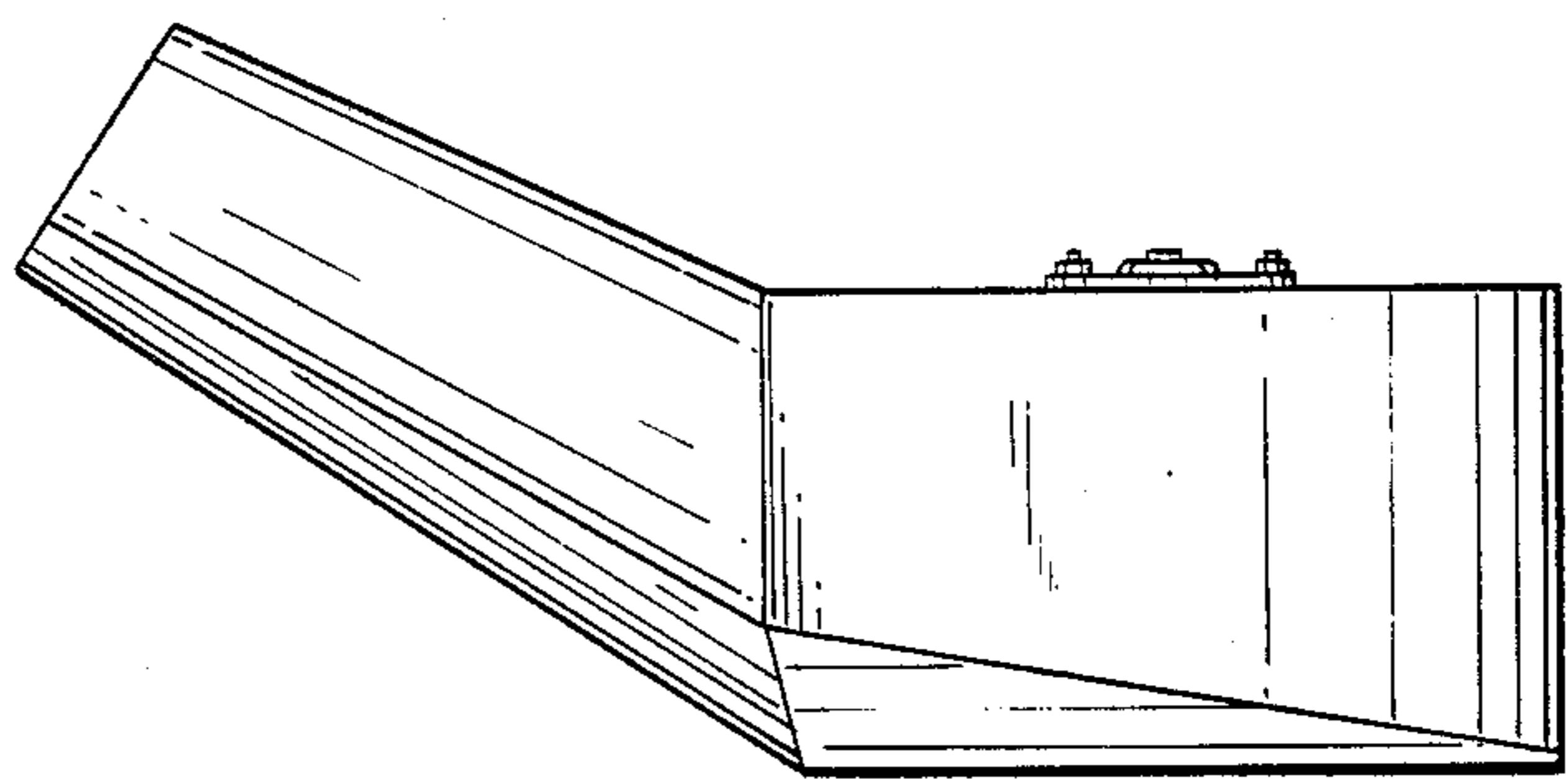


FIG. 5

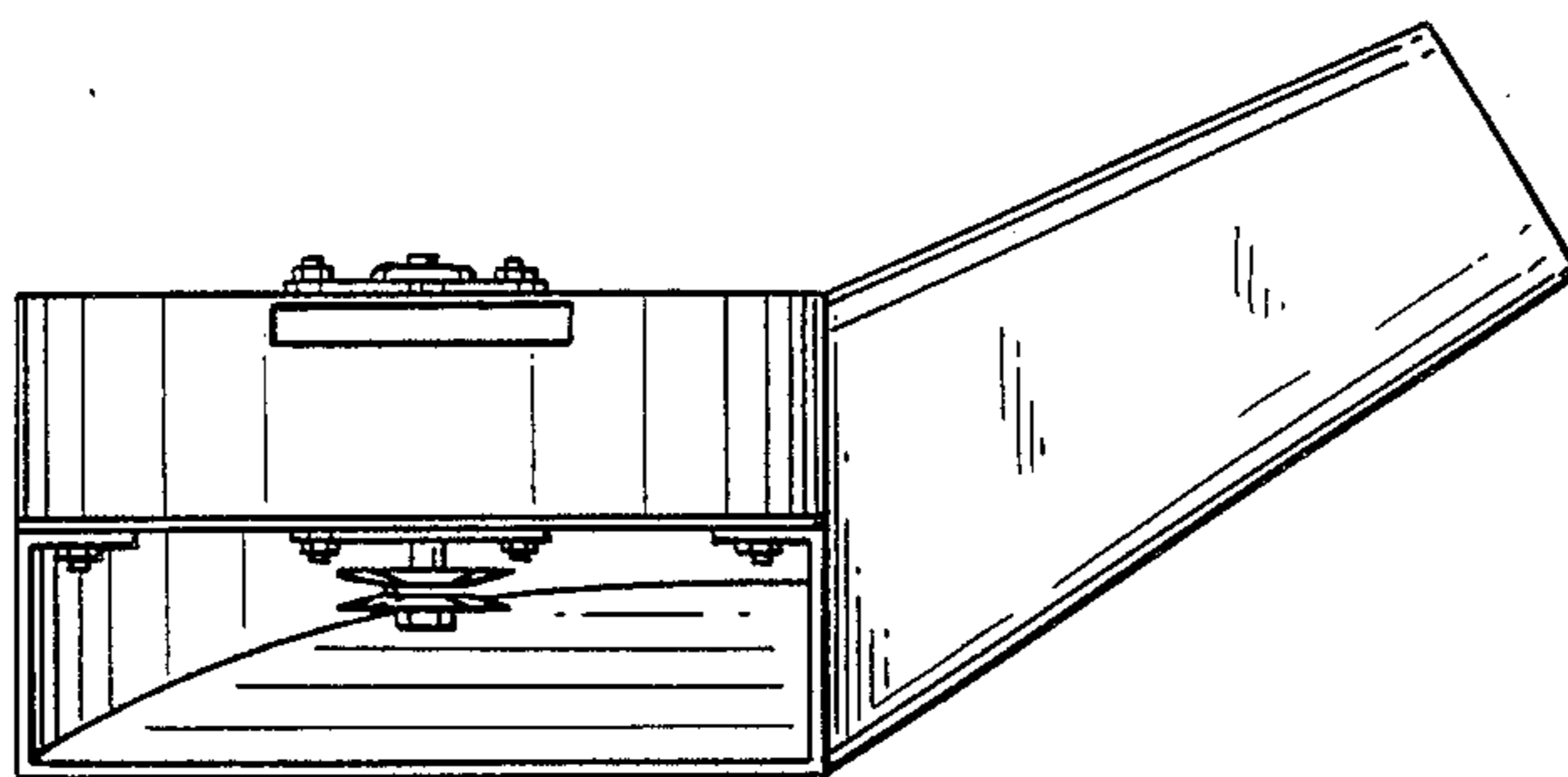


FIG. 6

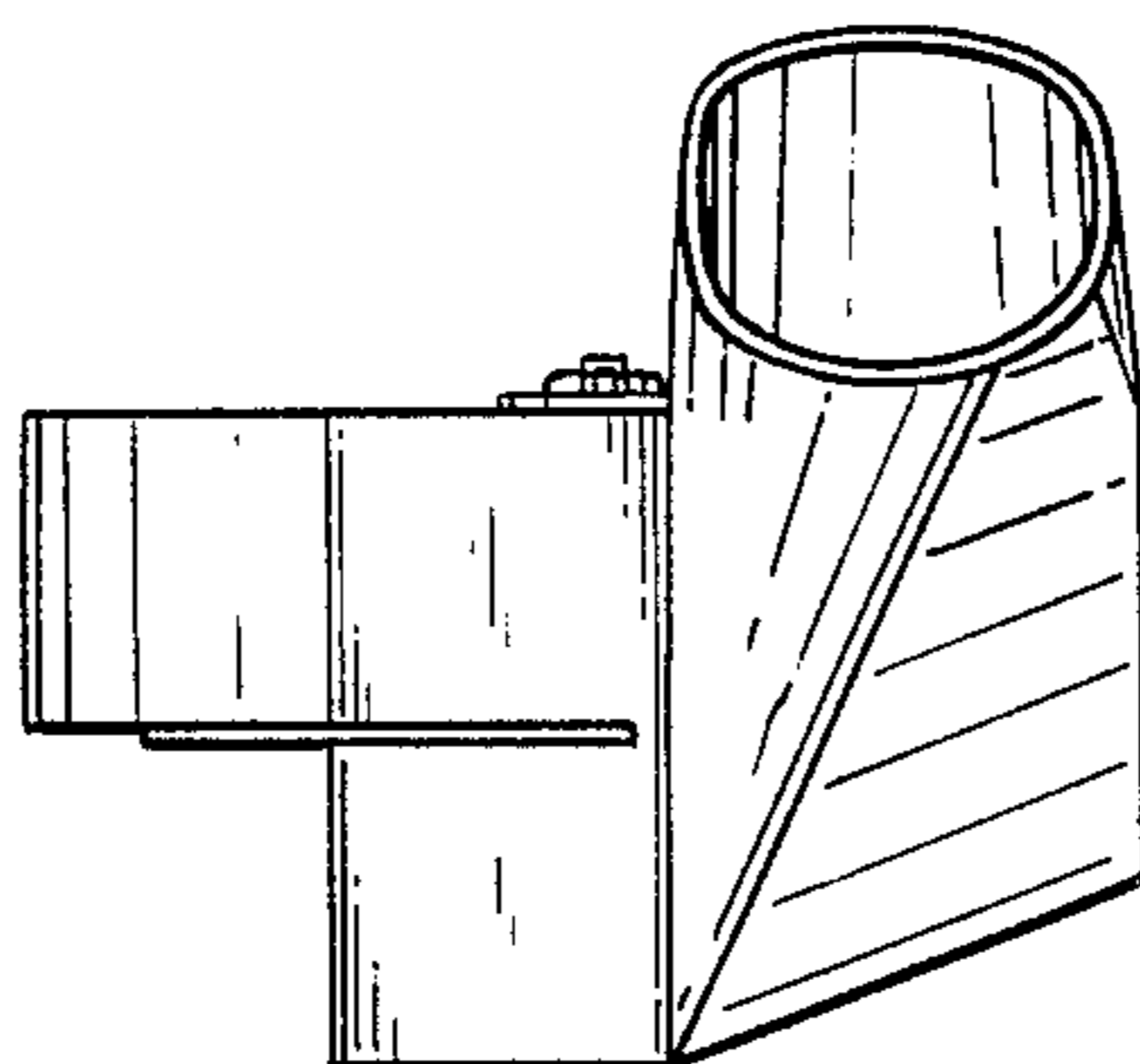


FIG. 7

FIG. 8

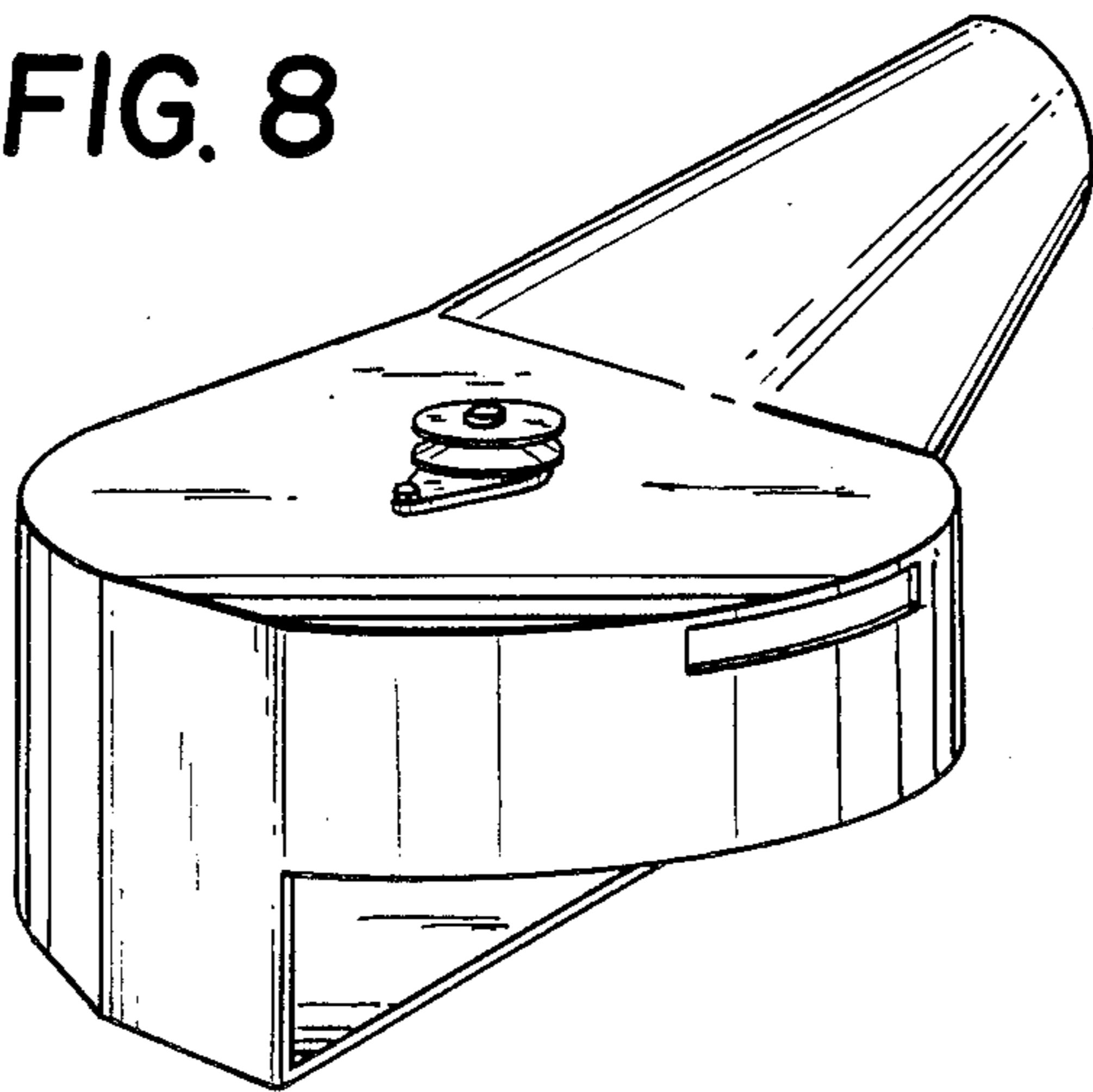


FIG. 9

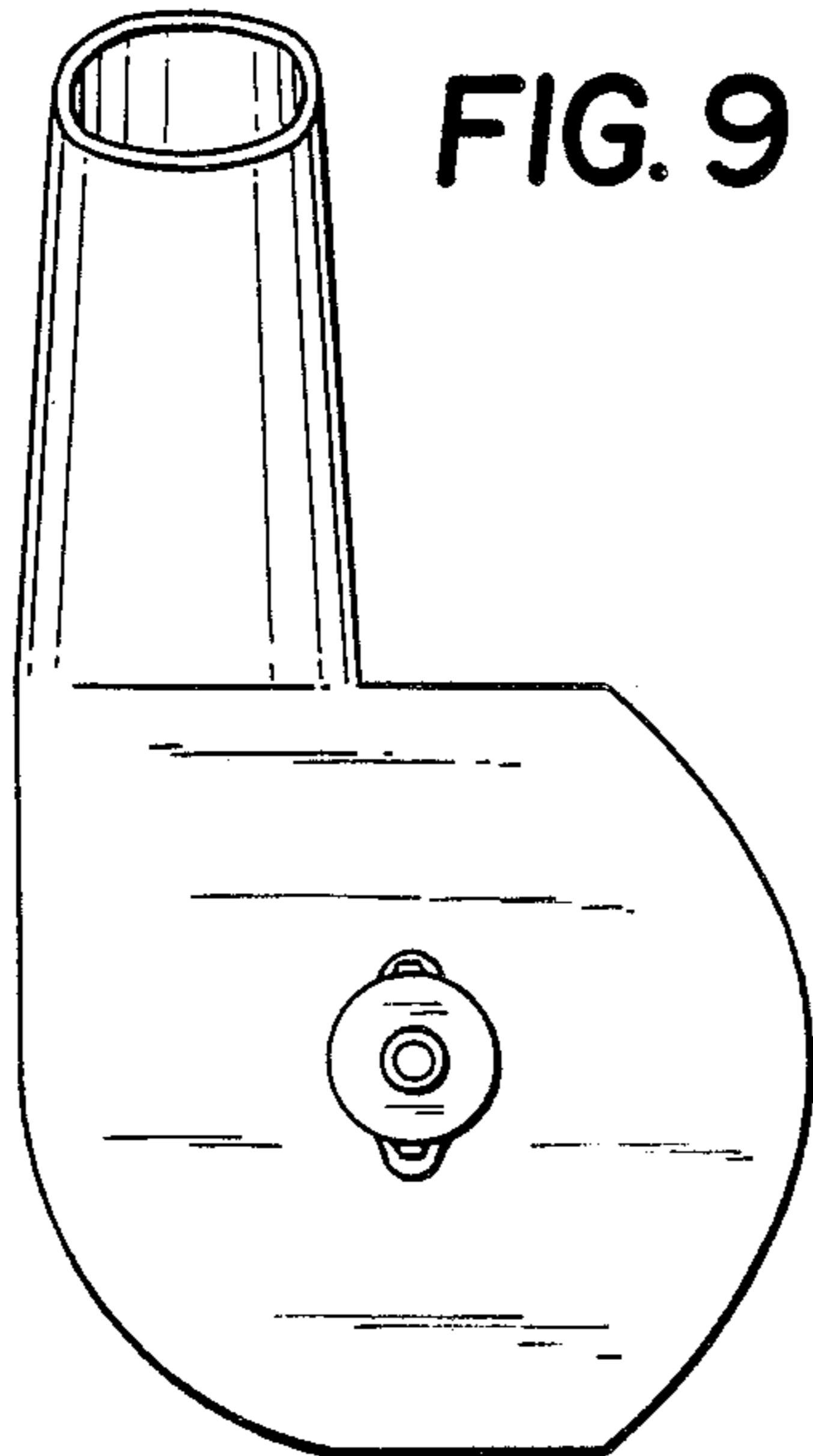


FIG. 10

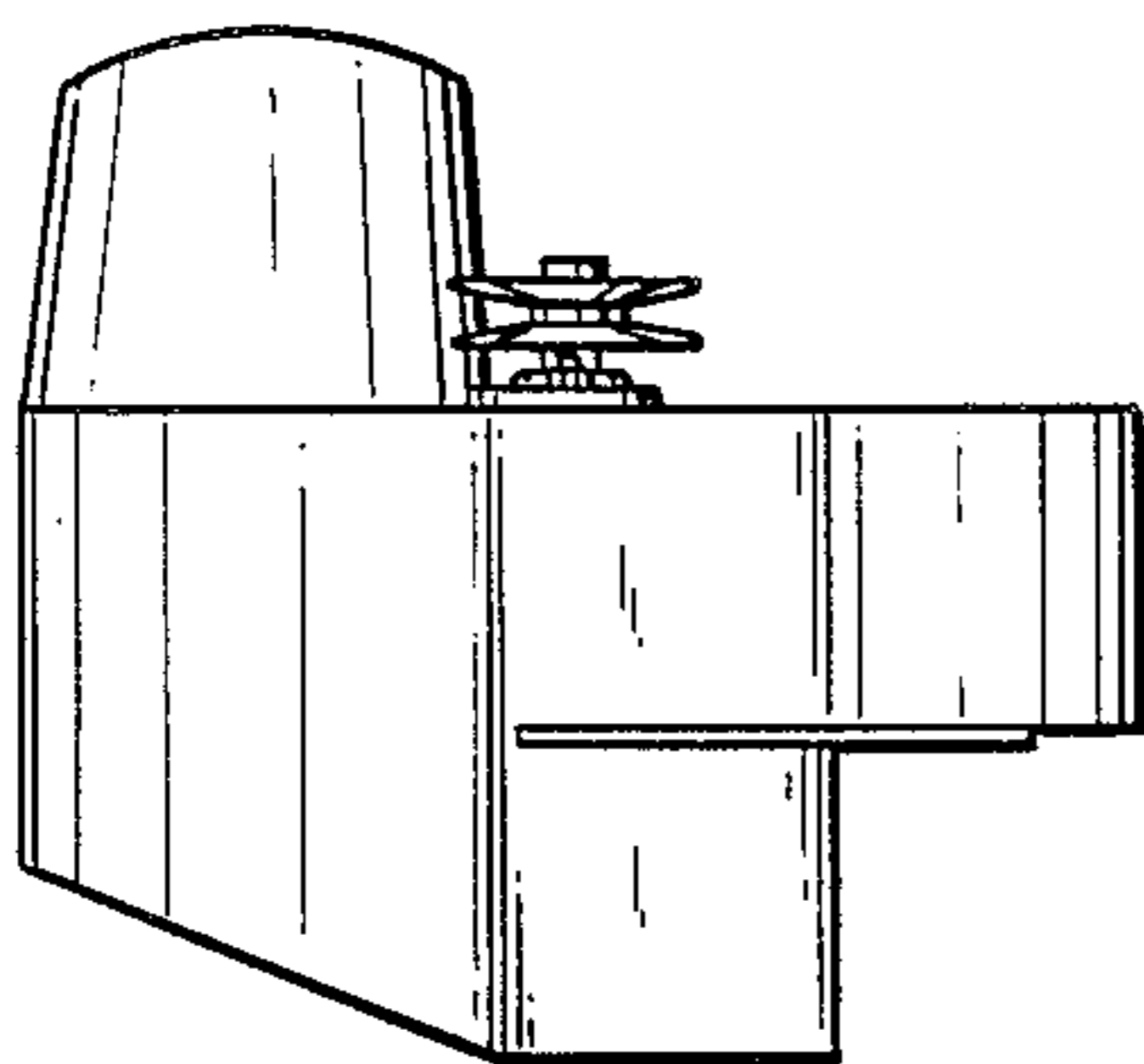
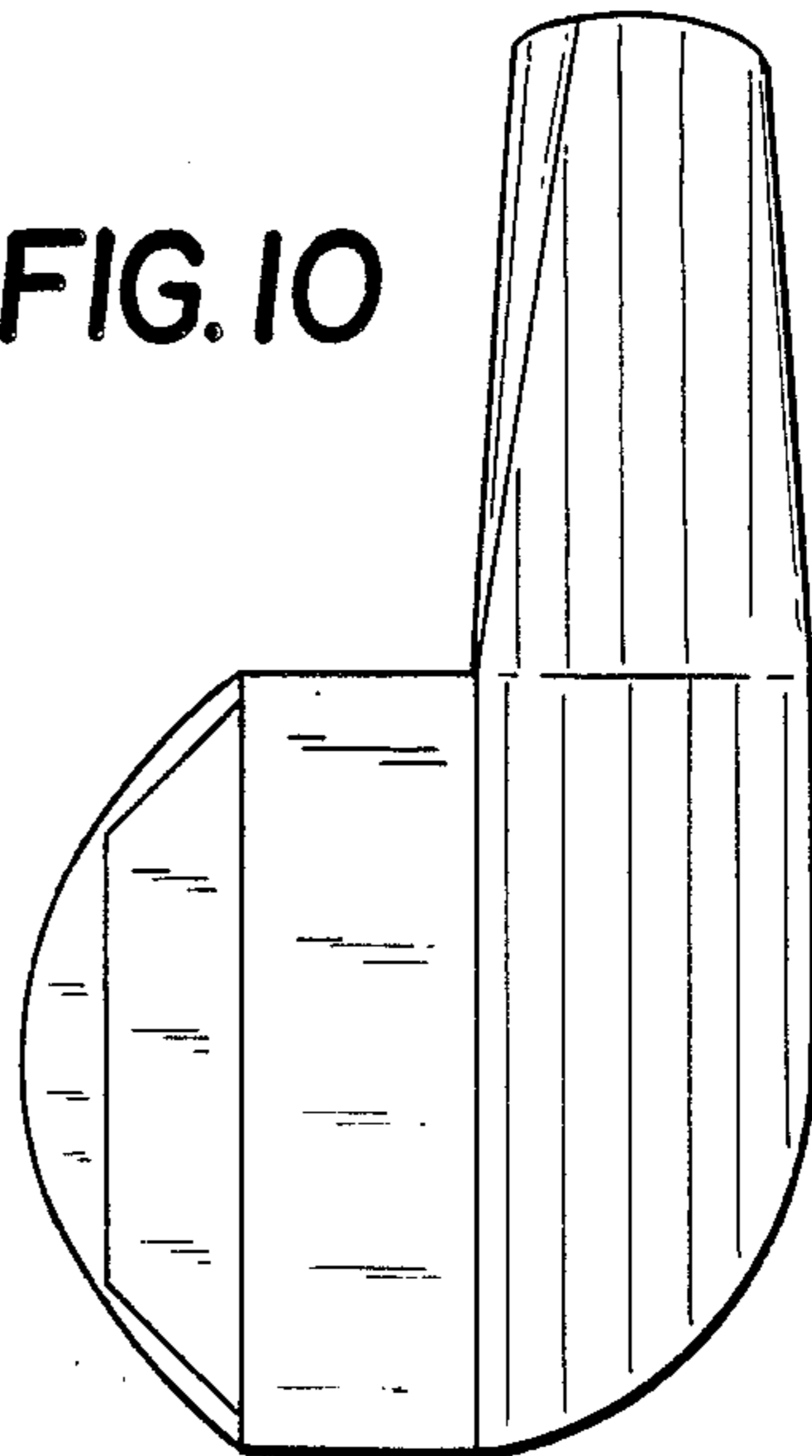


FIG. 11

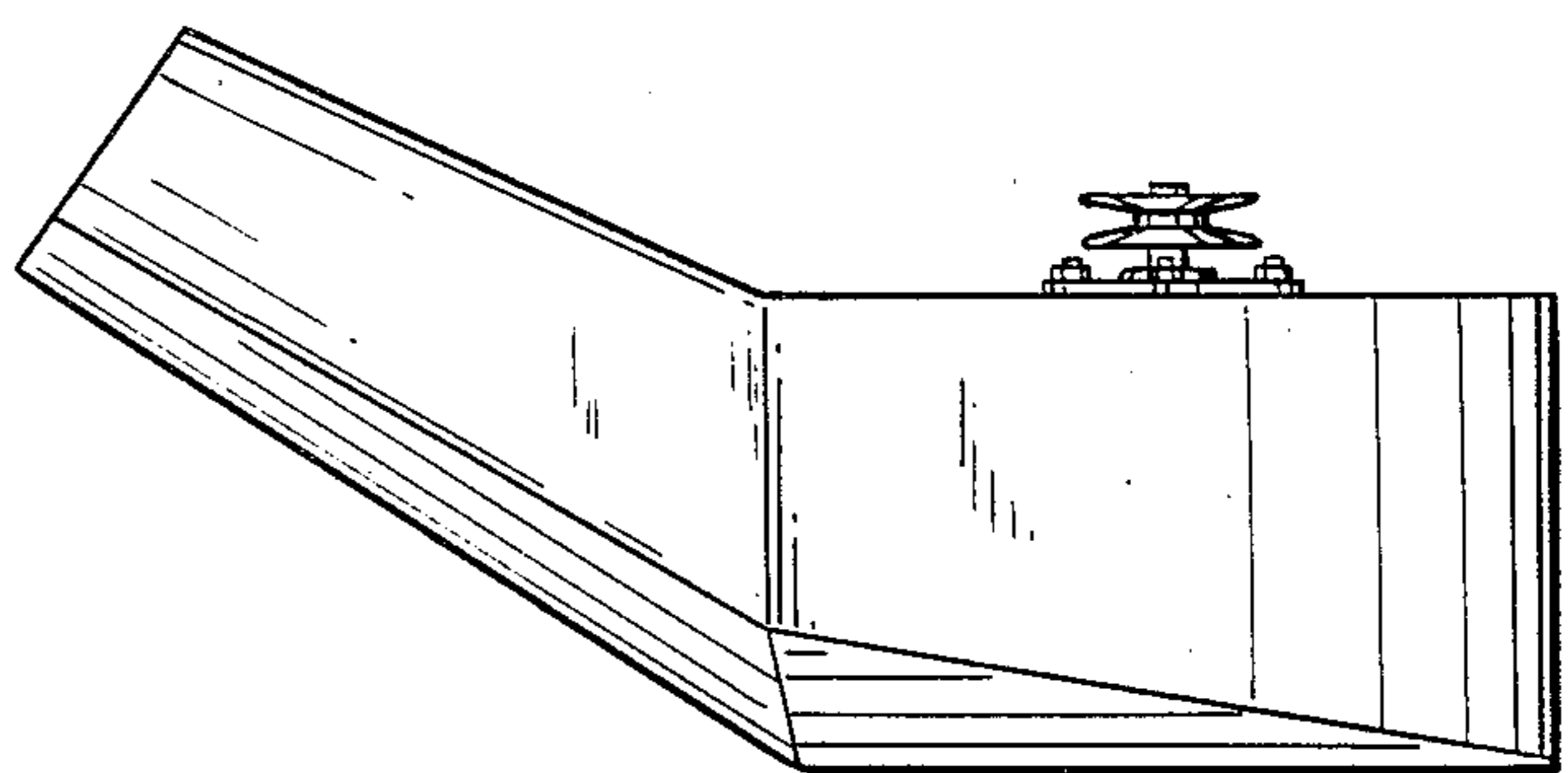


FIG. 12

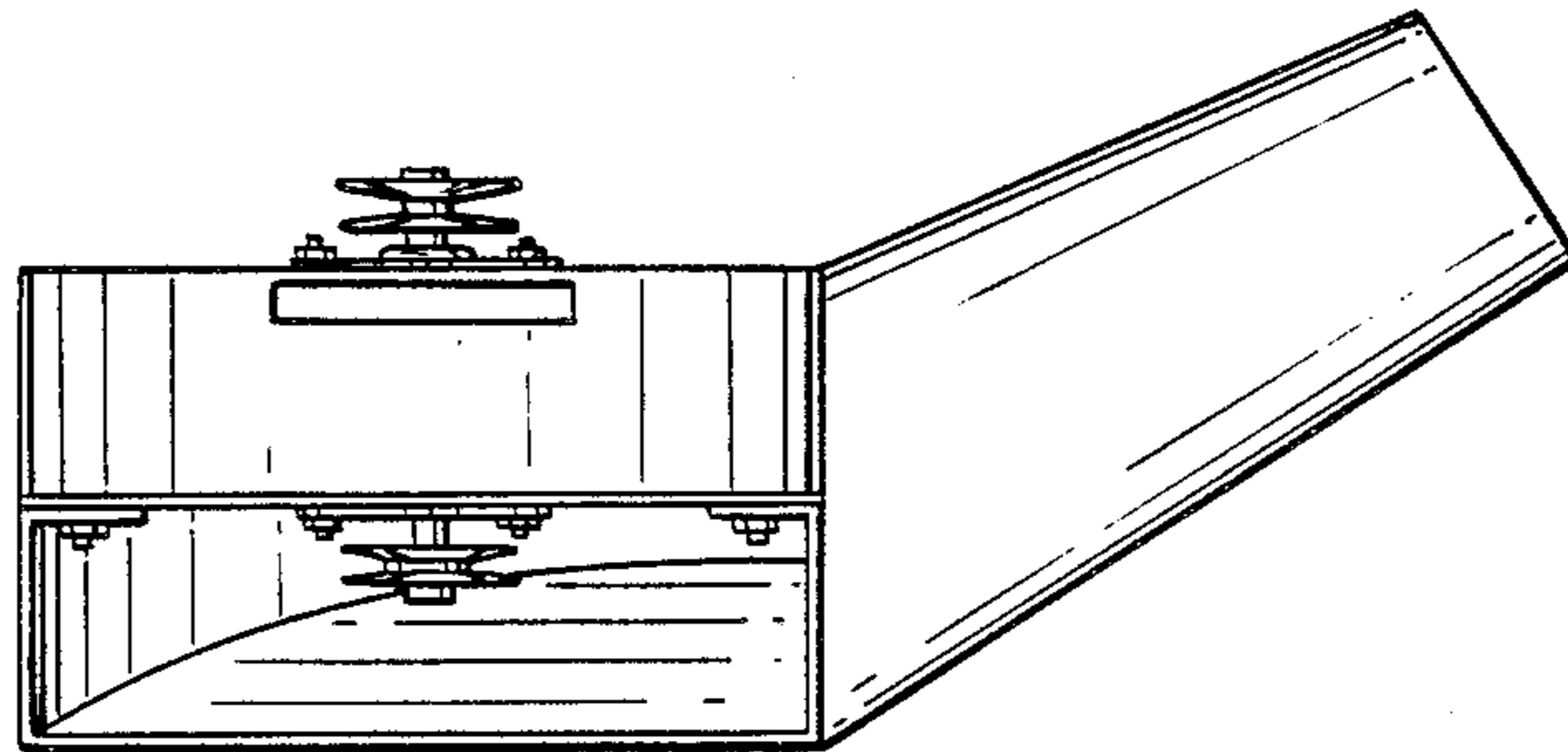


FIG. 13

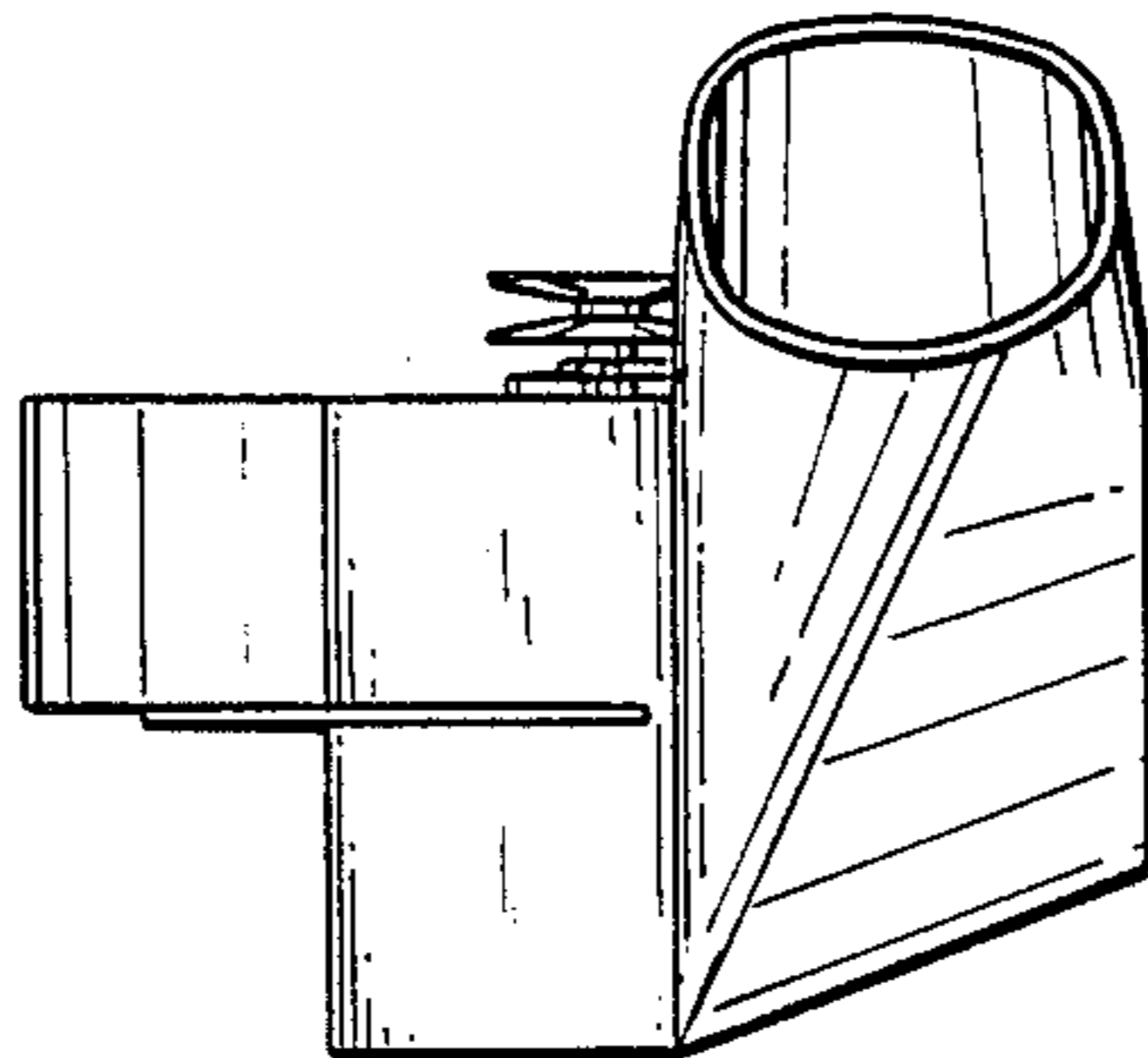


FIG. 14