

[54] FRONT PANEL FOR A COMPACT DISC PLAYER

[75] Inventor: Carol M. Repasky, Ypsilanti, Mich.

[73] Assignee: Ford Motor Company, Dearborn, Mich.

[\*\*] Term: 14 Years

[21] Appl. No.: 359,057

[22] Filed: May 30, 1989

[52] U.S. Cl. .... D14/258; D14/156; D14/257

[58] Field of Search ..... D14/135-136, D14/156, 160-162, 164-165, 168-169, 173, 257-258; 369/75.1, 77.1, 77.2

[56] References Cited

U.S. PATENT DOCUMENTS

- D. 256,117 7/1980 Polhemus et al. .
- D. 263,138 2/1982 Uchiyama .
- D. 294,488 3/1988 Rogers ..... D14/156
- 4,592,039 5/1986 Toyoguchi et al. .
- 4,653,039 3/1987 Ueno et al. .
- 4,773,056 9/1988 Ito ..... 369/77.1 X
- 4,797,865 1/1989 Imai et al. .
- 4,811,314 3/1989 Alves .

OTHER PUBLICATIONS

- "Car Stereo Review", Mar. 1989, p. 79.
- "Car Audio and Electronics", Mar. 1989, p. 35.
- "Car Audio and Electronics", Mar. 1989, p. 40.

"Car Stereo Review", Mar. 1989, p. 64.

"Car Stereo Review", Jan. 1989, p. 88.

"CDX-5 Sony Car Compact Disc Player", Product Brochure C-4393-A, Sony Consumer Products Company, 1984.

1989 Ford Sound Systems Brochure, FAS-89F-01, 1988, p. 4.

High Fidelity; May 1987; p. 32; Mitsubishi compact disc player.

Stereo Review; May 1987; p. 61; Right center—Ten model SD-1110 CD player.

Stereo Review; Aug. 1986; p. 35; Ford JBL Audio System.

Video Review; Mar. 1988; p. 68; Left center—Ford DAT player.

Primary Examiner—Theodore M. Shooman  
Attorney, Agent, or Firm—Mark Mollon; Paul K. Godwin

[57] CLAIM

The ornamental design for a front panel for a compact disc player, as shown and described.

DESCRIPTION

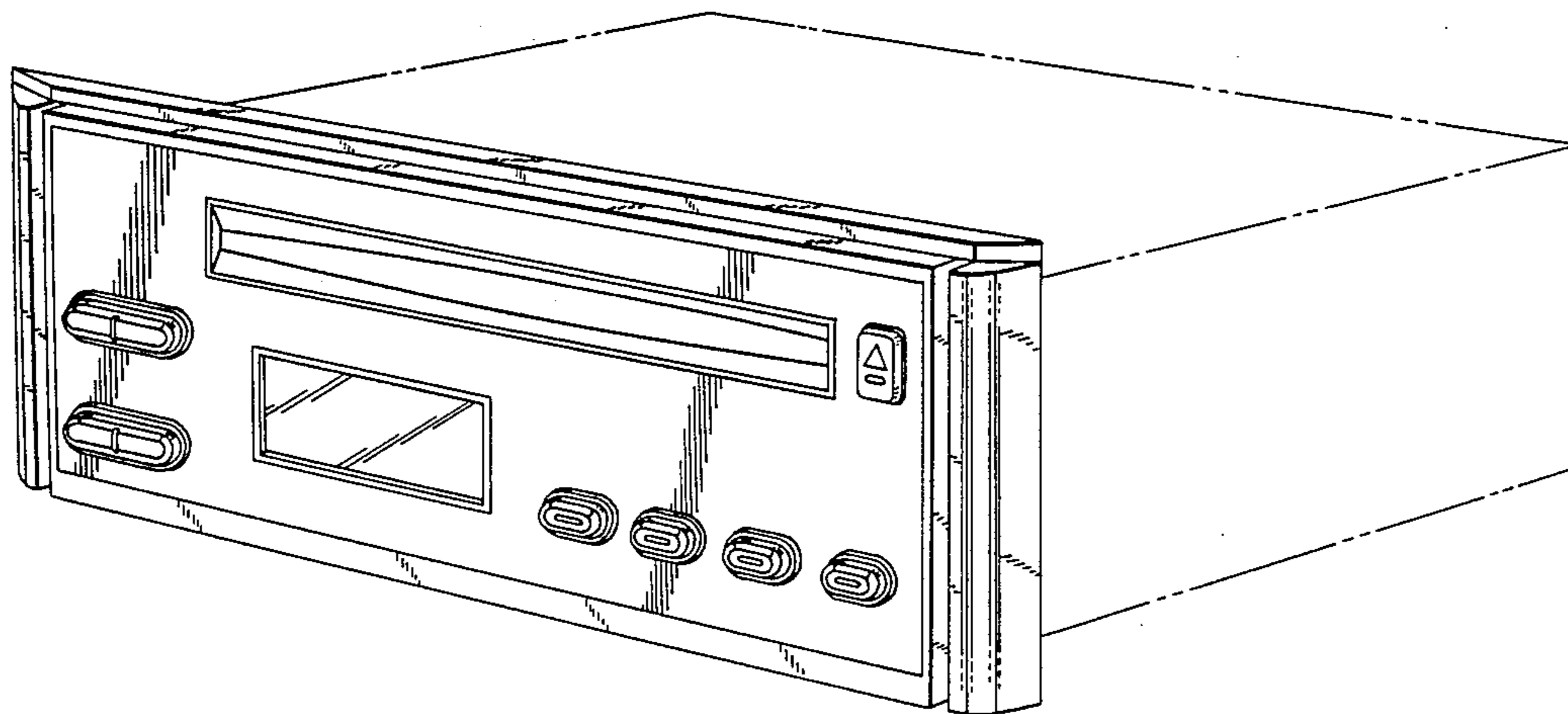
FIG. 1 is a front, top, and right side perspective view of a front panel for a compact disc player showing our new design;

FIG. 2 is a front elevational view thereof;

FIG. 3 is a left side elevational view thereof;

FIG. 4 is a right side elevational view thereof.

The broken line showing is for illustrative purposes only and forms no part of the claimed design.



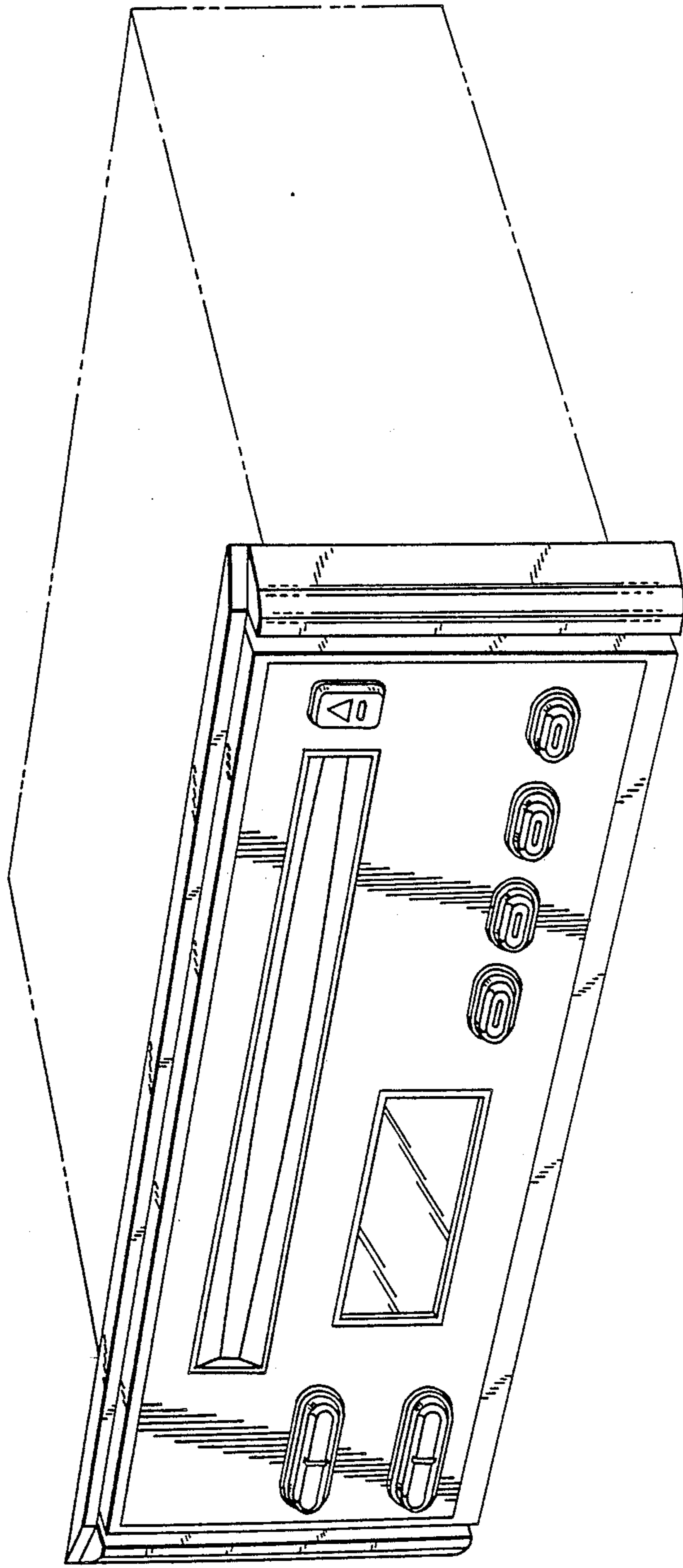


FIG. 1

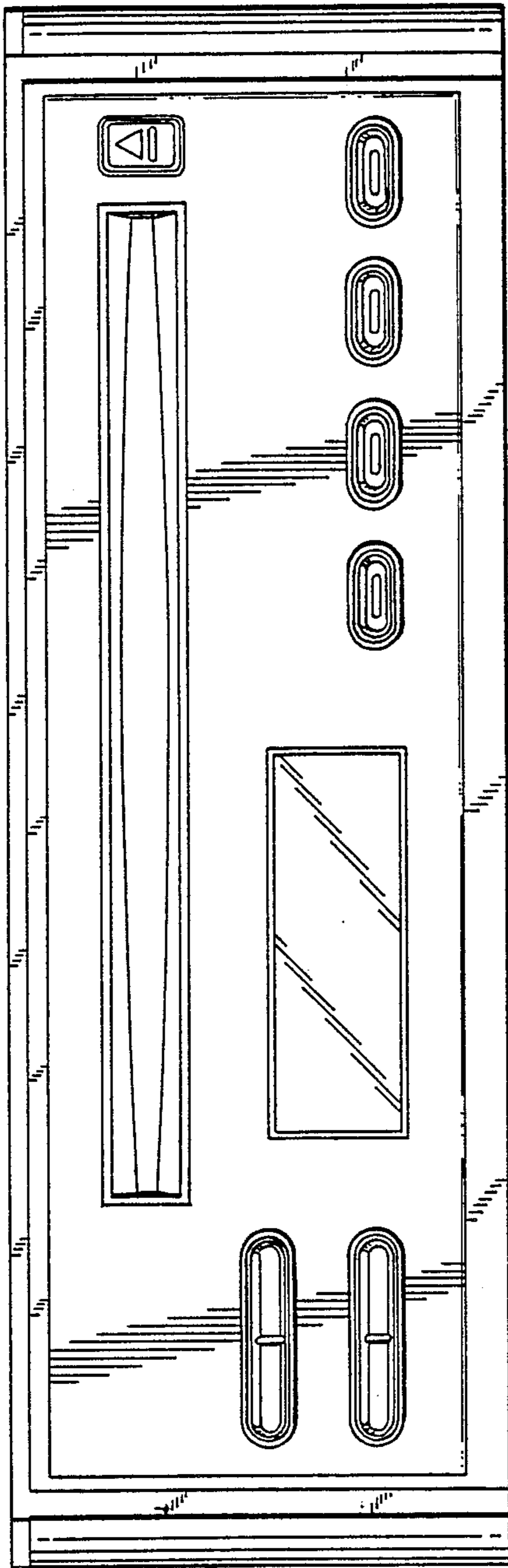


FIG. 2

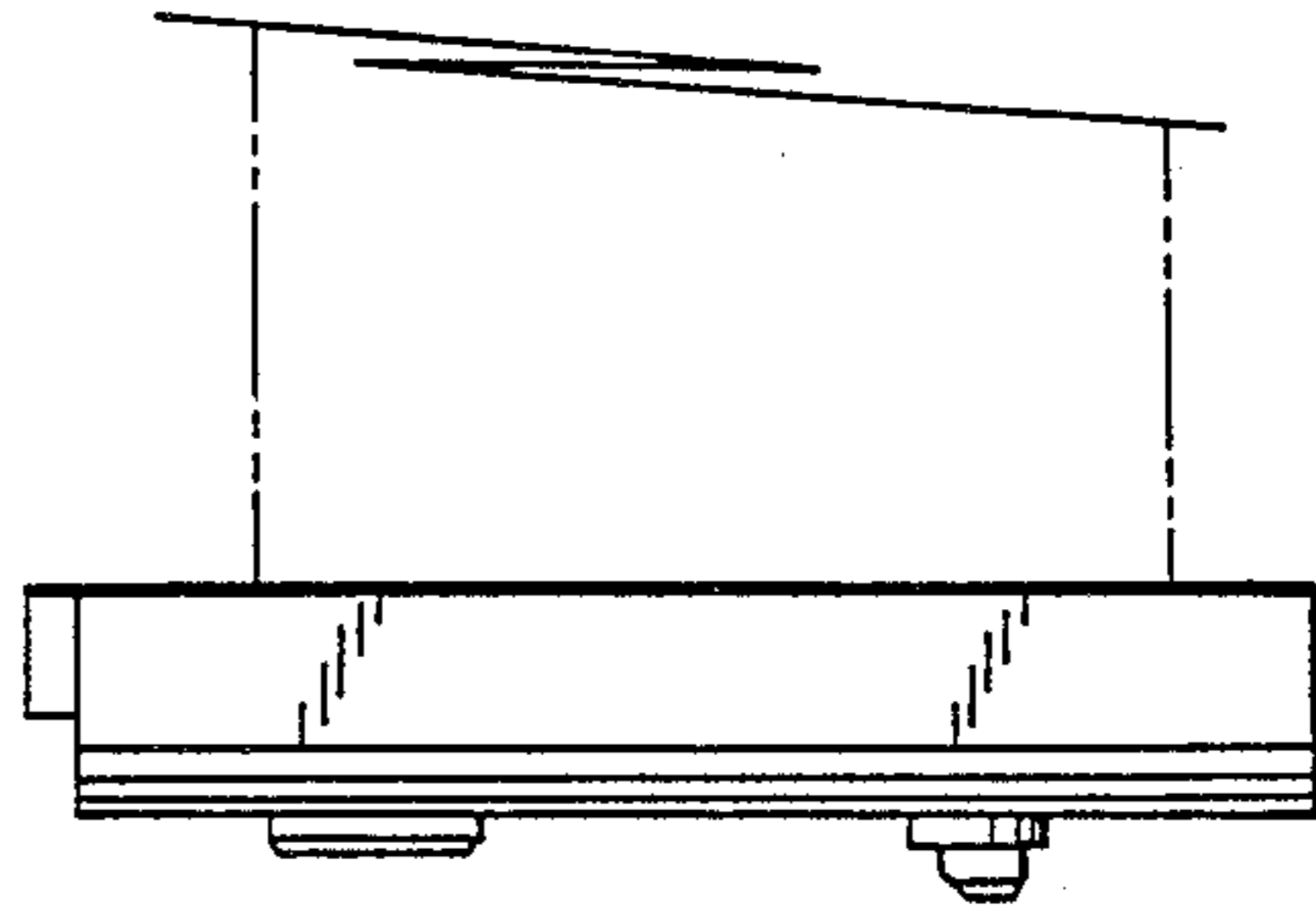


FIG. 4

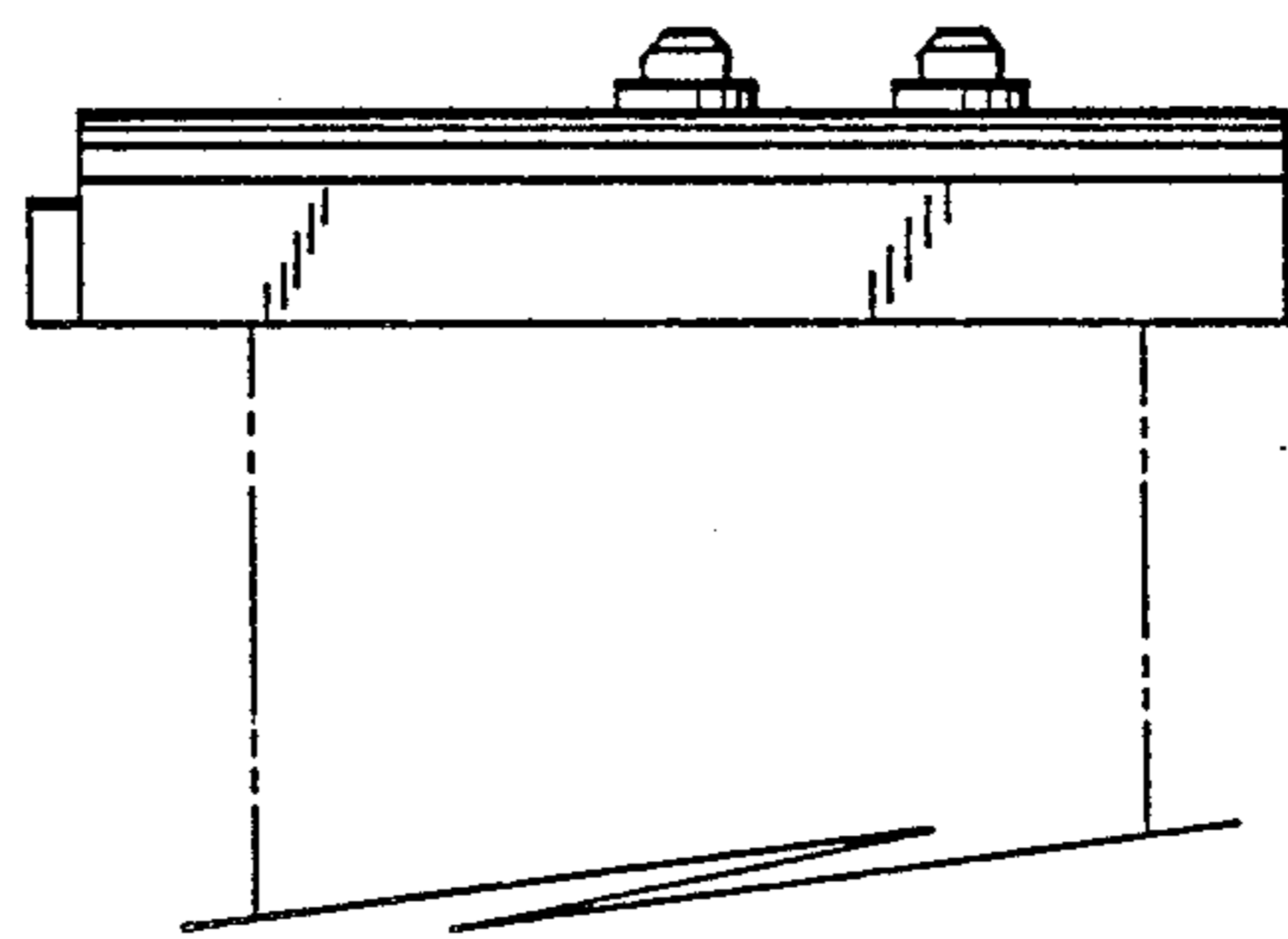


FIG. 3