

[54] FRONT PANEL FOR A TWO-WAY MOBILE RADIO

[75] Inventor: Richard Culbertson, Lynchburg, Va.

[73] Assignee: General Electric Company, Lynchburg, Va.

[**] Term: 14 Years

[21] Appl. No.: 348,651

[22] Filed: May 8, 1989

Related U.S. Application Data

[62] Division of Ser. No. 922,990, Oct. 20, 1986, Pat. No. 303,802.

[52] U.S. Cl. D14/258; D14/137

[58] Field of Search D14/5, 6, 7, 68-76, D14/95, 96, 99, 137, 157, 188, 217, 257, 258, 265; 455/344, 347, 350, 351, 89, 90

[56] References Cited

U.S. PATENT DOCUMENTS

- D. 229,834 1/1974 Taylor .
- D. 232,561 8/1974 Stessel .
- D. 249,687 9/1978 Imazeki .
- D. 253,889 1/1980 Taguchi et al. .
- D. 254,437 3/1980 Ohta et al. .
- D. 255,901 7/1980 Tokiyama .
- D. 275,854 10/1984 Nagele .
- D. 279,290 6/1985 Nagele .
- D. 279,899 7/1985 Nagele .
- D. 281,601 12/1985 Liautaud et al. .
- D. 281,974 12/1985 Suzuki et al. .
- D. 288,199 2/1987 Stoddard et al. .
- D. 292,586 11/1987 George et al. .
- D. 298,133 10/1988 Tokiyama et al. .

OTHER PUBLICATIONS

Specifications; MASTR Mobile Radios, DELTA-S

and DELTA-SX; General Electric Company; 5/84, (ECR-3089B).

Specifications; PHOENIX-SX Mobile Radios; General Electric Company; 10/84 (ECR-2981E).

Specifications; MASTR EXECUTIVE II Duplex Mobile Radios; General Electric Company; 9/83, (ECR-2854A).

Specifications; GE-STAR Mobile & Control Unit; General Electric Company; 10/84, (ECR-2975E).

Specifications; GE-MACR V Trunked Radios; CENTURA; General Electric Company; 3/84, (ECR-2783D).

Specifications; GE-MACR V Trunked Radios; CORONA; General Electric Company; 3/84, (ECR-2784D).

Specifications; GE-MARC V Trunked Radios; CLASSIC Front Mount; General Electric Company; 3/84, (ECR-2785D).

Specifications; GE-MARC V Trunked Radios; CLASSIC Remote Mount; General Electric Company; 3/83, (ECR-2972).

Primary Examiner—Theodore M. Shooman

Attorney, Agent, or Firm—Nixon & Vanderhye

[57] CLAIM

The ornamental design for the front panel for a two-way mobile radio, as shown and described.

DESCRIPTION

FIG. 1 is a top, front and left side perspective view of a front panel for a two-way mobile radio showing my new design;

FIG. 2 is a front elevational view thereof;

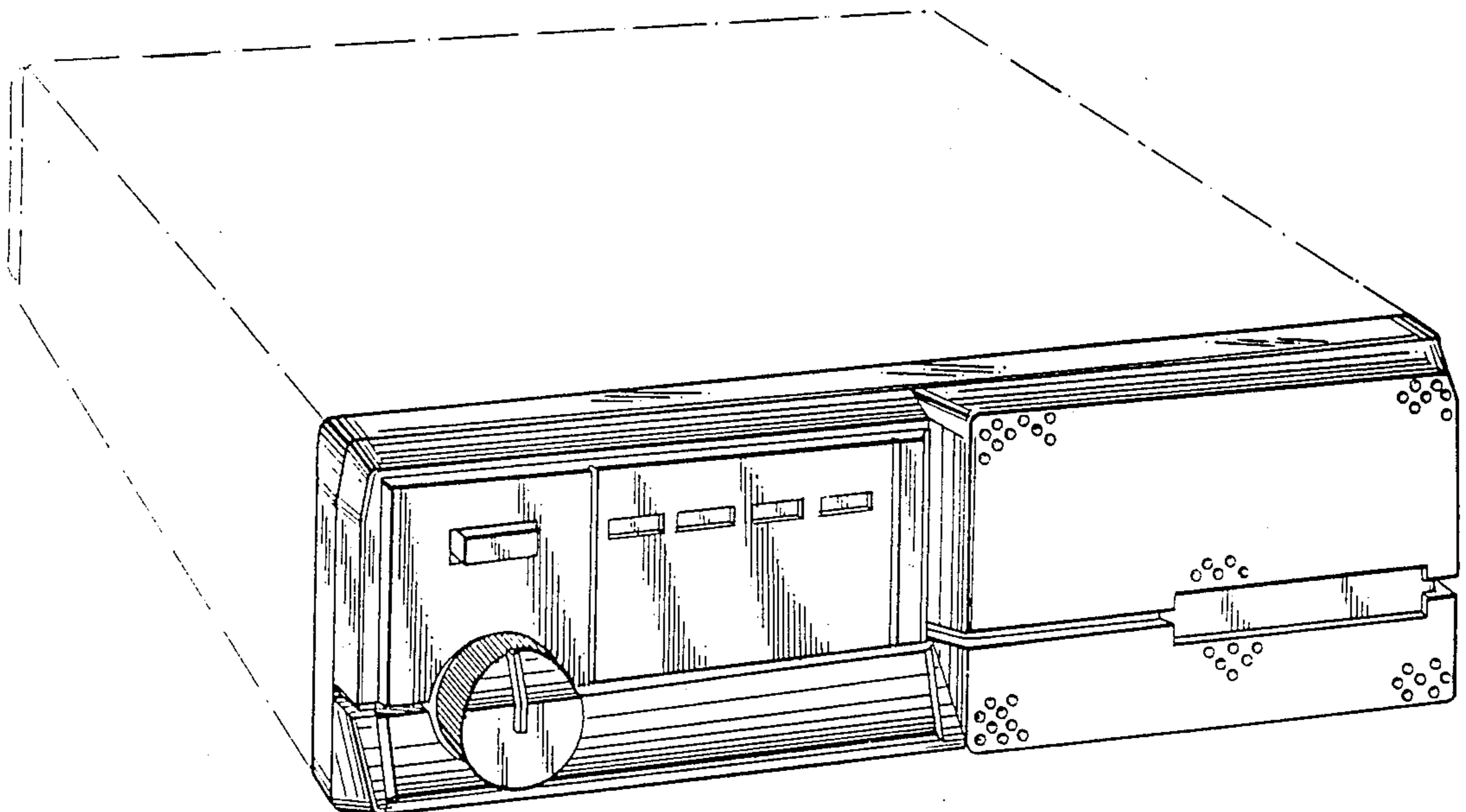
FIG. 3 is a top plan view thereof;

FIG. 4 is a right side elevational view thereof;

FIG. 5 is a bottom plan view thereof; and

FIG. 6 is a left side elevational view thereof.

The broken-line showing of the two-way mobile radio is for illustrative purposes only and forms no part of the claimed design.



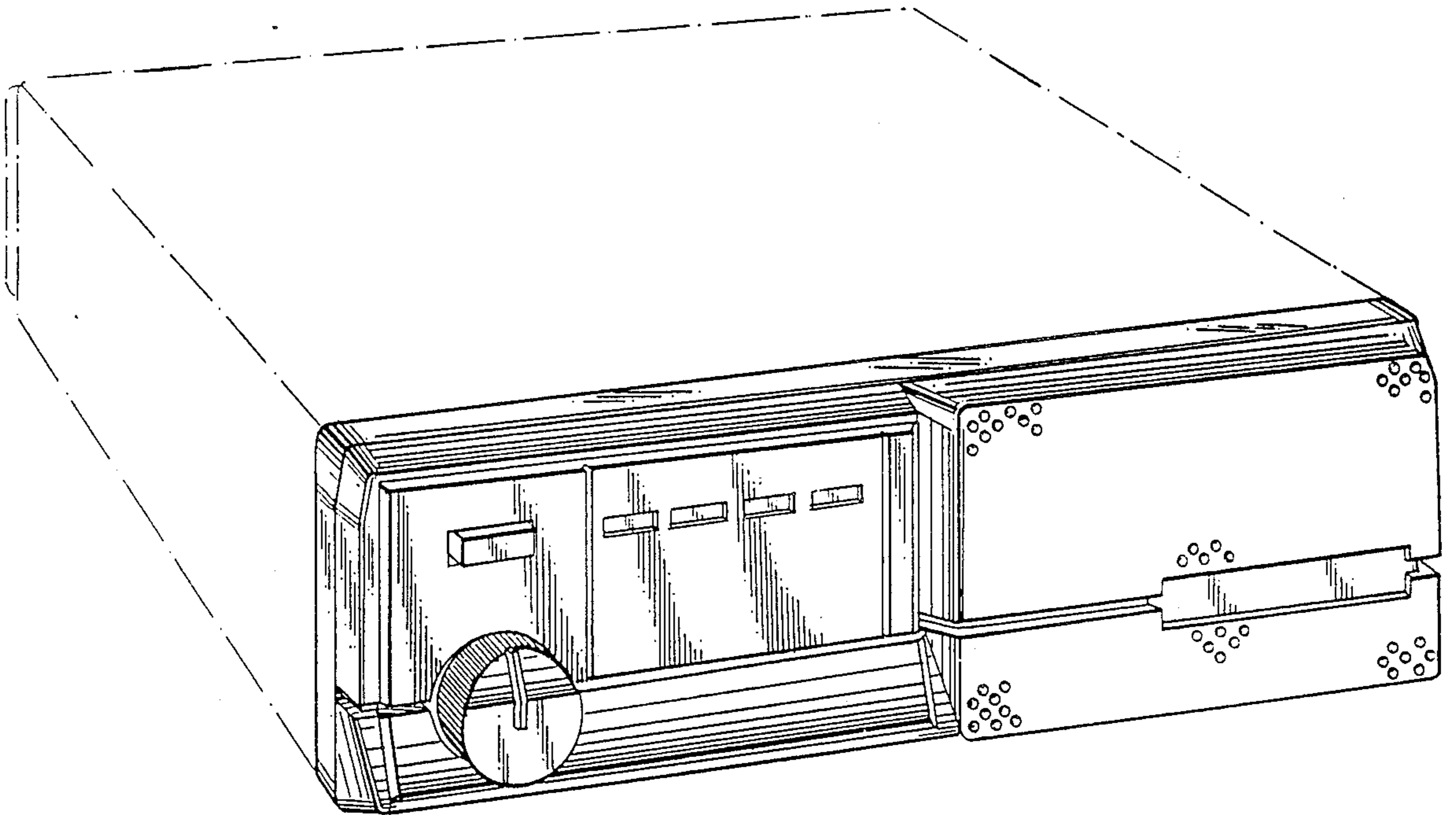


FIG. 1

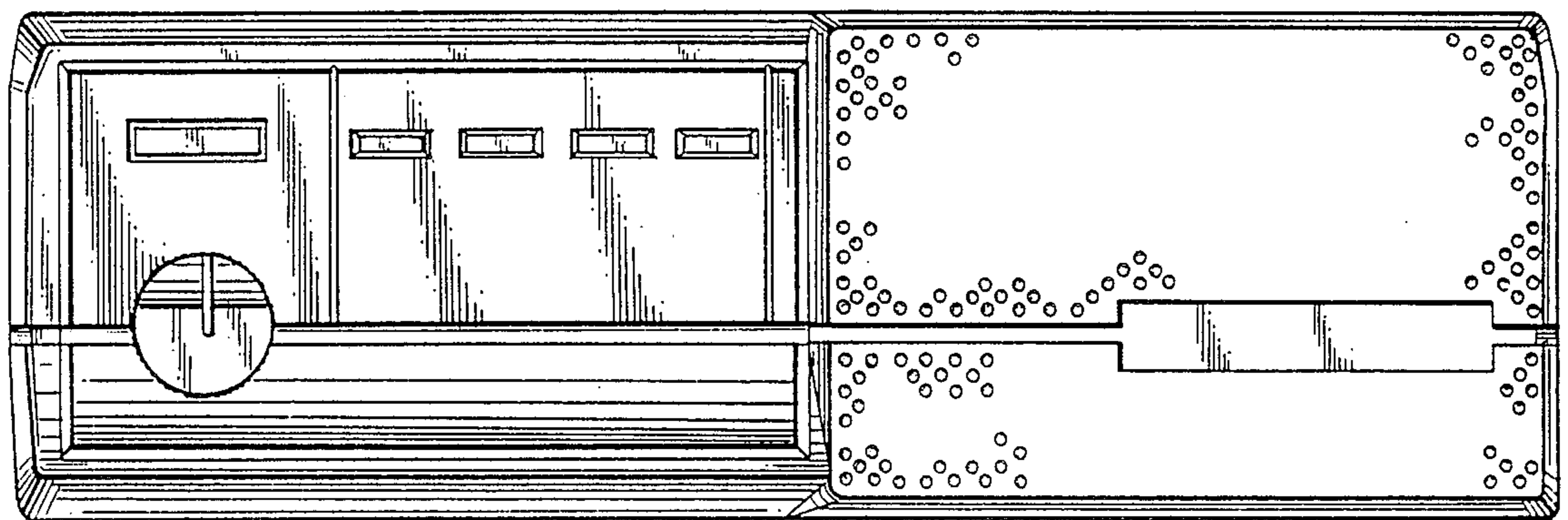


FIG. 2

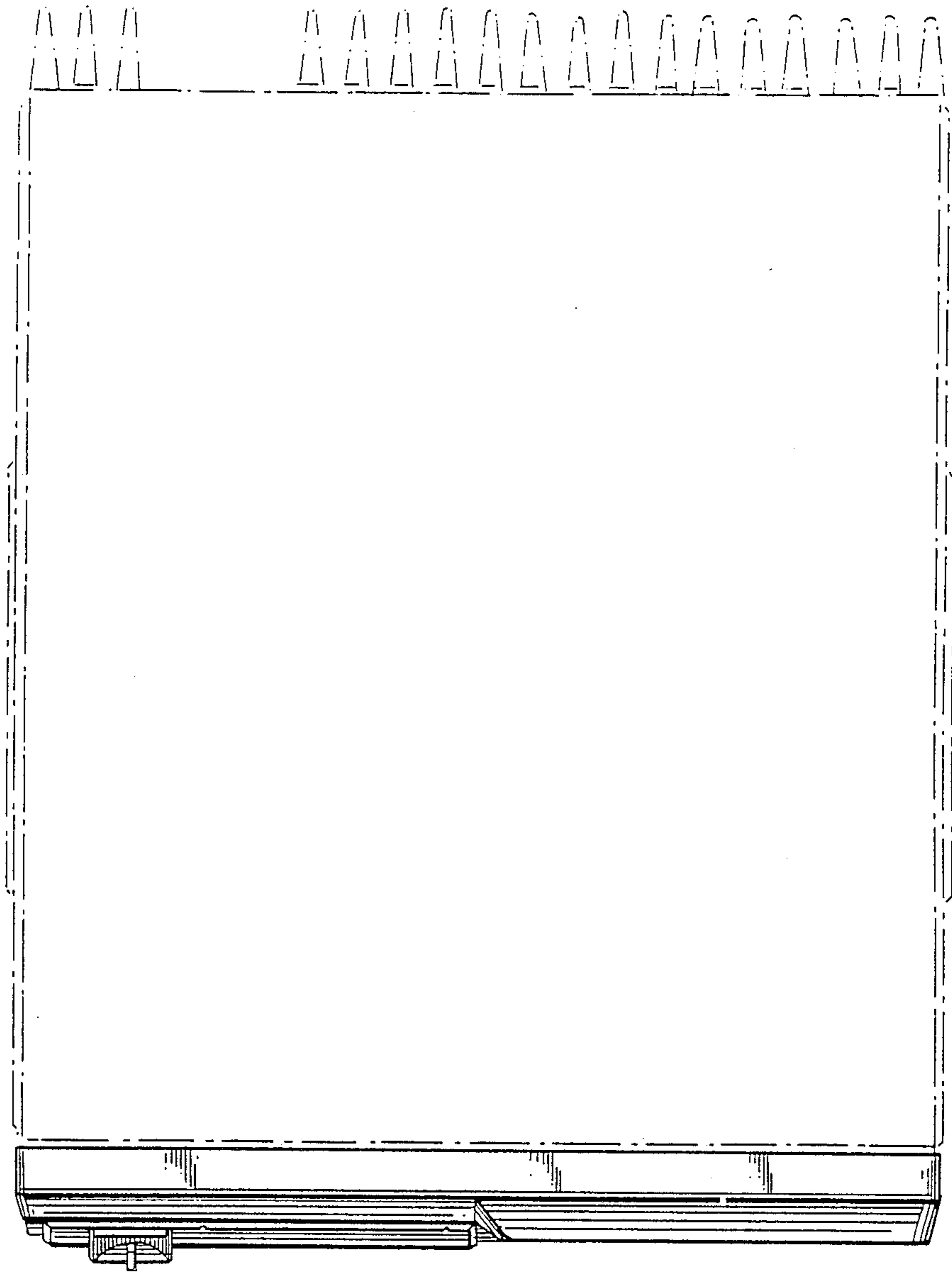


FIG. 3

FIG. 4

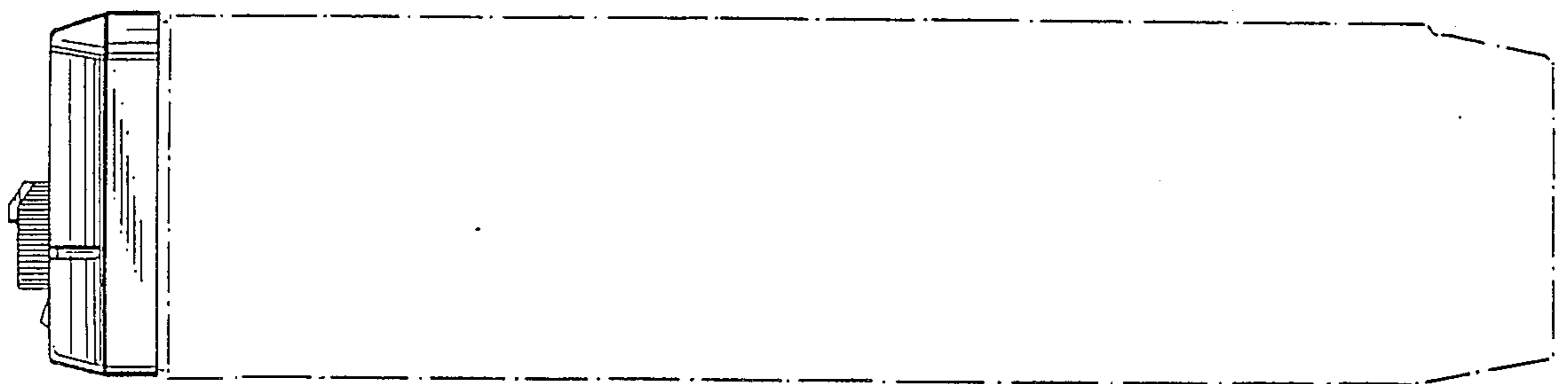


FIG. 5

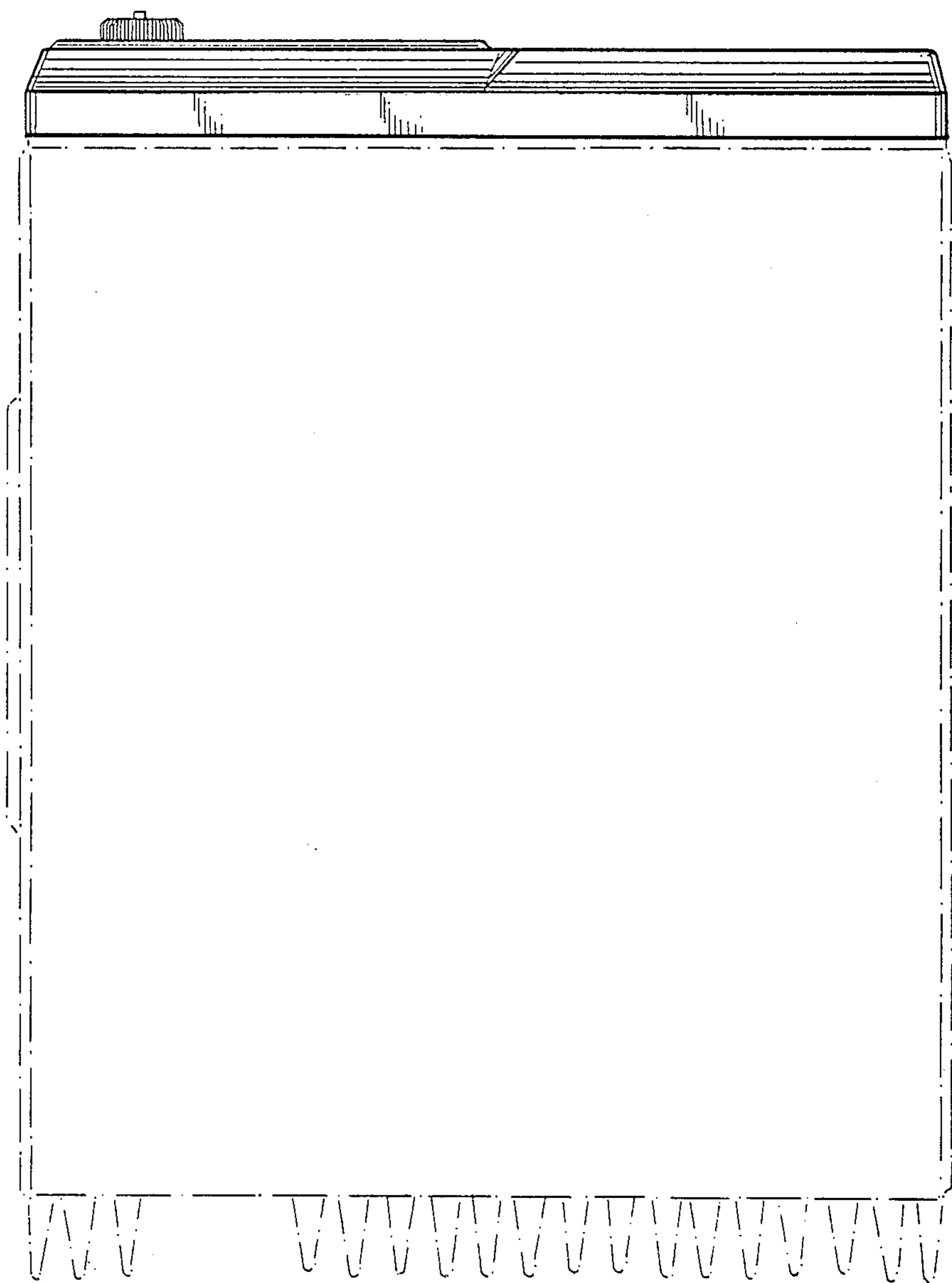


FIG. 6

