

- [54] **ADJUSTABLE SUPPORT FOR A DISPLAY MONITOR**
- [75] Inventors: **Christopher J. Hillary, Eastleigh; Timothy J. Rodd, Lyndhurst, both of England**
- [73] Assignee: **International Business Machines Corporation, Armonk, N.Y.**
- [**] Term: **14 Years**
- [21] Appl. No.: **57,140**
- [22] Filed: **Jun. 3, 1987**
- [30] **Foreign Application Priority Data**
 Dec. 8, 1986 [GB] United Kingdom 1038608
- [52] U.S. Cl. **D14/114**
- [58] Field of Search D14/100, 101, 106, 107, D14/113, 114; D18/1, 7, 12; 340/700, 706, 711, 712; 341/22, 23; 358/249, 254; 248/125, 127, 133, 178, 179, 181, 183, 188.1, 188.2, 346, 349, 371, 395, 917-924; D6/449, 491, 495, 499
- [56] **References Cited**
U.S. PATENT DOCUMENTS
 D. 277,569 2/1985 Georgopoulos D14/106 X
 D. 279,189 6/1985 Tsumura et al. D14/113
 D. 288,876 3/1987 Goetz et al. D6/449
 D. 290,612 6/1987 Choate et al. D14/114
 D. 290,706 7/1987 Peart et al. D14/113
 4,624,433 11/1986 Henneberg 248/346

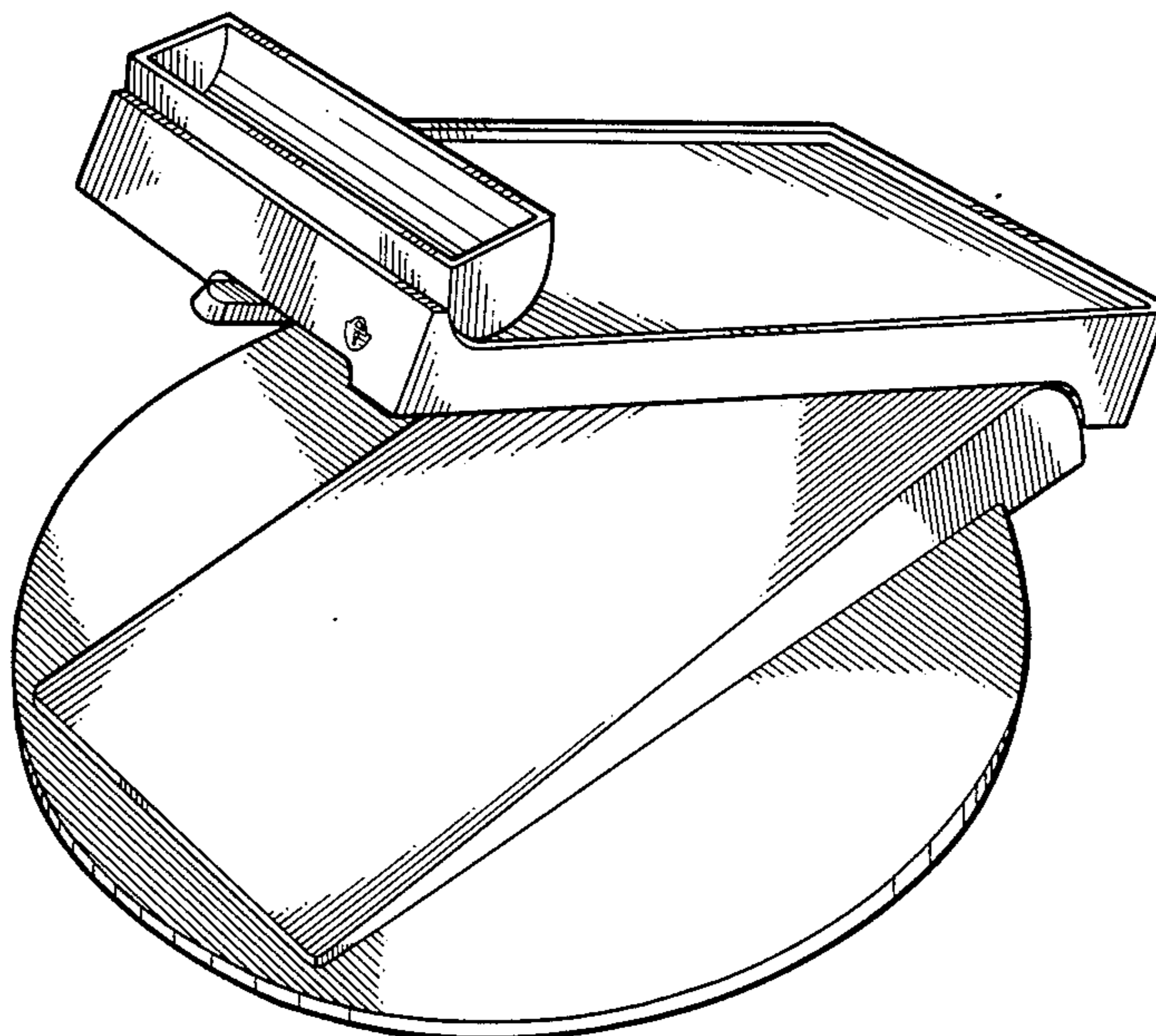
Primary Examiner—Susan J. Lucas
Assistant Examiner—Freda S. Nunn
Attorney, Agent, or Firm—John C. Smith; Harold H. Sweeney, Jr.

[57] **CLAIM**

The ornamental design for an adjustable support for a display monitor, as shown and described.

DESCRIPTION

FIG. 1 is a right, top, front perspective view of the adjustable support for a display monitor showing our new design;
 FIG. 2 is a right, top, rear perspective view thereof showing the support in the lowered position;
 FIG. 3 is a front elevational view thereof;
 FIG. 4 is a rear elevational view thereof;
 FIG. 5 is a right side elevational view thereof on an enlarged scale;
 FIG. 6 is a right side elevational view thereof on an enlarged scale showing the support in the lowered position;
 FIG. 7 is a left side elevational view thereof on an enlarged scale showing the support in the lowered position and tilted forward;
 FIG. 8 is a top plan view thereof on an enlarged scale;
 FIG. 9 is a bottom plan view thereof on an enlarged scale;
 The support is shown in the raised position in FIGS. 1, 3, 4 and 5. A portion of the display monitor is shown in broken lines in FIGS. 3-7 for illustrative purposes only and forms no part of the claimed design.



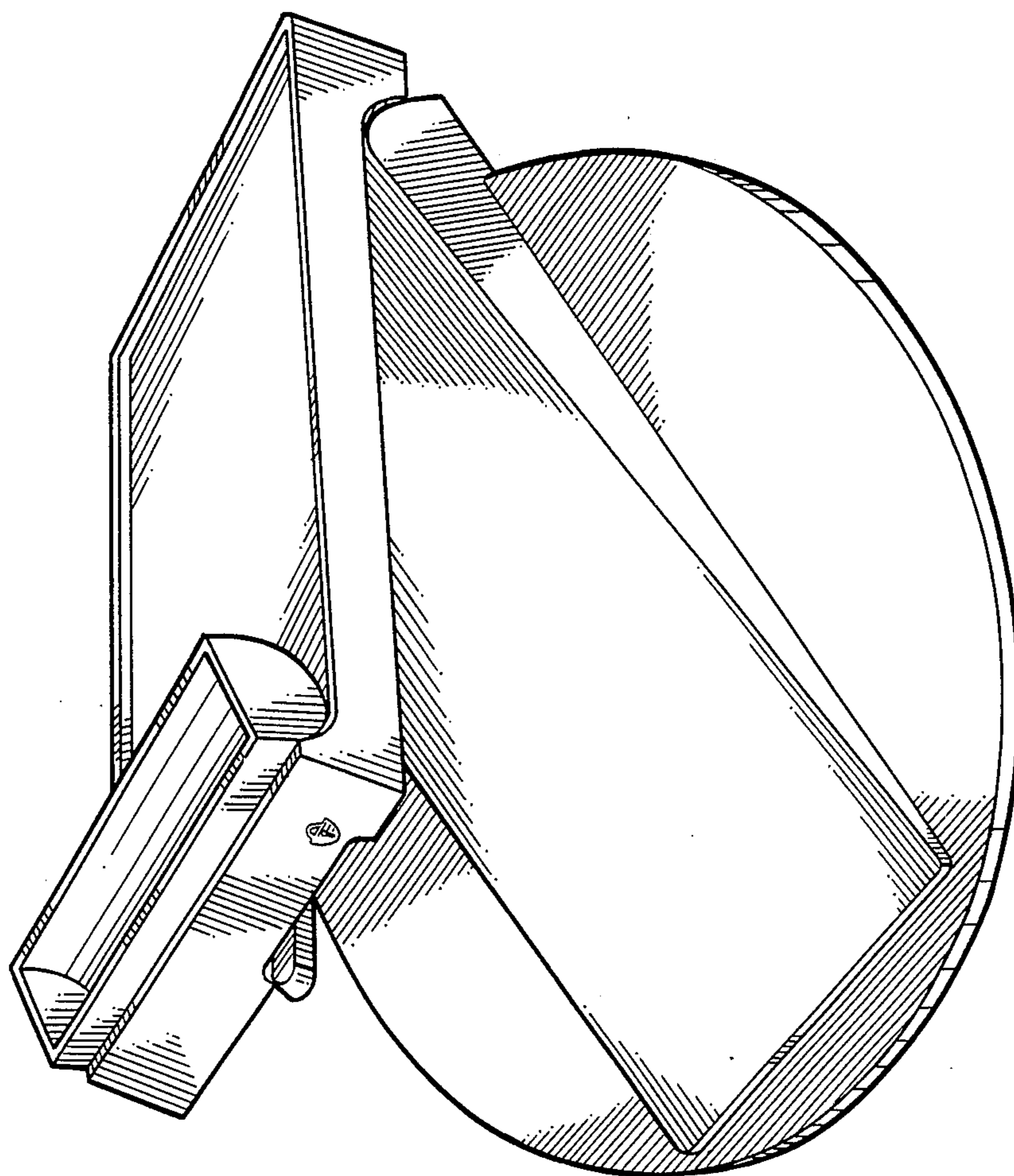


FIG. 1

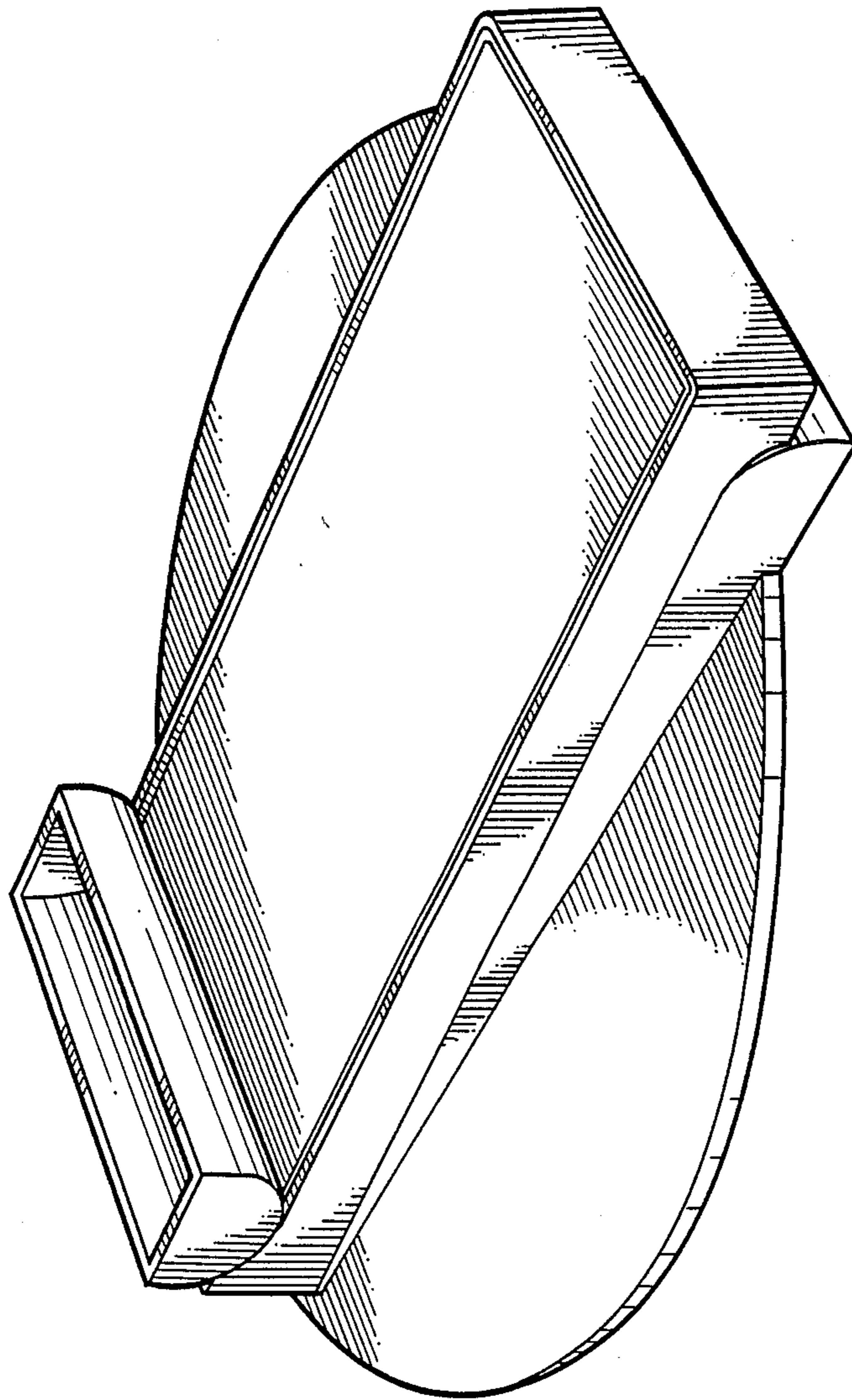


FIG. 2

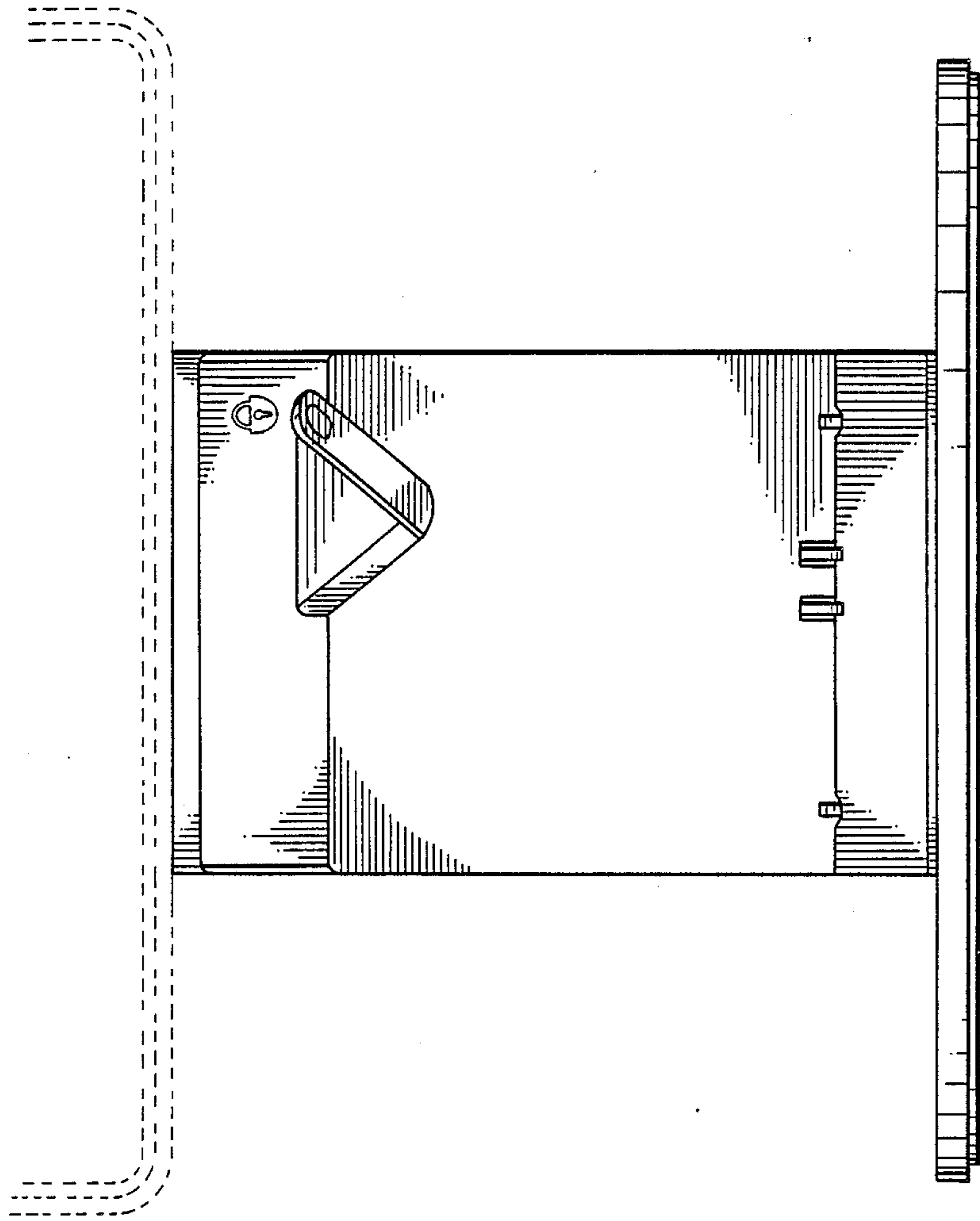


FIG. 3

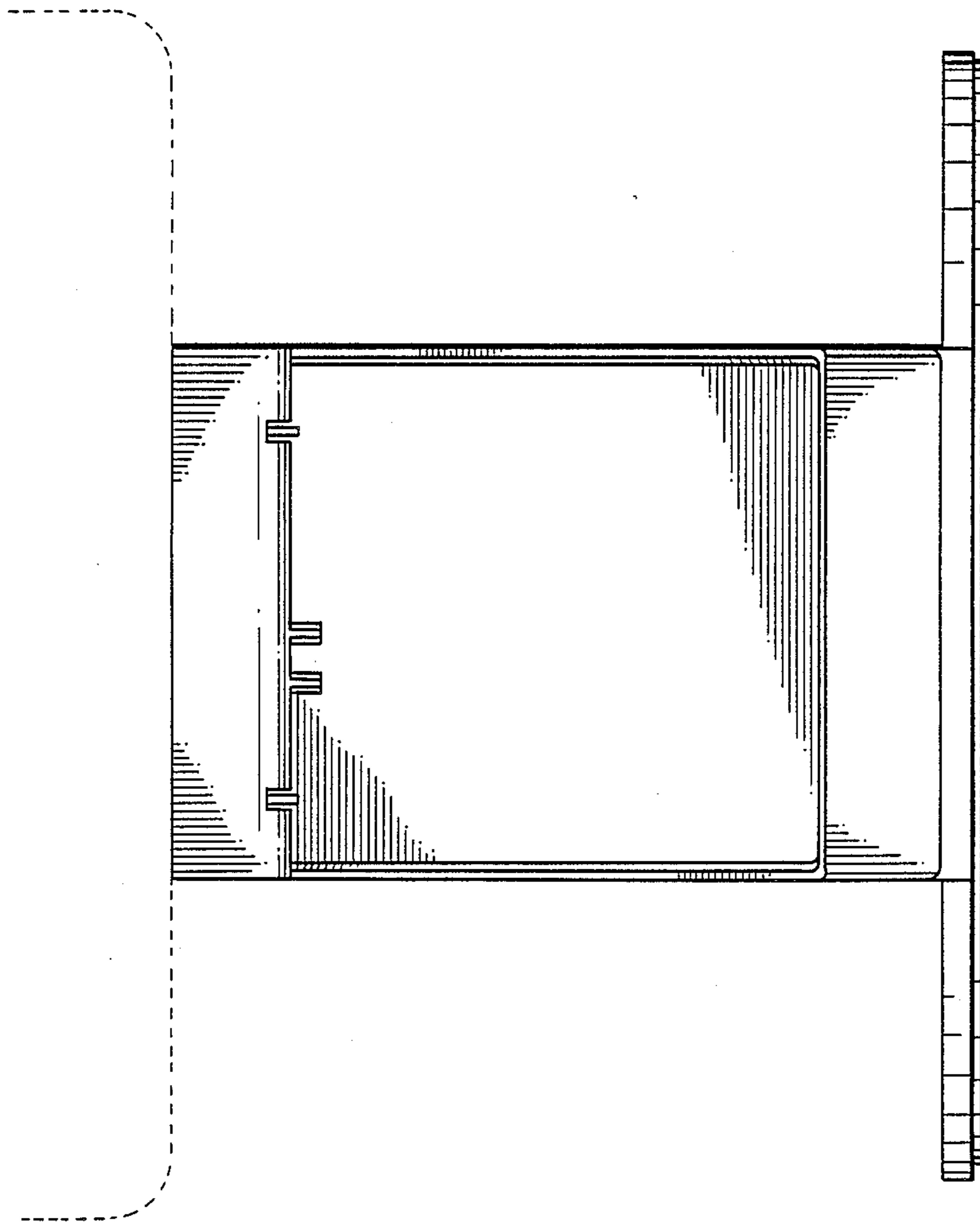


FIG. 4

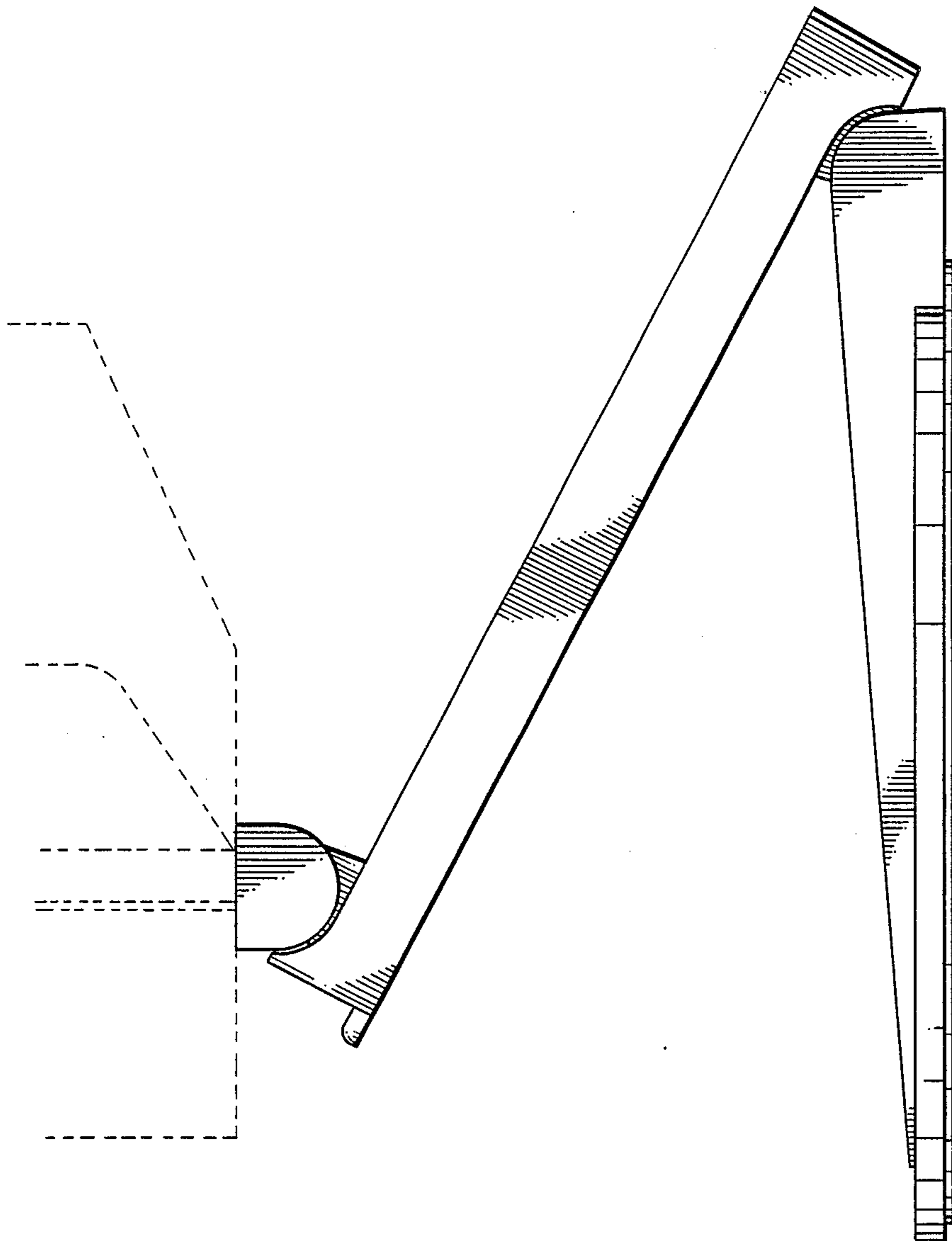


FIG. 5

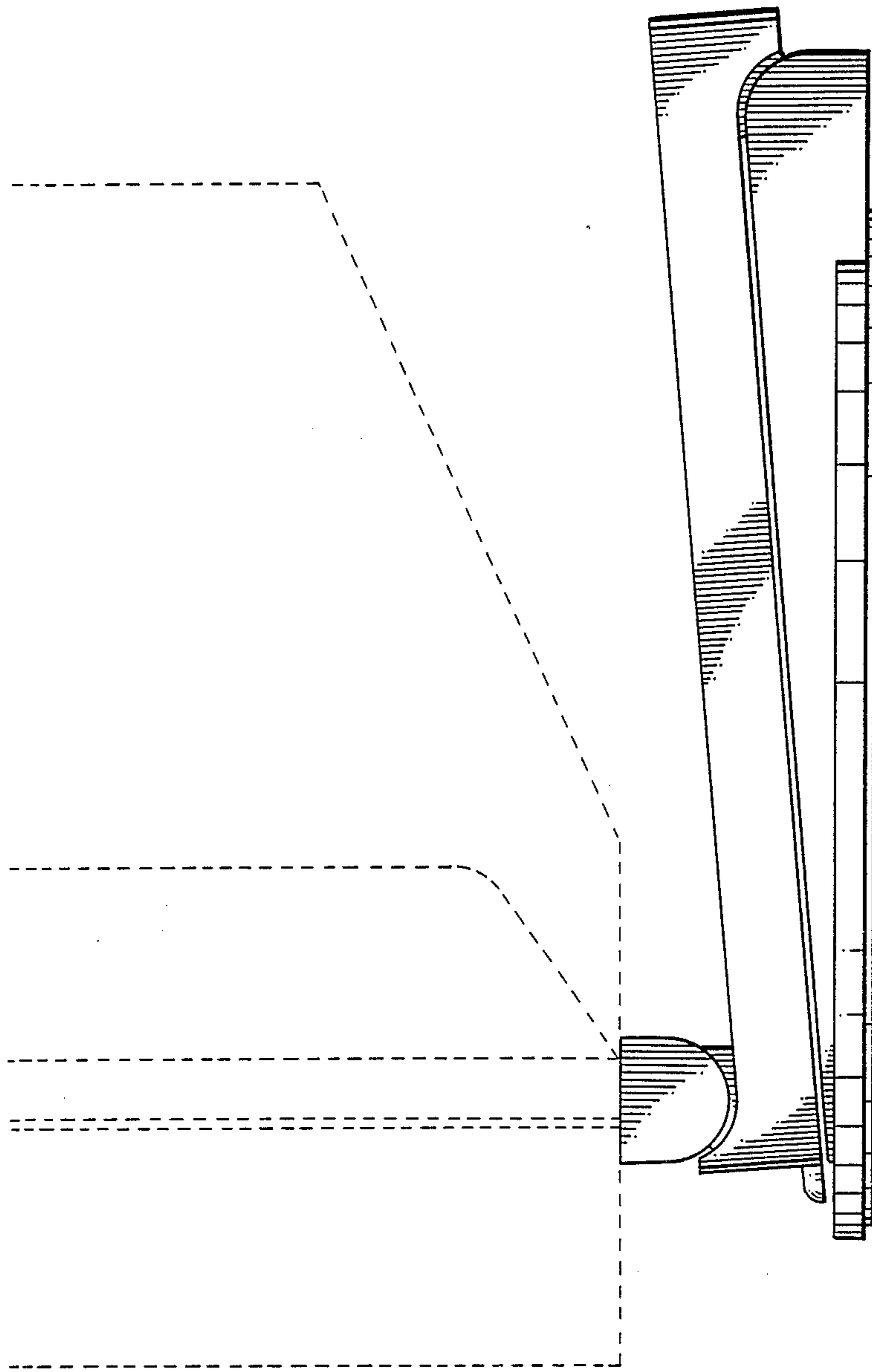


FIG. 6

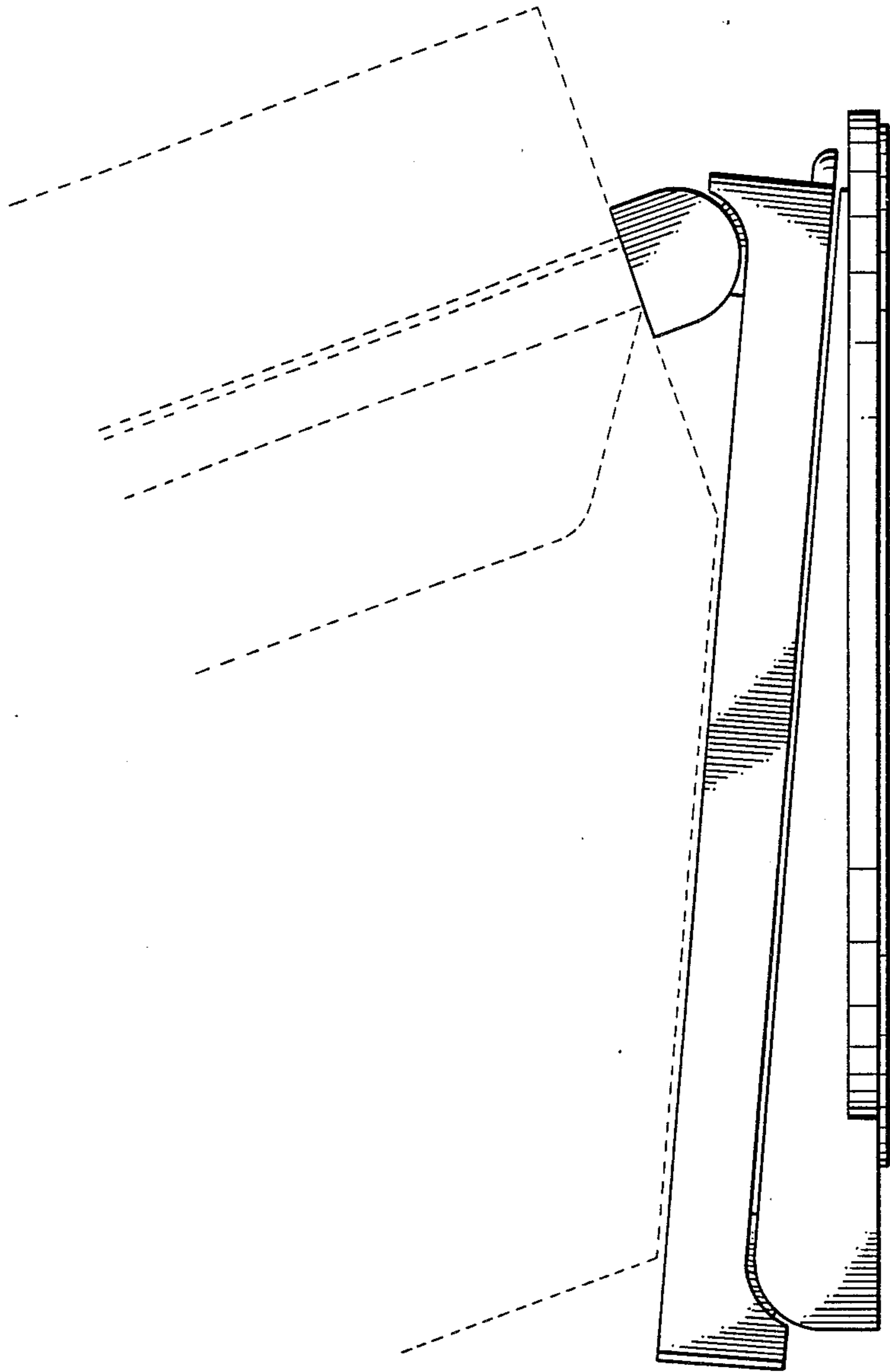


FIG. 7

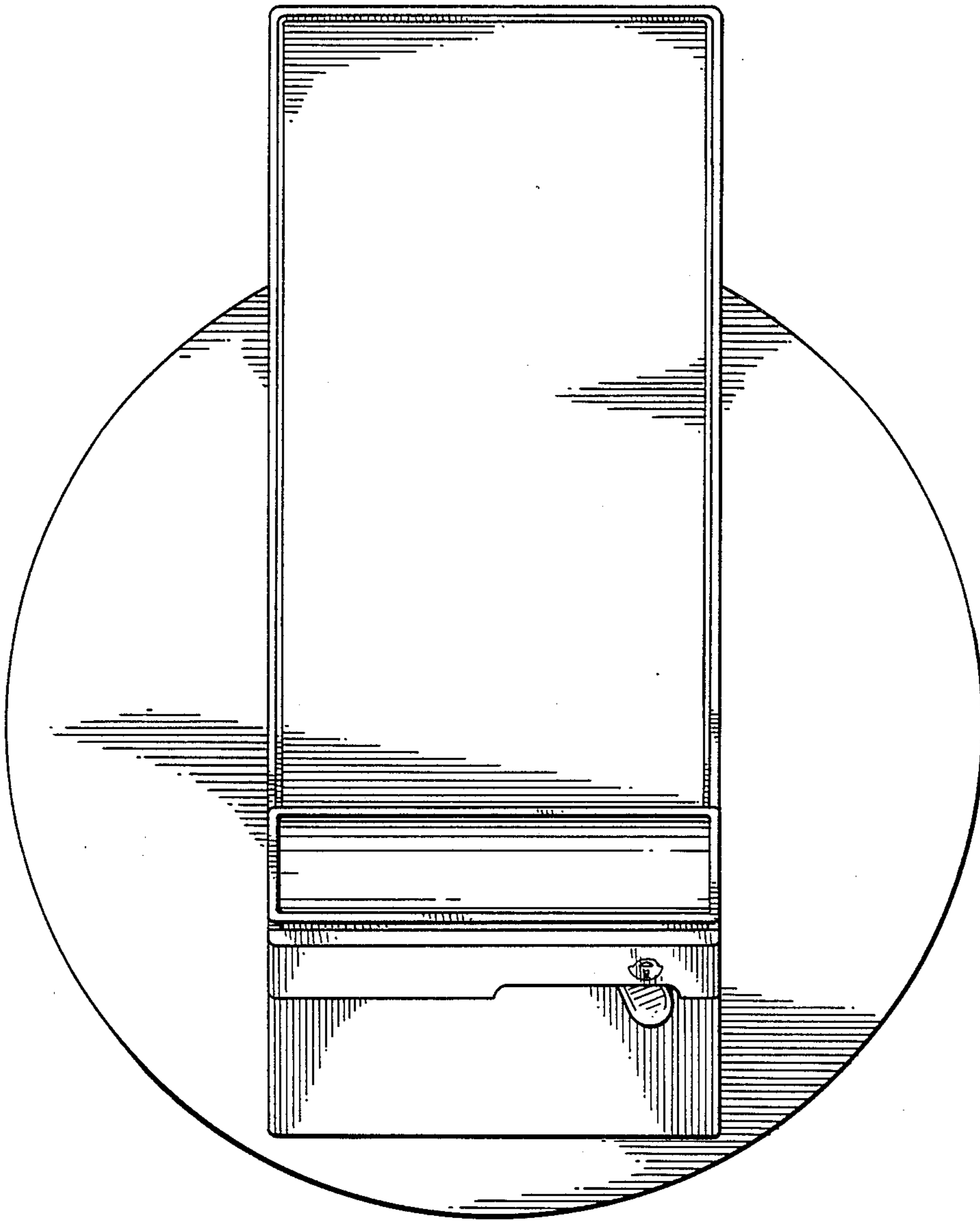


FIG. 8