

[54] DATA RECORDING CARTRIDGE FOR LANGUAGE LEARNING MACHINE

[75] Inventors: Akito Ueshin; Hidekiyo Kushima, both of Yokohama; Shinichi Ishigame, Kawasaki, all of Japan

[73] Assignee: Kabushiki Kaisha Toshiba, Kawasaki, Japan

[\*\*] Term: 14 Years

[21] Appl. No.: 164,727

[22] Filed: Mar. 7, 1988

[30] Foreign Application Priority Data

Sep. 8, 1987 [JP] Japan ..... 62-36434

[52] U.S. Cl. .... D14/114

[58] Field of Search ..... D14/100, 114, 117; 360/132, 133, 135, 60; 206/312, 444; 434/156, 167, 169, 184, 112, 114, 116, 118

[56] References Cited

U.S. PATENT DOCUMENTS

- D. 271,688 12/1983 Tajima et al. .... D14/114 X
- D. 298,327 11/1988 Kimura ..... D14/114
- 3,893,182 7/1975 Schmidt ..... 434/169 X
- 4,611,995 9/1986 Sado ..... 434/169 X
- 4,791,511 12/1988 Davis ..... 360/133 X

FOREIGN PATENT DOCUMENTS

- 623216 4/1984 Japan .
- 0001178 1/1986 Japan ..... 434/156

OTHER PUBLICATIONS

Catalog of Mitsubishi IC Card, MELCARD—Mitsubishi Electric Corporation published Feb., 1986.

Catalog of maxwell MEMORY CARTRIDGE, ML-32PC Hitachi Maxell Co., Ltd. published May 20, 1986.

Catalog of National Memory Card, BN-008.

Primary Examiner—Susan J. Lucas

Assistant Examiner—Freda S. Nunn

Attorney, Agent, or Firm—Oblon, Spivak, McClelland, Maier & Neustadt

[57] CLAIM

The ornamental design for a data recording cartridge for language learning machine, as shown and described.

DESCRIPTION

FIG. 1 is a top, front, left side perspective view of a data recording cartridge for language learning machine showing our new design;

FIG. 2 is a top plan view thereof;

FIG. 3 is a left side elevational view thereof;

FIG. 4 is a front end elevational view thereof, the rear end elevational being a mirror image of the front;

FIG. 5 is a right side elevational view thereof;

FIG. 6 is a bottom plan view thereof;

FIG. 7 is a reduced perspective view showing the cartridge in a normal working state. The language learning machine is shown in broken lines for illustrative purposes only and forms no part of the claimed design.

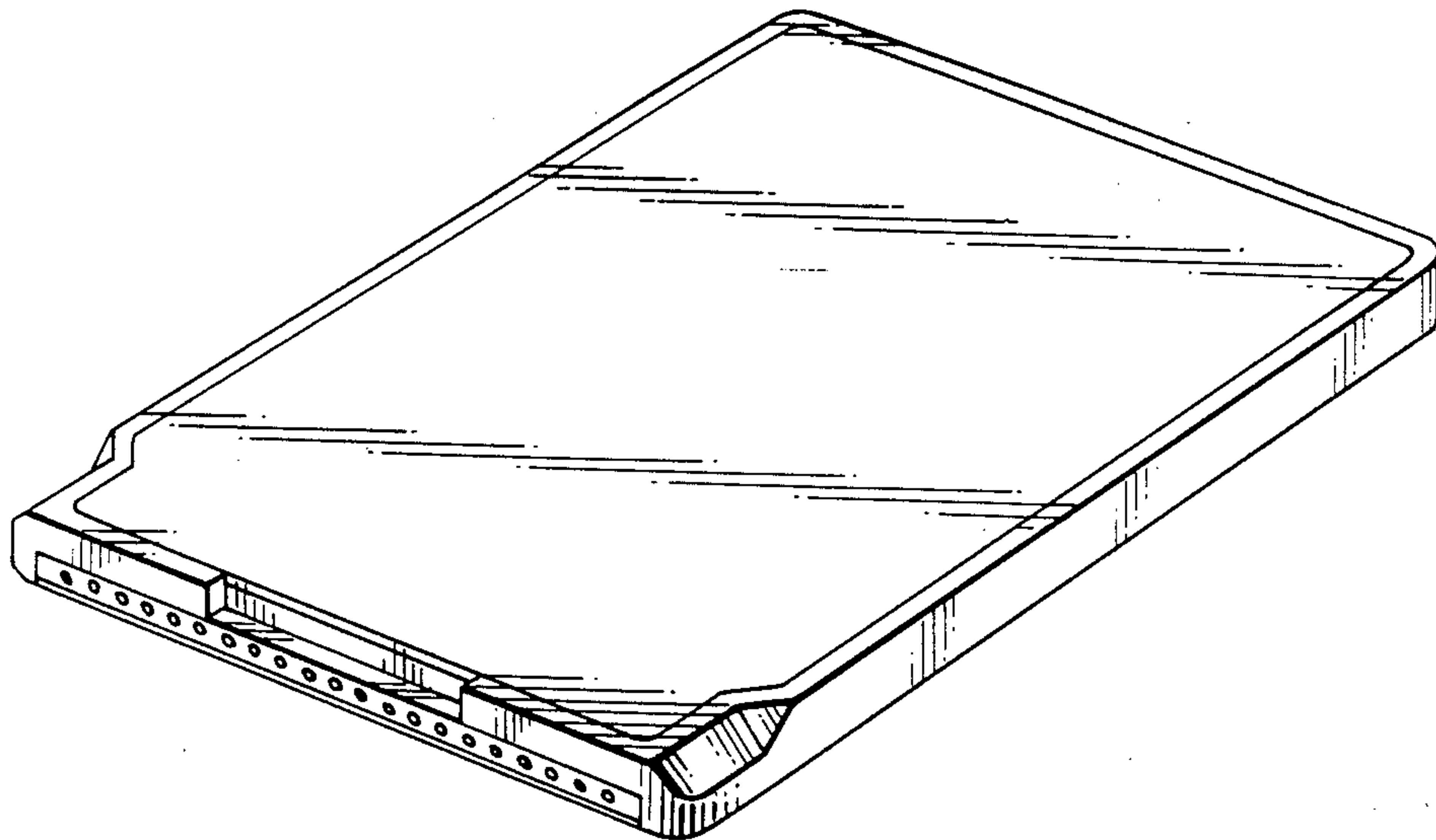


FIG. 1

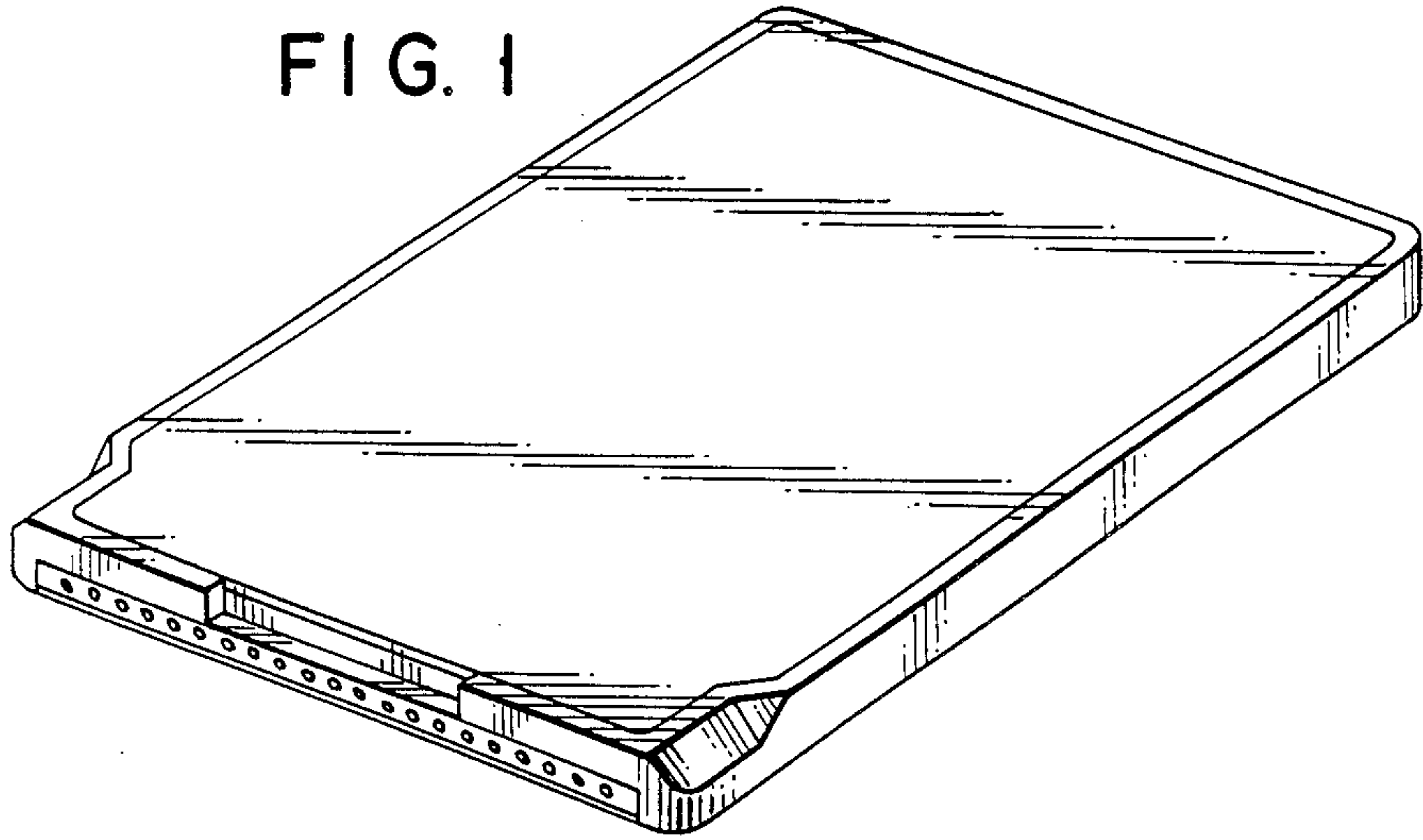


FIG. 2

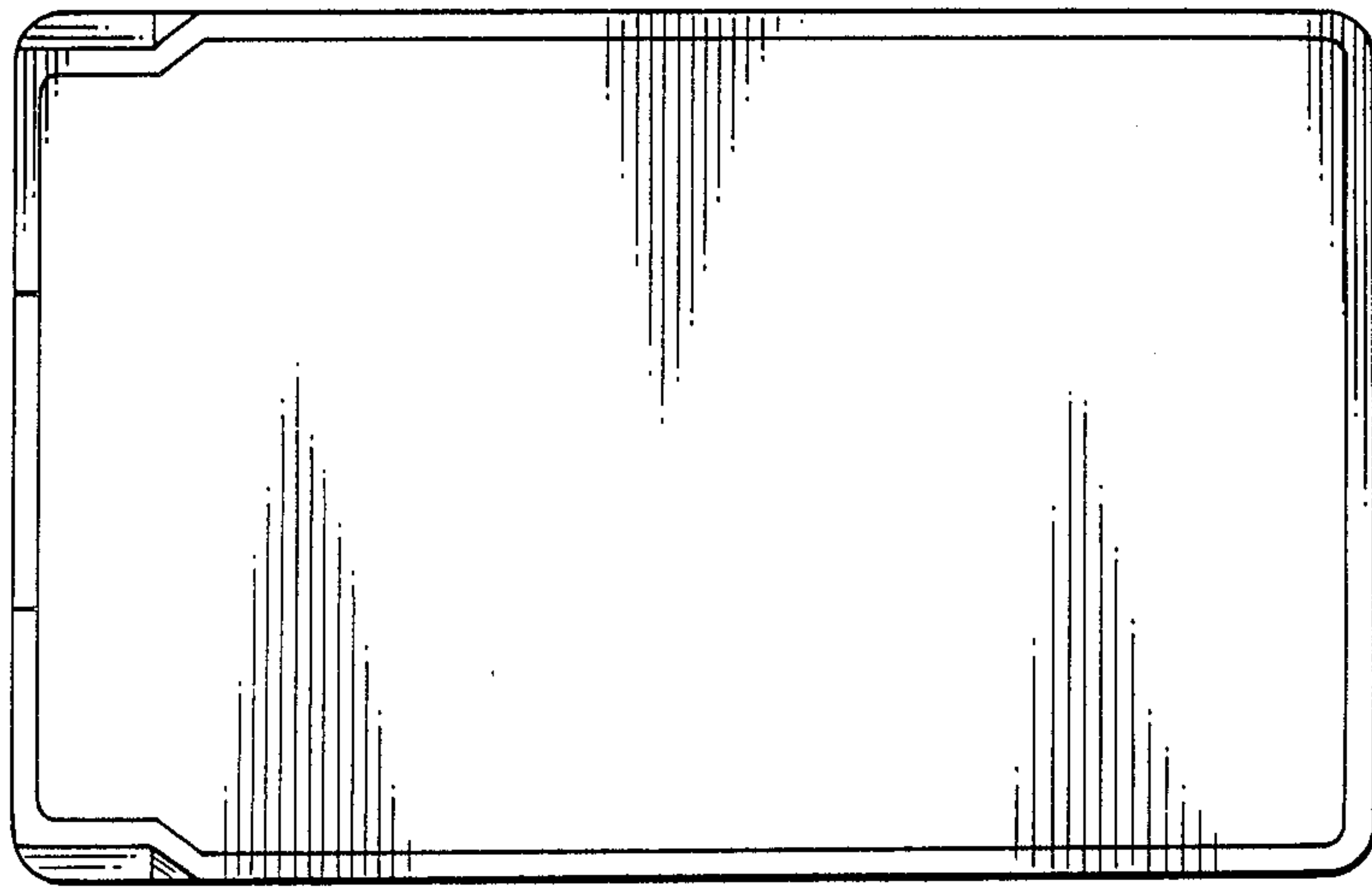


FIG. 3



FIG. 4



FIG. 5



FIG. 6

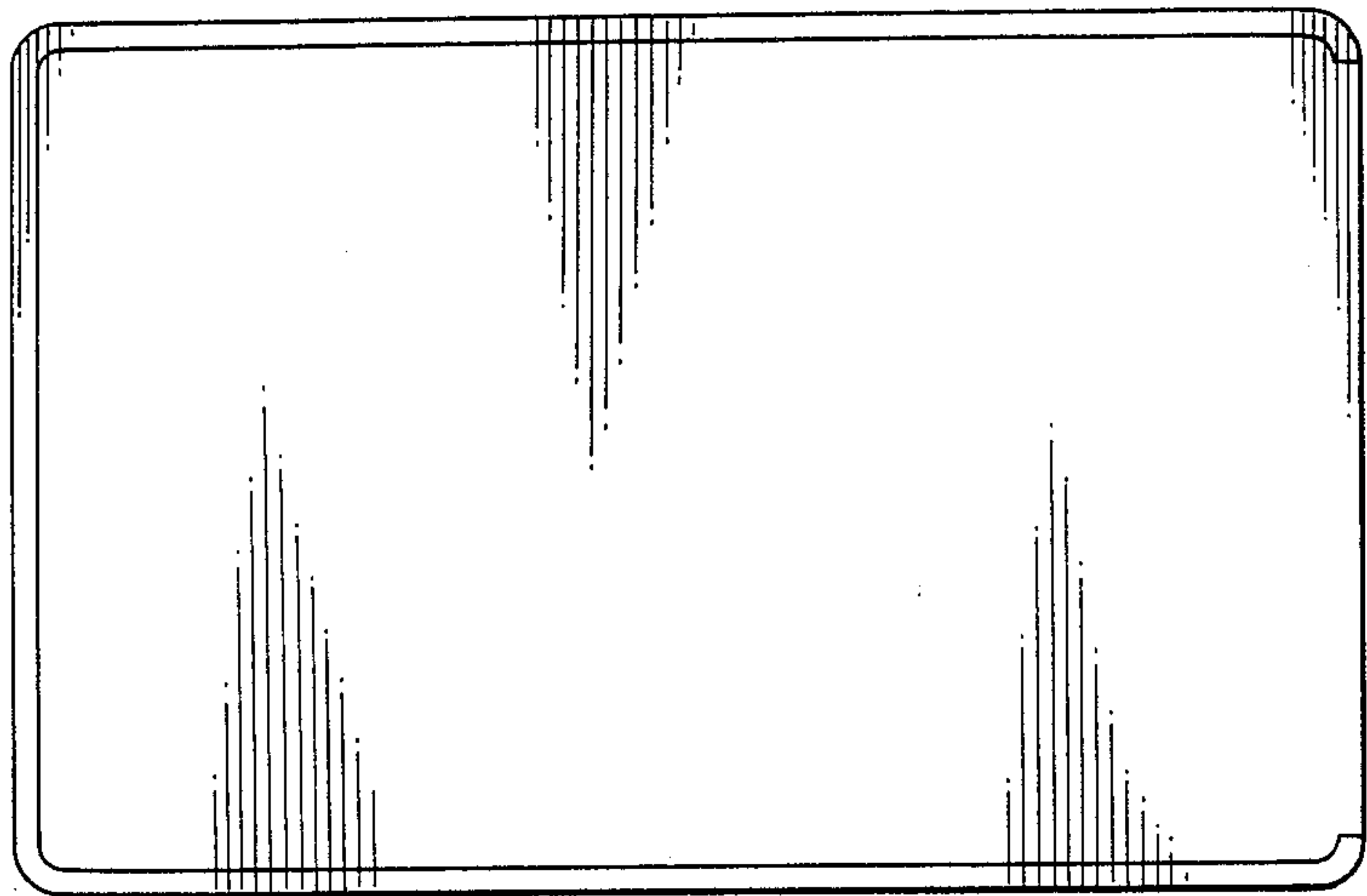


FIG. 7

