

[54] DATA PROCESSOR

[75] Inventors: Allen J. Brenneman, Elkhart, Ind.;
Jeanne McLean, Lisle, Ill.

[73] Assignee: Miles Inc., Elkhart, Ind.

[**] Term: 14 Years

[21] Appl. No.: 334,385

[22] Filed: Apr. 7, 1989

[52] U.S. Cl. D14/100

[58] Field of Search D14/100, 106, 107, 113,
D14/115; D18/1, 7, 11, 12; 235/145 A, 145 R;
340/700, 706, 711, 712; 341/22, 23; 358/249,
254; 364/706-710

[56] References Cited

U.S. PATENT DOCUMENTS

D. 224,597	8/1972	Sours	D14/106
D. 243,254	2/1977	Coon	D14/100
D. 246,368	11/1977	Barnich et al.	D14/100
D. 247,779	4/1978	Barnich et al.	D14/106

D. 262,706 1/1982 Vierling et al. D14/100 X

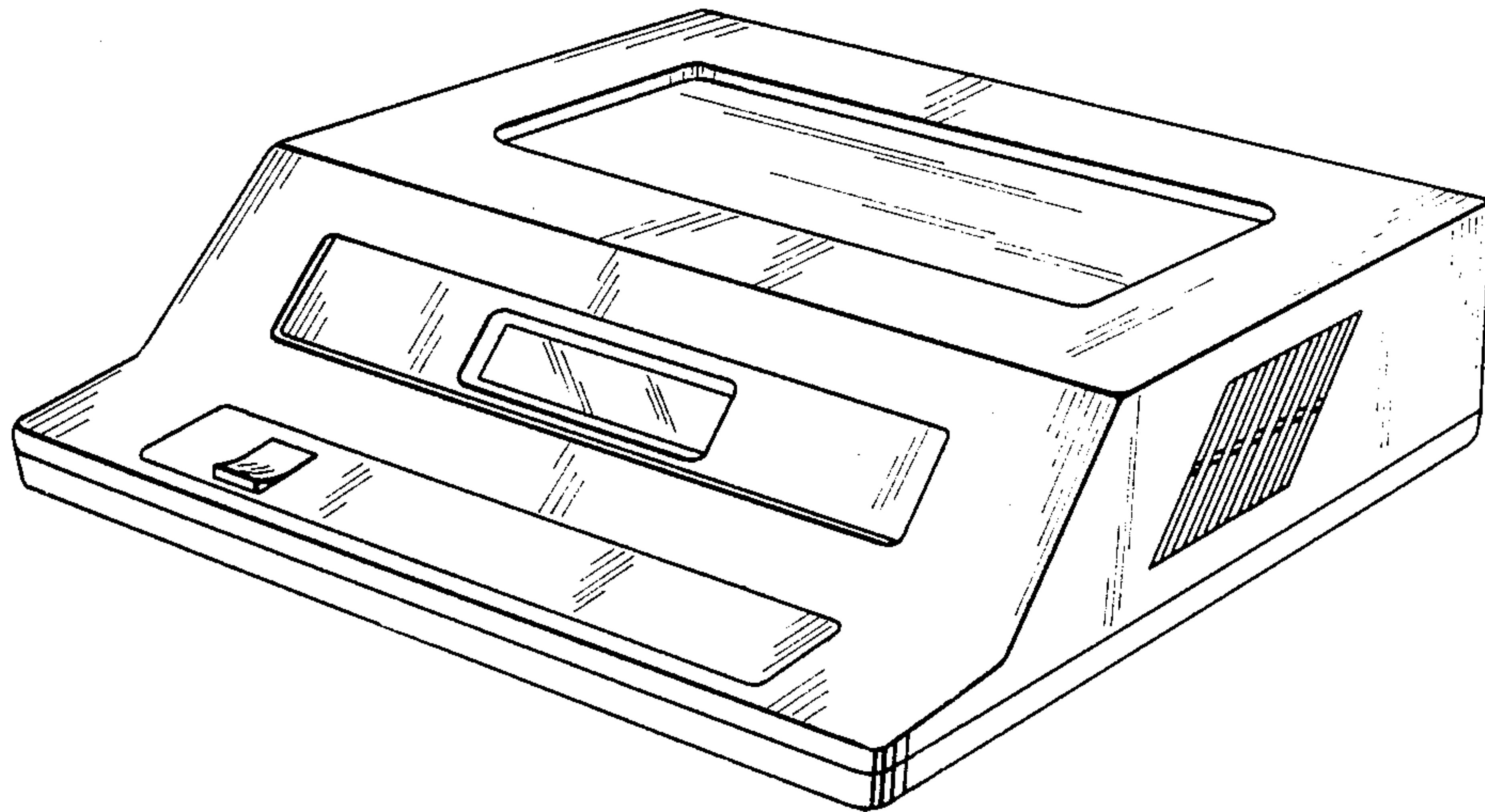
Primary Examiner—Susan J. Lucas
Assistant Examiner—Freda S. Nunn
Attorney, Agent, or Firm—Roger N. Coe

[57] CLAIM

The ornamental design for the data processor, as shown and described.

DESCRIPTION

FIG. 1 is a top, front, right side perspective view of a data processor showing our new design;
FIG. 2 is a top plan view thereof on an enlarged scale;
FIG. 3 is a bottom plan view thereof on an enlarged scale;
FIG. 4 is a front elevational view thereof on an enlarged scale;
FIG. 5 is a rear elevational view thereof on an enlarged scale;
FIG. 6 is a left side elevational view thereof on an enlarged scale;
FIG. 7 is a right side elevational view thereof on an enlarged scale.



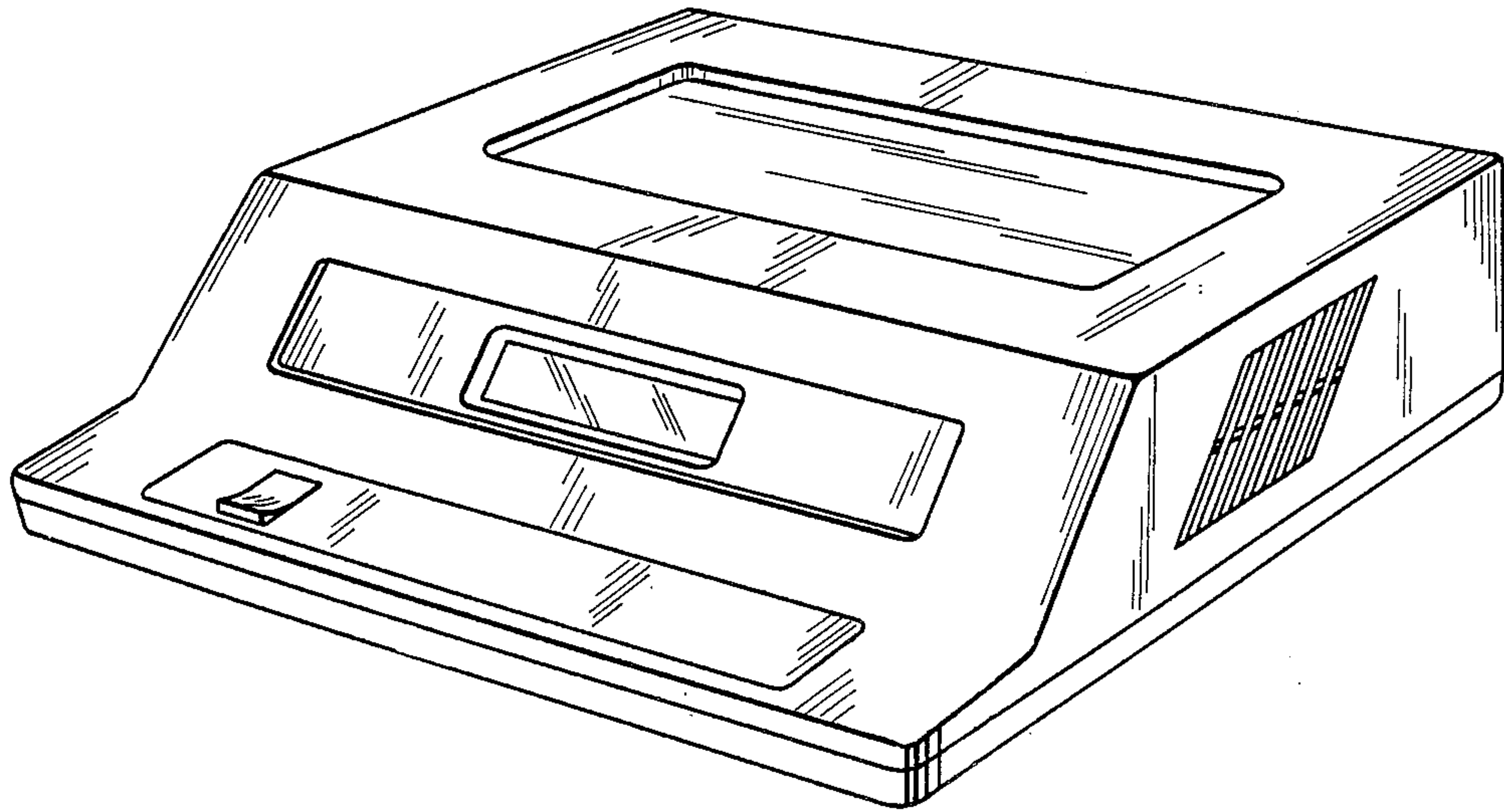


FIG. 1

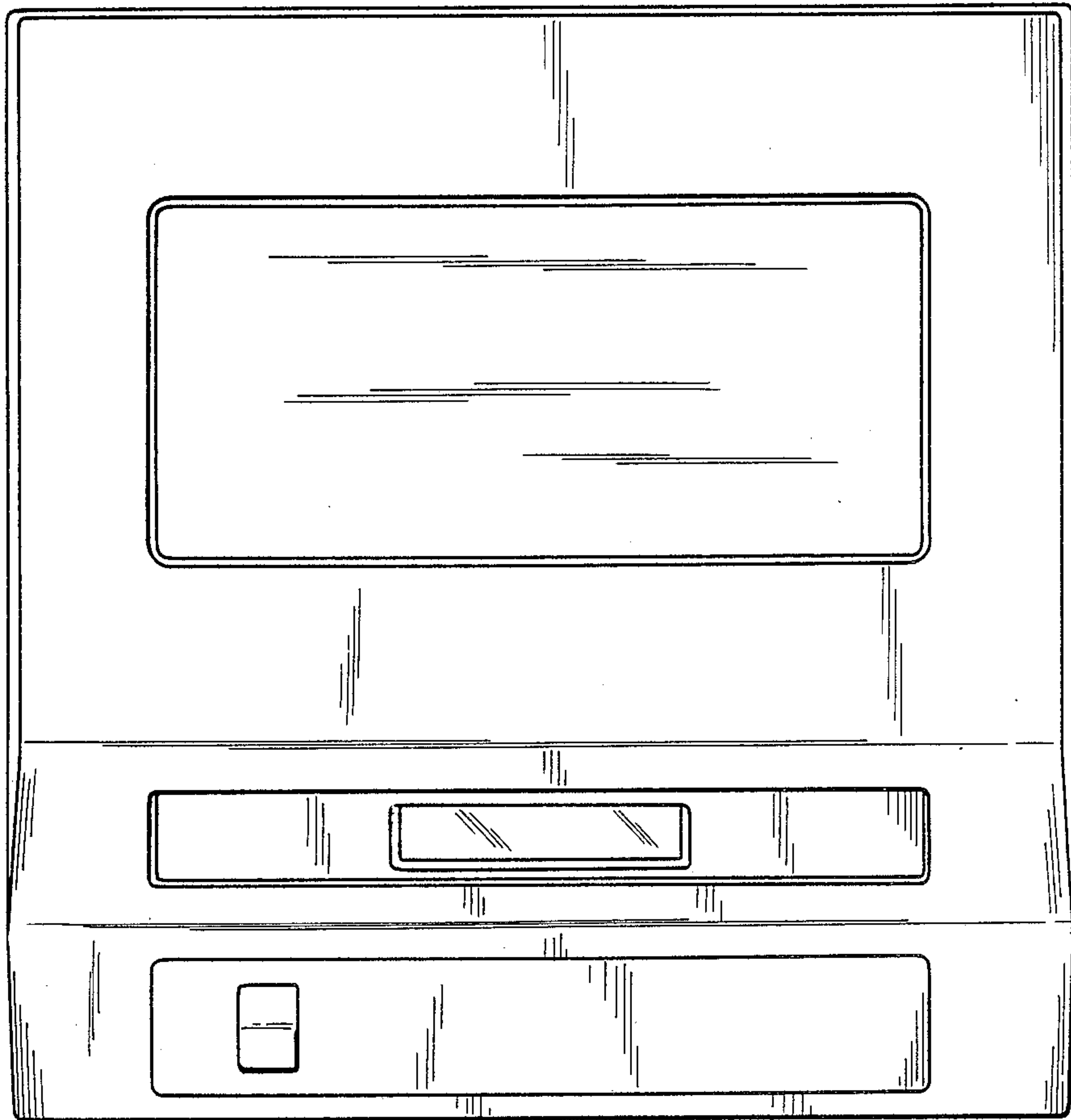


FIG. 2

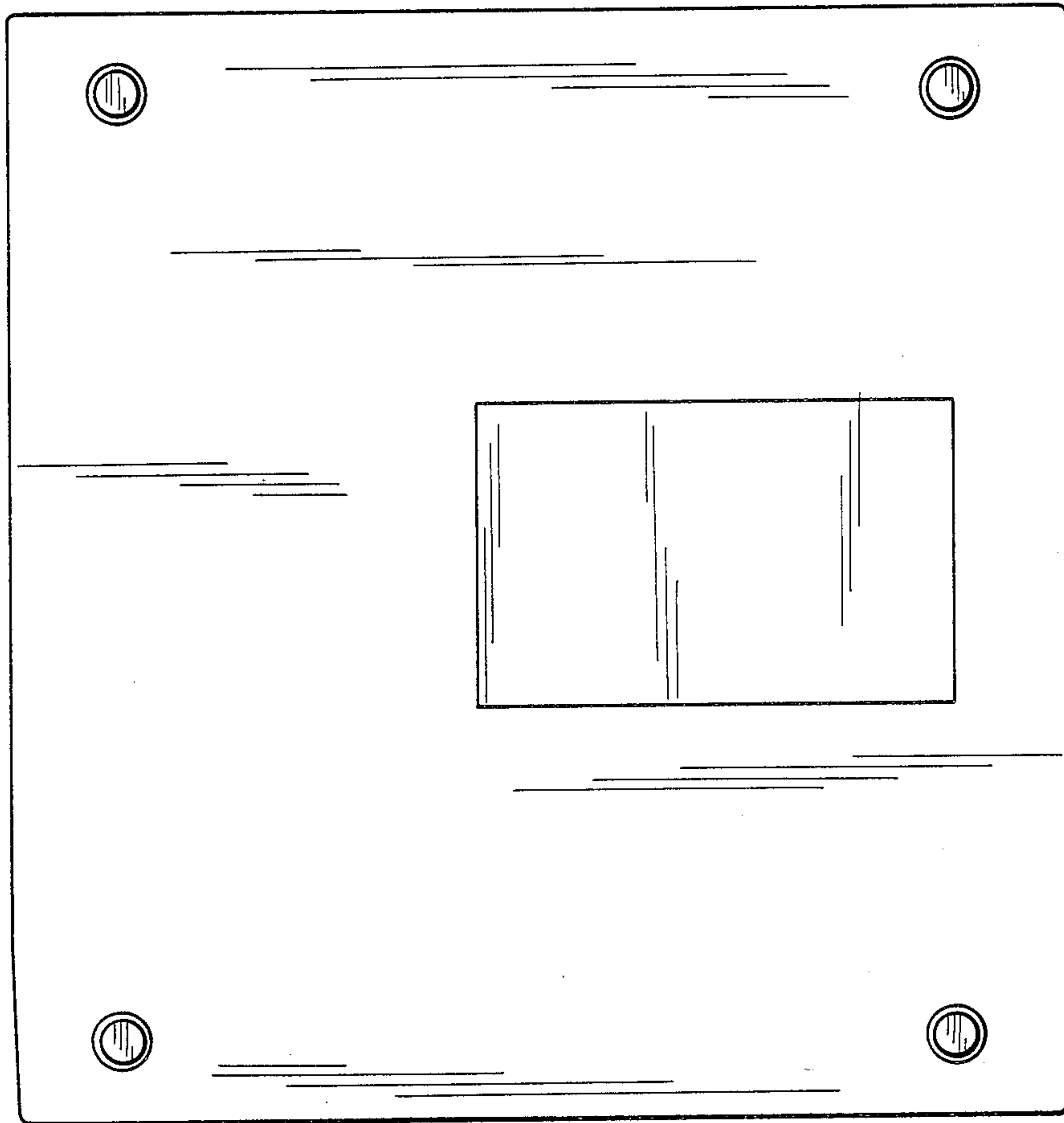


FIG. 3

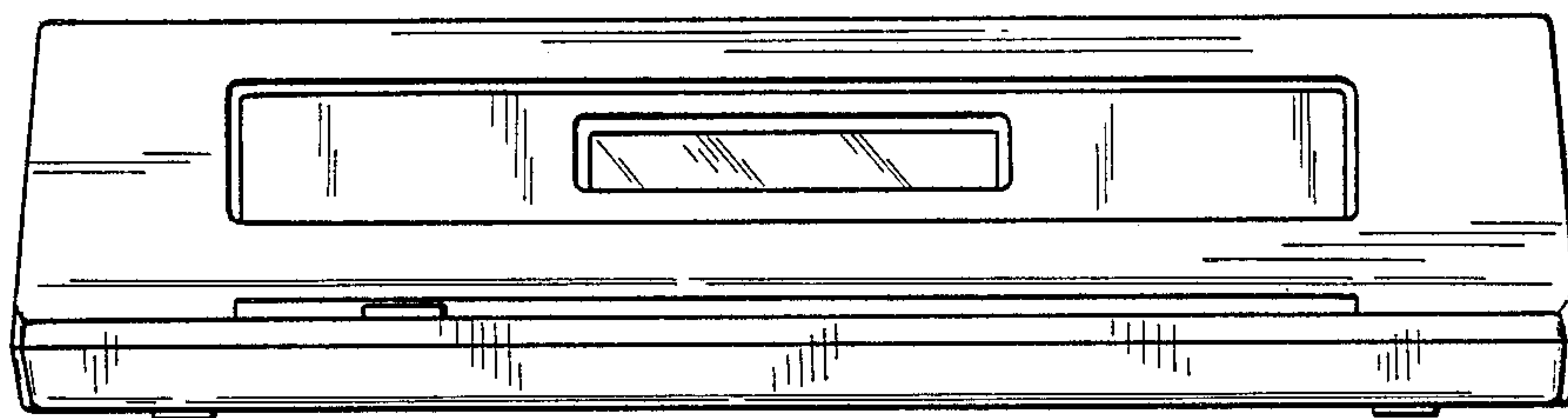


FIG. 4

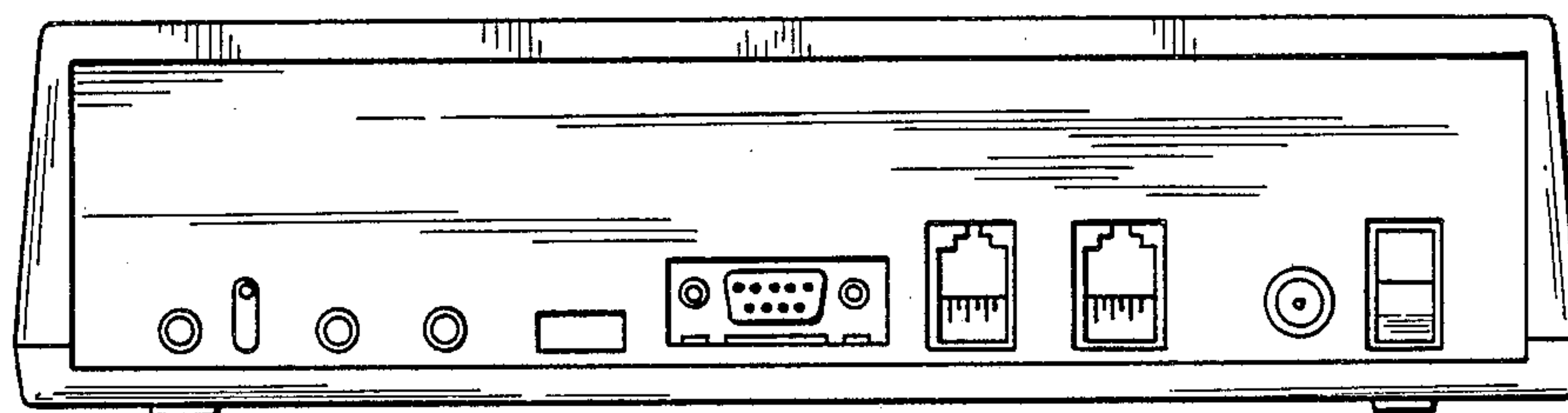


FIG. 5

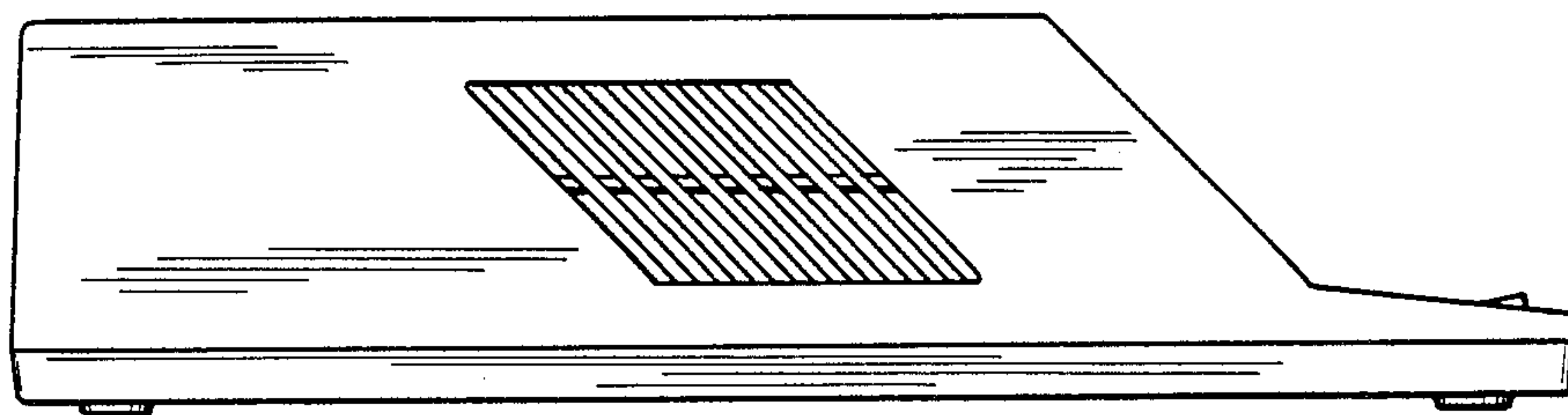


FIG. 6

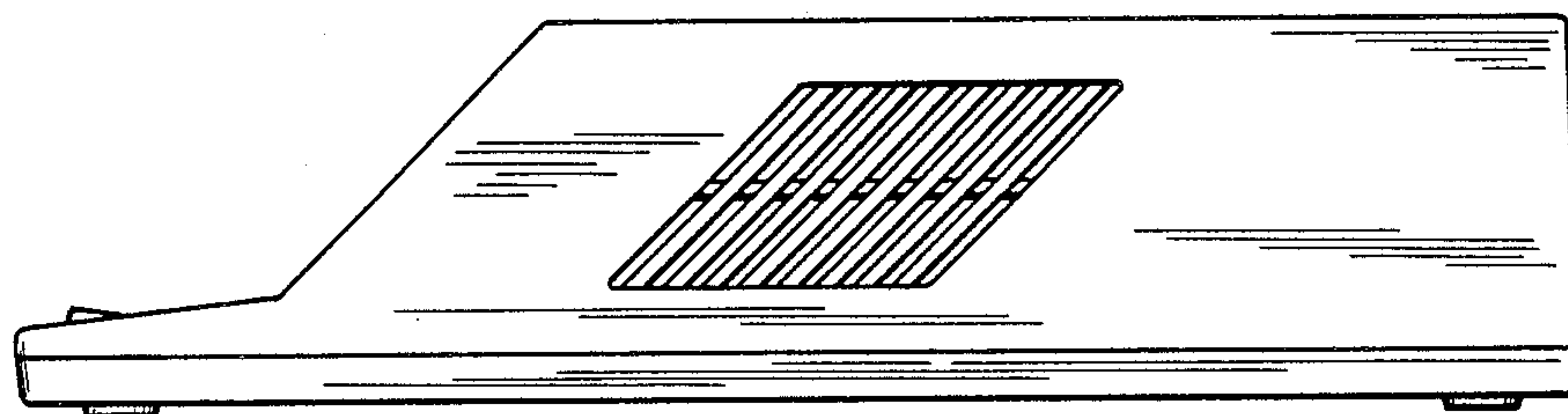


FIG. 7