

[54] CONNECTOR HOUSING FOR ELECTRICAL WIRE

4,256,360 3/1981 Debaigt 439/399
4,421,376 12/1983 Cosmos et al. 439/350 X
4,713,025 12/1987 Soma 439/449 X
4,759,723 7/1988 Siemon 439/476 X

[75] Inventors: Takayoshi Endo; Masayuki Yamamoto, both of Gotenba, Japan

Primary Examiner—Susan J. Lucas
Attorney, Agent, or Firm—Shlesinger & Myers

[73] Assignee: Yazaki Corporation, Tokyo, Japan

[57] CLAIM

[**] Term: 14 Years

The ornamental design for a connector housing for electrical wire, as shown and described.

[21] Appl. No.: 79,604

DESCRIPTION

[22] Filed: Jul. 30, 1987

[30] Foreign Application Priority Data

Jan. 30, 1987 [JP] Japan 62-003091

[52] U.S. Cl. D13/149

[58] Field of Search D13/13, 24;
439/395-400, 350, 467, 399, 449

FIG. 1 is a top plan view of a connector housing for electrical wire, embodying our new design;
FIG. 2 is a front elevational view thereof;
FIG. 3 is a right side elevational view thereof the left side being a mirror image;
FIG. 4 is a cross sectional view thereof taken along the line 4-4 of FIG. 2;
FIG. 5 is a top, front, side perspective view thereof, the electrical wires and covers being shown in broken line for illustrative purposes only;
FIG. 6 is a bottom plan view thereof, and
FIG. 7 is a rear elevational view thereof.

[56] References Cited

U.S. PATENT DOCUMENTS

D. 259,635 6/1981 Plummer D13/24
D. 292,087 9/1987 Bryant D13/24
4,145,103 3/1979 Knowles 439/400

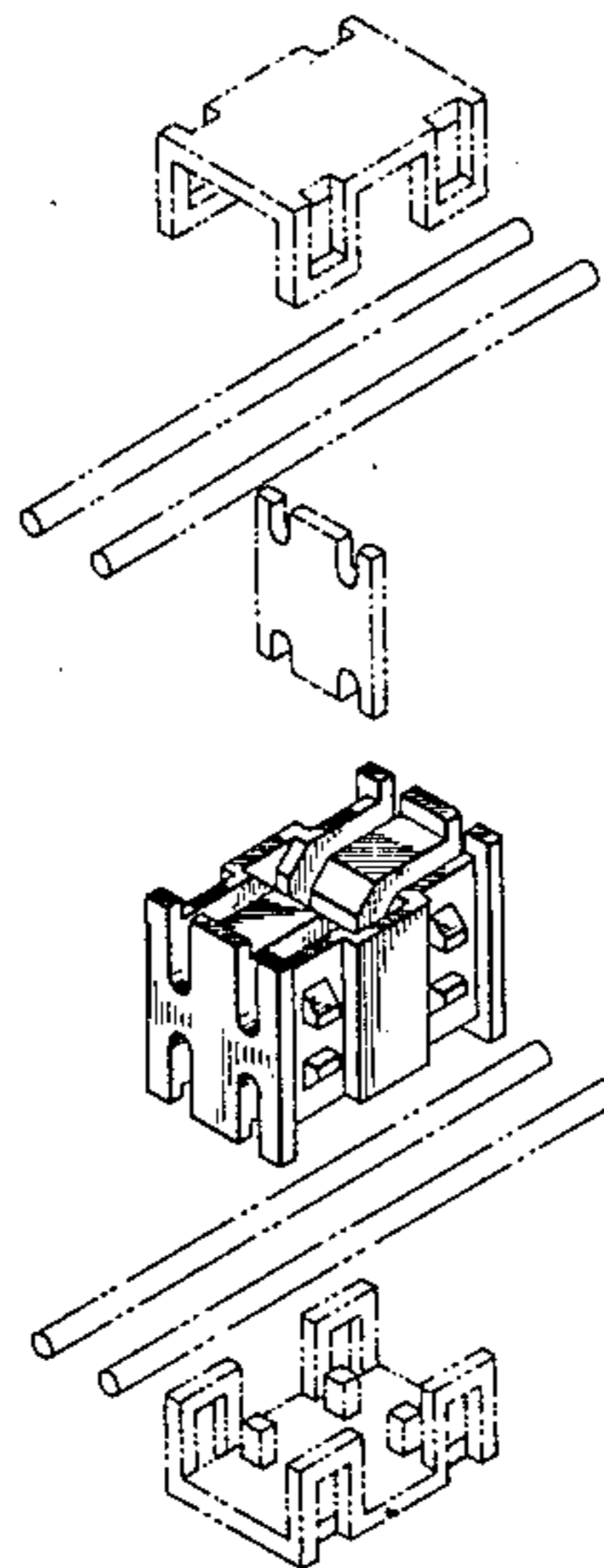


FIG. 1

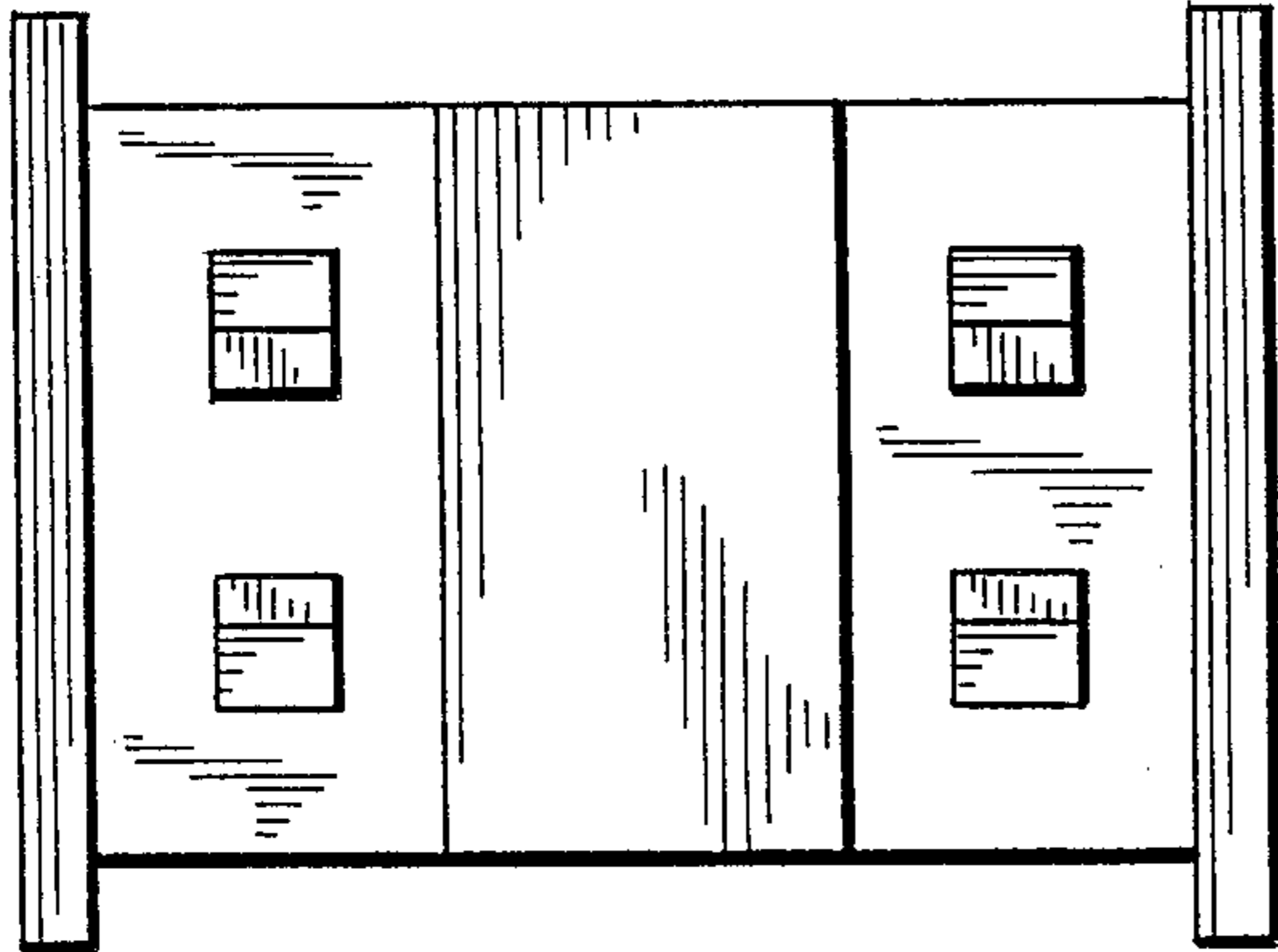


FIG. 2

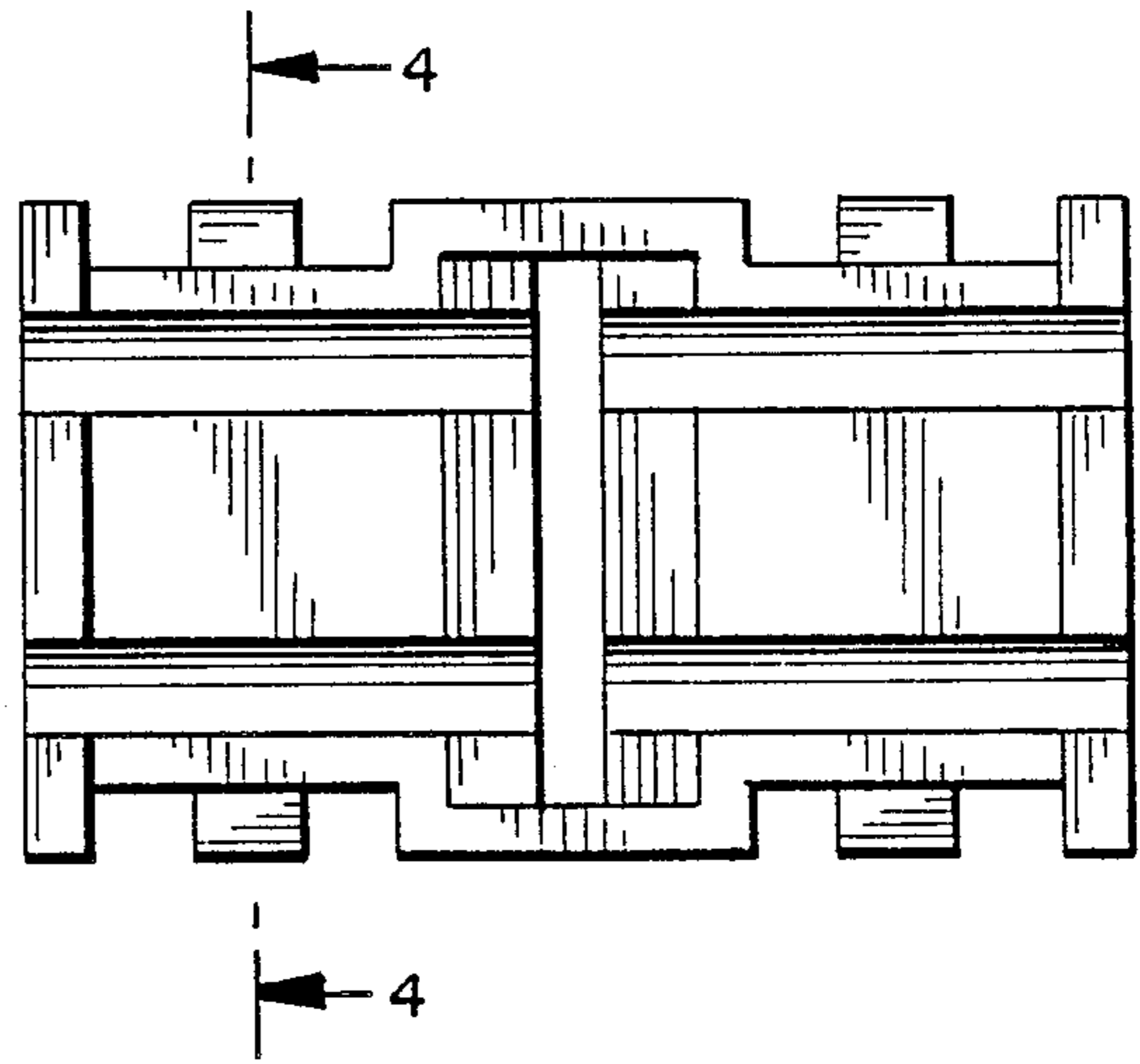


FIG. 3

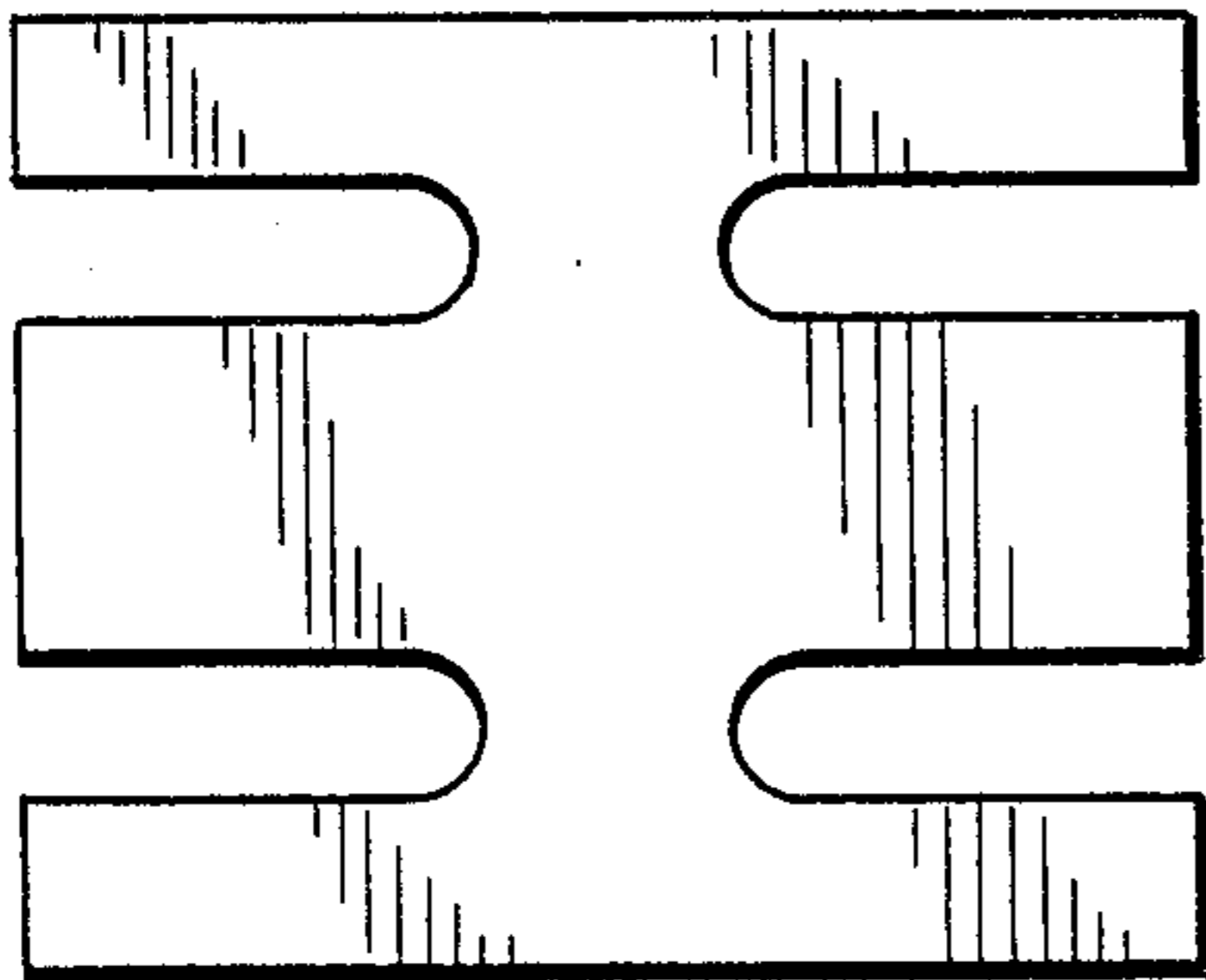


FIG. 4

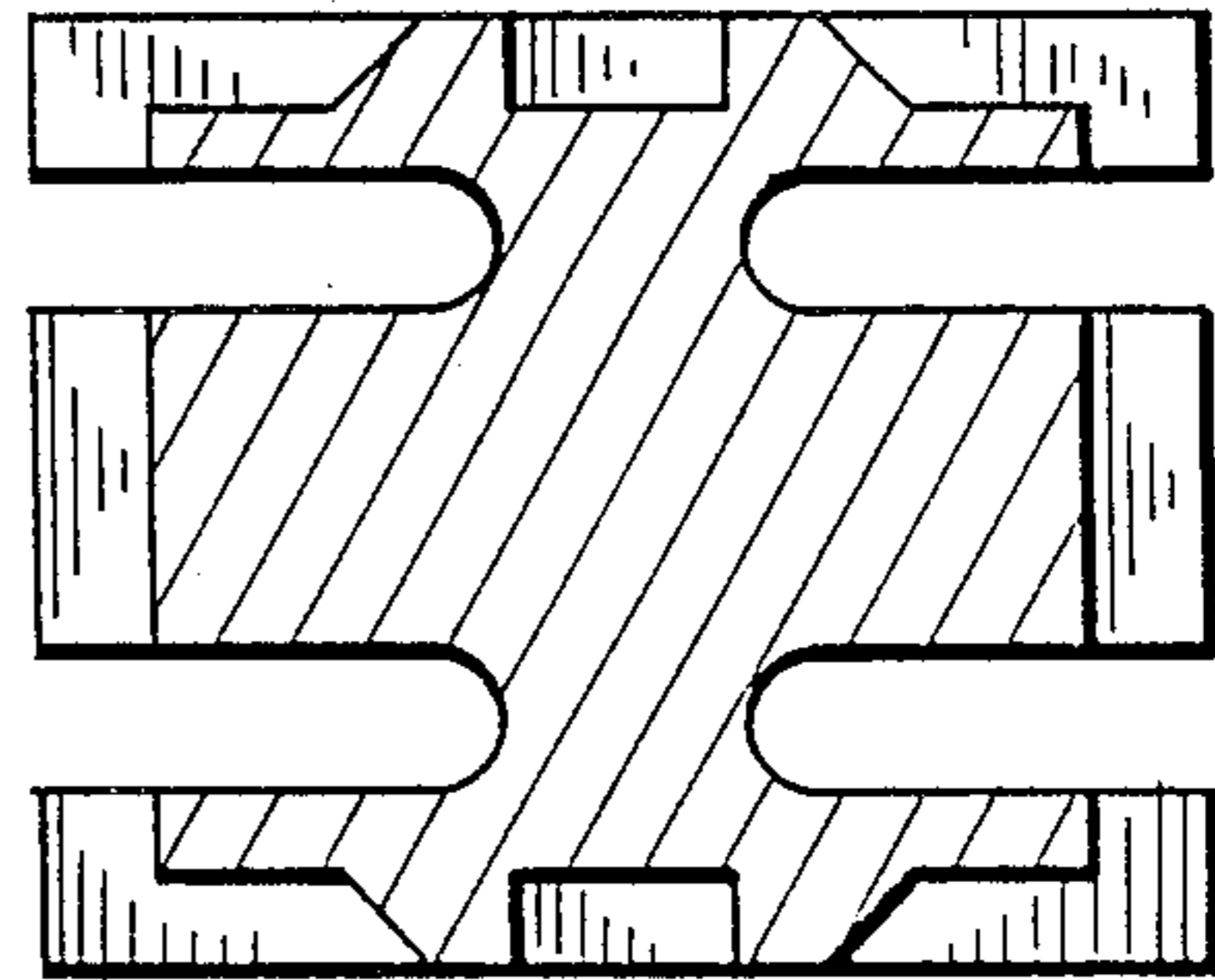


FIG. 6

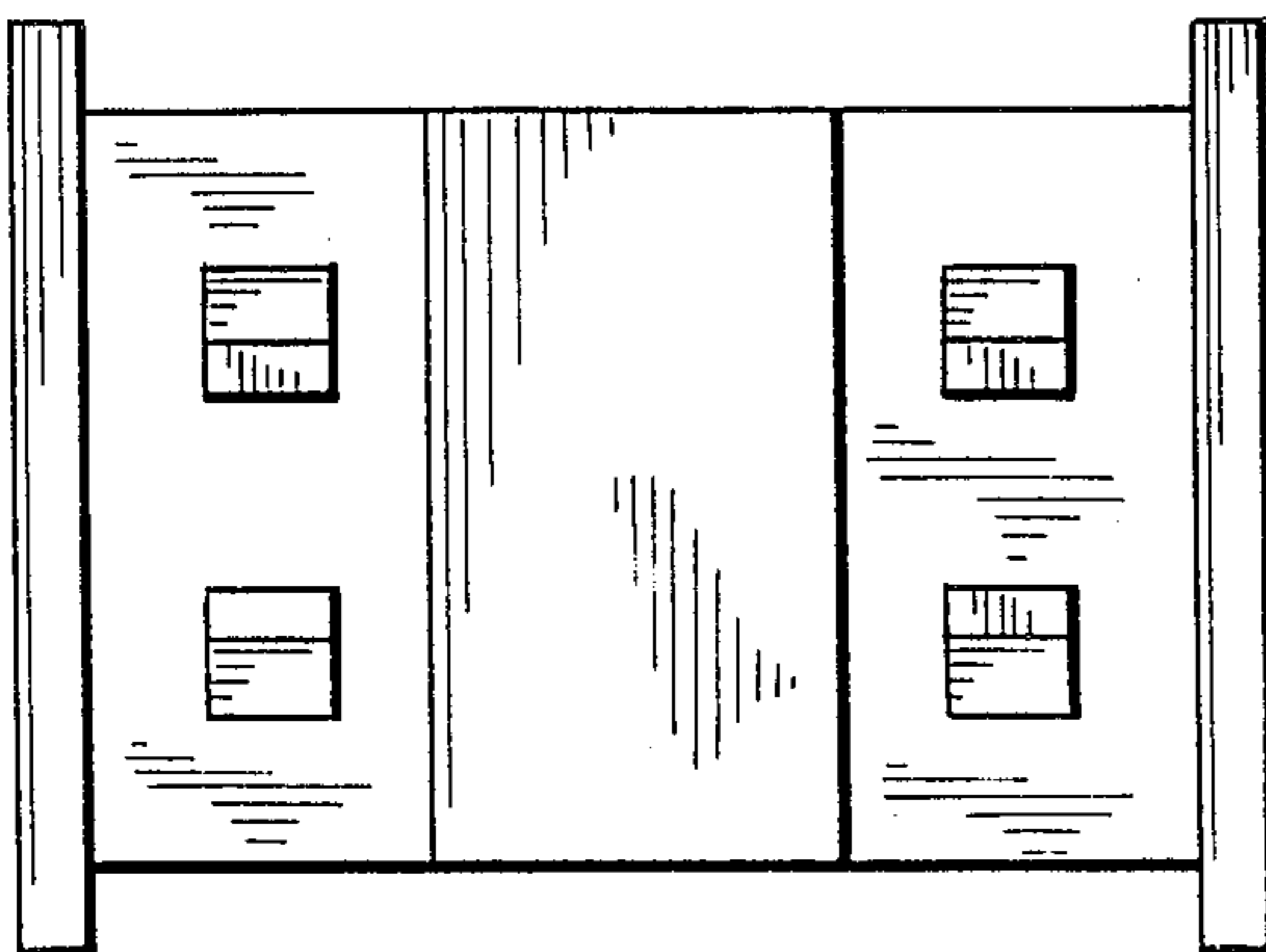


FIG. 7

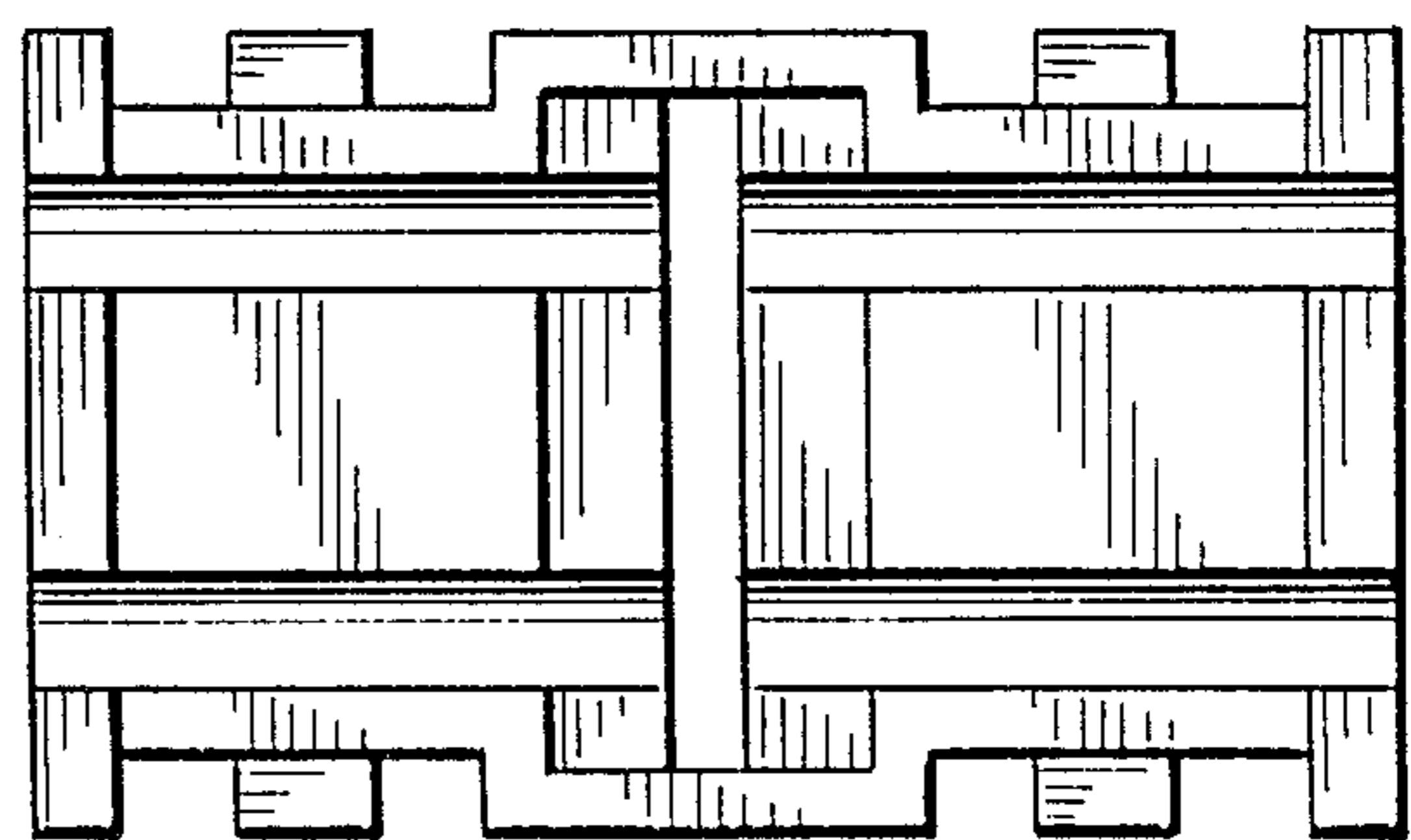


FIG. 5

