

[54] HOUSING FOR AN ELECTRICAL CONNECTOR

[75] Inventors: Isao Kameyama; Akira Maeda, both of Kosai, Japan

[73] Assignee: Yazaki Corporation, Japan

[**] Term: 14 Years

[21] Appl. No.: 114,825

[22] Filed: Oct. 30, 1987

[30] Foreign Application Priority Data

Apr. 30, 1987 [JP] Japan 62-16639

[52] U.S. Cl. D13/146

[58] Field of Search D13/24, 30, 133, 139; 439/660, 682, 685, 293, 595, 748

[56] References Cited

U.S. PATENT DOCUMENTS

3,688,243 8/1972 Yamada et al. 439/293

4,243,288 1/1981 Lucins et al. 439/748 X

4,557,542 12/1985 Coller et al. 439/595

OTHER PUBLICATIONS

Yazaki Connector Shown in a 1978 Publication.

Primary Examiner—Susan J. Lucas

Assistant Examiner—Joel Sincavage

Attorney, Agent, or Firm—Jones, Askew & Lunsford

[57] CLAIM

The ornamental design for a housing for an electrical connector, as shown and described.

DESCRIPTION

FIG. 1 is a perspective view of a housing for an electrical connector showing our new design;

FIG. 2 is a front elevational view thereof;

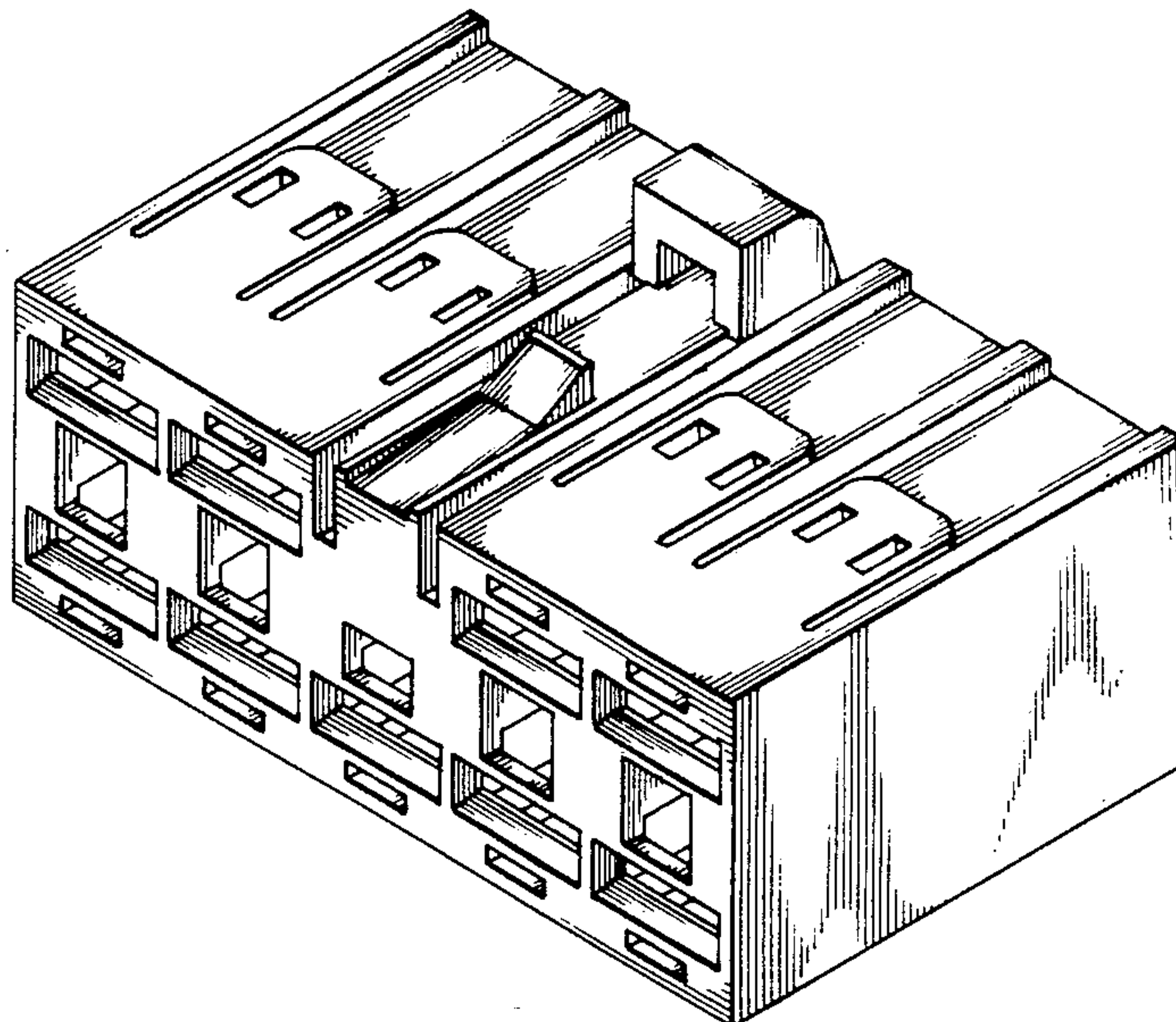
FIG. 3 is a right elevational view thereof, the left elevational view being a mirror image;

FIG. 4 is a top plan view thereof;

FIG. 5 is a bottom plan view thereof;

FIG. 6 is a rear elevational view thereof; and

FIG. 7 is a section view thereof taken at cut line 7—7 in FIG. 2.



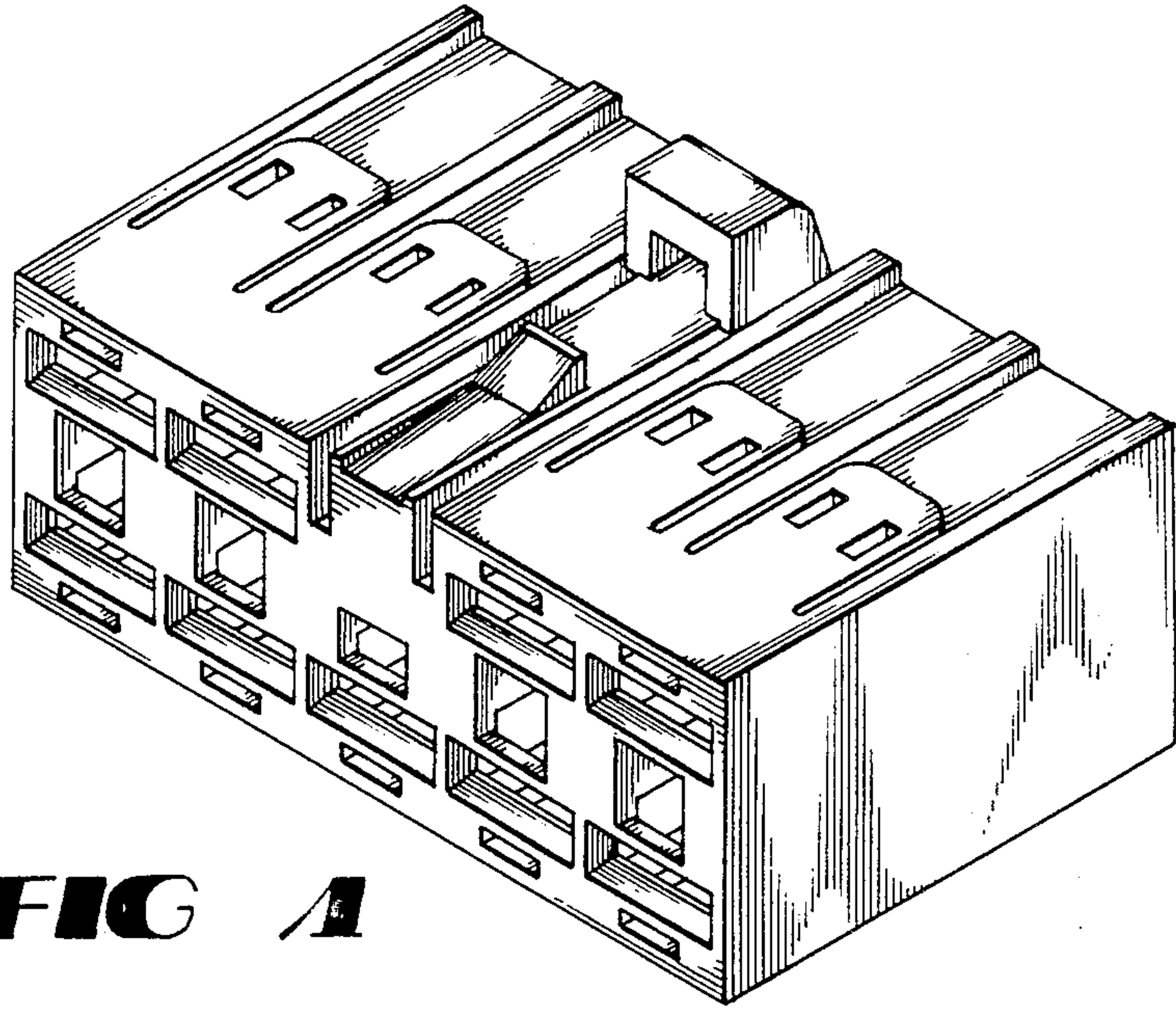


FIG 1

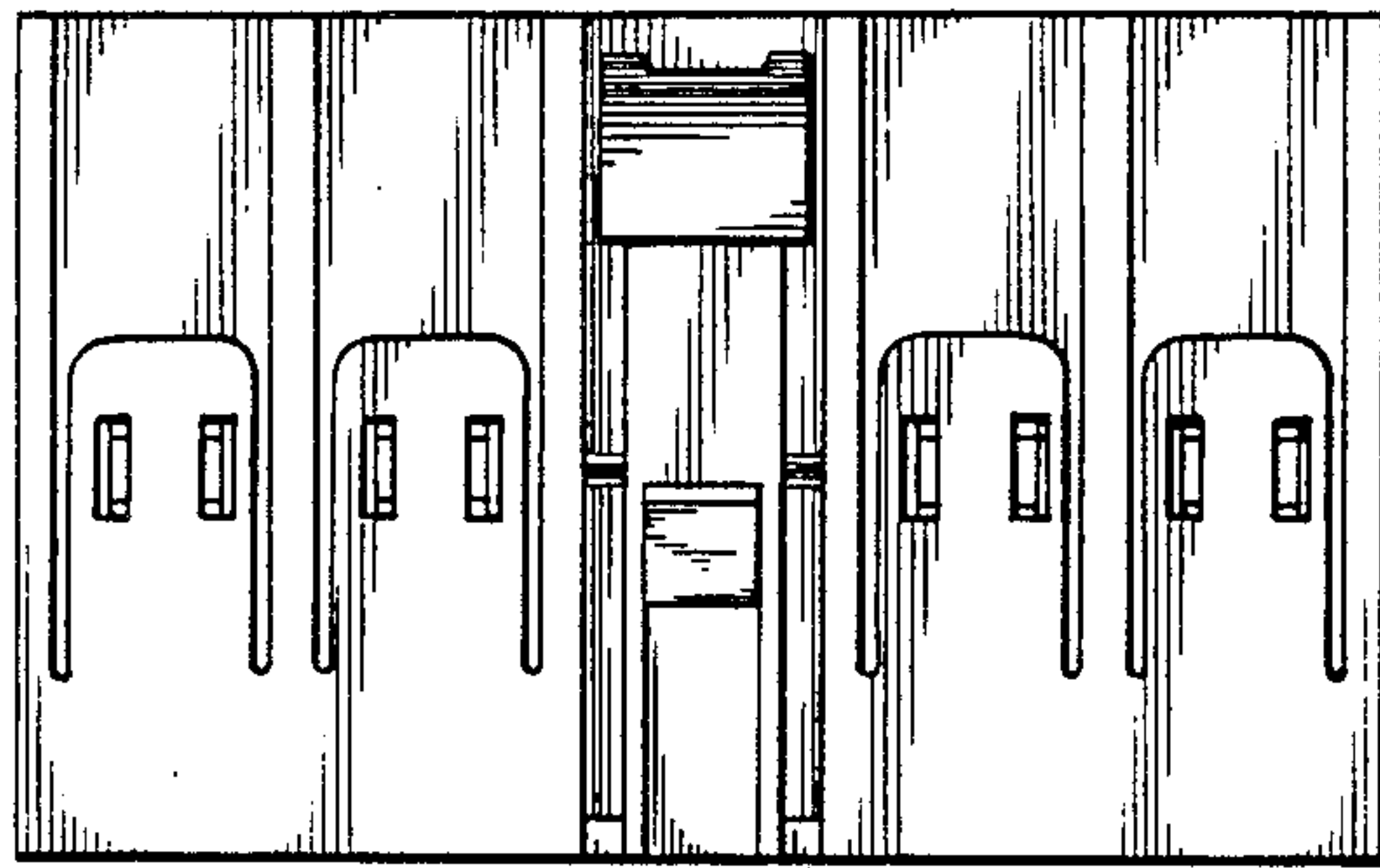


FIG 4

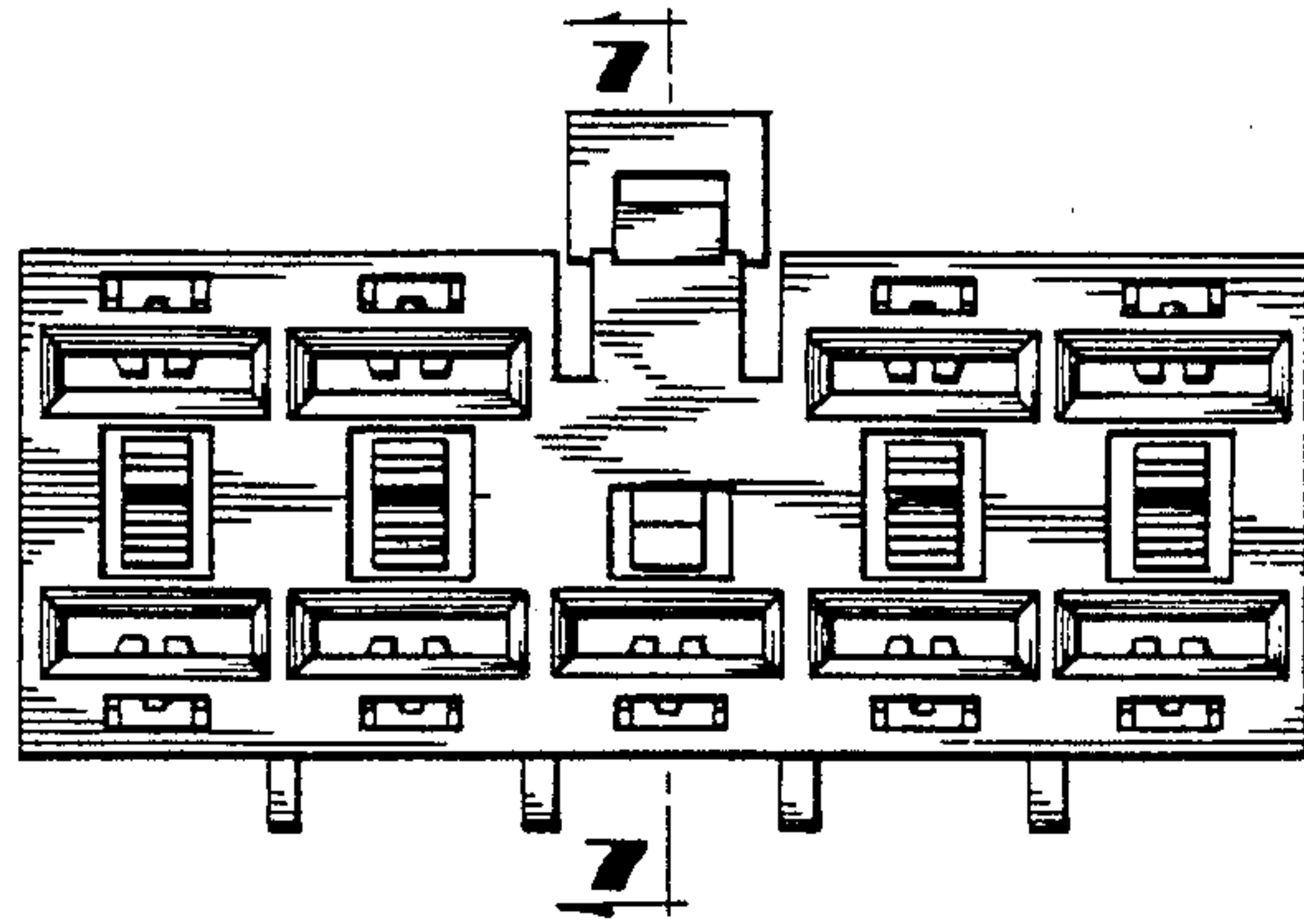


FIG 2

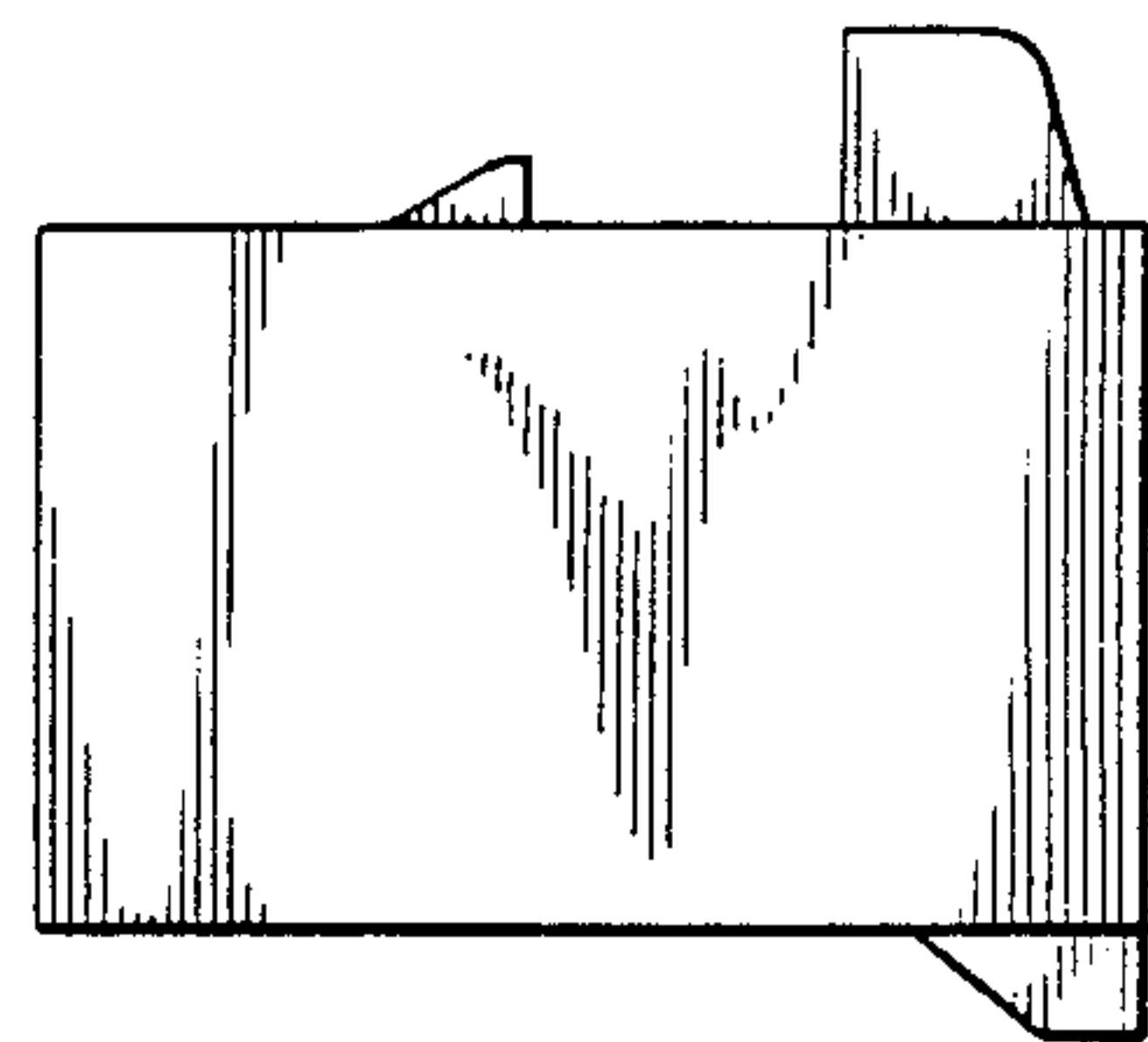


FIG 3

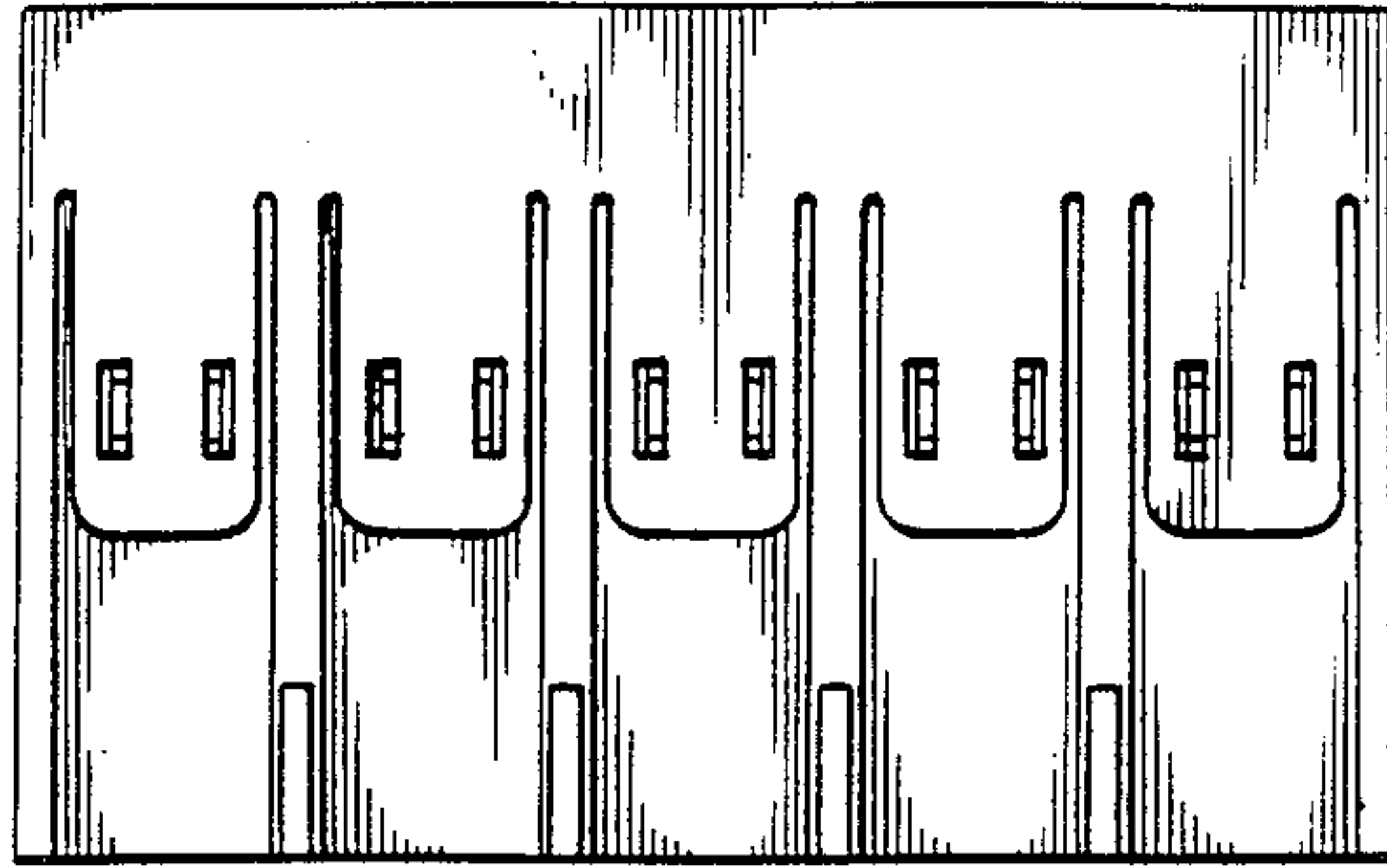


FIG 5

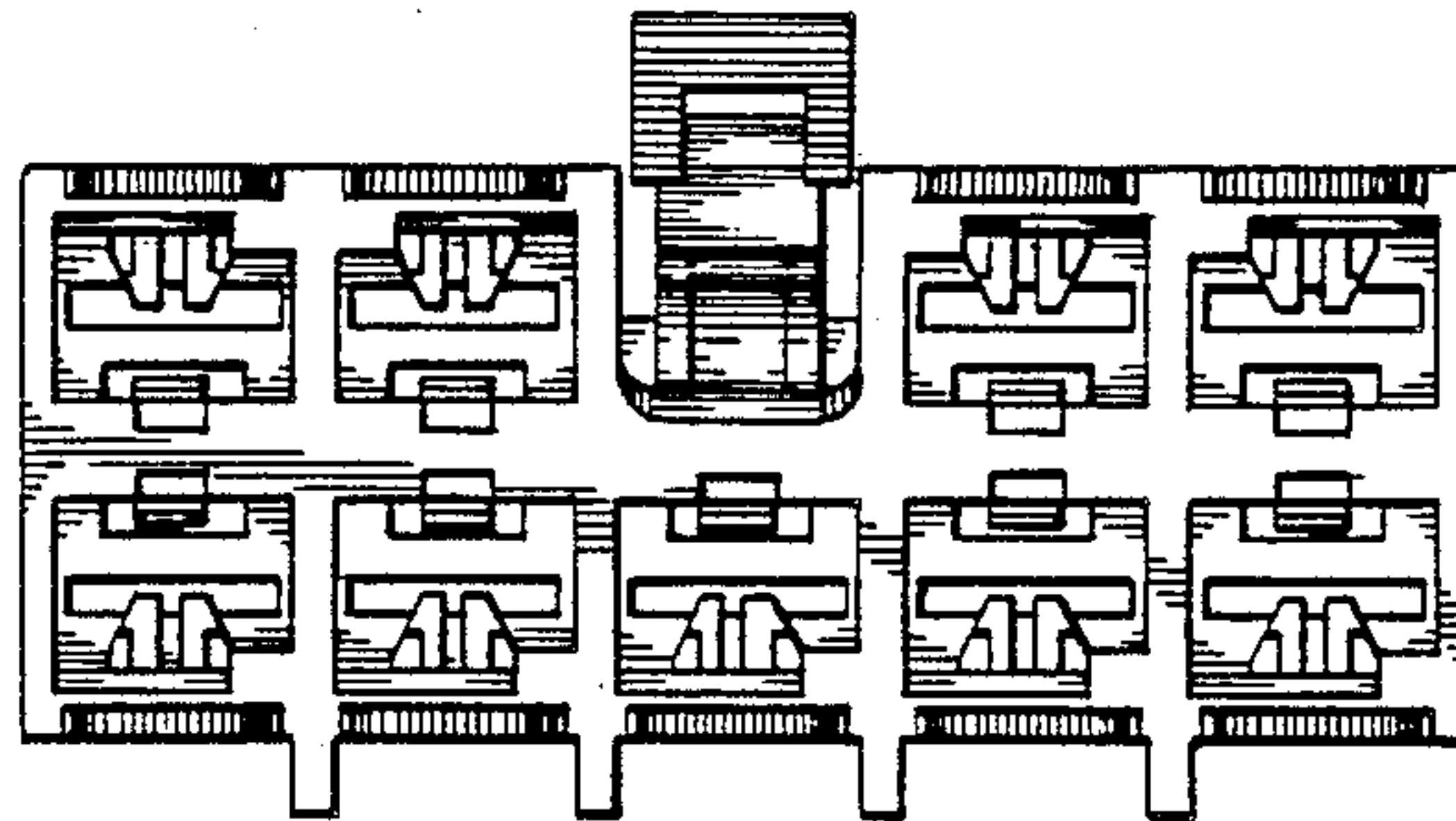


FIG 6

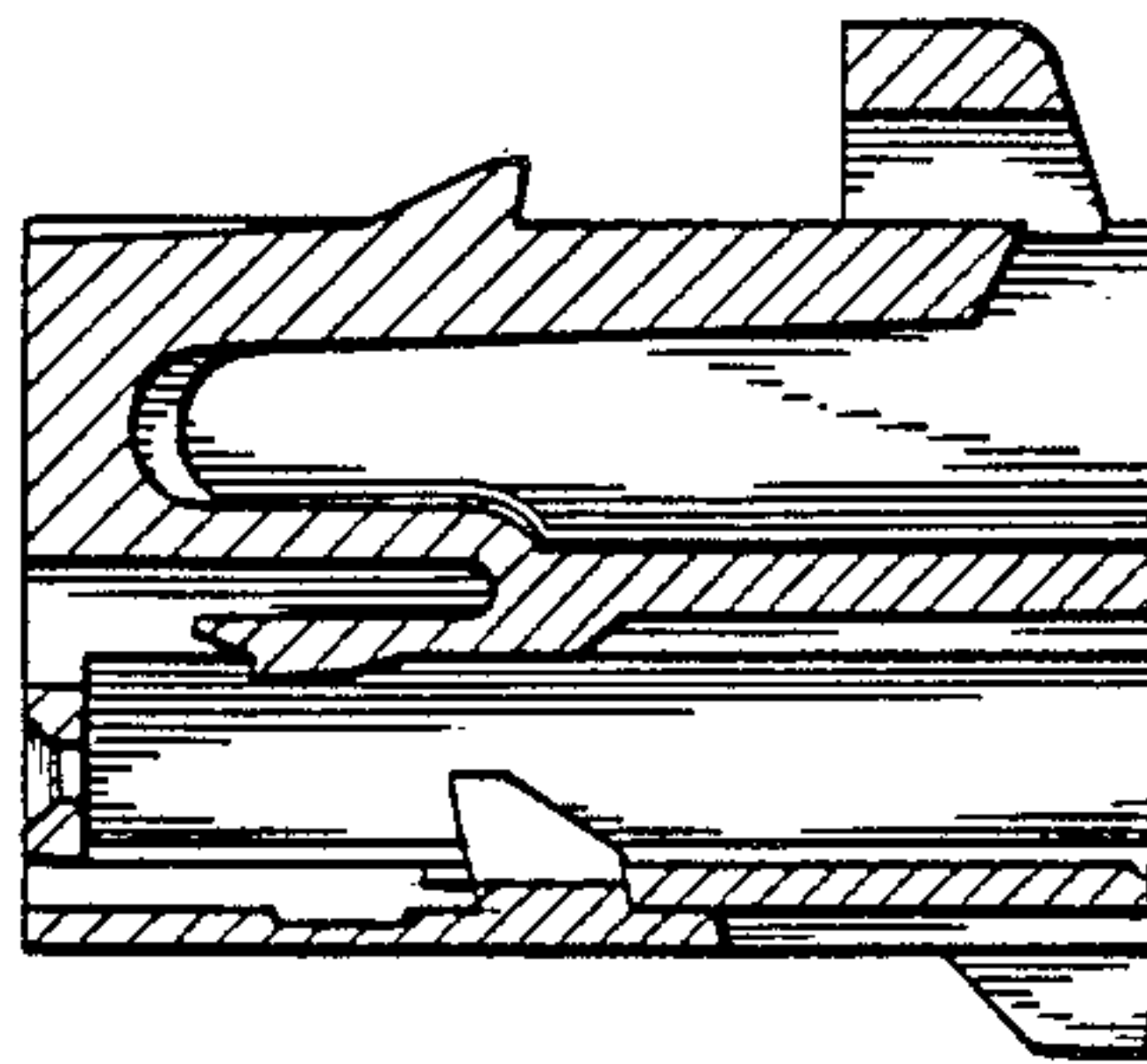


FIG 7