

[54] ELECTRICAL CONNECTOR ASSEMBLY

[75] Inventors: Tatsuya Oka, Age; Hideki Ogawa; Sho-Ichi Sugata, both of Suzuka, all of Japan

[73] Assignee: Sumitomo Wiring Systems, Ltd., Suzuka, Japan

[**] Term: 14 Years

[21] Appl. No.: 142,884

[22] Filed: Jan. 11, 1988

[30] Foreign Application Priority Data

Jul. 10, 1987 [JP] Japan 62-28170
Jul. 10, 1987 [JP] Japan 62-28171

[52] U.S. Cl. D13/133

[58] Field of Search D13/24, 30, 133, 136; 439/660, 682, 685, 350, 357, 586, 595

[56] References Cited

U.S. PATENT DOCUMENTS

D. 235,551 6/1975 Derr D13/24
D. 251,906 5/1979 Frantz et al. D13/24
4,655,527 4/1987 Vandame 439/350
4,711,508 12/1987 Sueyoshi 439/595
4,721,482 1/1988 Fukda et al. 439/586 X

Primary Examiner—Susan J. Lucas
Assistant Examiner—Joel Sincavage
Attorney, Agent, or Firm—Liddy Sullivan Galway
Begler & Peroff

[57] CLAIM

The ornamental design for an electrical connector assembly, as shown and described.

DESCRIPTION

FIG. 1 is a front perspective view of an electrical connector assembly showing our new design fully assembled;

FIG. 2 is a left side elevational view thereof, the right side elevational view being a mirror image;

FIG. 3 is a front elevational view thereof;

FIG. 4 is a rear elevational view thereof;

FIG. 5 is a top plan view thereof;

FIG. 6 is a bottom plan view thereof;

FIG. 7 is a front perspective view of an electrical connector assembly showing our new design with the male portion omitted for the purpose of a complete disclosure;

FIG. 8 is a left side elevational view thereof, the right side elevational view being a mirror image;

FIG. 9 is a front elevational view thereof;

FIG. 10 is a rear elevational view thereof;

FIG. 11 is a top plan view thereof;

FIG. 12 is a bottom plan view thereof;

FIG. 13 is a front perspective view of an electrical connector assembly showing our new design with the female portion omitted for the purpose of a complete disclosure;

FIG. 14 is a left side elevational view thereof, the right side elevational view being a mirror image;

FIG. 15 is a front elevational view thereof;

FIG. 16 is a rear elevational view thereof;

FIG. 17 is a top plan view thereof;

FIG. 18 is a bottom plan view thereof.

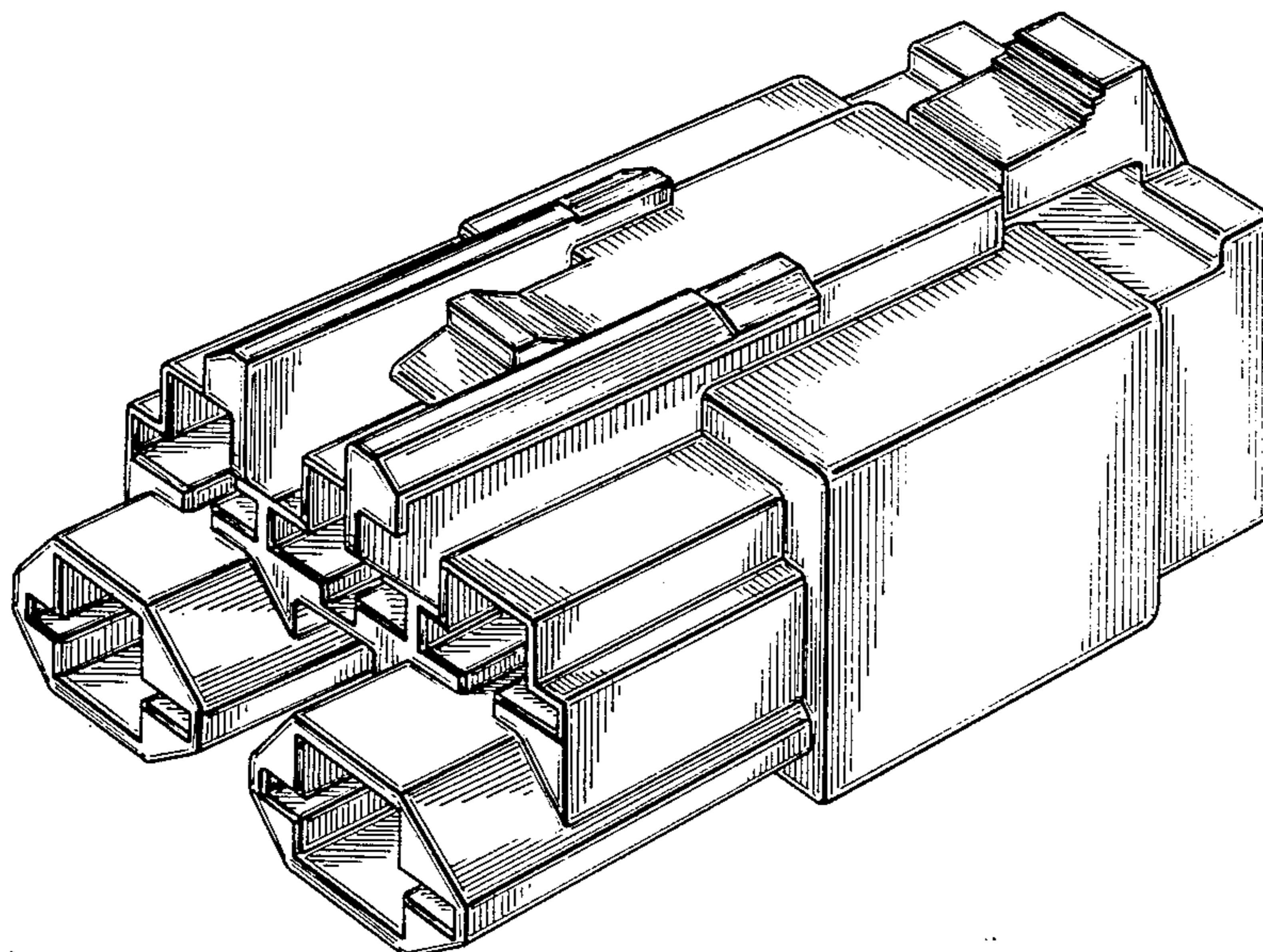


FIG. 1

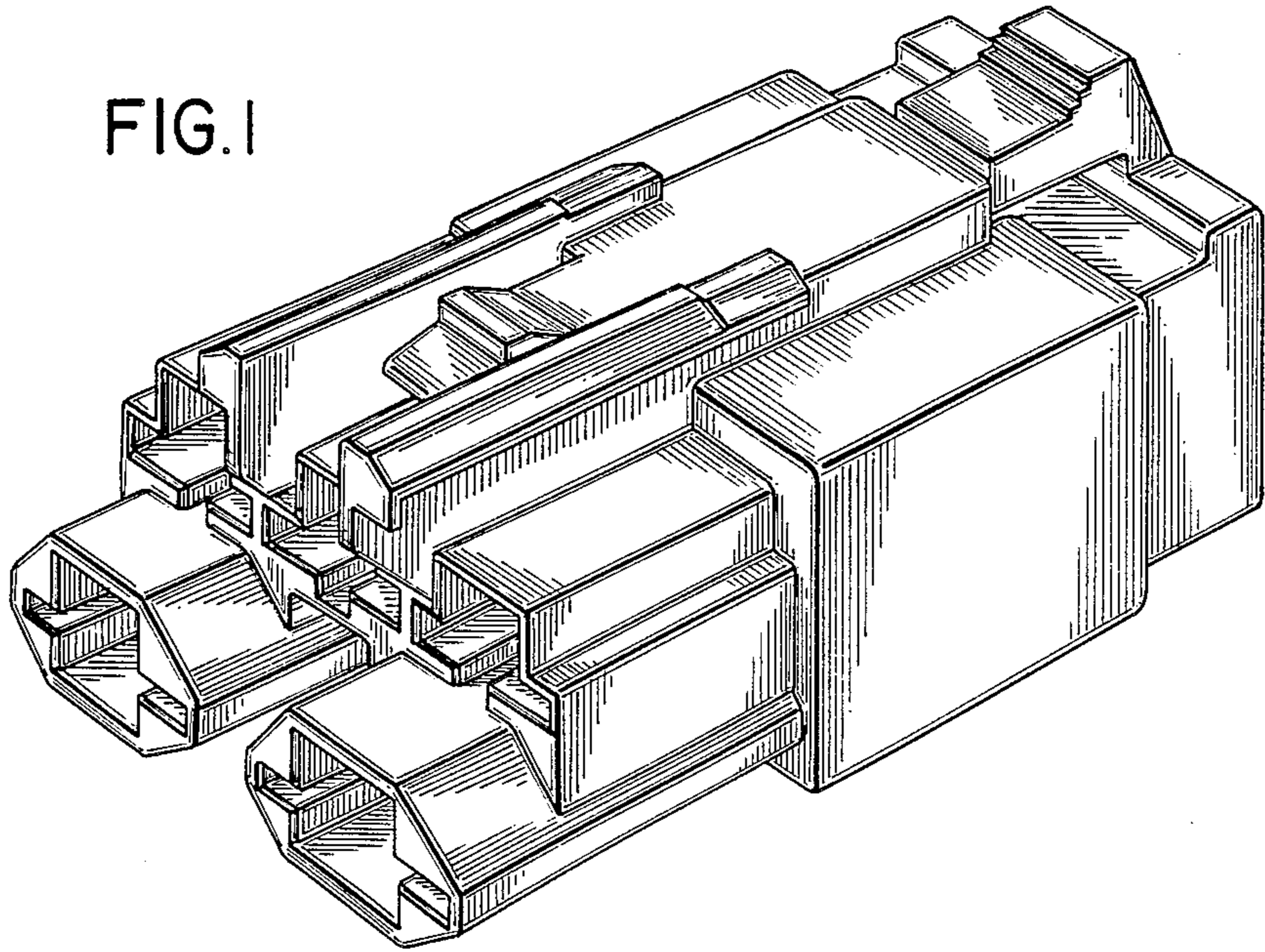


FIG. 2

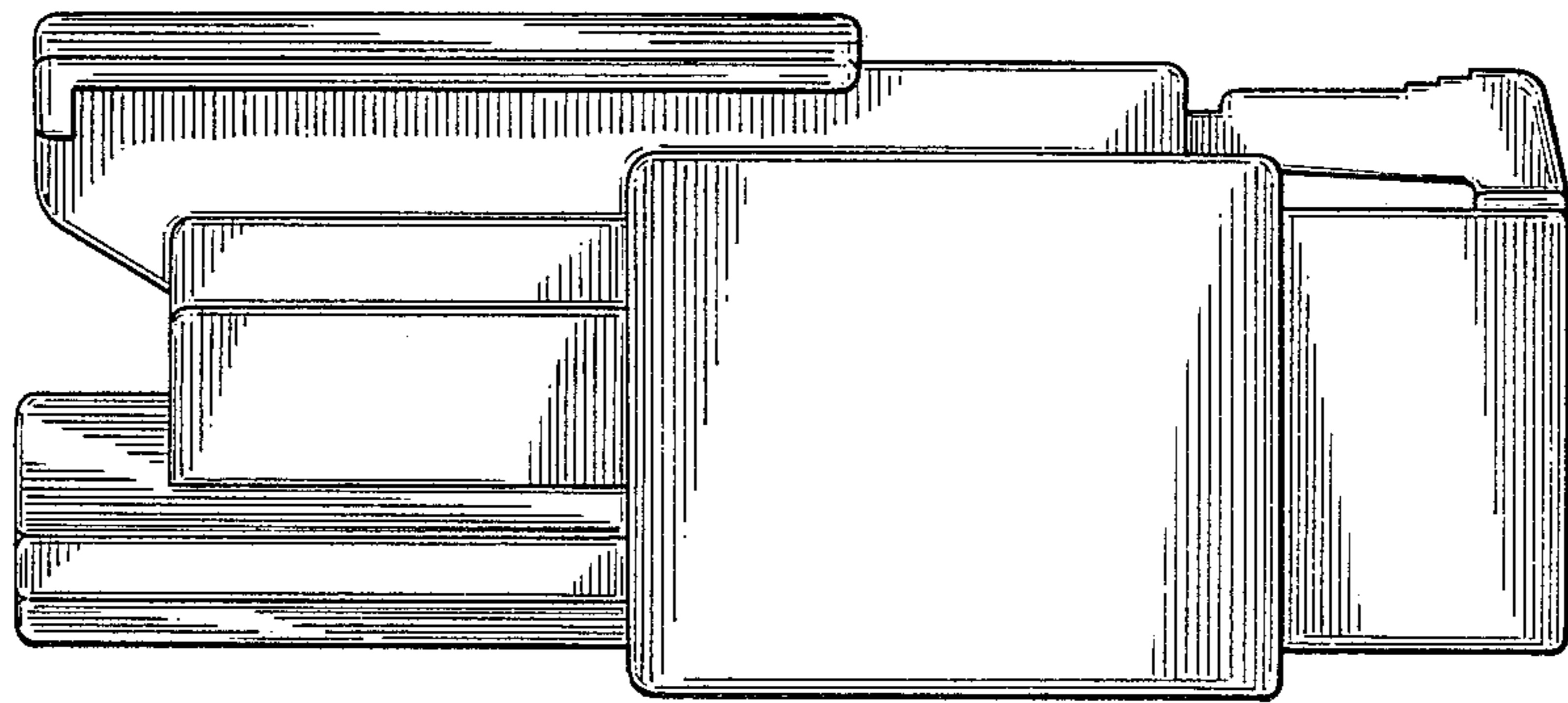


FIG. 3

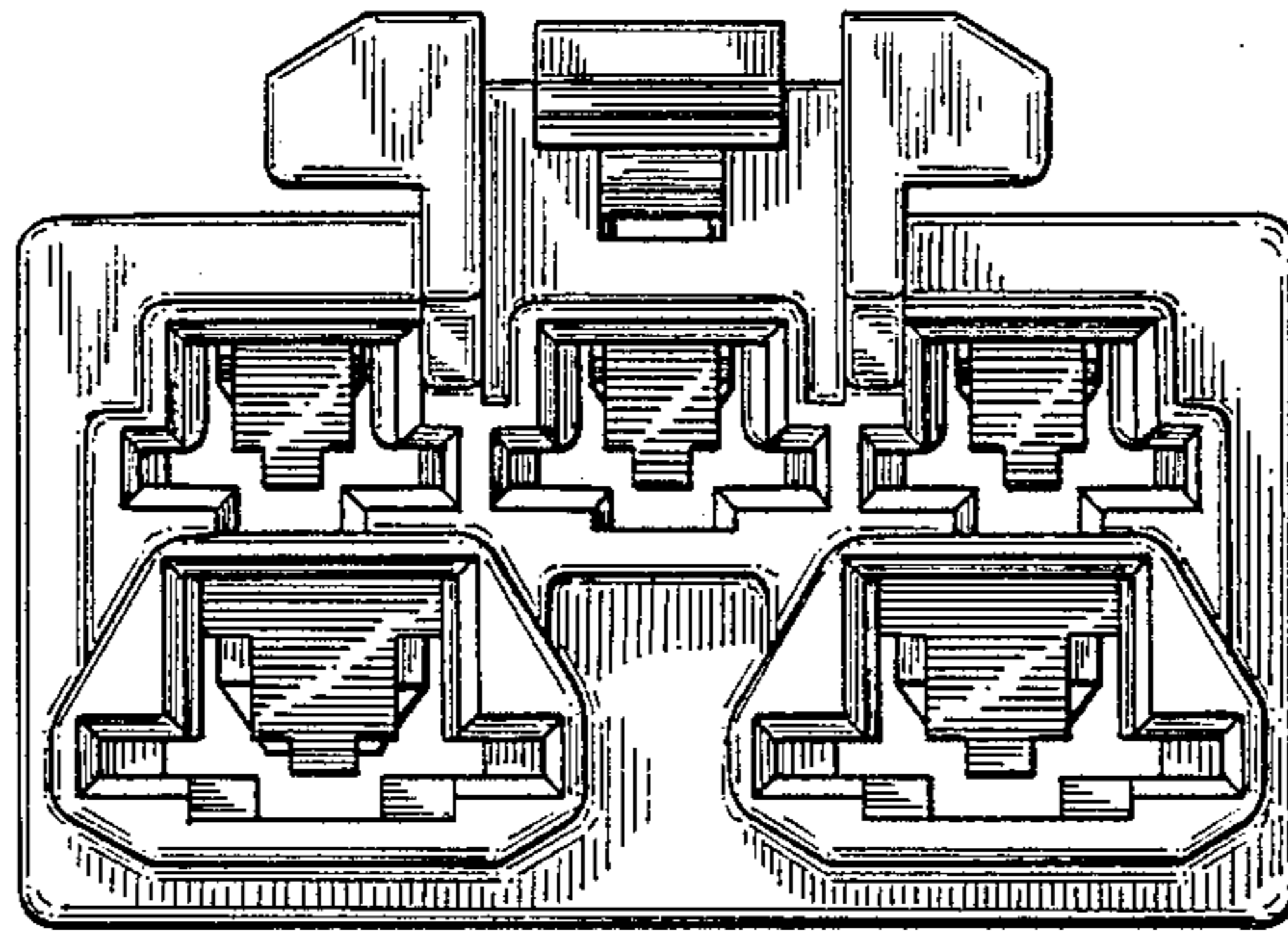


FIG. 4

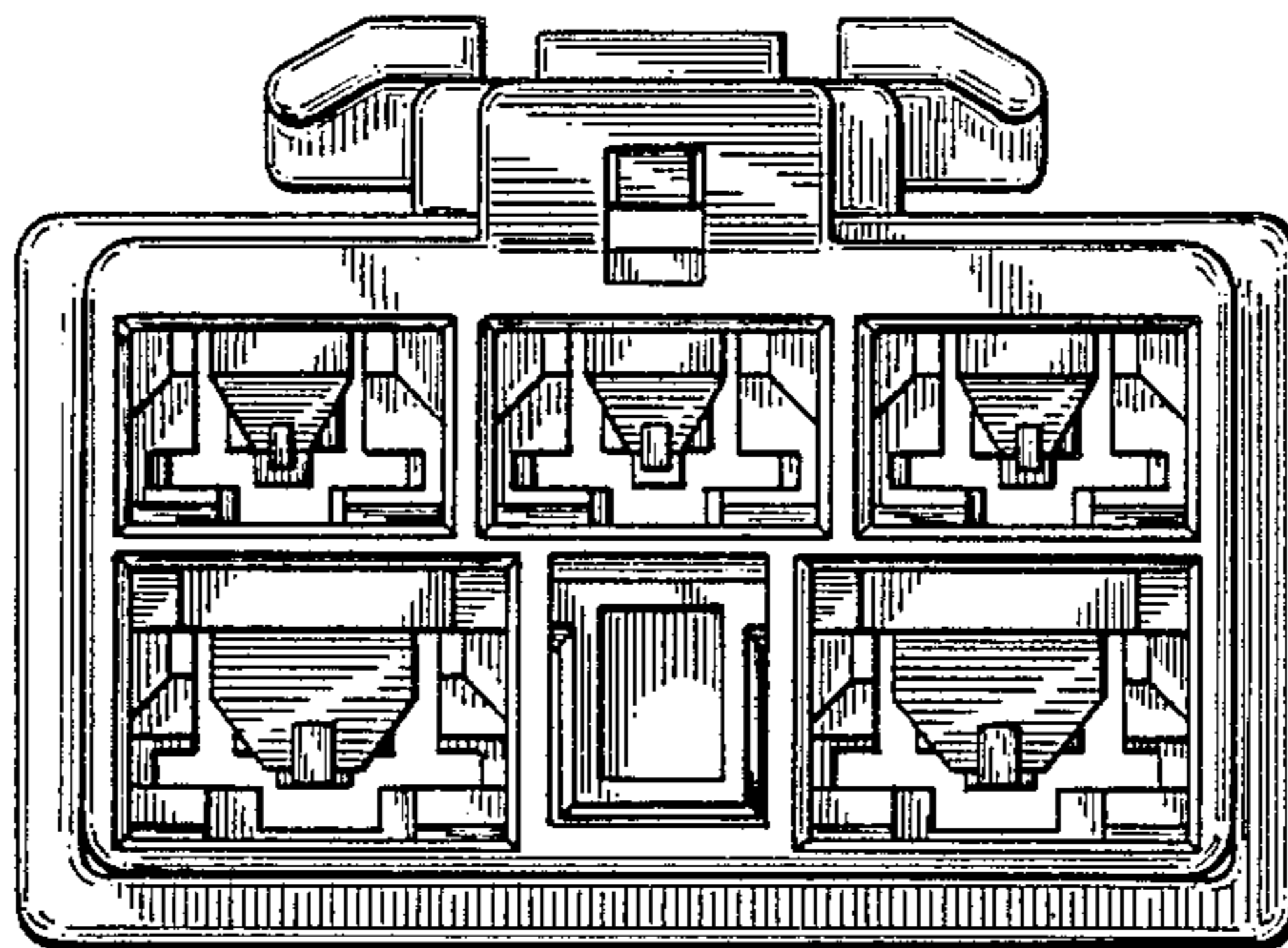


FIG. 5

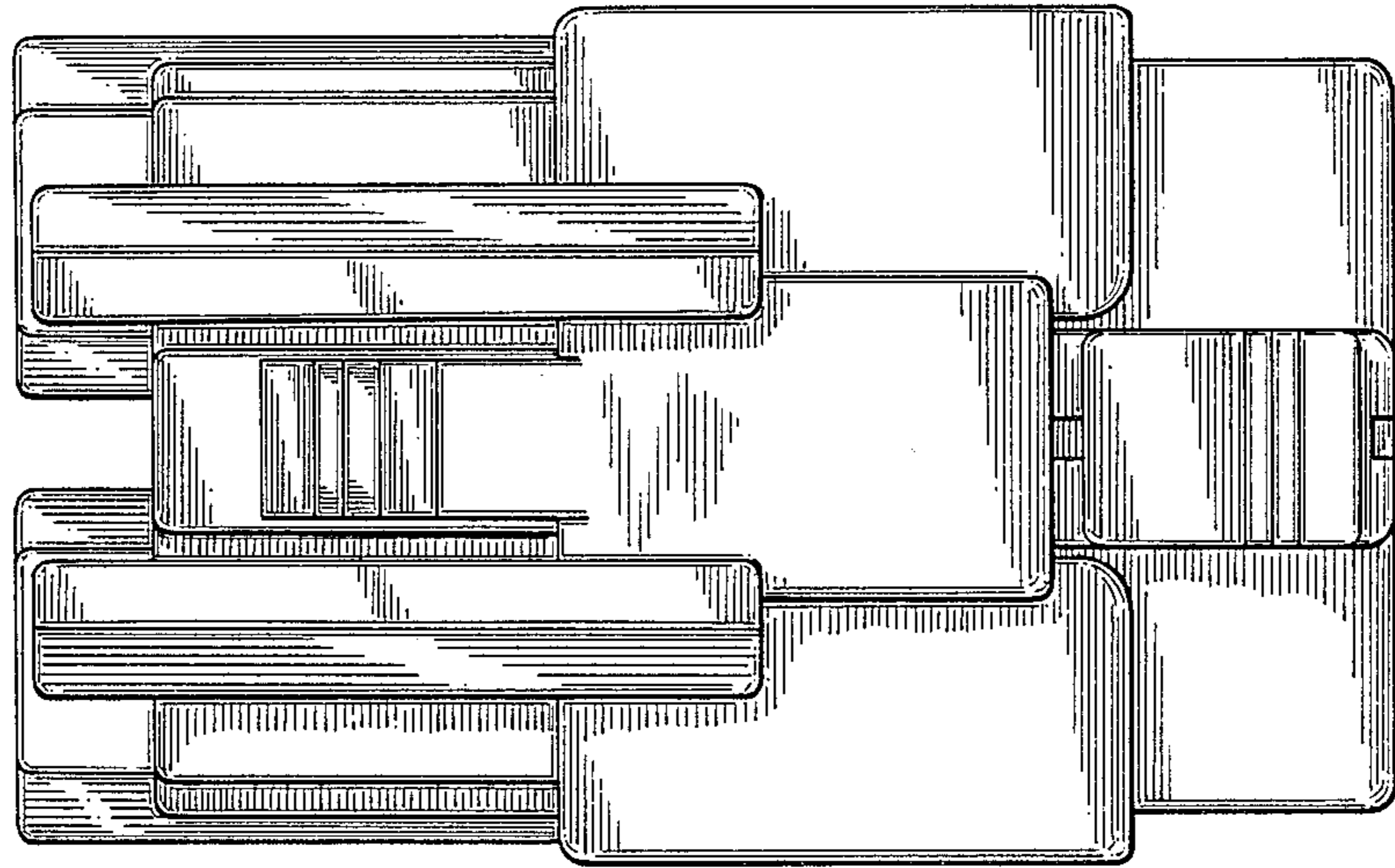


FIG. 6

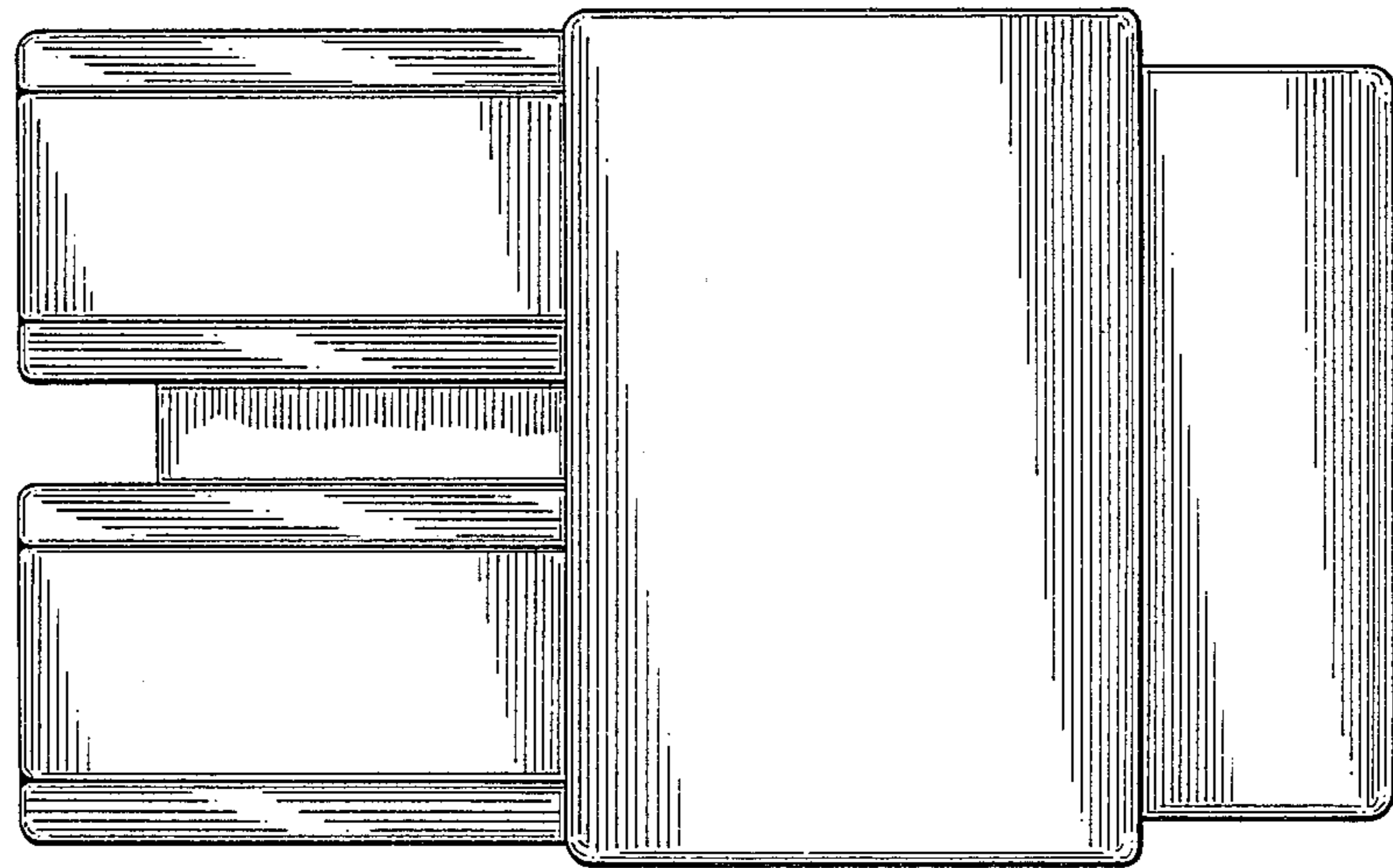


FIG. 7

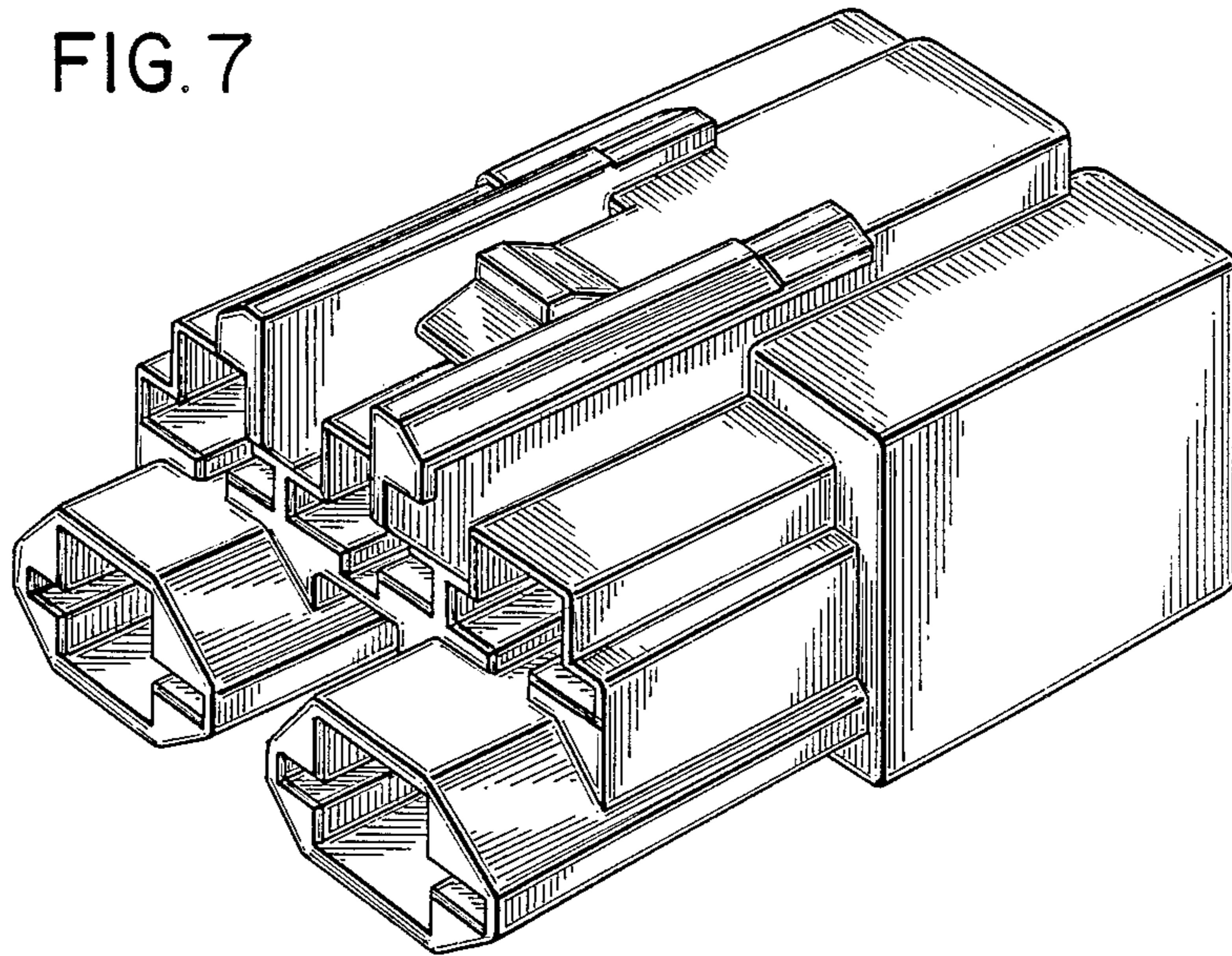


FIG. 8

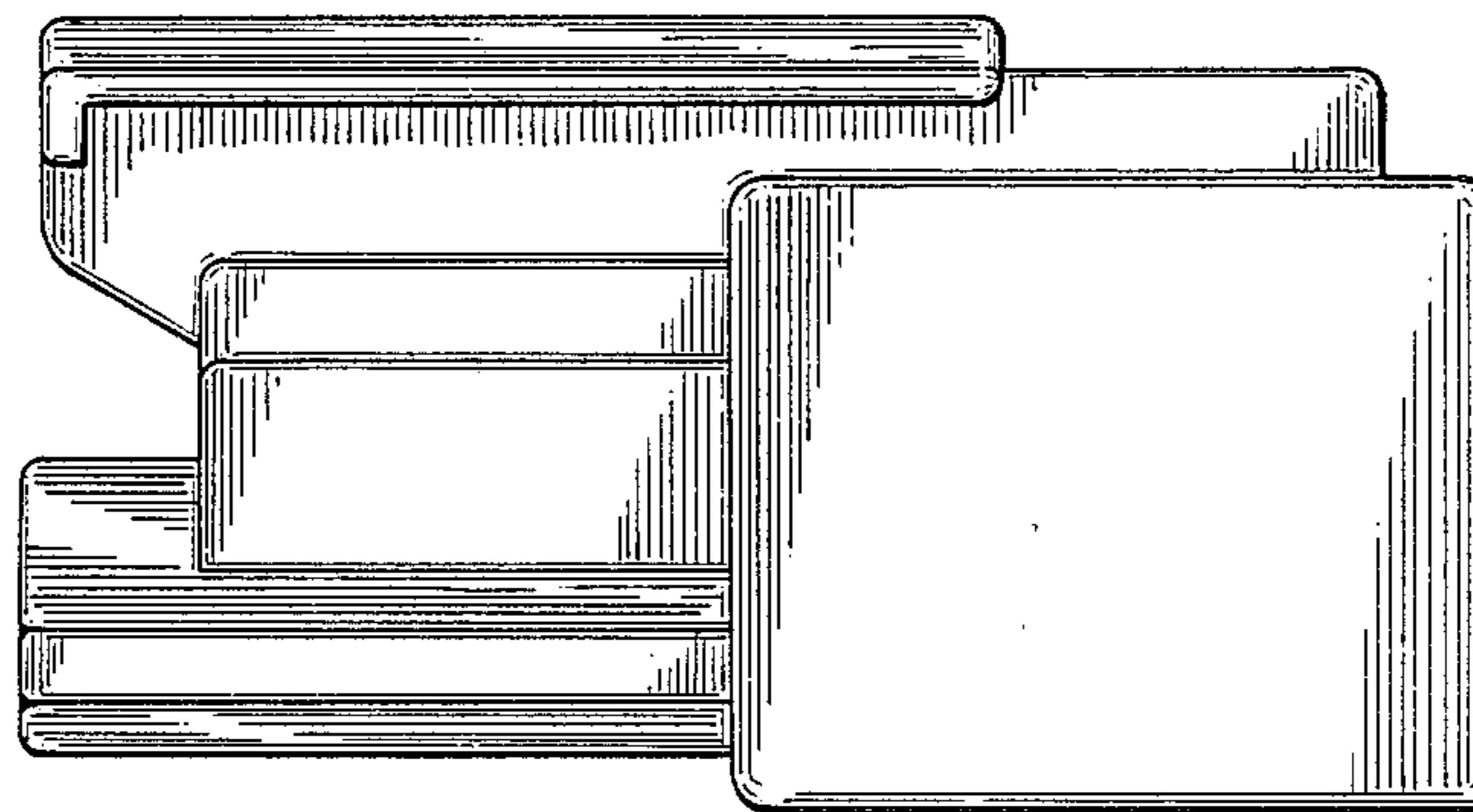


FIG. 9

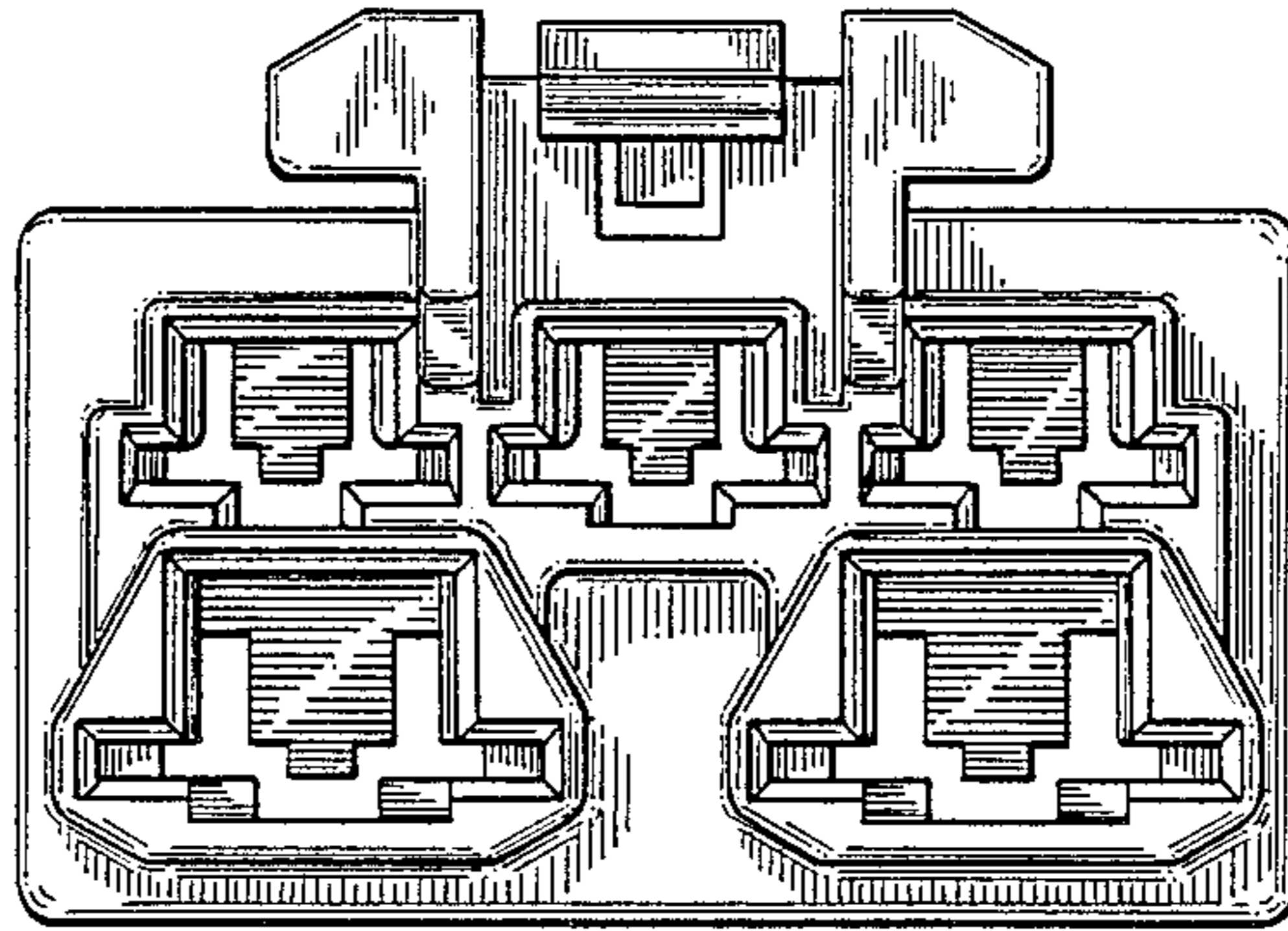


FIG. 10

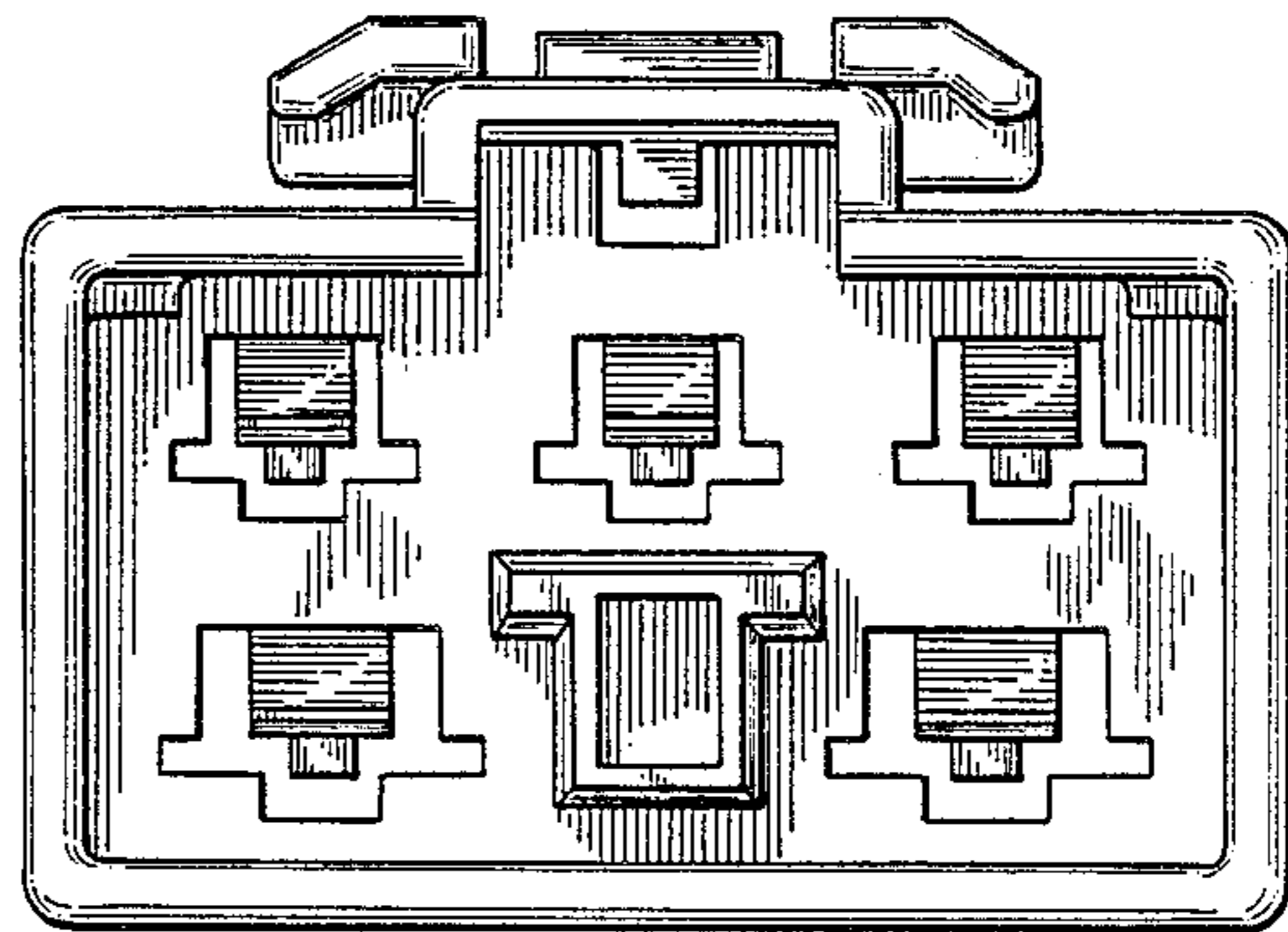


FIG. 11

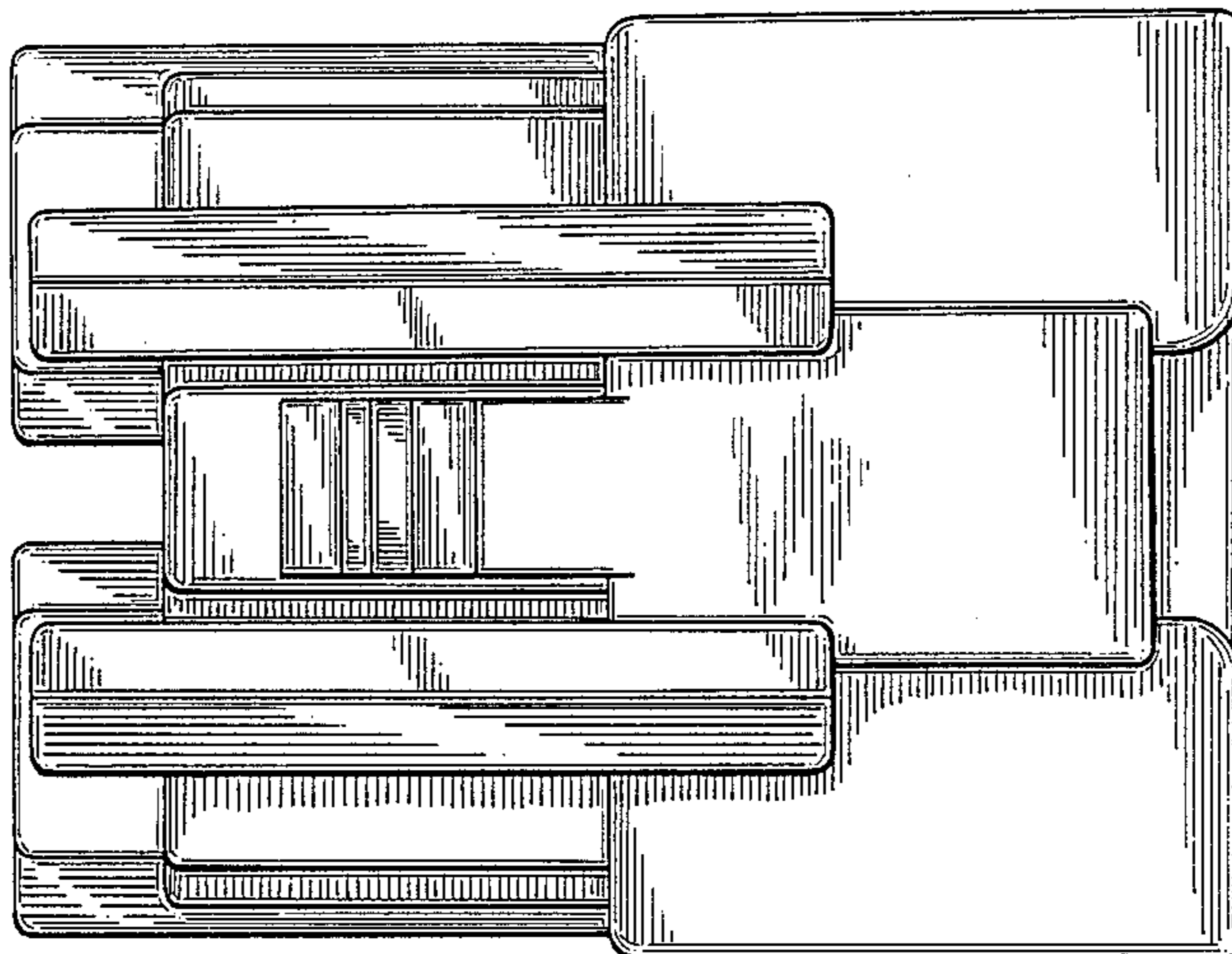


FIG. 12

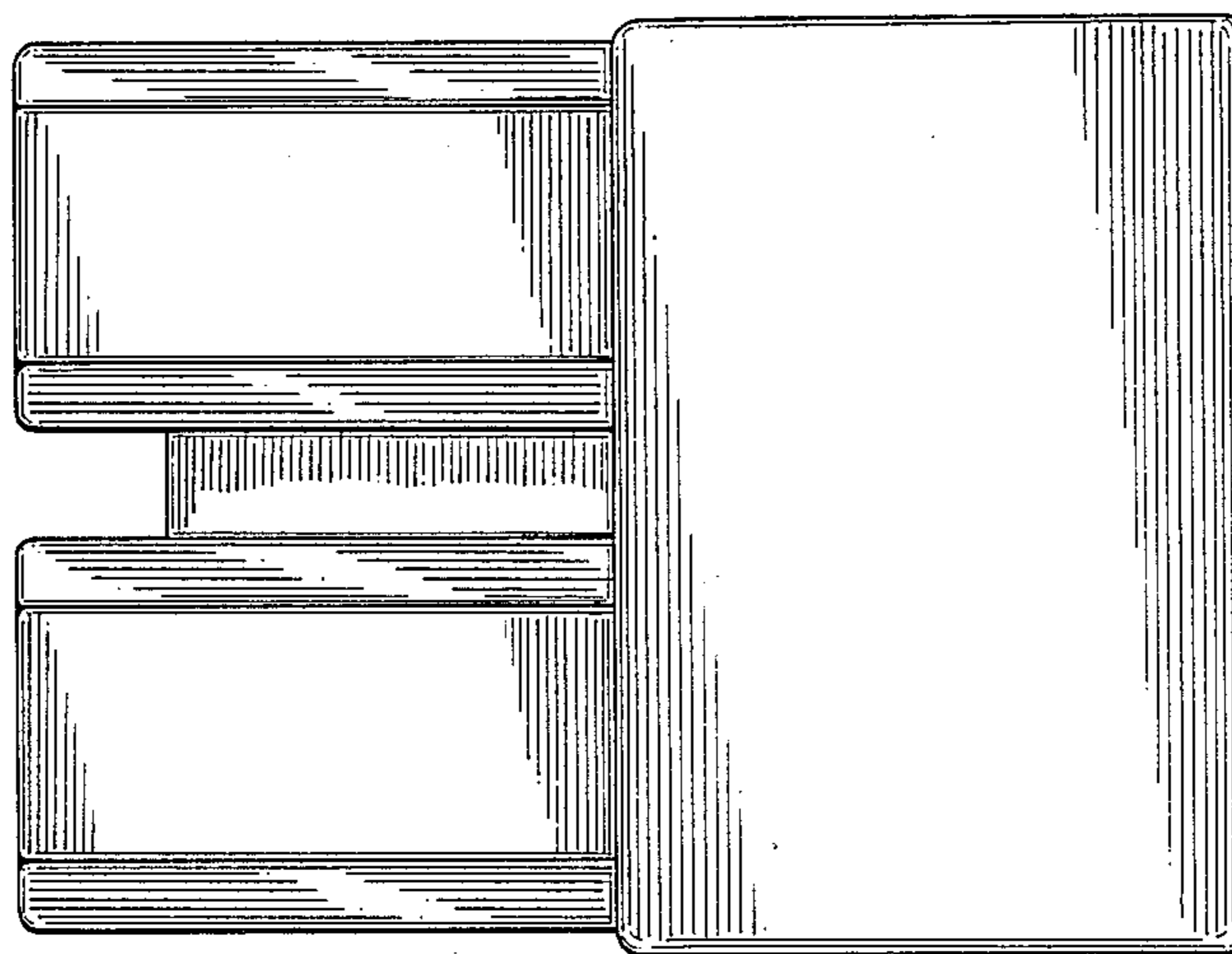


FIG. 13

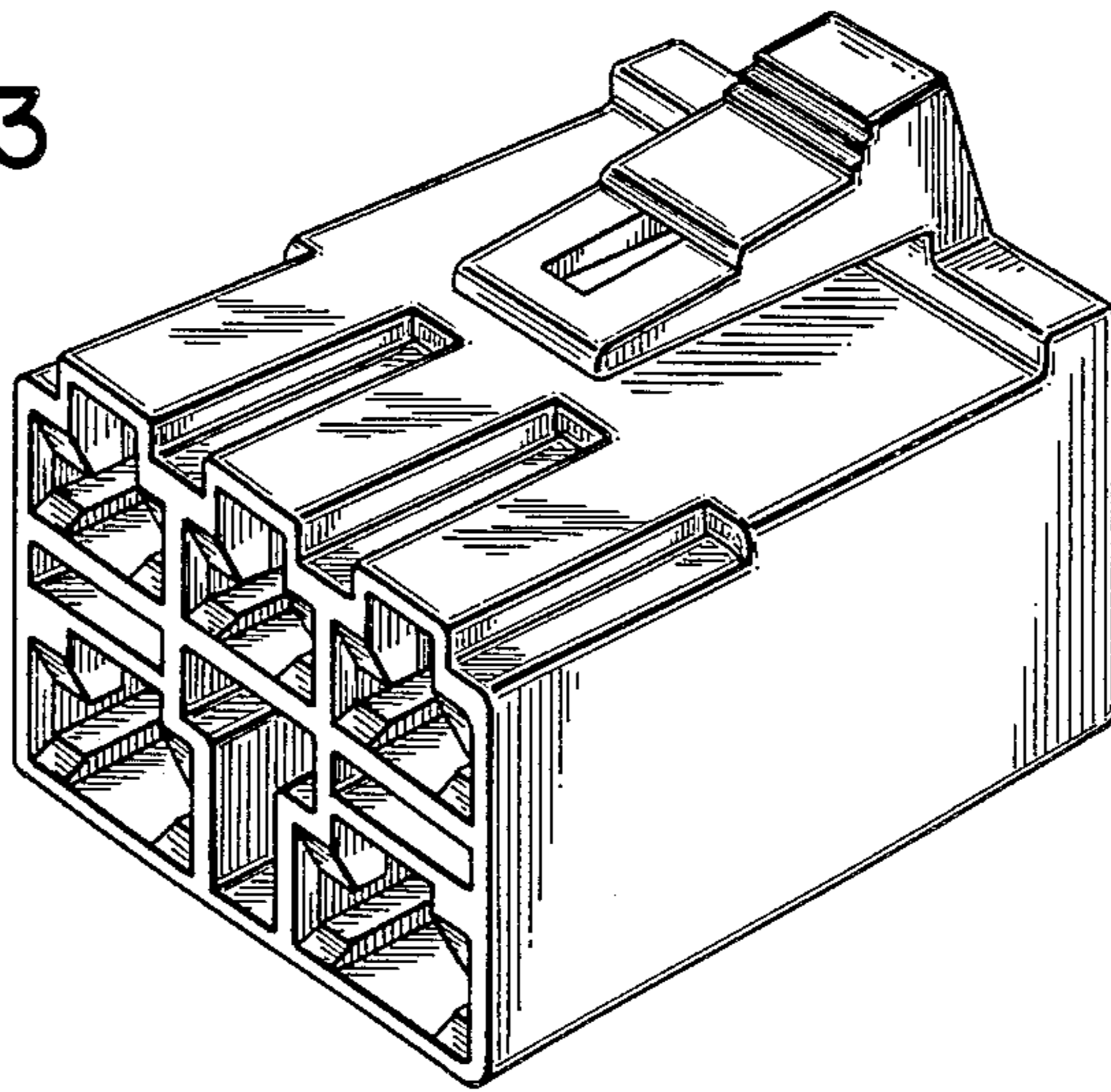


FIG. 14

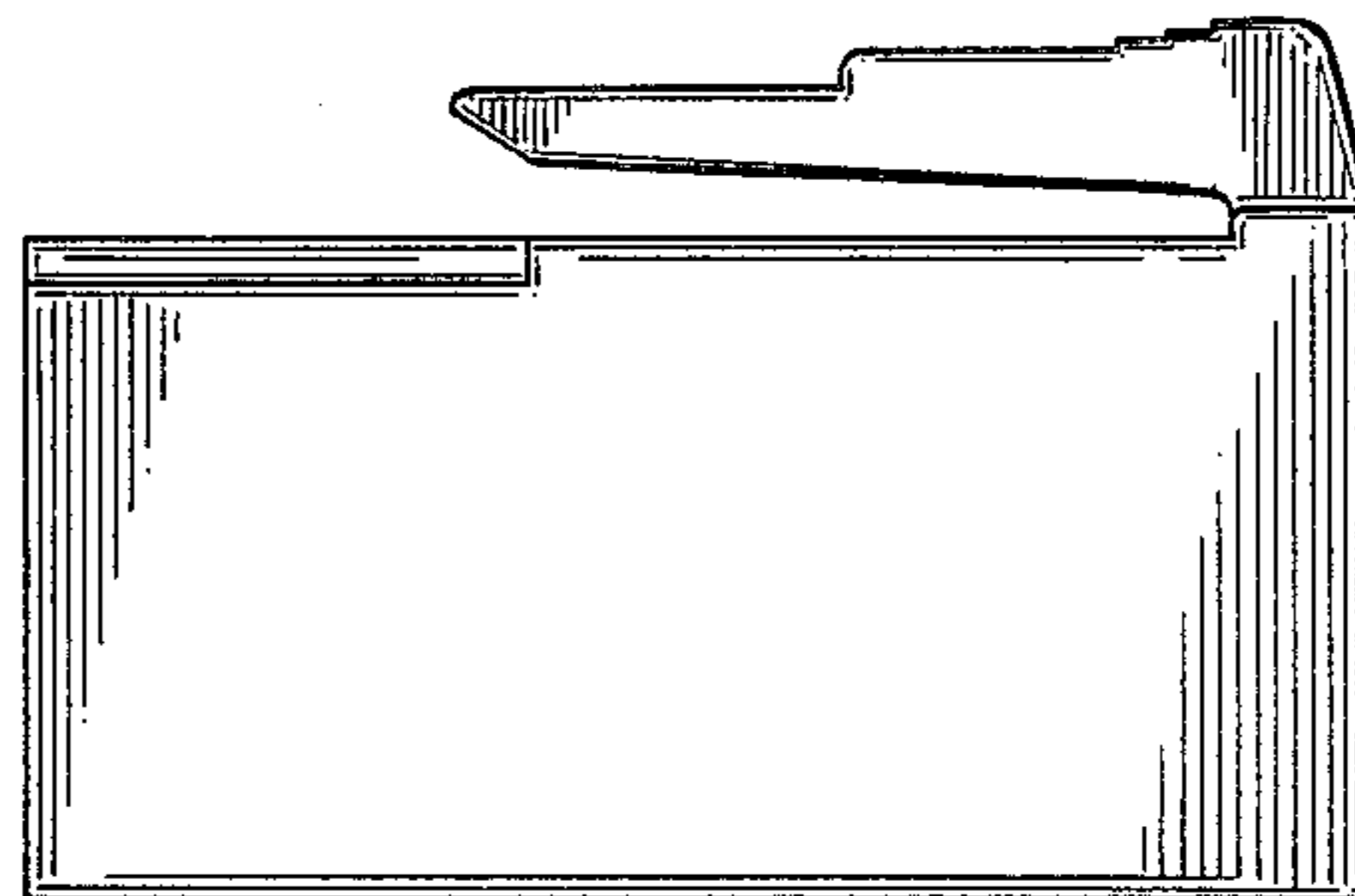


FIG. 15

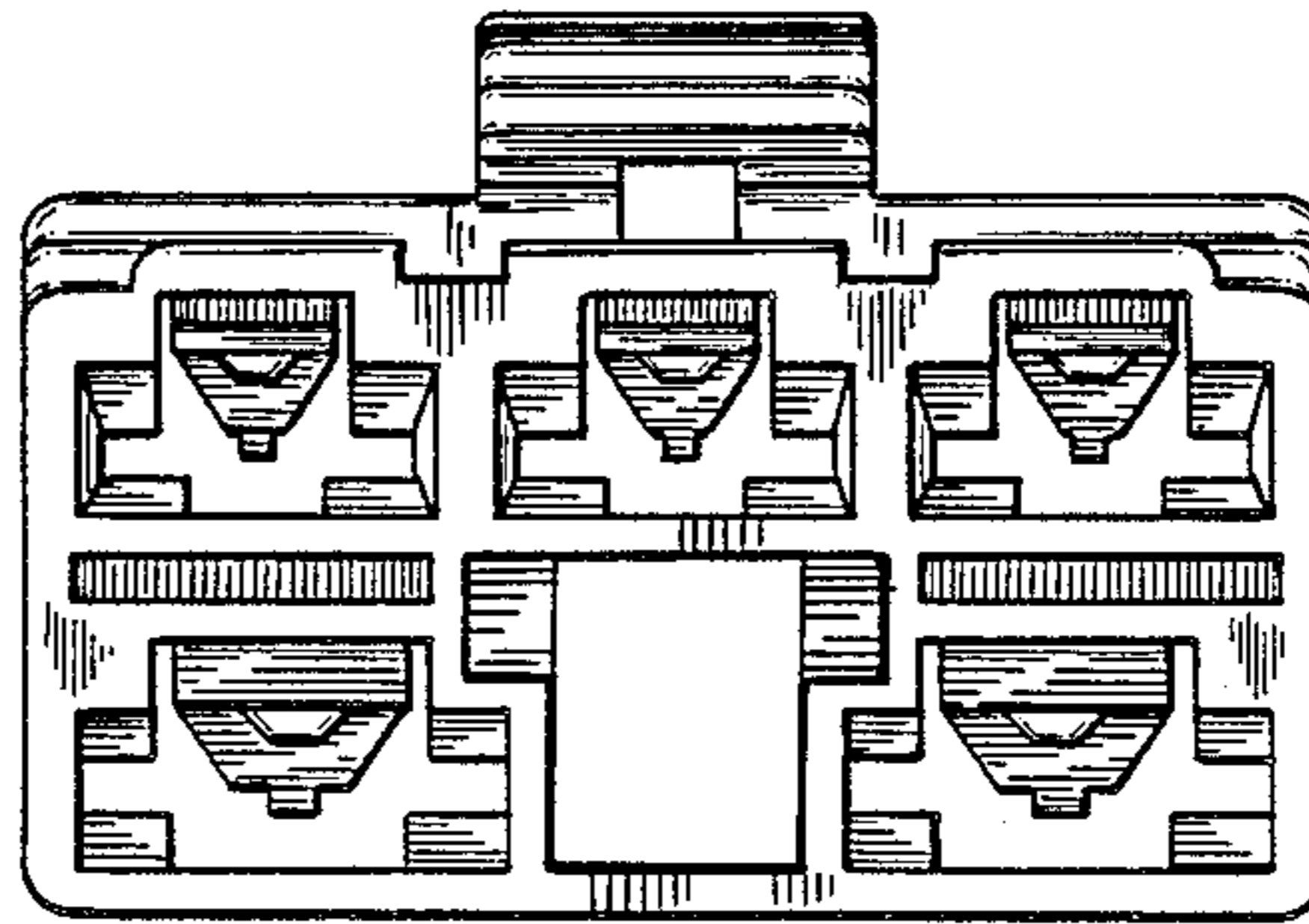


FIG. 16

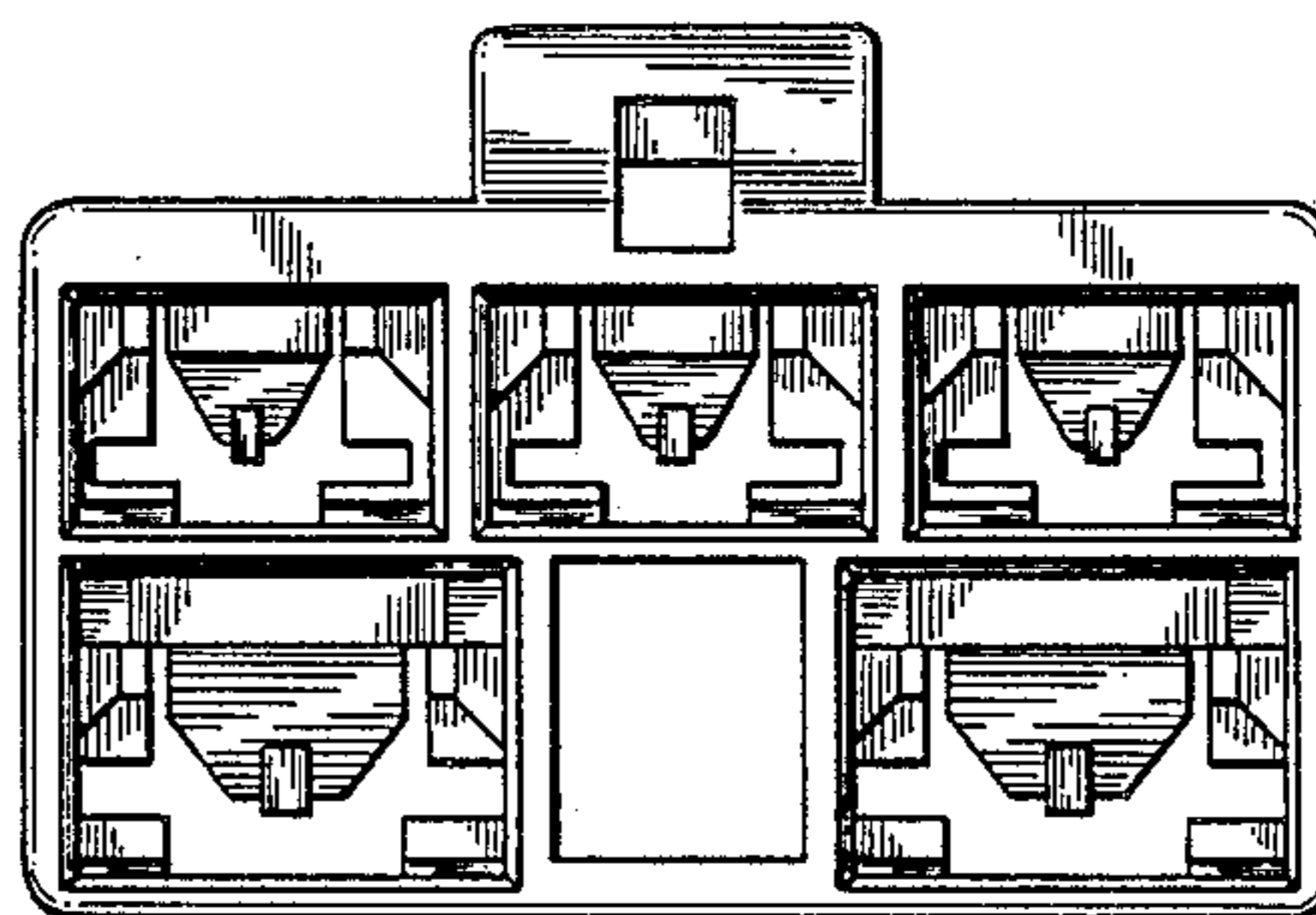


FIG.17

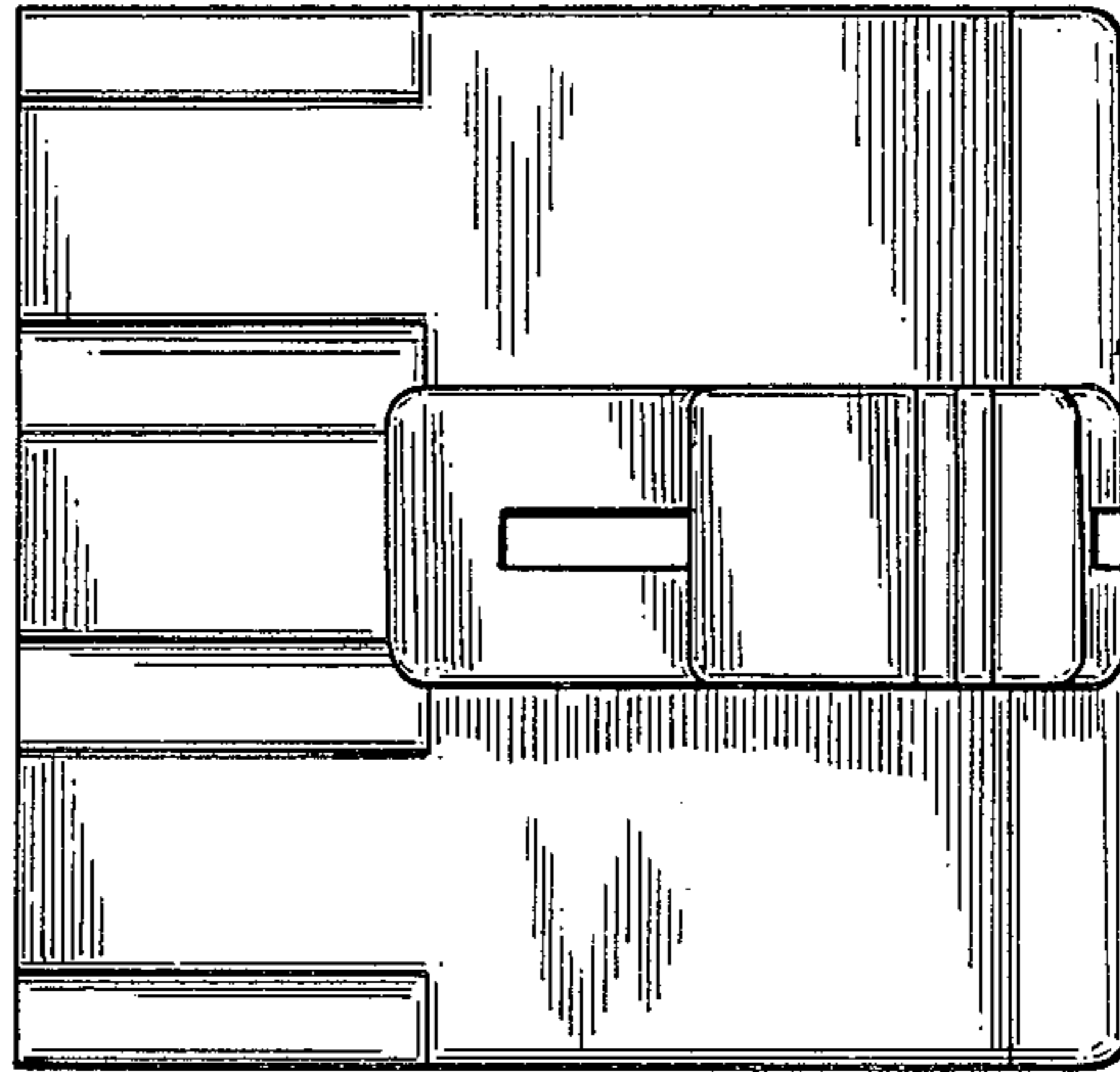


FIG.18

