

[54] HOUSING FOR AN ELECTRICAL CONNECTOR

[75] Inventors: Takayuki Yamamoto, Kosai Sakae Tsukamoto, Shimada, both of Japan

[73] Assignee: Yazaki Corporation, Japan

[**] Term: 14 Years

[21] Appl. No.: 140,743

[22] Filed: Jan. 4, 1988

[30] Foreign Application Priority Data

Jul. 3, 1987 [JP] Japan 62-26912

[52] U.S. Cl. D13/133

[58] Field of Search D13/24, 30; 439/660, 439/682, 685, 353, 544, 592, 600, 701

[56] References Cited

U.S. PATENT DOCUMENTS

- 4,697,863 10/1987 Galloway et al. 439/544
- 4,708,662 11/1987 Klein 439/353
- 4,772,231 4/1988 Hayes 439/600

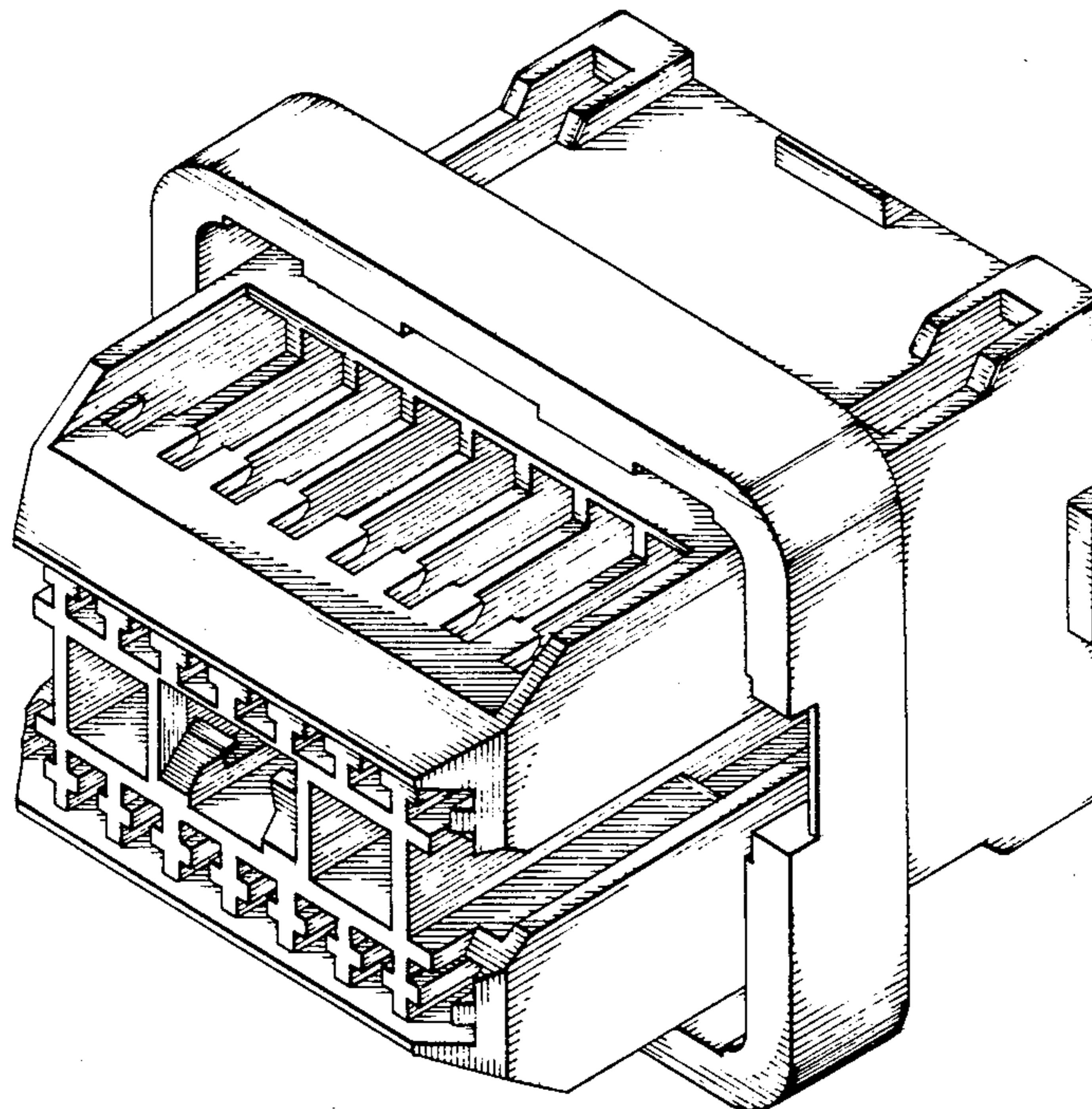
Primary Examiner—Susan J. Lucas
Assistant Examiner—Joel Sincavage
Attorney, Agent, or Firm—Jones, Askew & Lunsford

[57] CLAIM

The ornamental design for a housing for an electrical connector, as shown and described.

DESCRIPTION

FIG. 1 is a perspective view of a housing for an electrical connector showing our new design;
 FIG. 2 is a top plan view thereof;
 FIG. 3 is a front elevation view thereof;
 FIG. 4 is a bottom plan view thereof;
 FIG. 5 is a rear elevation view thereof;
 FIG. 6 is a right elevation view thereof, the left being a mirror image;
 FIG. 7 is a section view thereof taken on line 7—7 of FIG. 3;
 FIG. 8 is a section view thereof taken on line 8—8 of FIG. 3;
 FIG. 9 is a section view thereof taken on line 9—9 of FIG. 3.



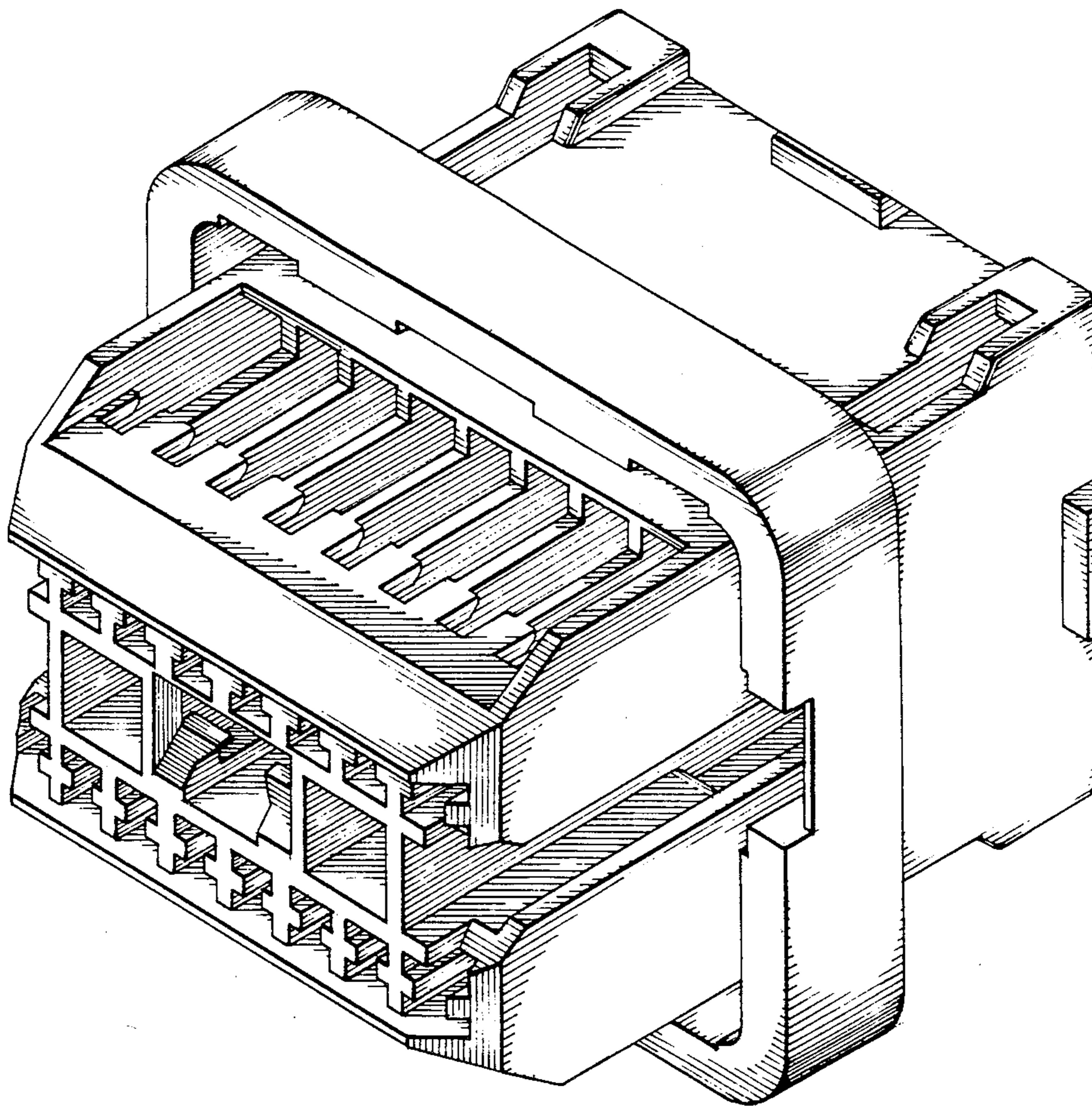


FIG 1

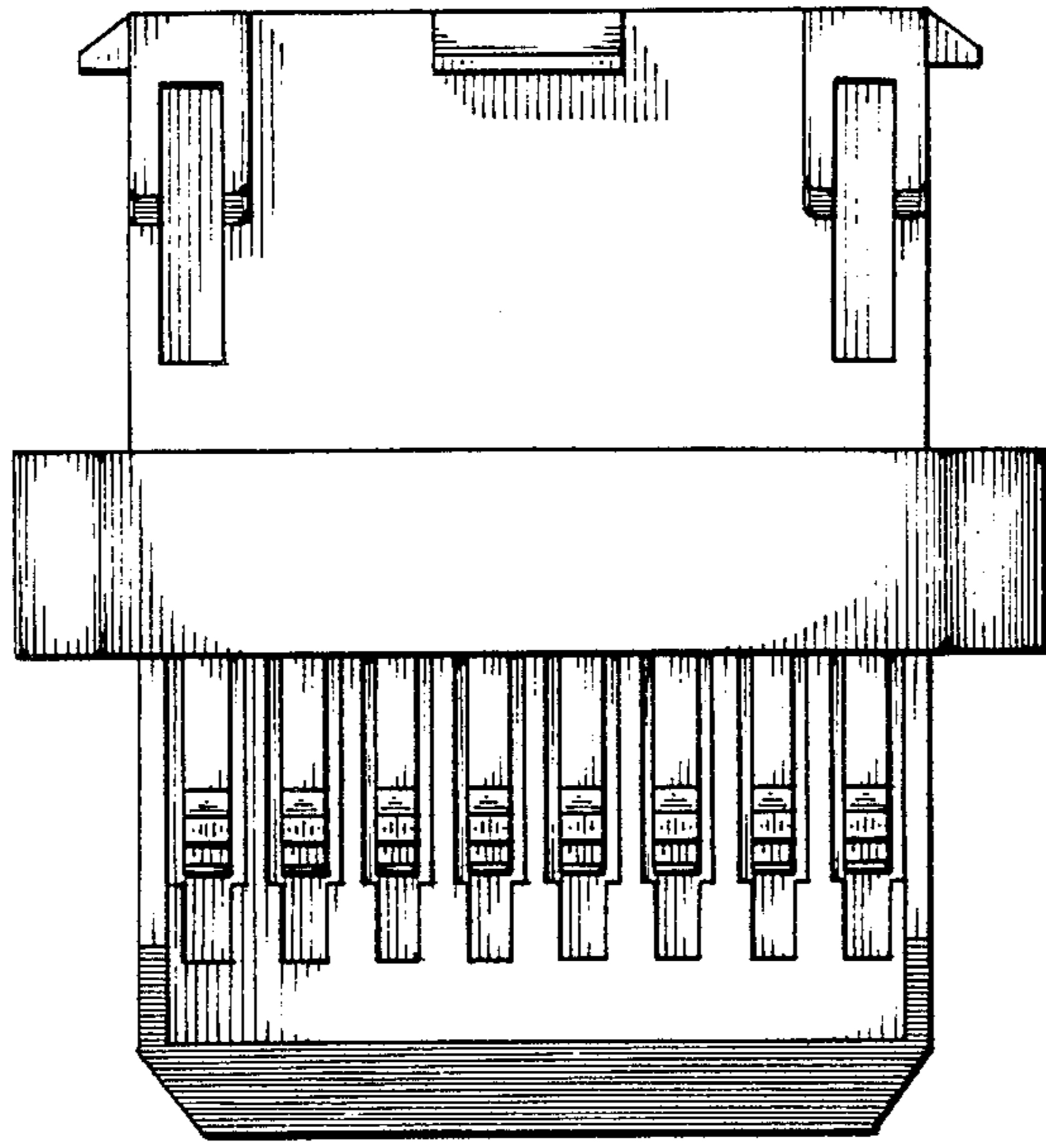


FIG 2

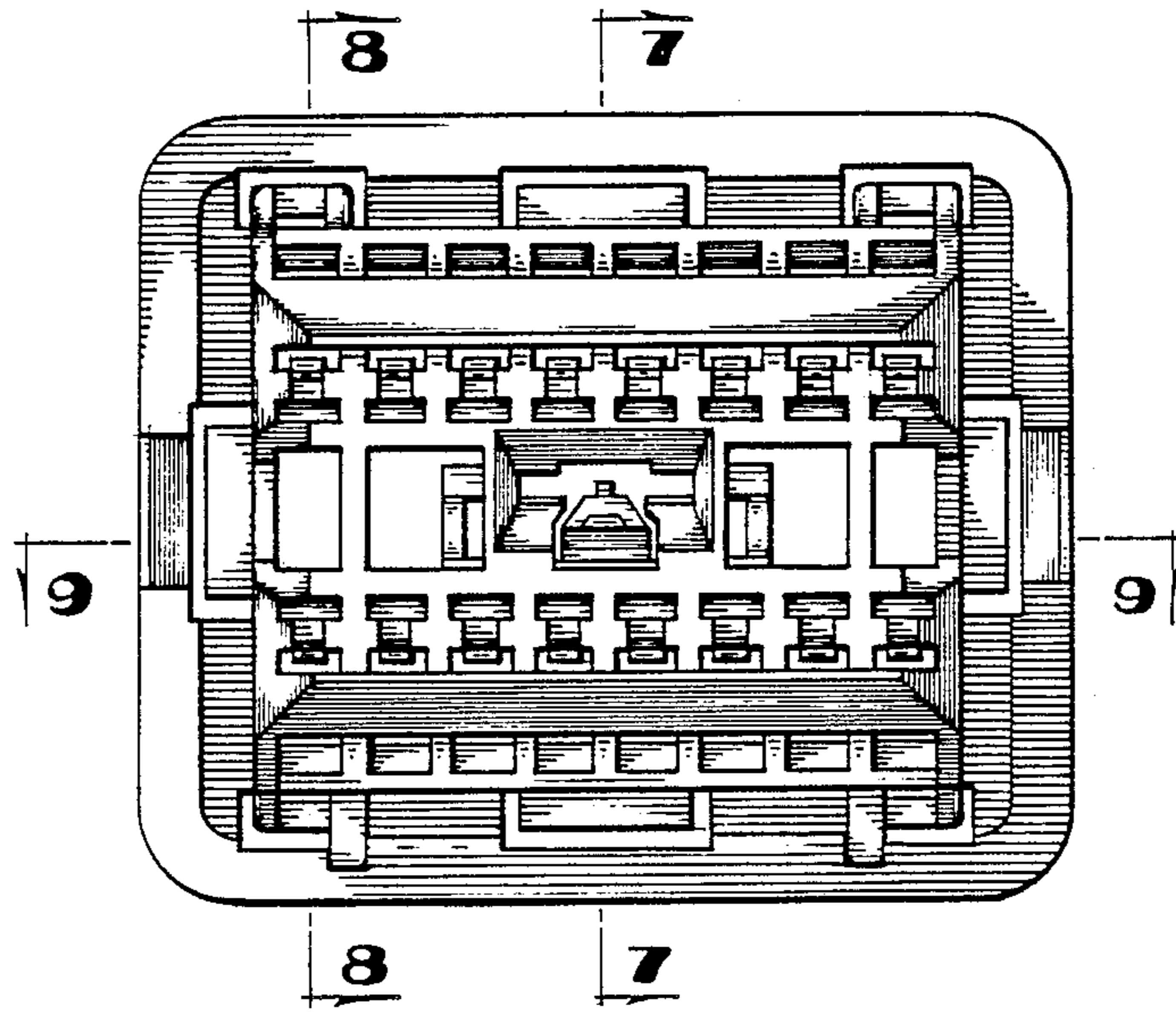


FIG 3

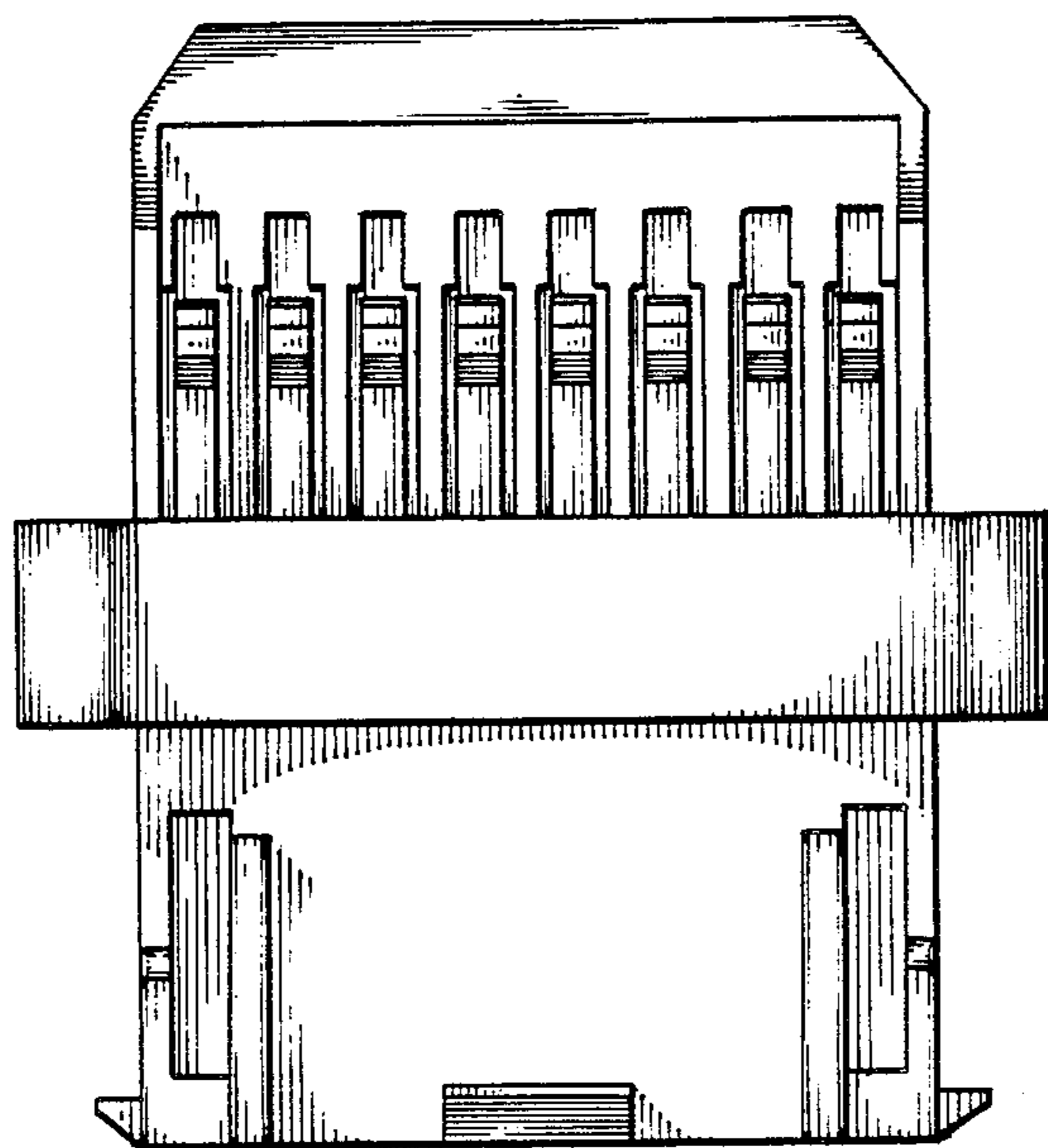


FIG 4

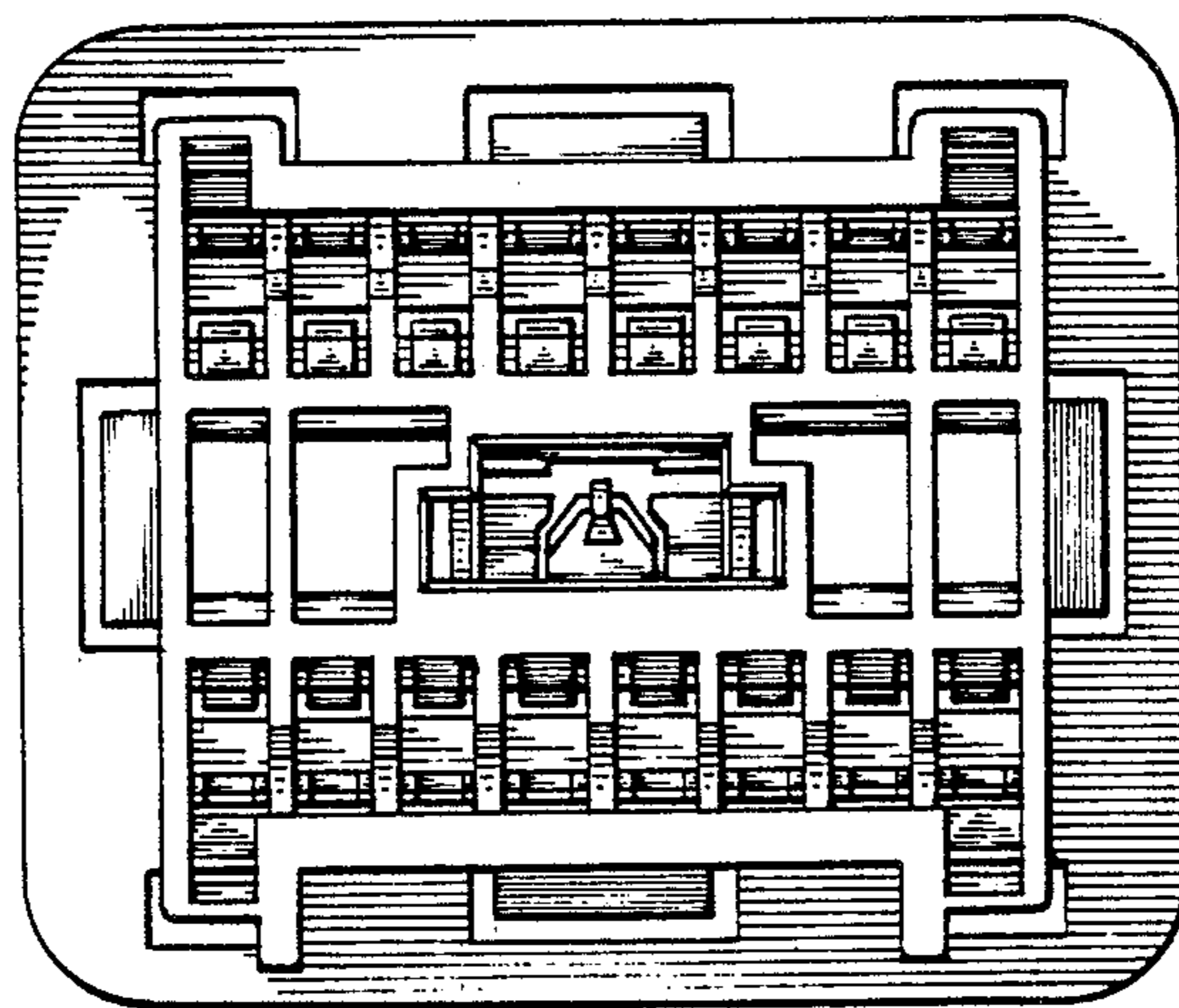


FIG 5

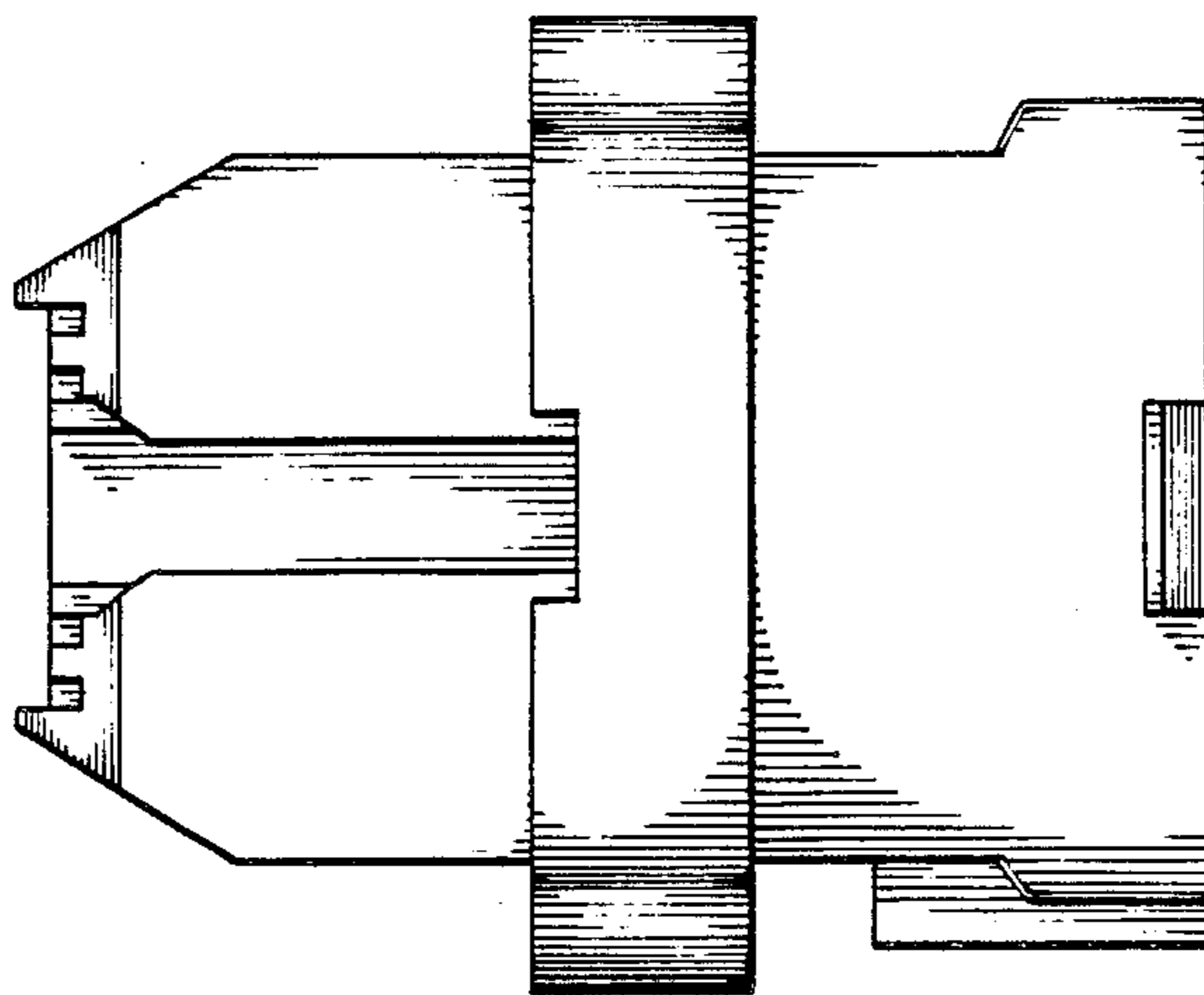


FIG 6

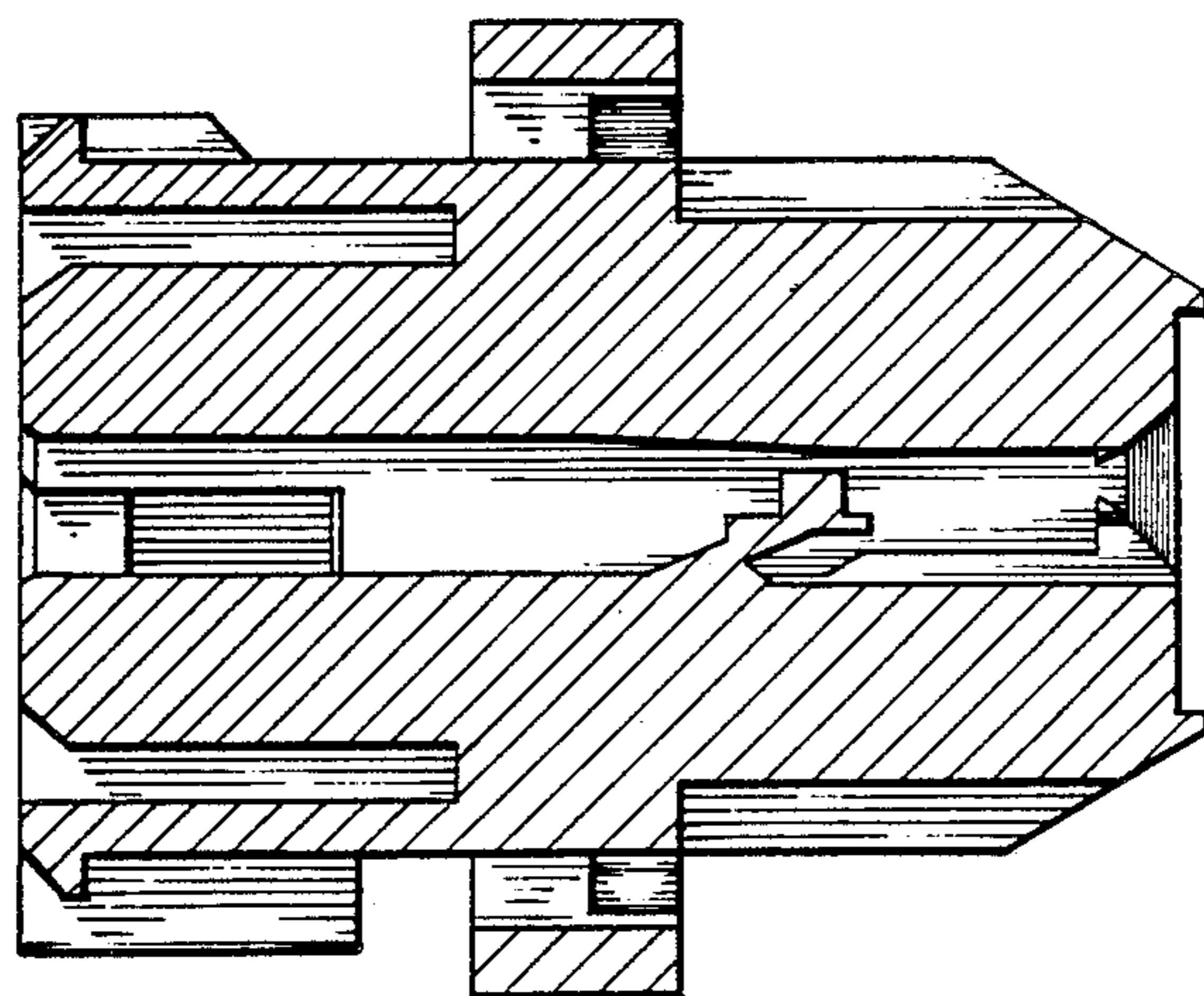


FIG 7

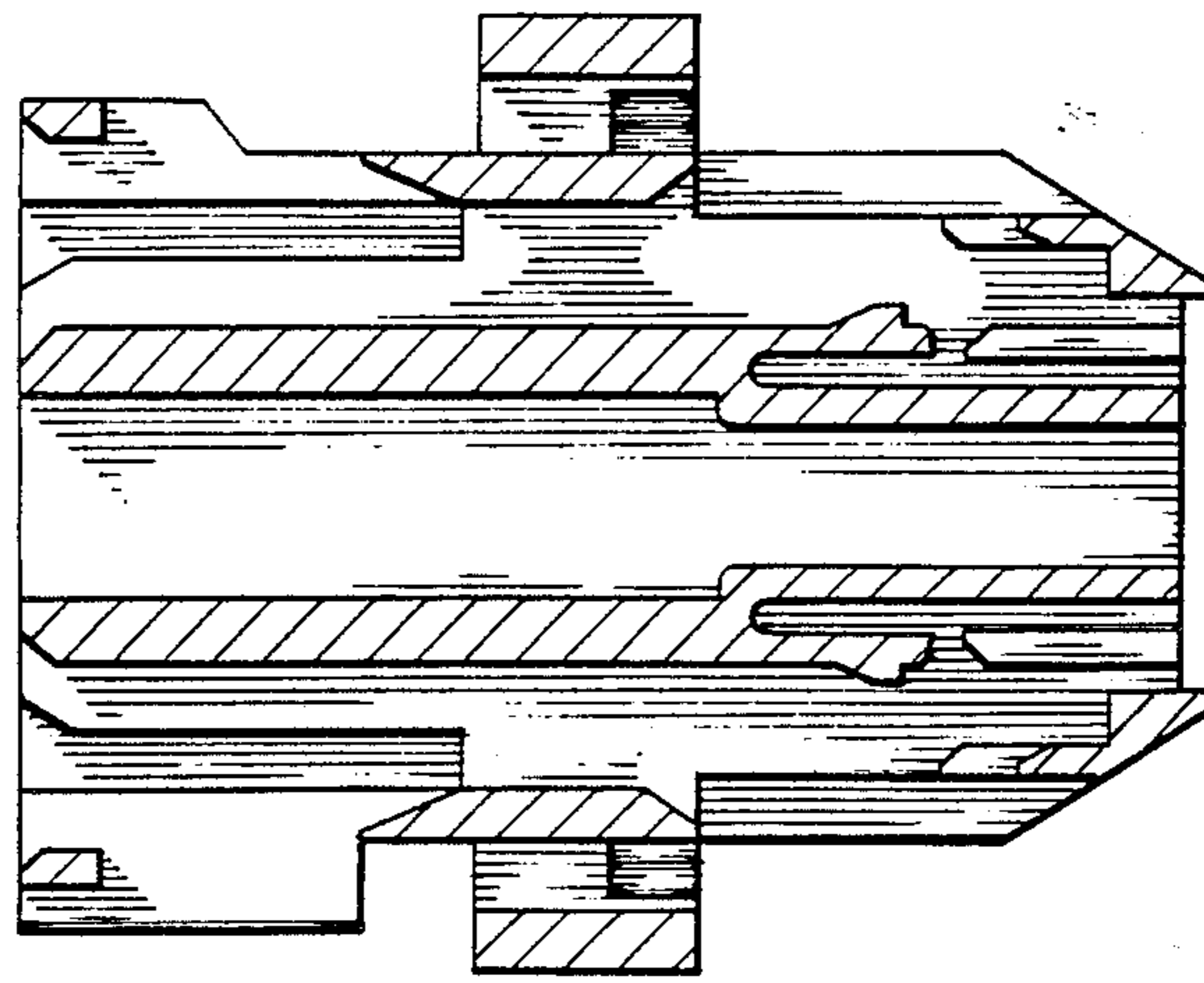


FIG 8

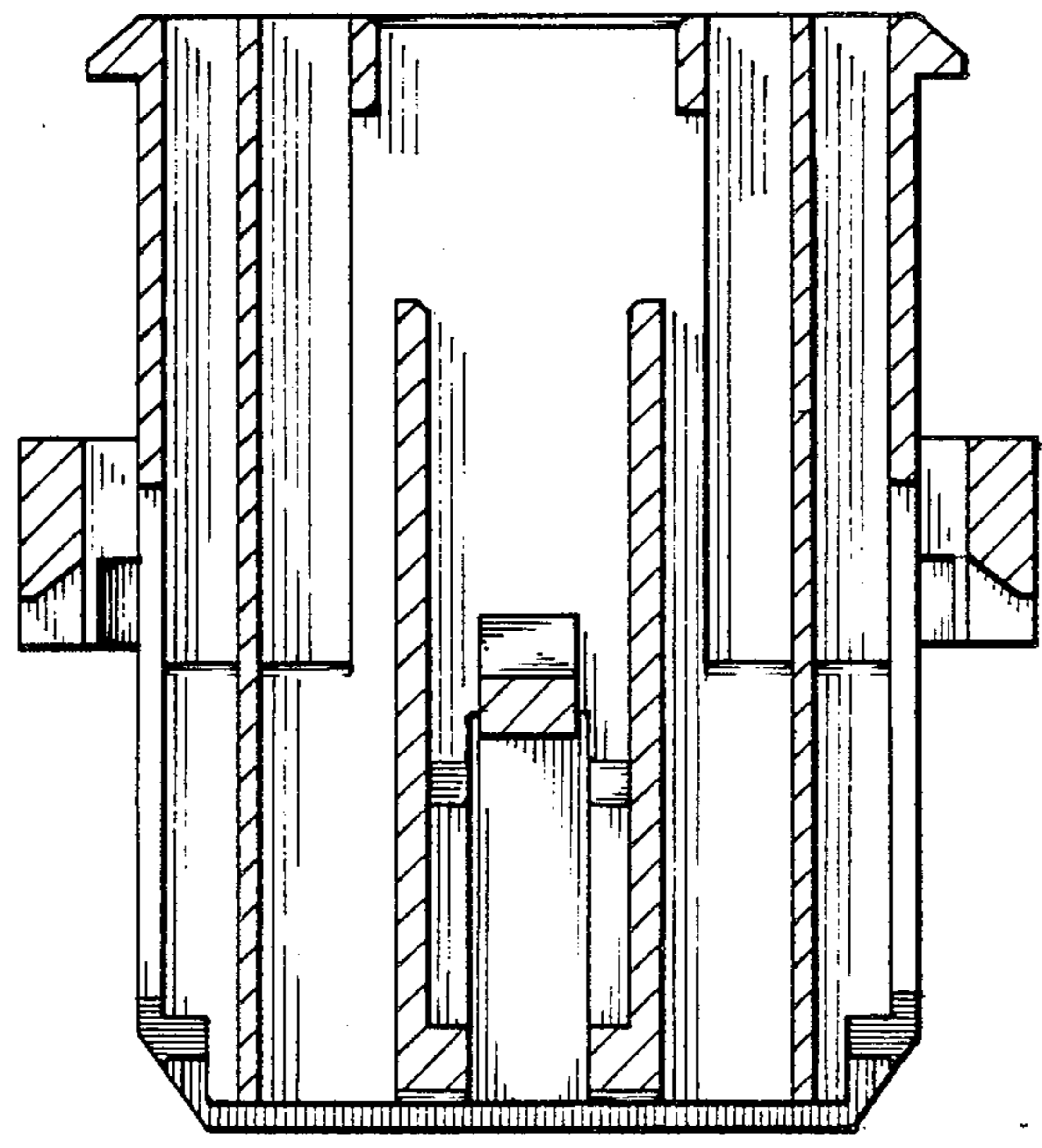


FIG 9