

[54] HOUSING FOR AN ELECTRICAL CONNECTOR

[75] Inventors: Katsutoshi Kuzuno; Shigeo Ishizuka; Hiroshi Watanabe, all of Shizuoka, Japan

[73] Assignee: Yazaki Corporation, Japan

[**] Term: 14 Years

[21] Appl. No.: 168,340

[22] Filed: Mar. 15, 1988

[30] Foreign Application Priority Data

Sep. 16, 1987 [JP] Japan 62-37491

Sep. 18, 1987 [JP] Japan 62-37850

Sep. 18, 1987 [JP] Japan 62-37851

[52] U.S. Cl. D13/133

[58] Field of Search D13/24, 30; 439/660, 439/682, 685, 353, 595

[56] References Cited

U.S. PATENT DOCUMENTS

4,708,662 11/1987 Klein 439/353

4,711,509 12/1987 Cross et al. 439/595 X

OTHER PUBLICATIONS

Burndy Connector, on p. 14, Section F of a 11-1986 Catalog.

Primary Examiner—Susan J. Lucas

Assistant Examiner—Joel Sincavage

Attorney, Agent, or Firm—Jones, Askew & Lunsford

[57] CLAIM

The ornamental design for a housing for an electrical connector, as shown and described.

DESCRIPTION

FIG. 1 is a perspective view of a housing for an electrical connector showing our new design;

FIG. 2 is a top plan view thereof;

FIG. 3 is a front elevational view thereof;

FIG. 4 is a bottom plan view thereof;

FIG. 5 is a right side elevational view thereof, the left side being a mirror image;

FIG. 6 is a rear elevational view thereof;

FIG. 7 is a perspective view of a housing for an electrical connector showing a second embodiment of our new design;

FIG. 8 is a top plan view thereof;

FIG. 9 is a front elevational view thereof;

FIG. 10 is a bottom plan view thereof;

FIG. 11 is a right side elevational view thereof, the left side being a mirror image;

FIG. 12 is a rear elevational view thereof;

FIG. 13 is a perspective view of a housing for an electrical connector showing a third embodiment of our new design;

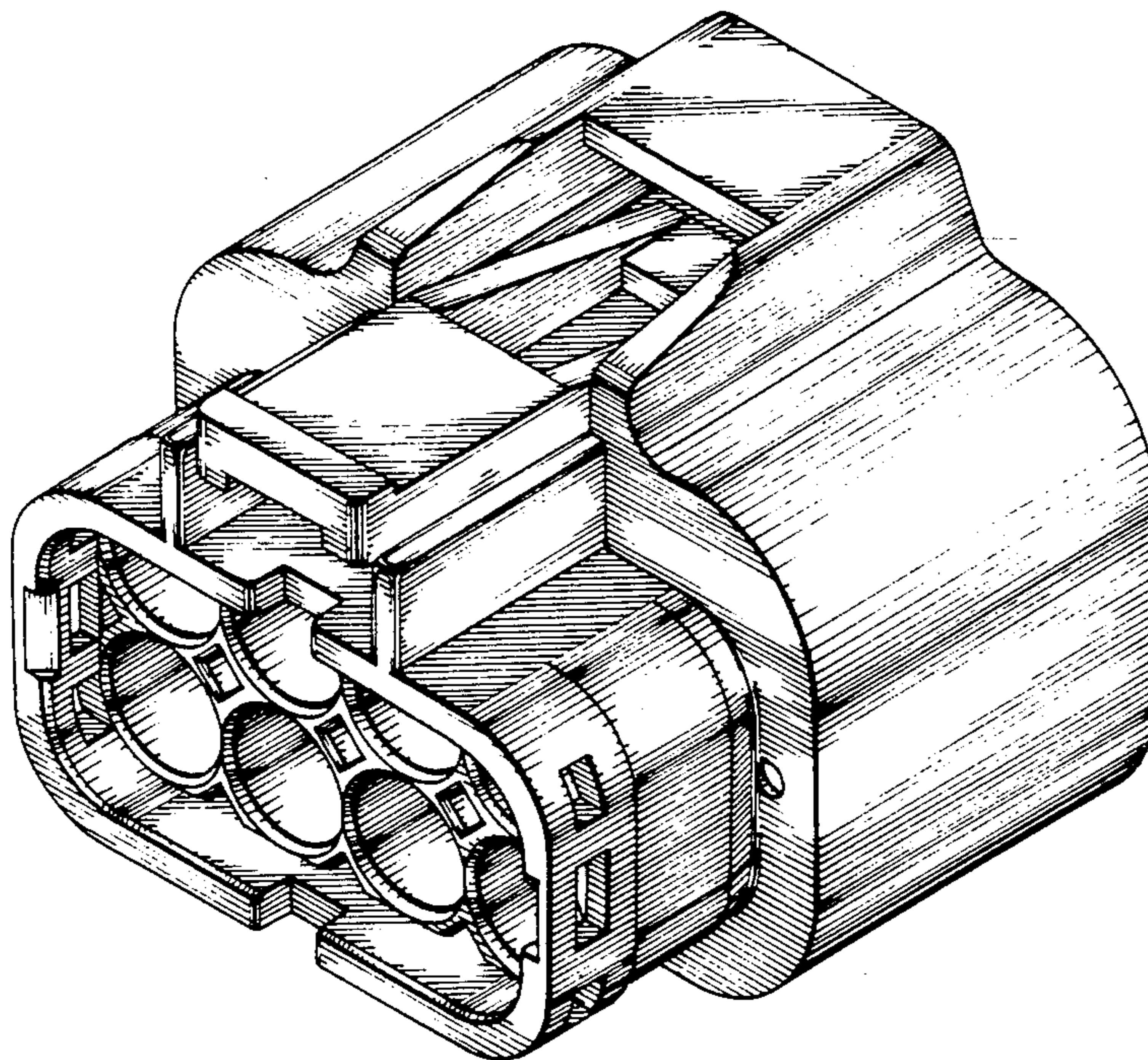
FIG. 14 is a top plan view thereof;

FIG. 15 is a front elevational view thereof;

FIG. 16 is a bottom plan view thereof;

FIG. 17 is a right side elevational view thereof, the left side being a mirror image;

FIG. 18 is a rear elevational view thereof.



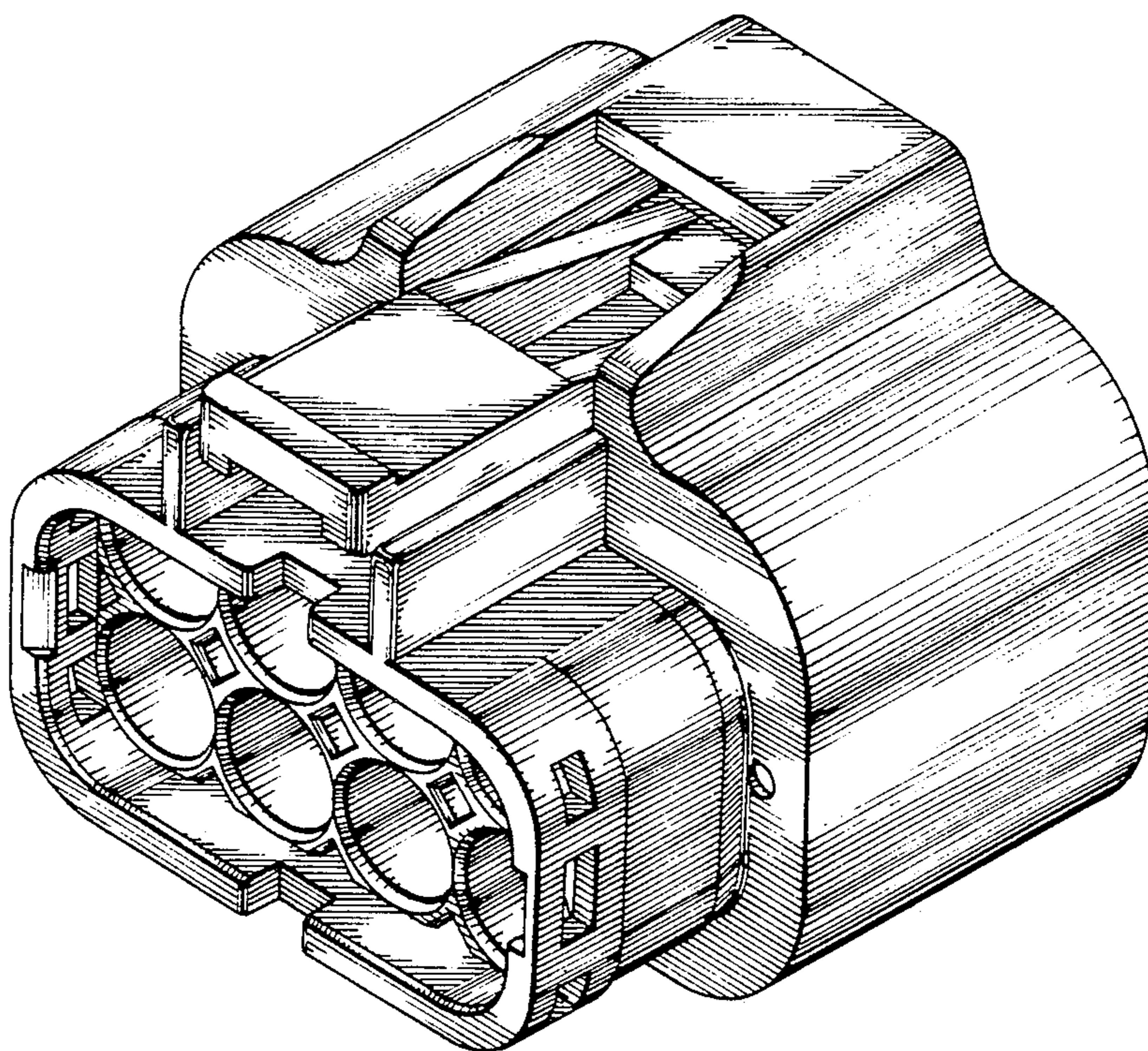


FIG 1

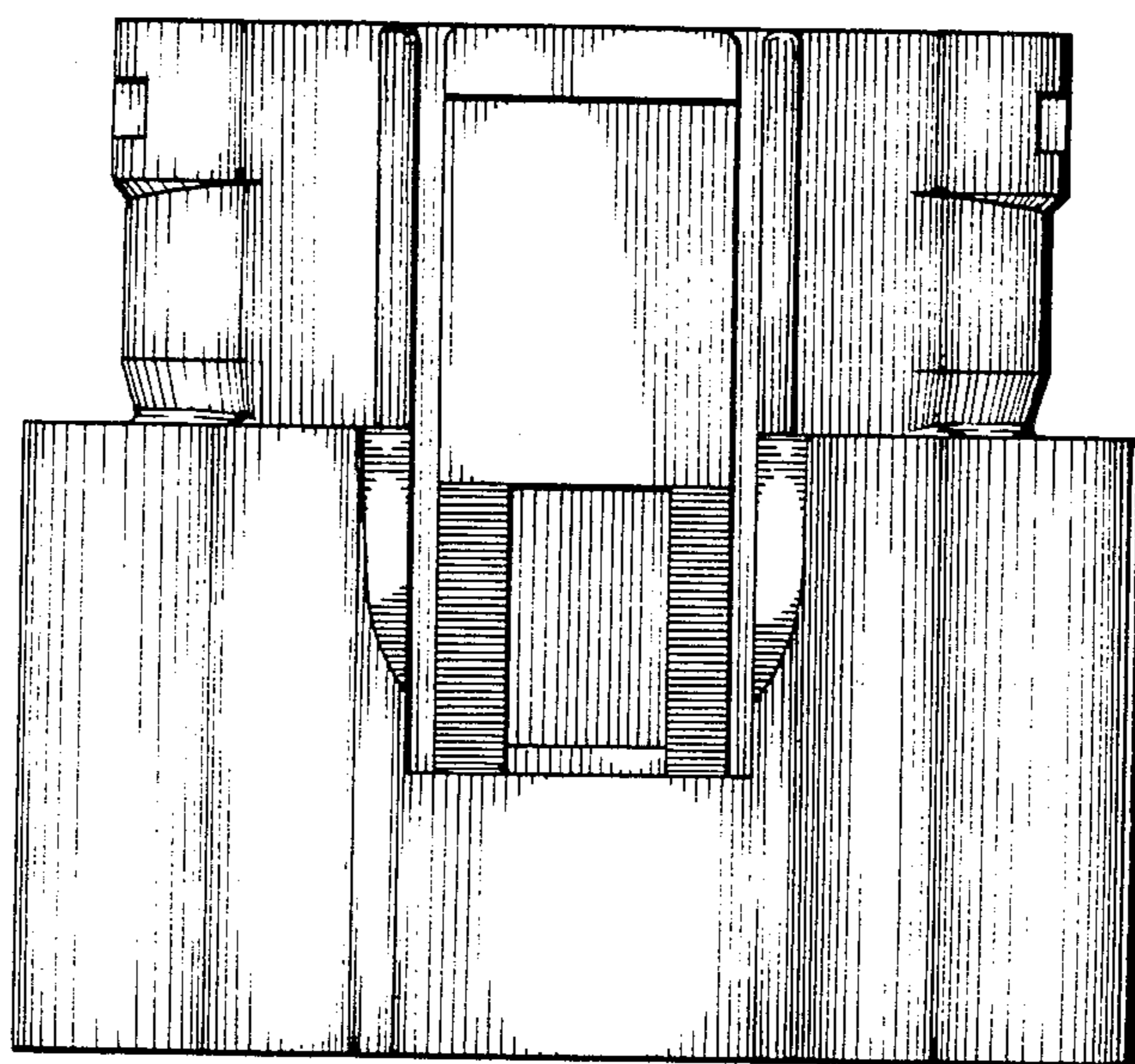


FIG 2

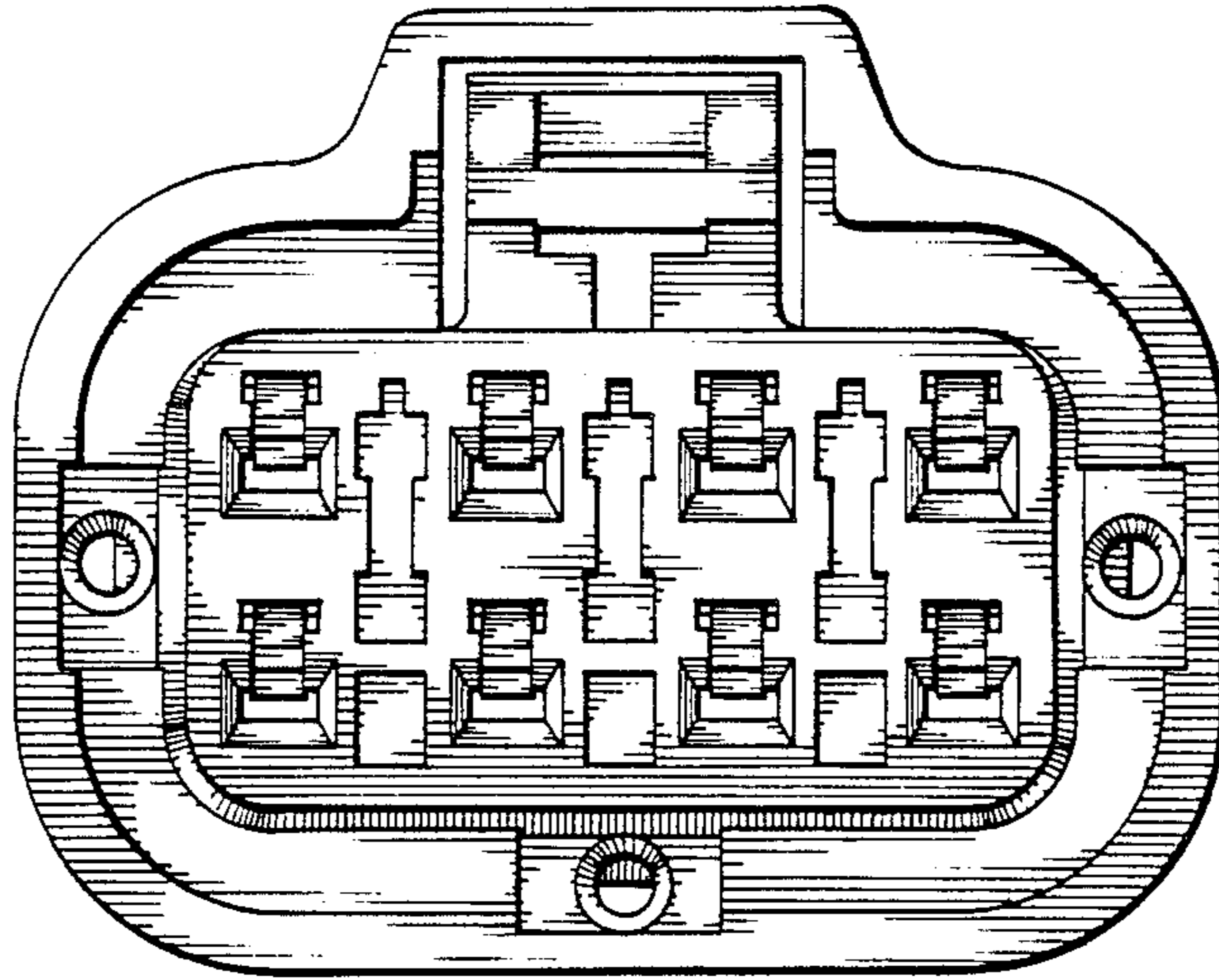


FIG 3

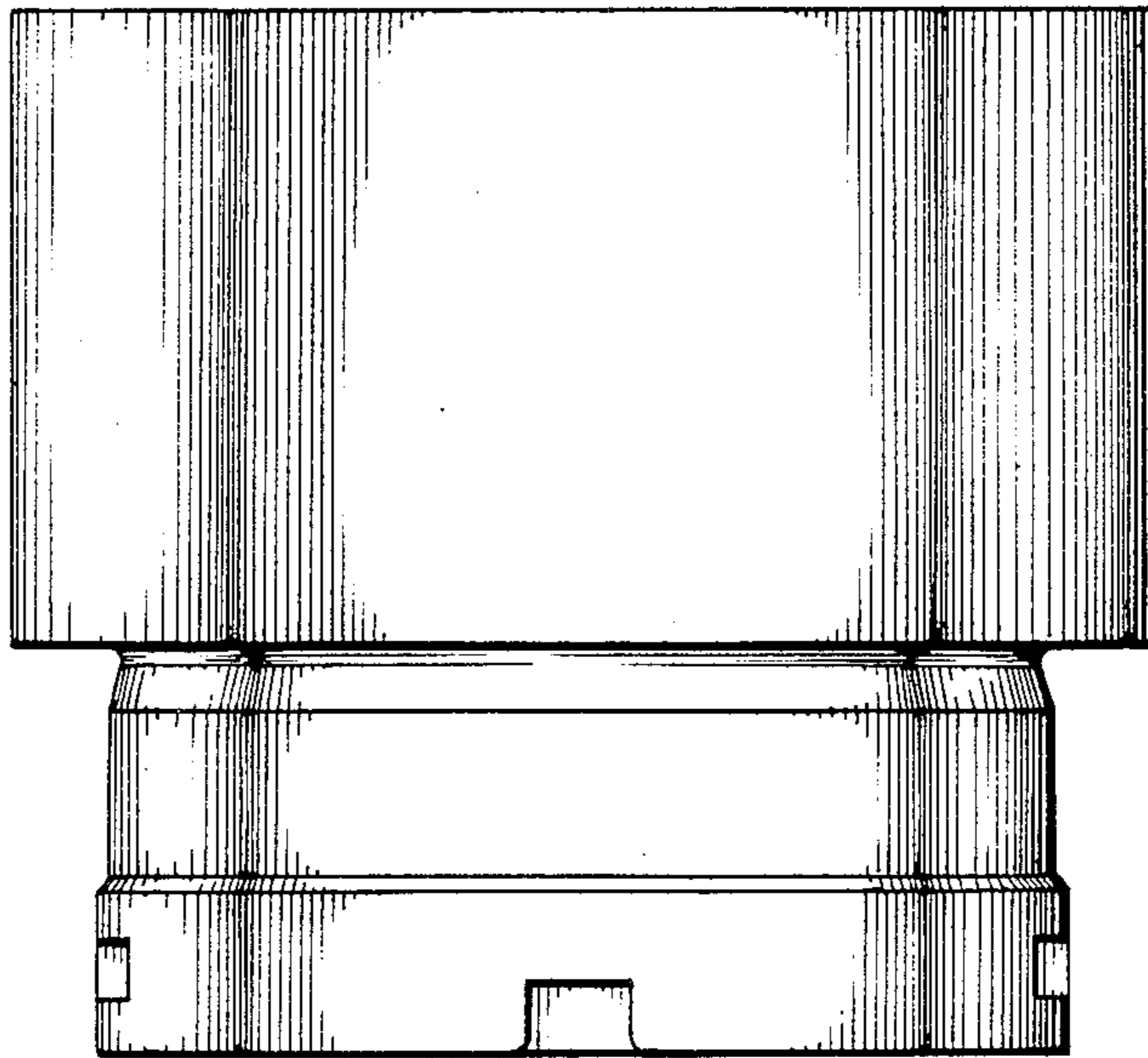


FIG 4

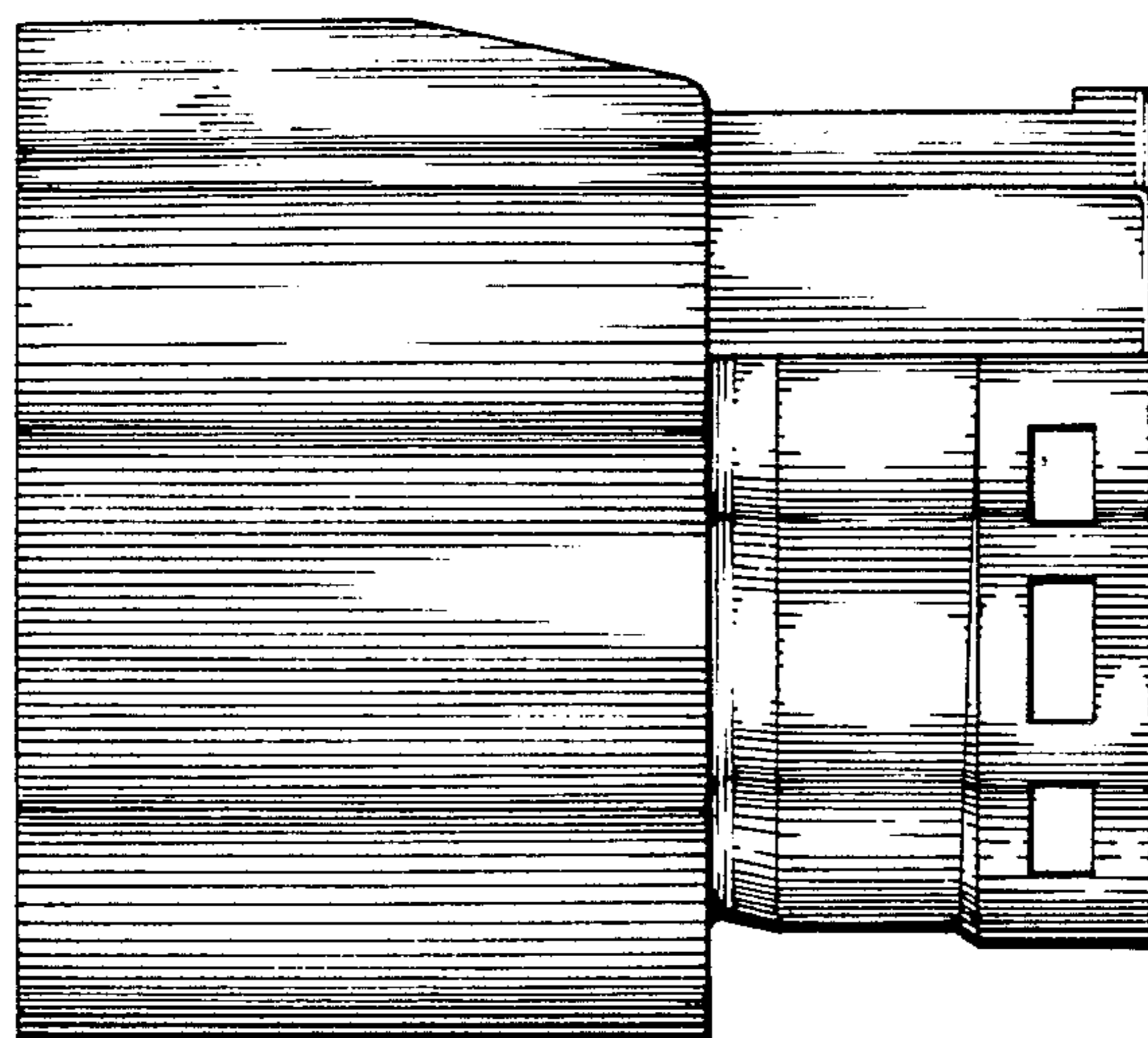


FIG 5

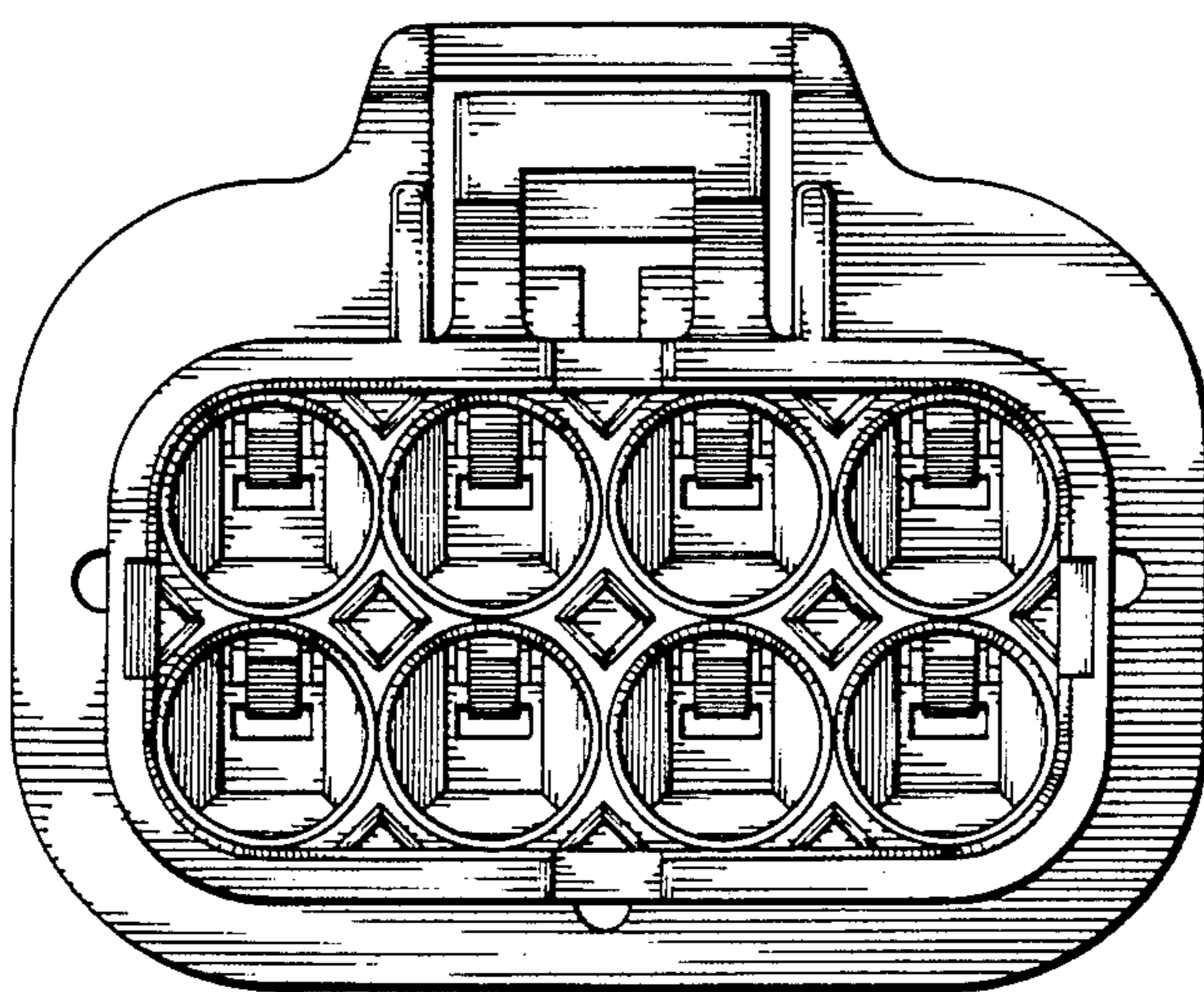


FIG 6

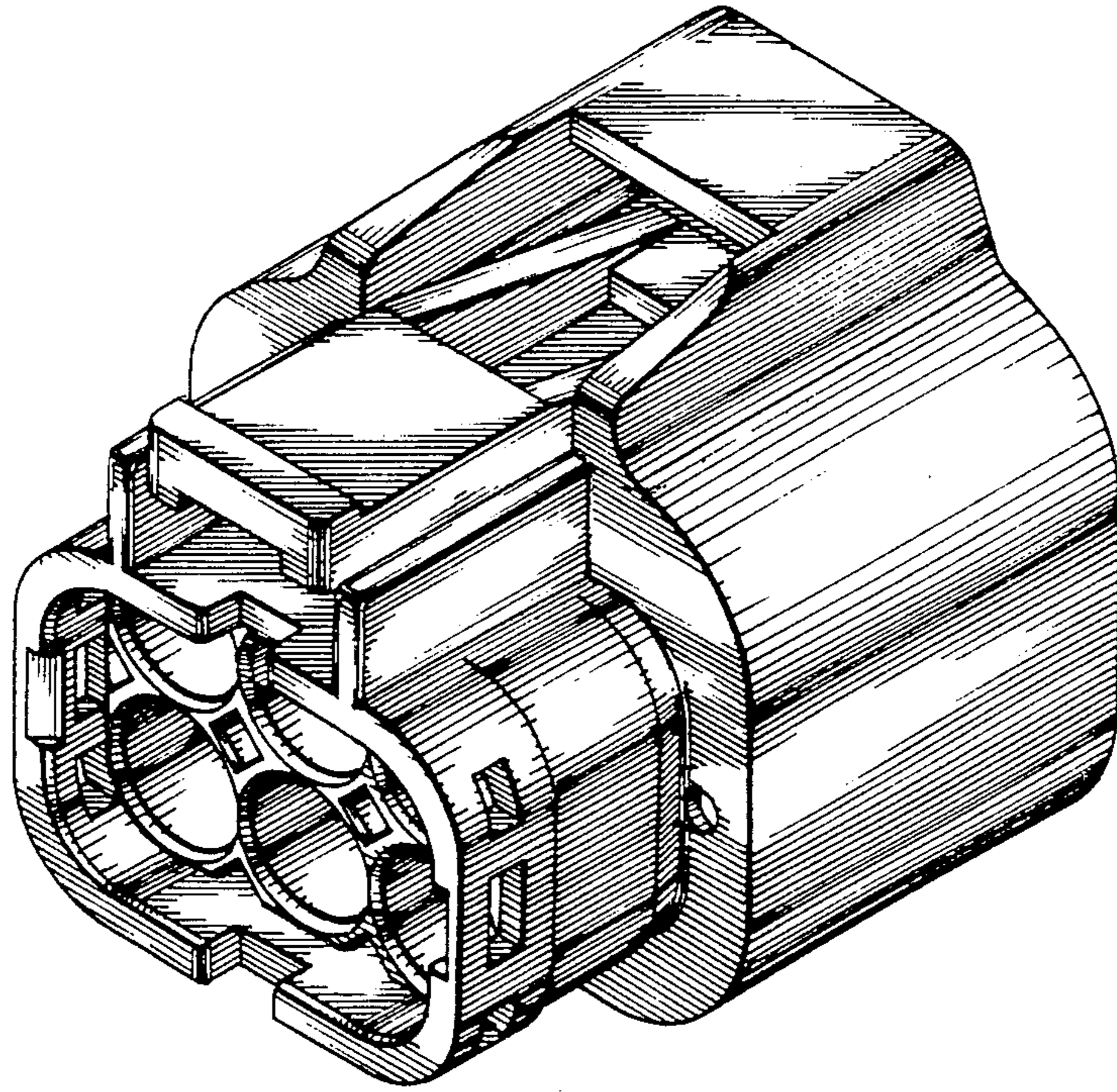


FIG 7

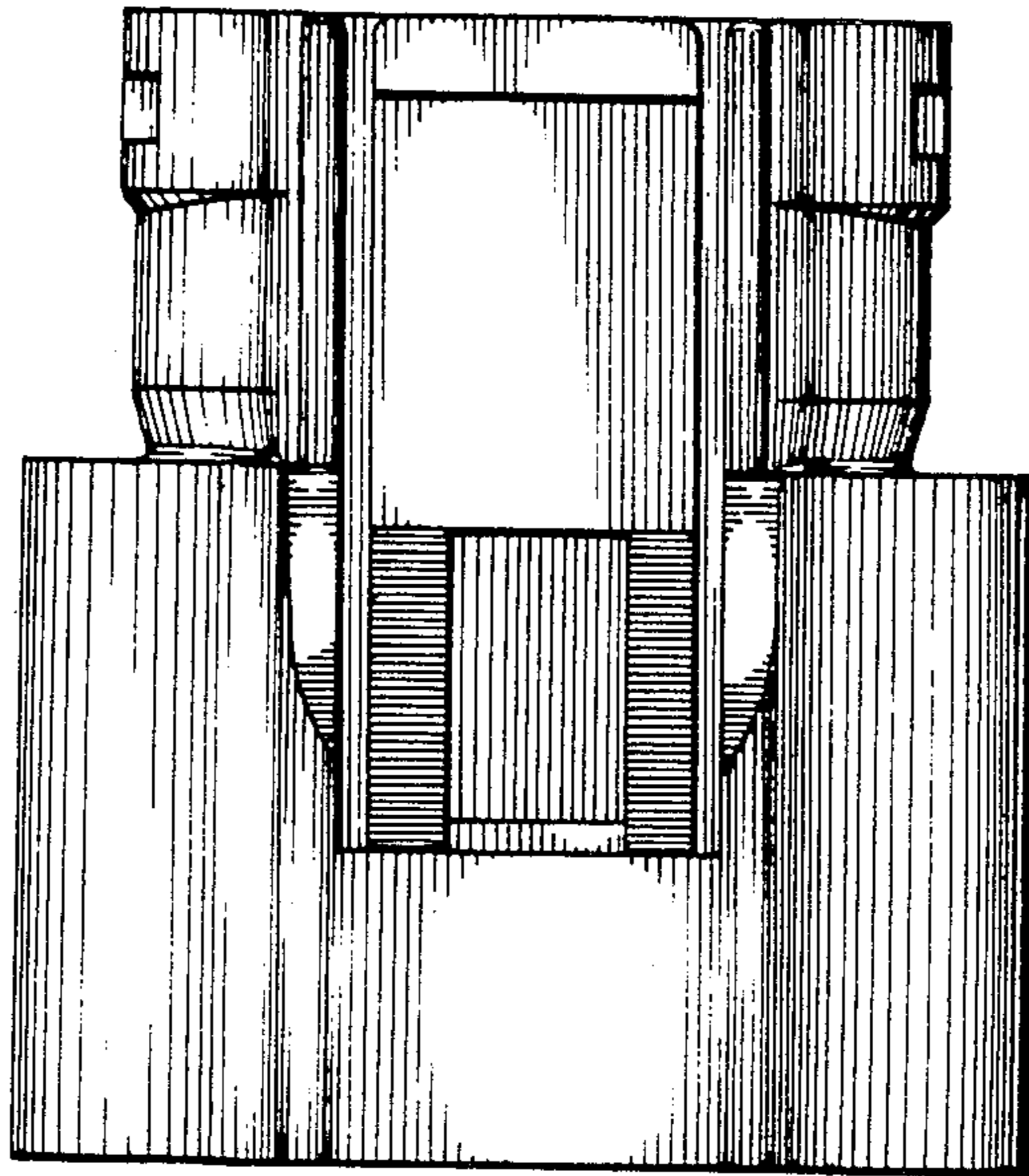


FIG 8

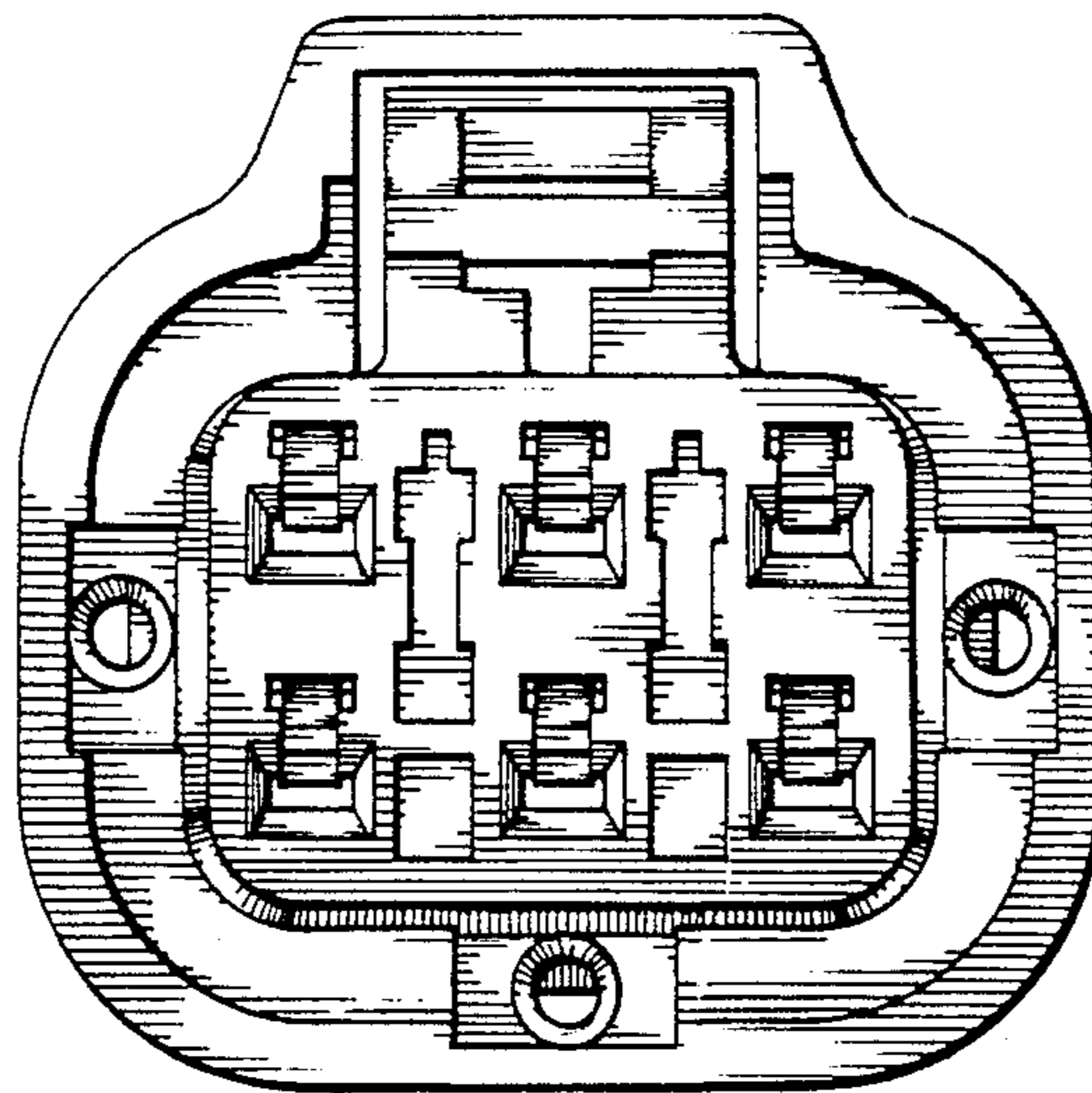


FIG 9

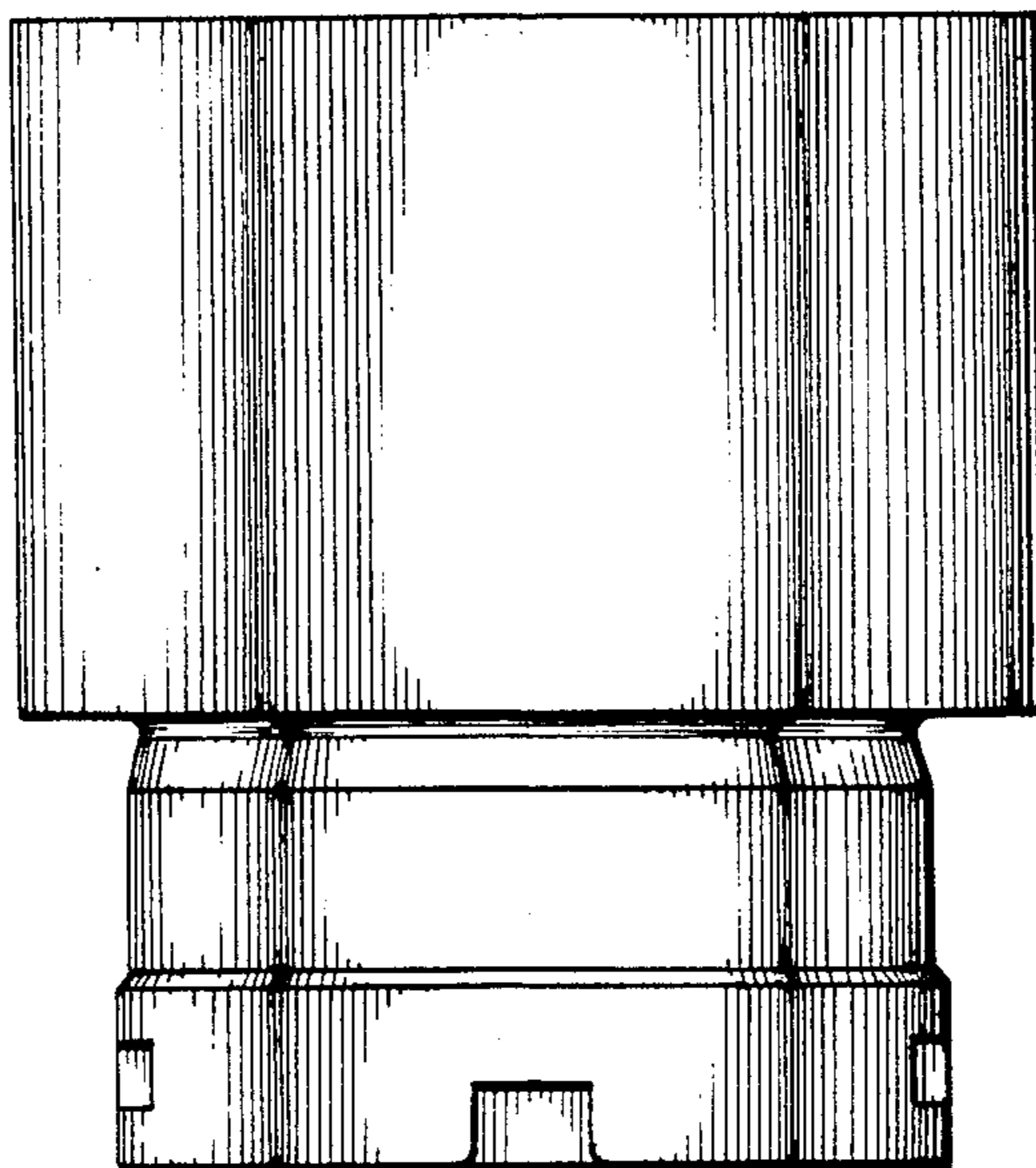


FIG 10

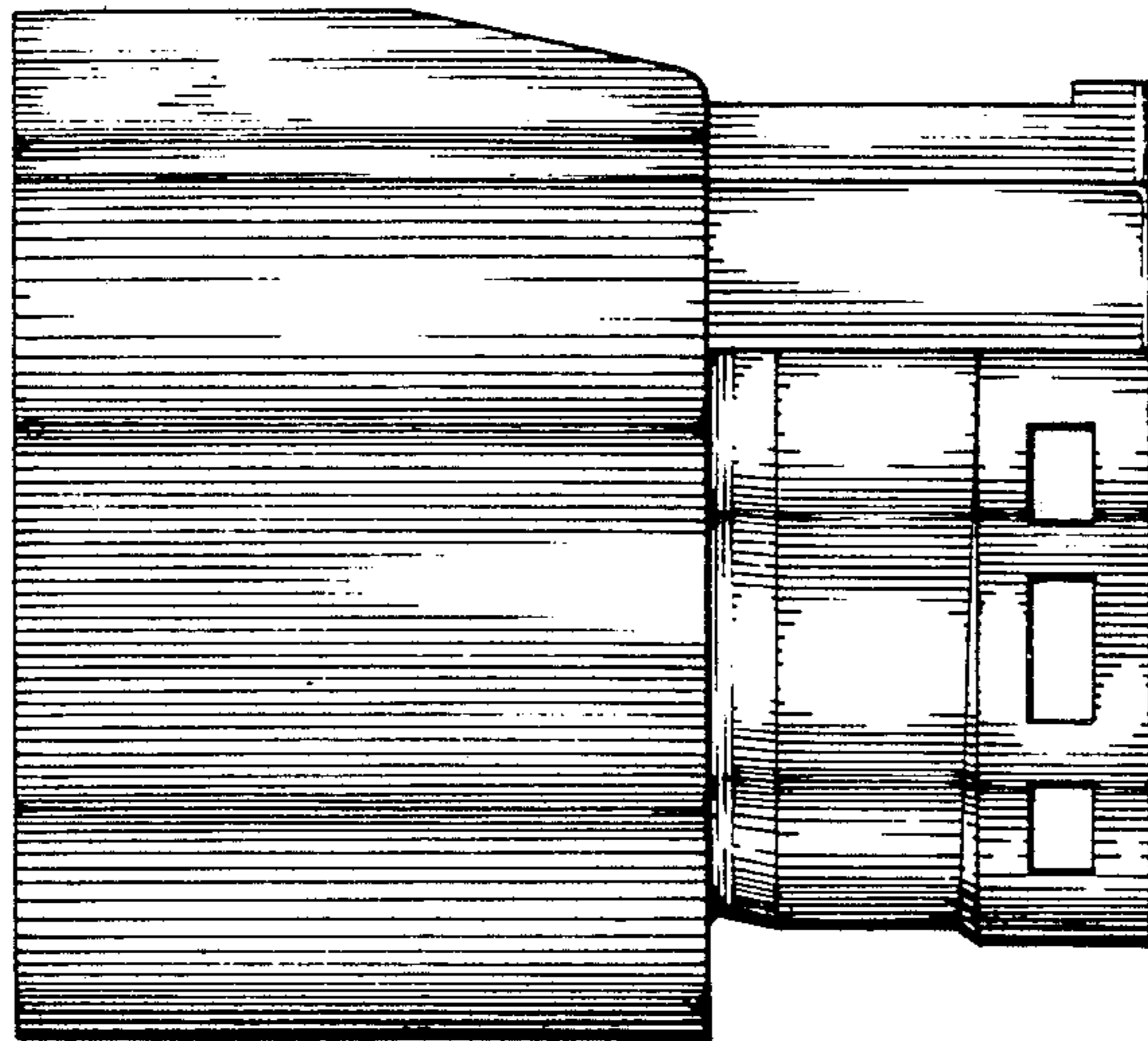


FIG 11

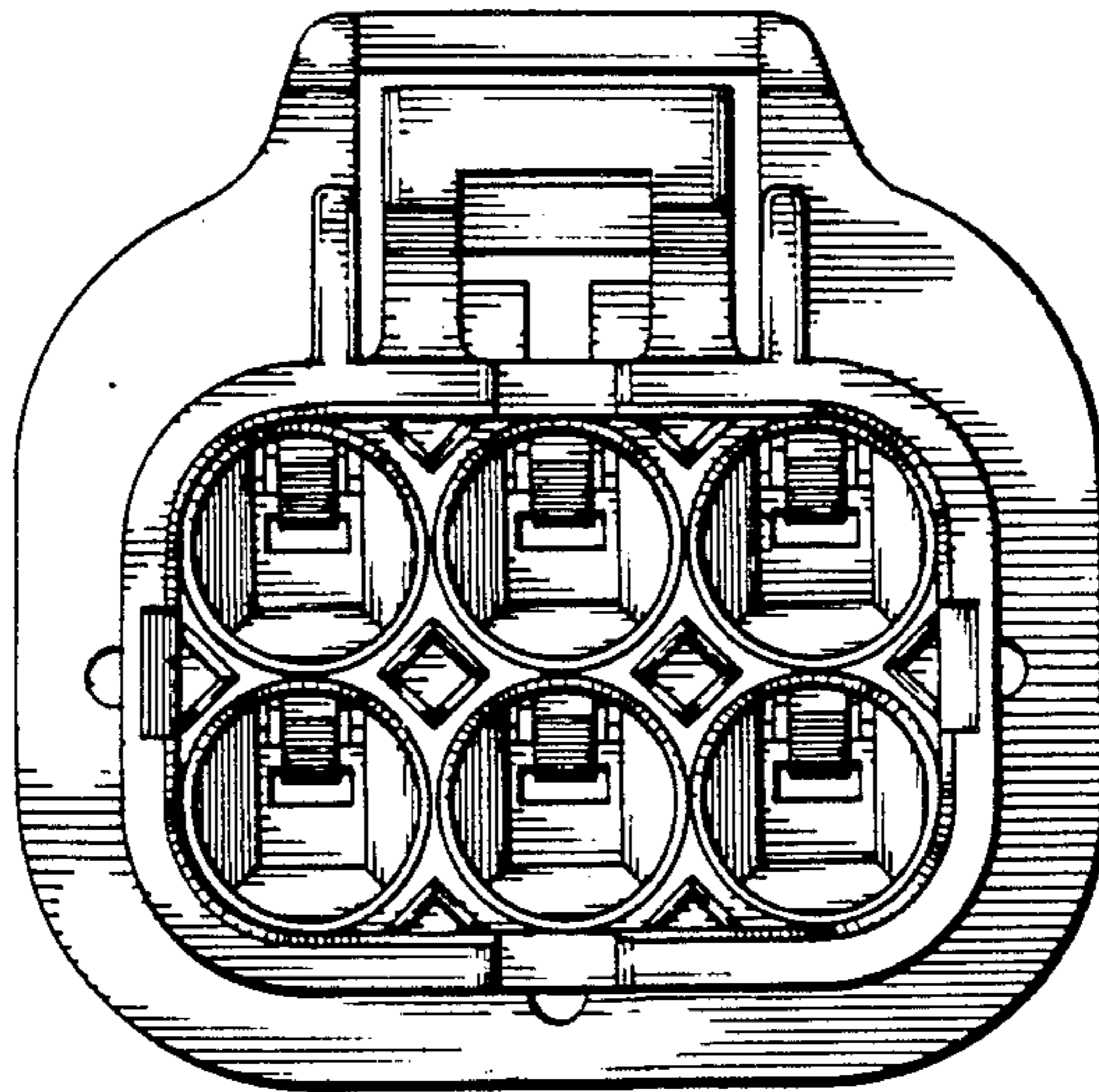


FIG 12

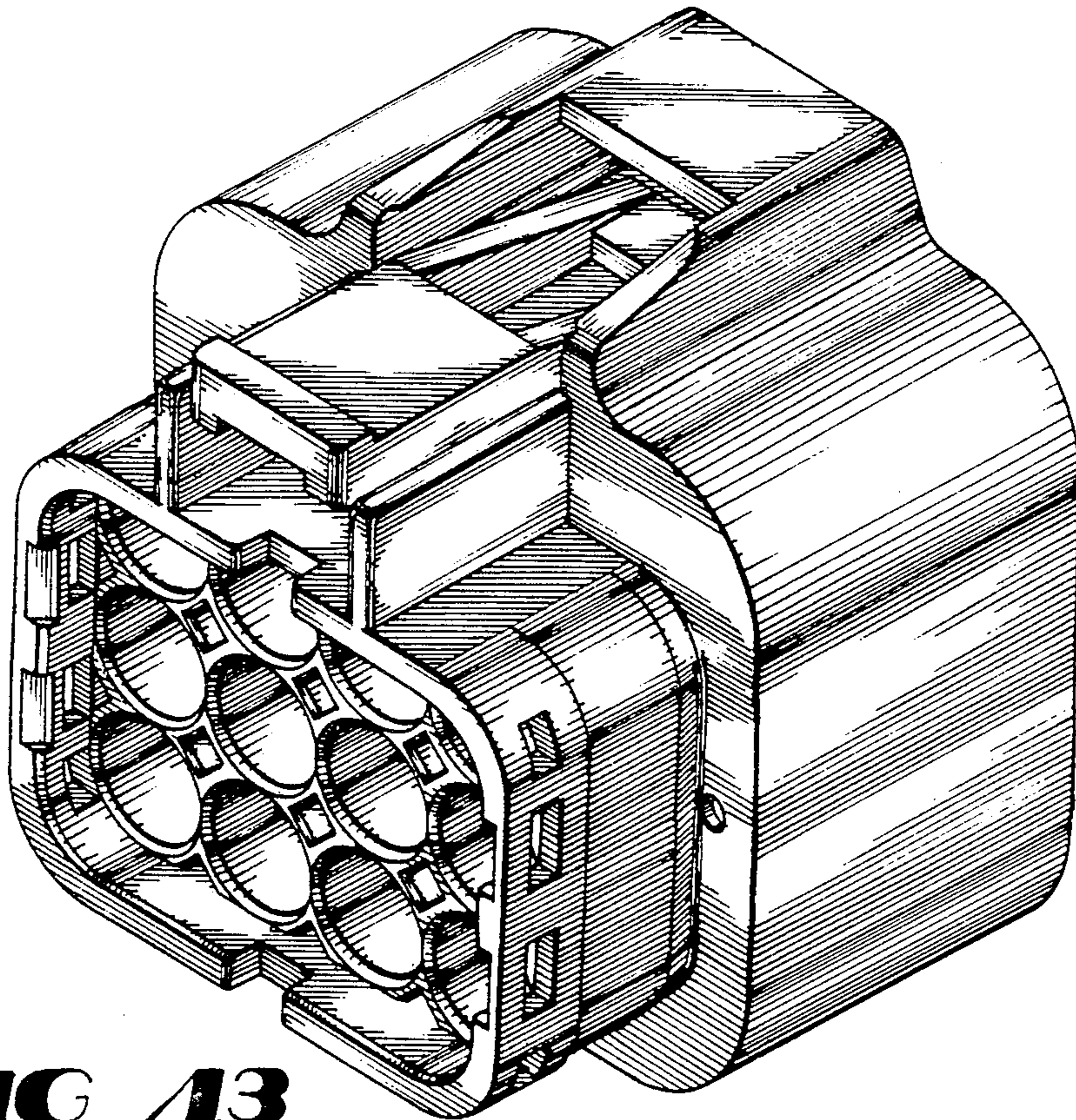


FIG 13

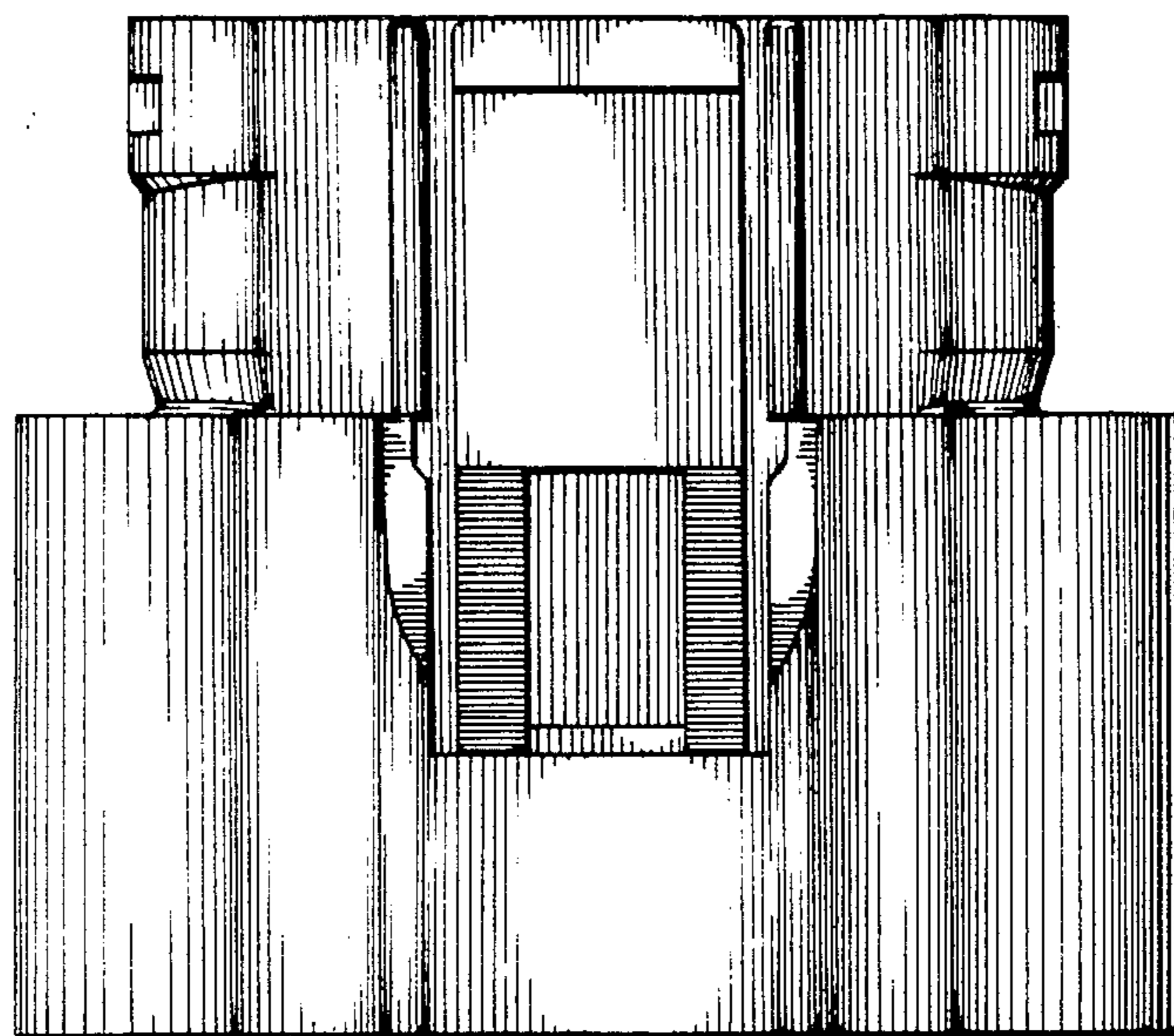


FIG 14

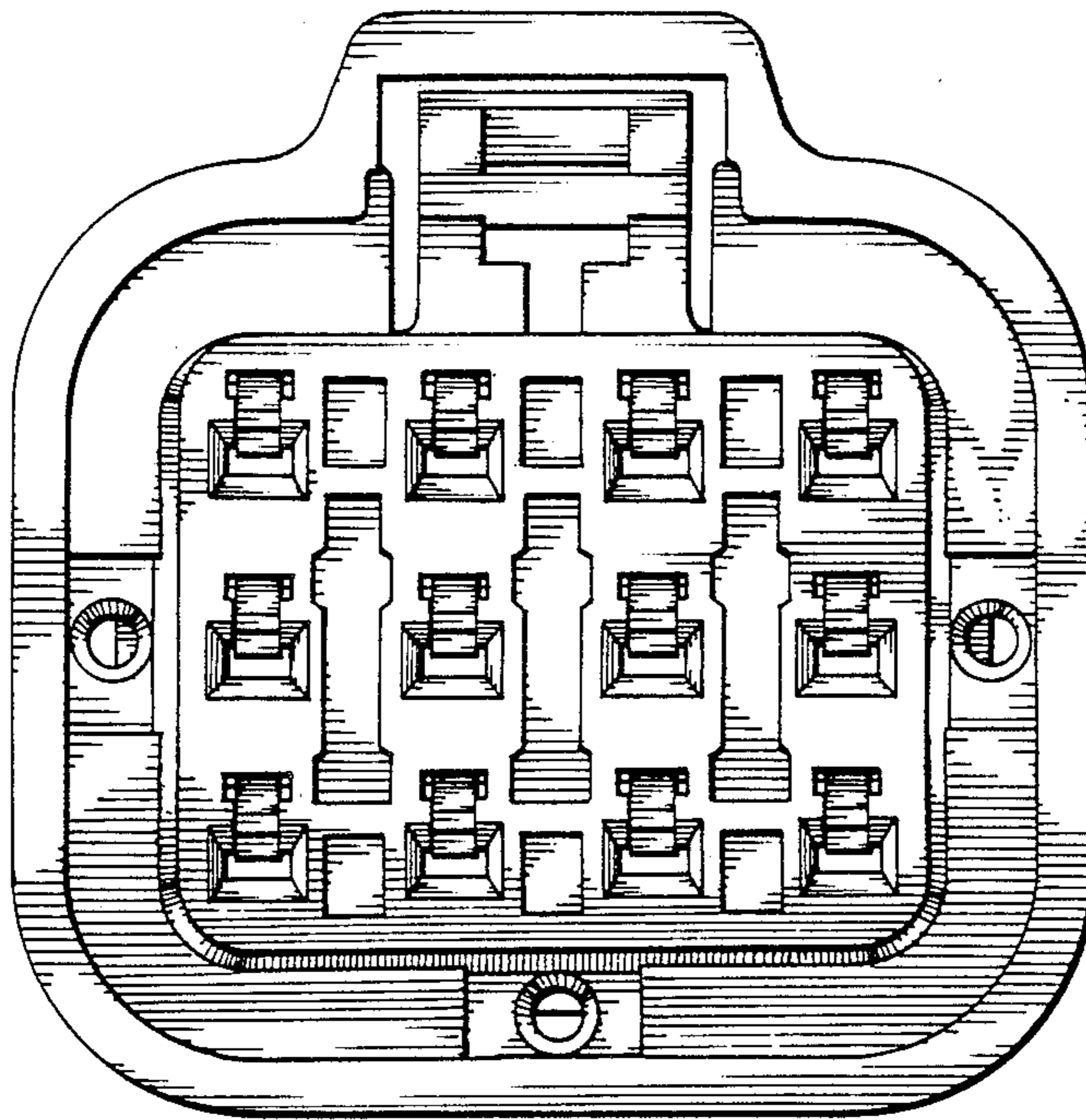


FIG 15

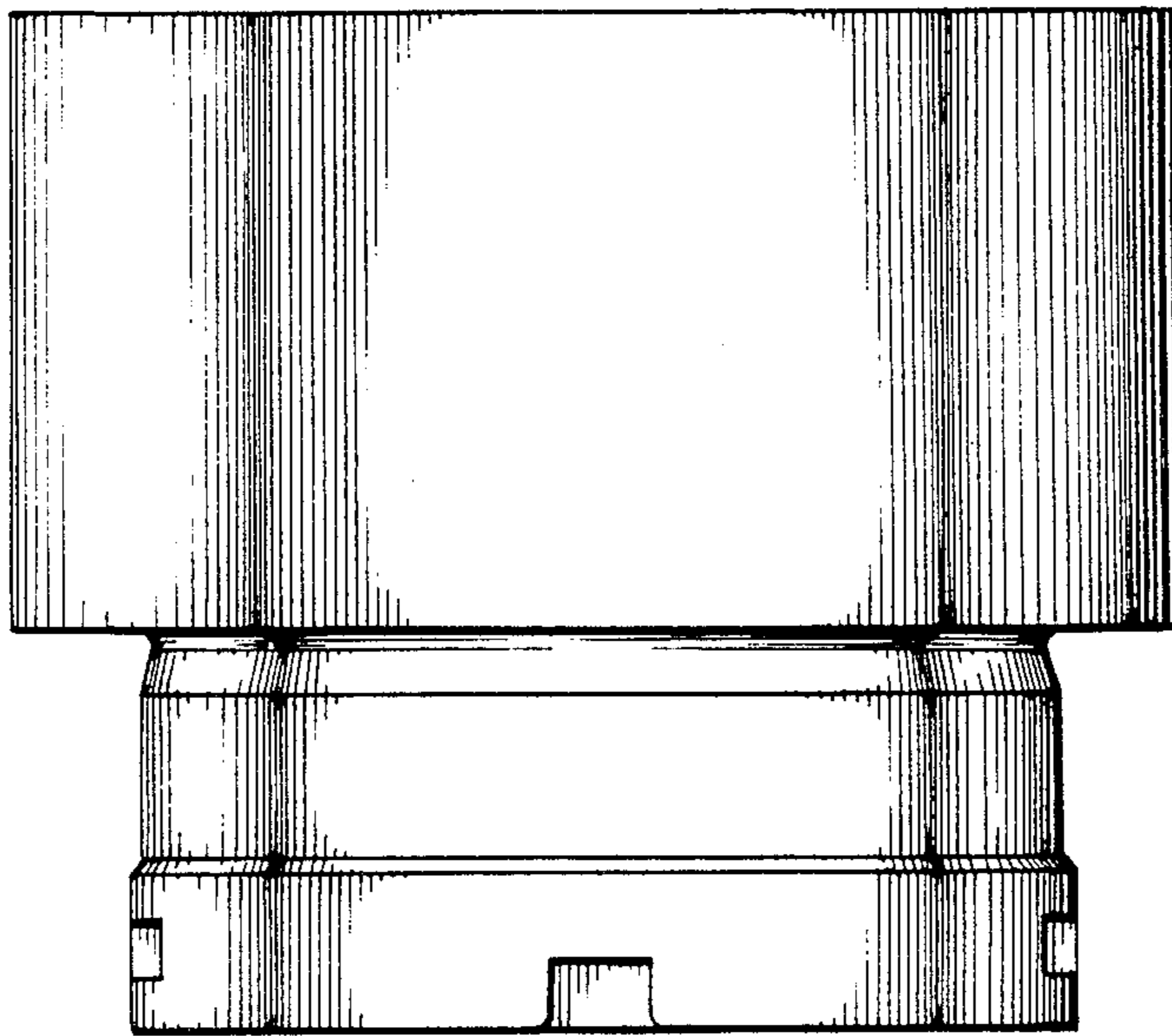


FIG 16

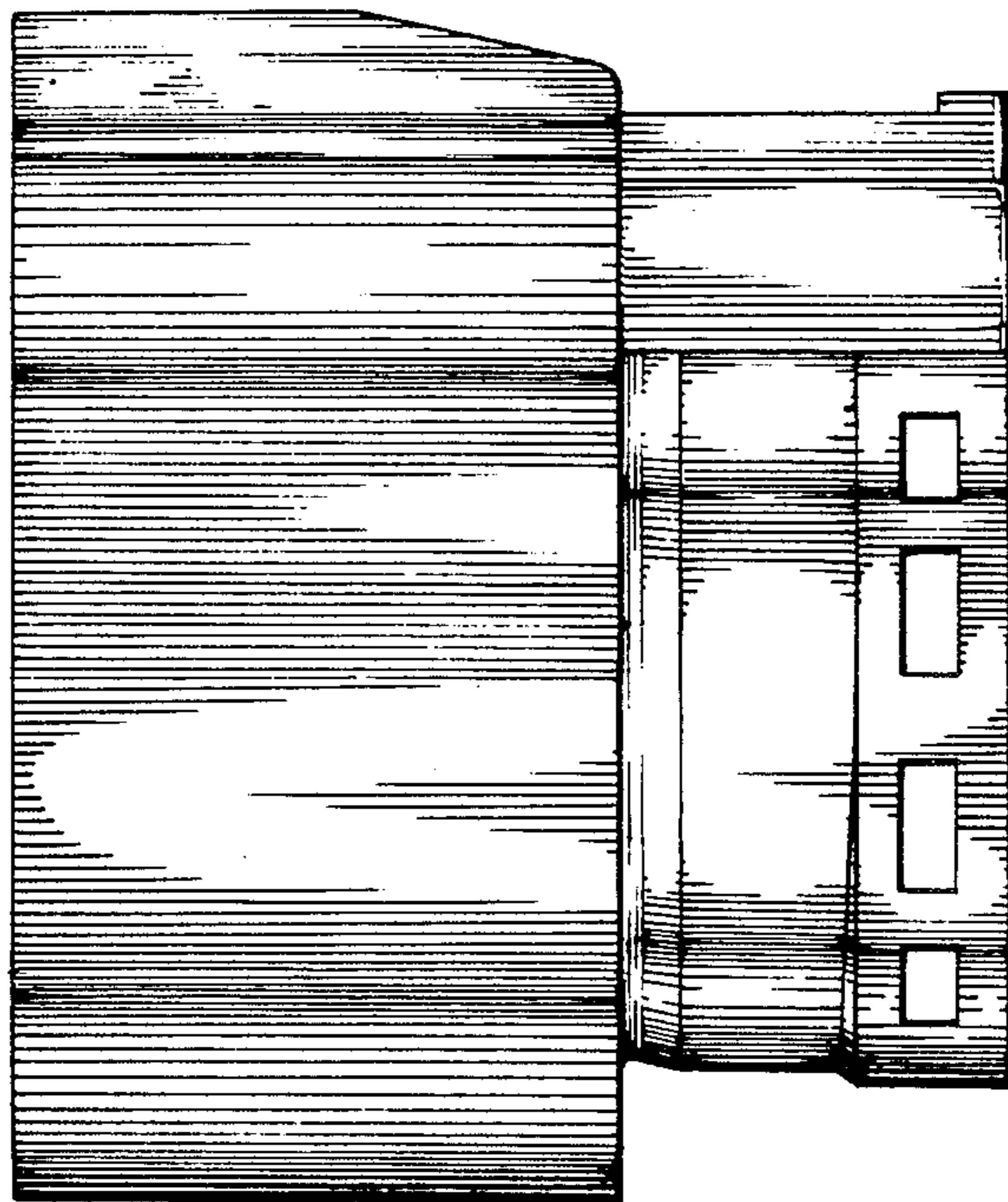


FIG 17

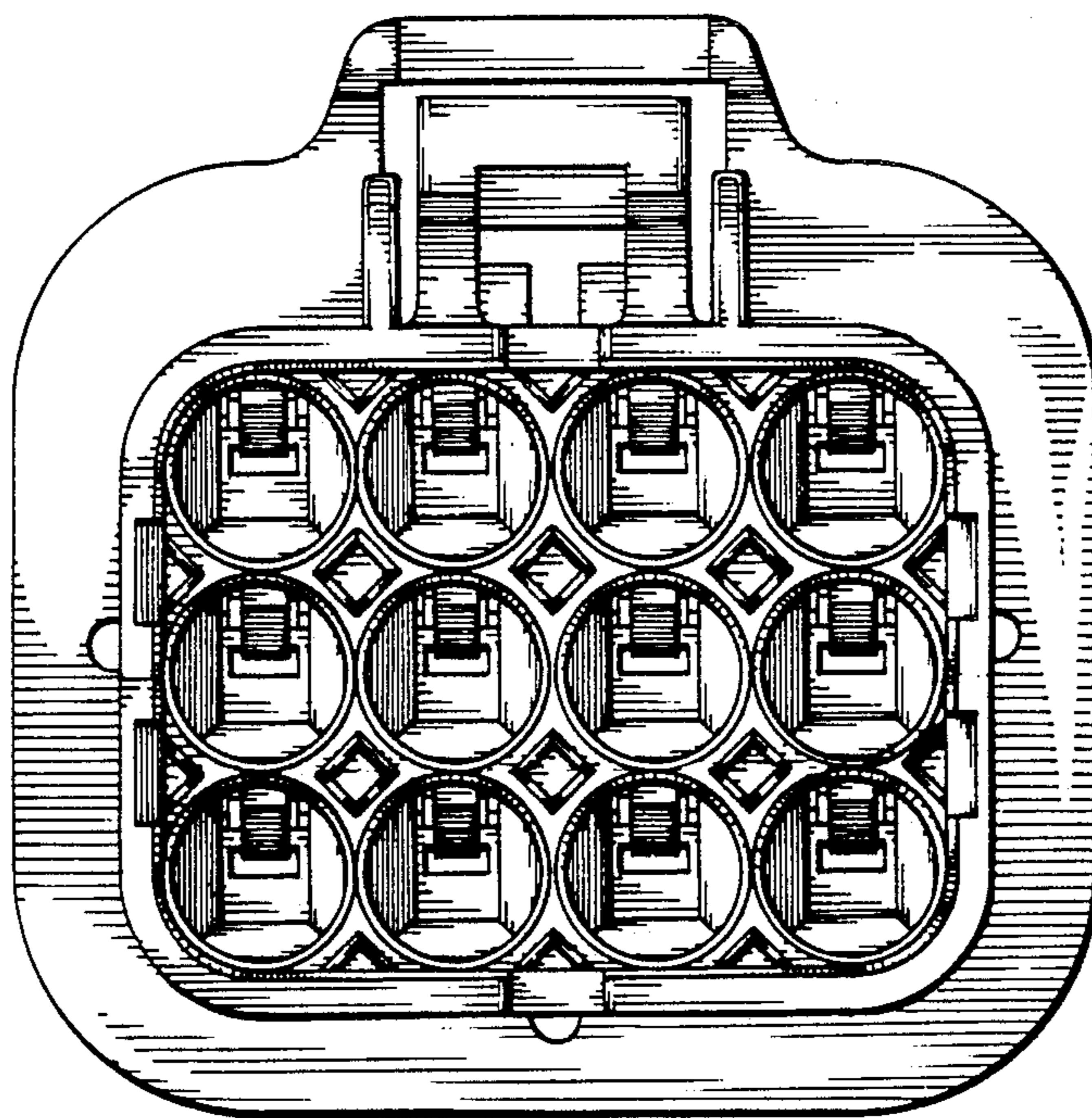


FIG 18