

[54] HOUSING FOR AN ELECTRICAL CONNECTOR

[75] Inventors: Toshiharu Kawashima; Keishi Jinno; Yoshitsugu Sawada, all of Shizuoka, Japan

[73] Assignee: Yazaki Corporation, Japan

[**] Term: 14 Years

[21] Appl. No.: 194,001

[22] Filed: May 13, 1988

[30] Foreign Application Priority Data

Nov. 13, 1987 [JP]	Japan	62-46251
Nov. 13, 1987 [JP]	Japan	62-46252
Nov. 13, 1987 [JP]	Japan	62-46253

[52] U.S. Cl. D13/133

[58] Field of Search D13/24, 30, 133, 139; 439/660, 682, 685, 595, 586

[56] References Cited

U.S. PATENT DOCUMENTS

D. 252,082	6/1979	Voelkert	D13/24
4,357,066	11/1982	Cairns et al.	439/595 X
4,711,508	12/1987	Sueyoshi	439/595
4,750,893	6/1988	Sueyoshi et al.	439/586 X

Primary Examiner—Susan J. Lucas

Assistant Examiner—Joel Sincavage

Attorney, Agent, or Firm—Jones, Askew & Lunsford

[57] CLAIM

The ornamental design for a housing for an electrical connector, as shown and described.

DESCRIPTION

FIG. 1 is a top perspective view of a housing for an electrical connector showing our new design; FIG. 2 is a bottom perspective view thereof; FIG. 3 is a top plan view thereof; FIG. 4 is a front elevational view thereof; FIG. 5 is a bottom plan view thereof; FIG. 6 is a right side elevational view thereof, the left elevational view being a mirror image; FIG. 7 is a rear elevational view thereof; FIG. 8 is a cross-section view thereof taken along line 8—8 of FIG. 4; FIG. 9 is a top perspective view of a housing for an electrical conductor showing a second embodiment of our new design; FIG. 10 is a bottom perspective view thereof; FIG. 11 is a top plan view thereof; FIG. 12 is a front elevational view thereof; FIG. 13 is a bottom plan view thereof; FIG. 14 is a right side elevational view thereof, the left elevational view being a mirror image; FIG. 15 is a rear elevational view thereof; FIG. 16 is a cross-section view thereof taken along line 6—6 of FIG. 12; FIG. 17 is a top perspective view of a housing for an electrical conductor showing a third embodiment of our new design; FIG. 18 is a bottom perspective view thereof; FIG. 19 is a top plan view thereof; FIG. 20 is a front elevational view thereof; FIG. 21 is a bottom plan view thereof; FIG. 22 is a right side elevational view thereof, the left elevational view being a mirror image; FIG. 23 is a rear elevational view thereof; FIG. 24 is a cross-section view thereof taken along line 24—24 of FIG. 20.

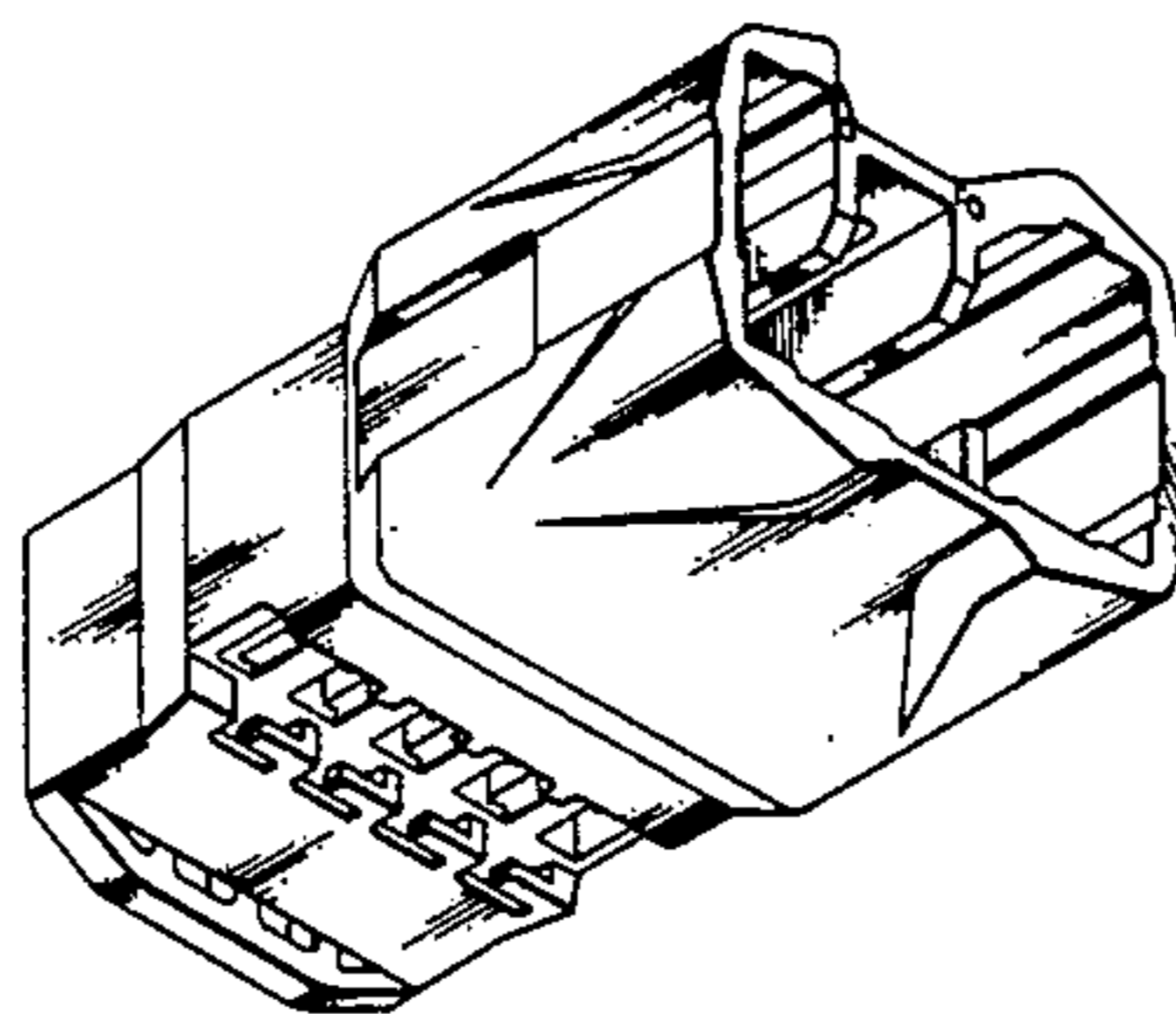


Fig. 1

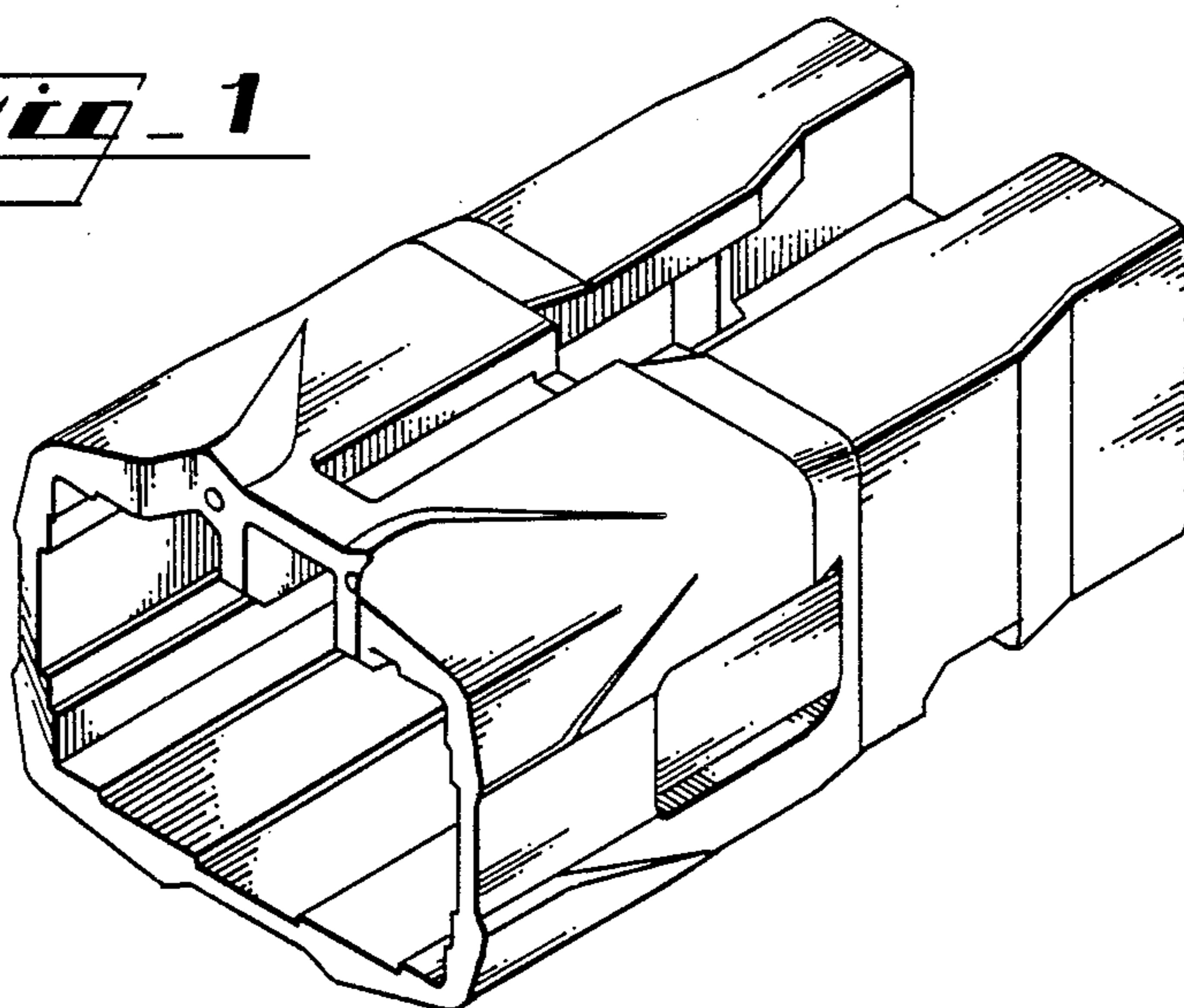
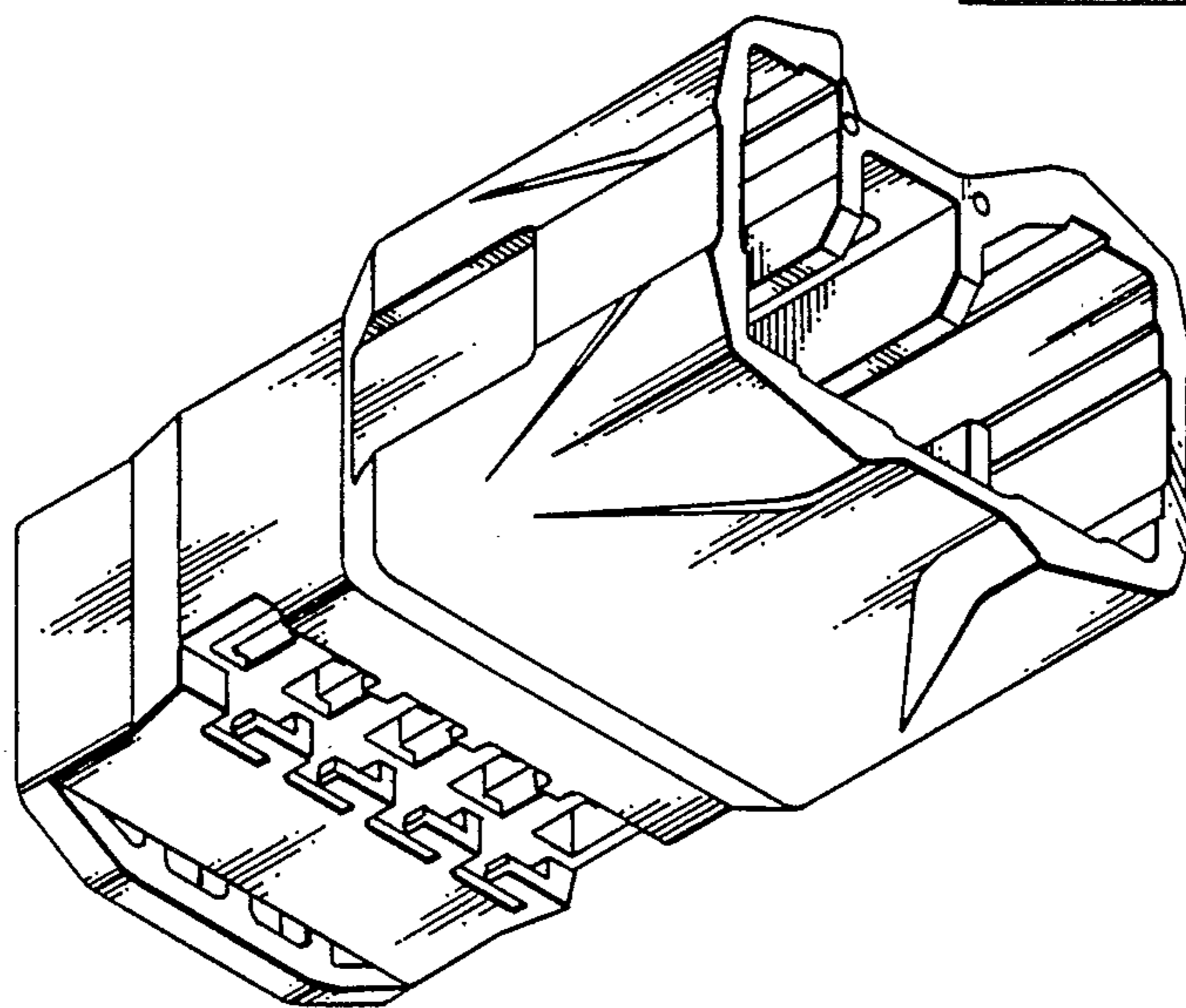


Fig. 2



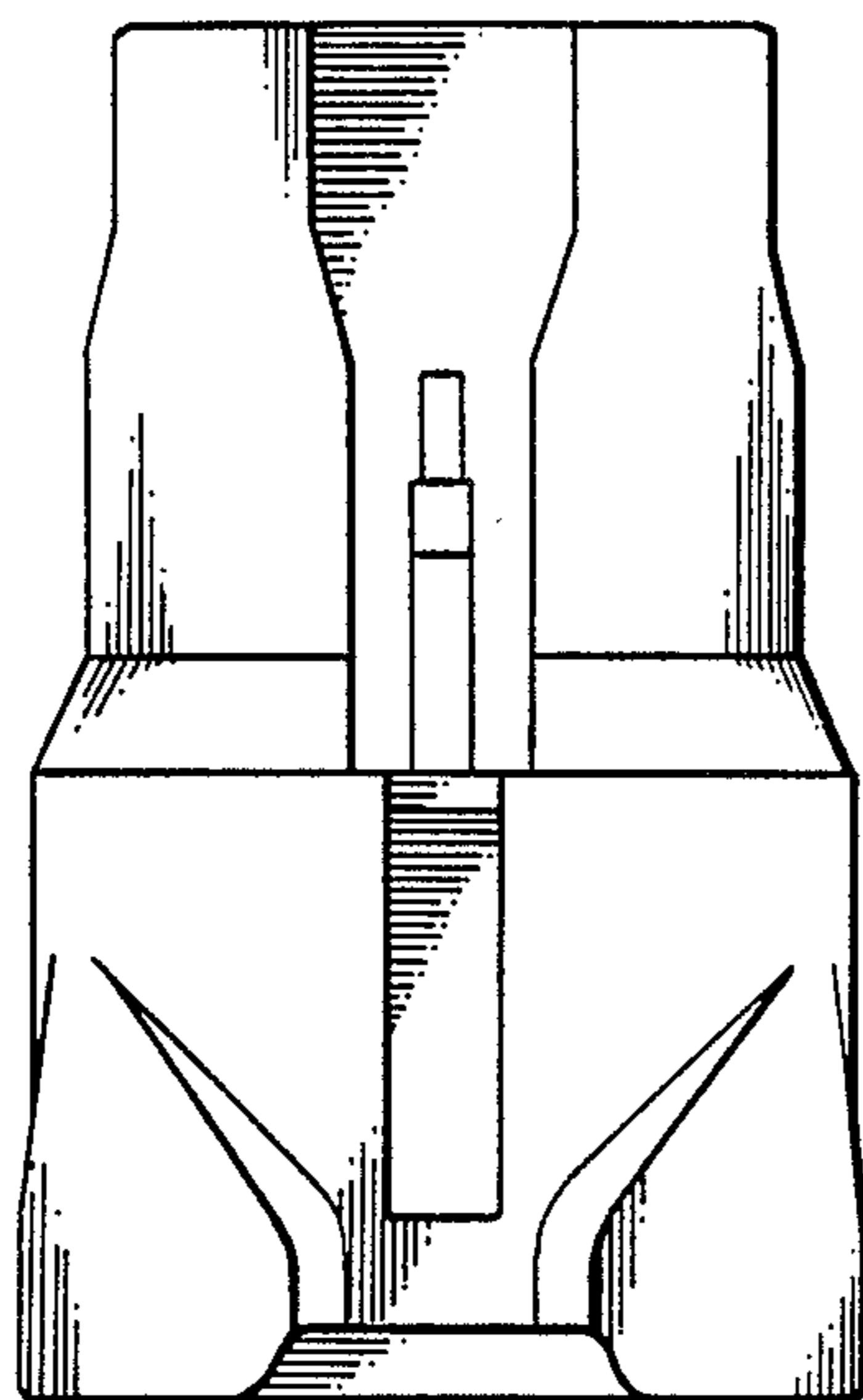


Fig. 3

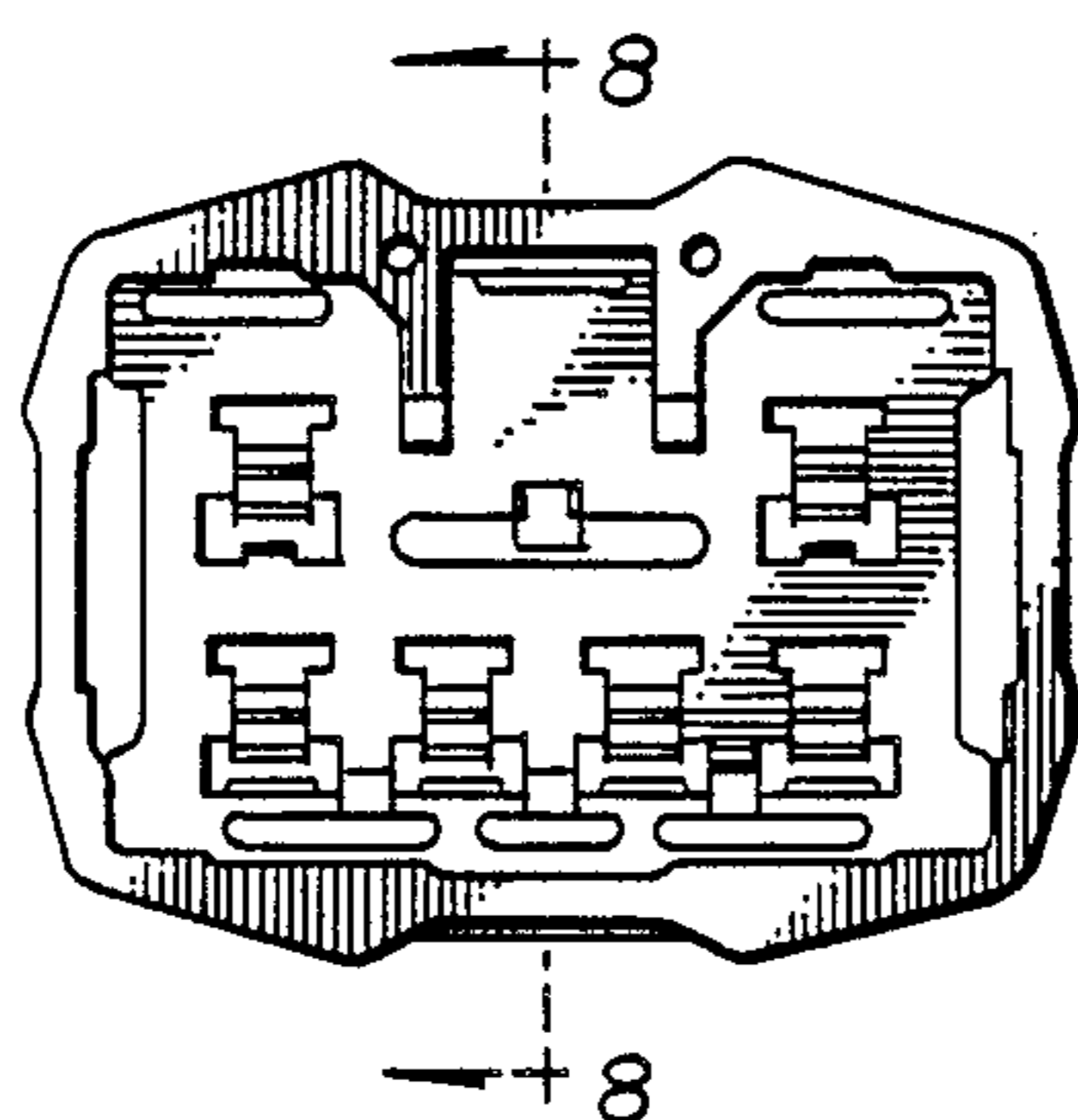


Fig. 4

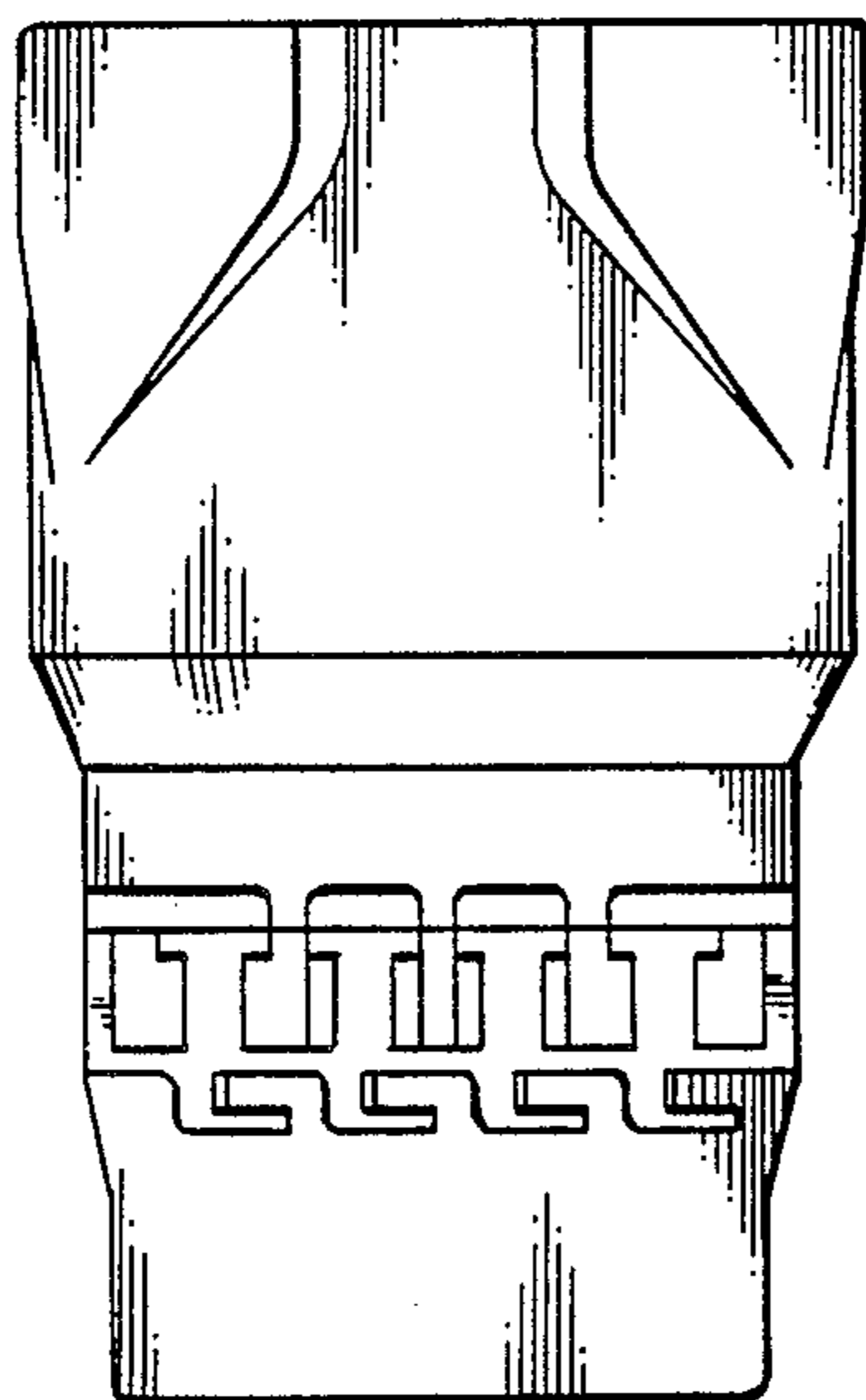


Fig. 5

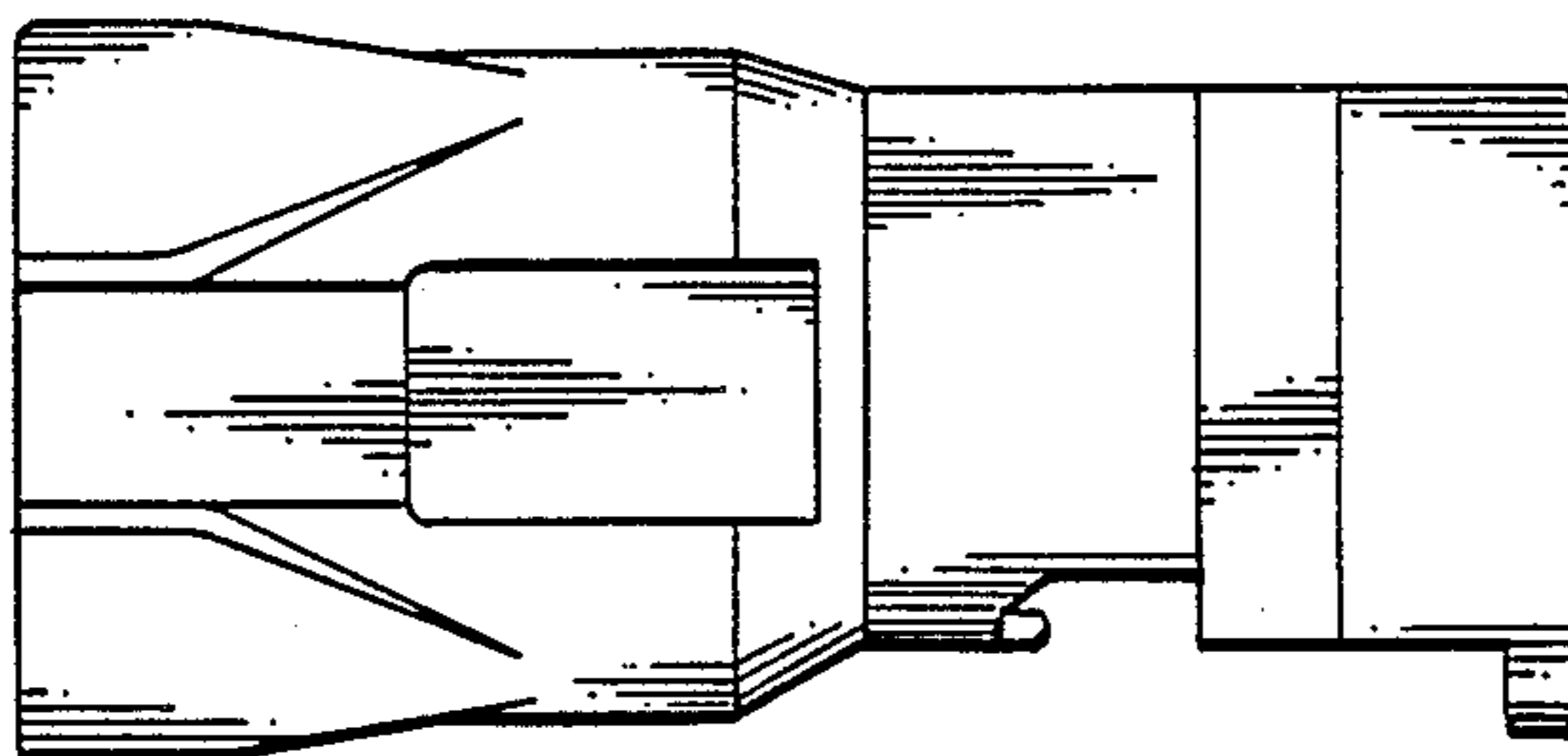


Fig. 6

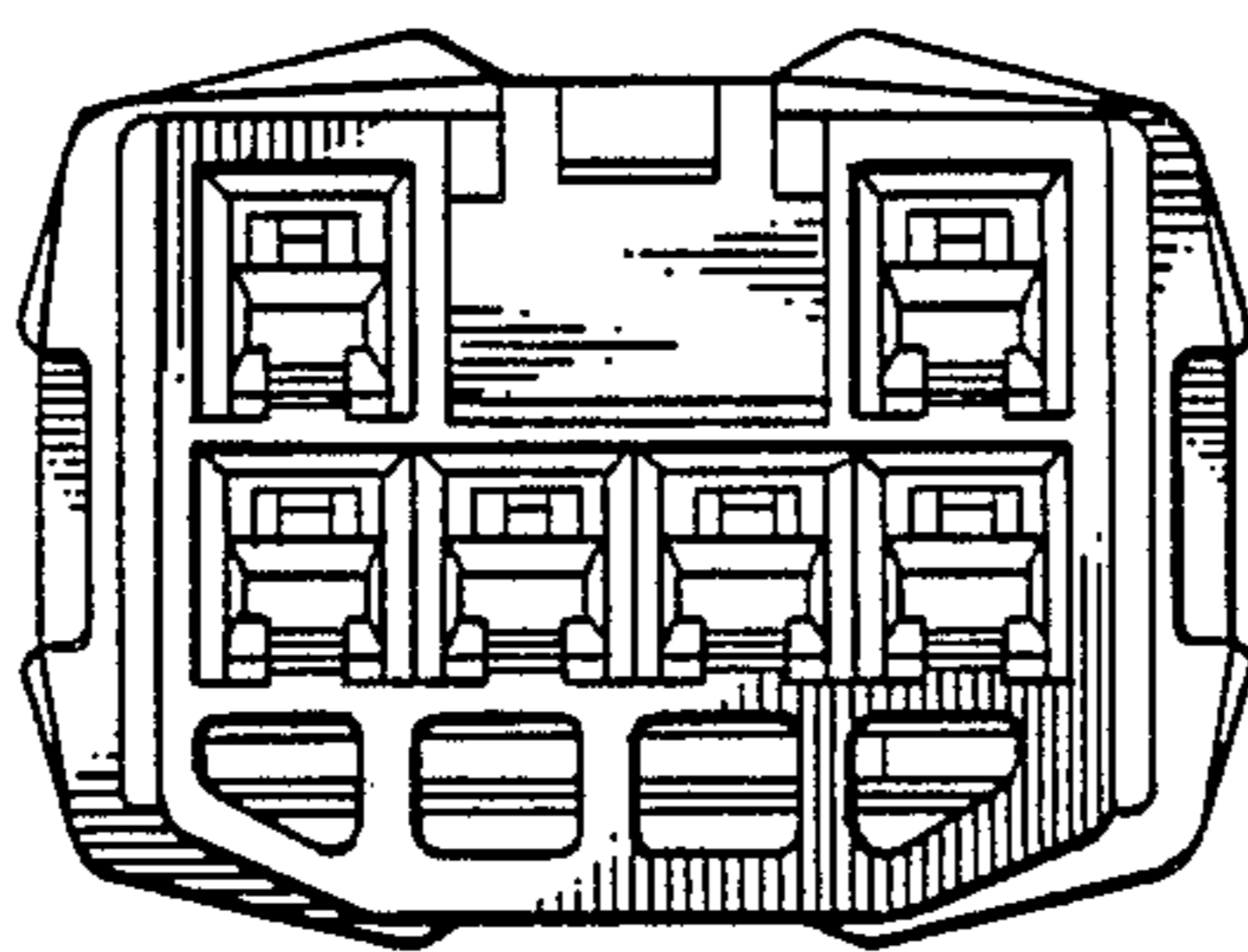


Fig. 7

Fig. 8

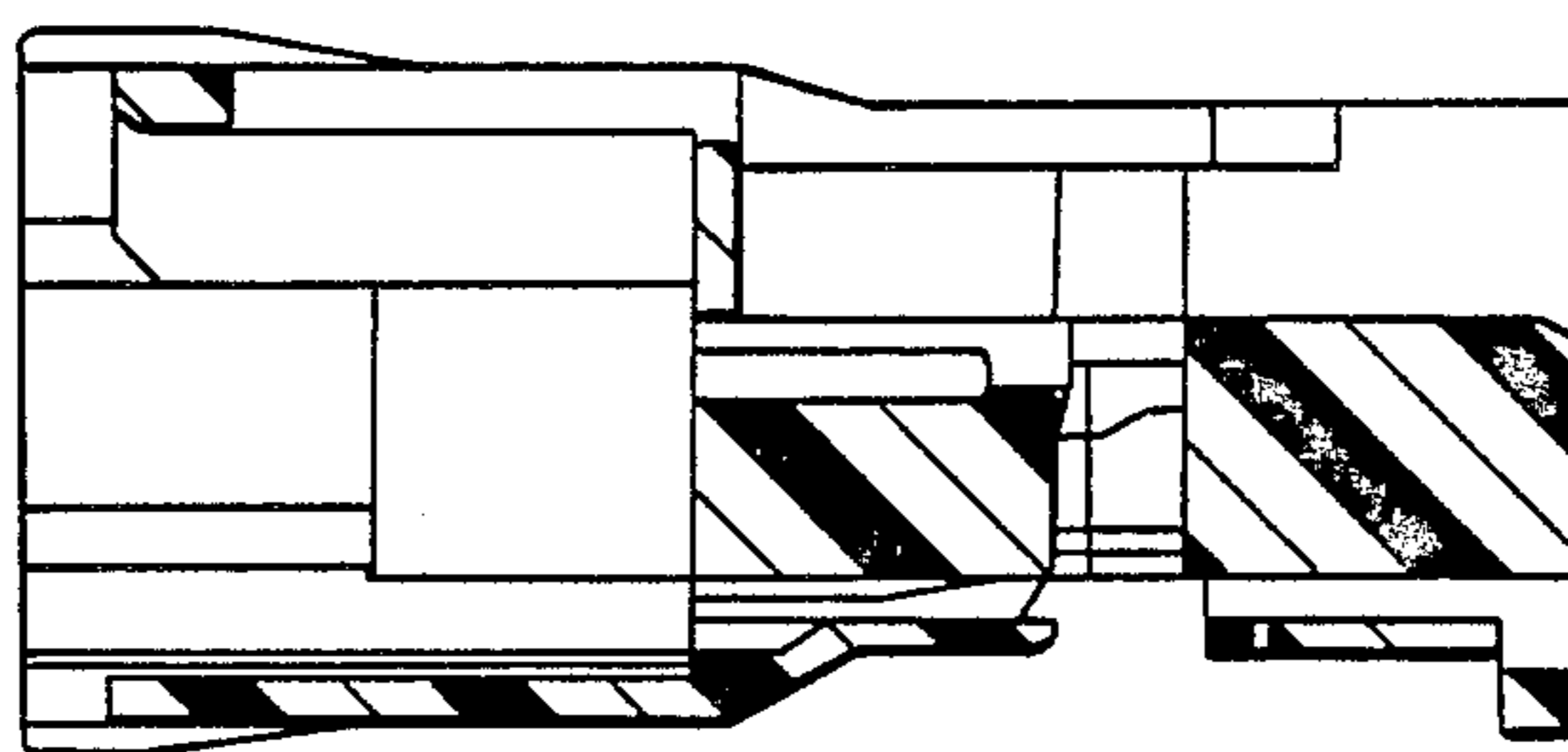


Fig. 9

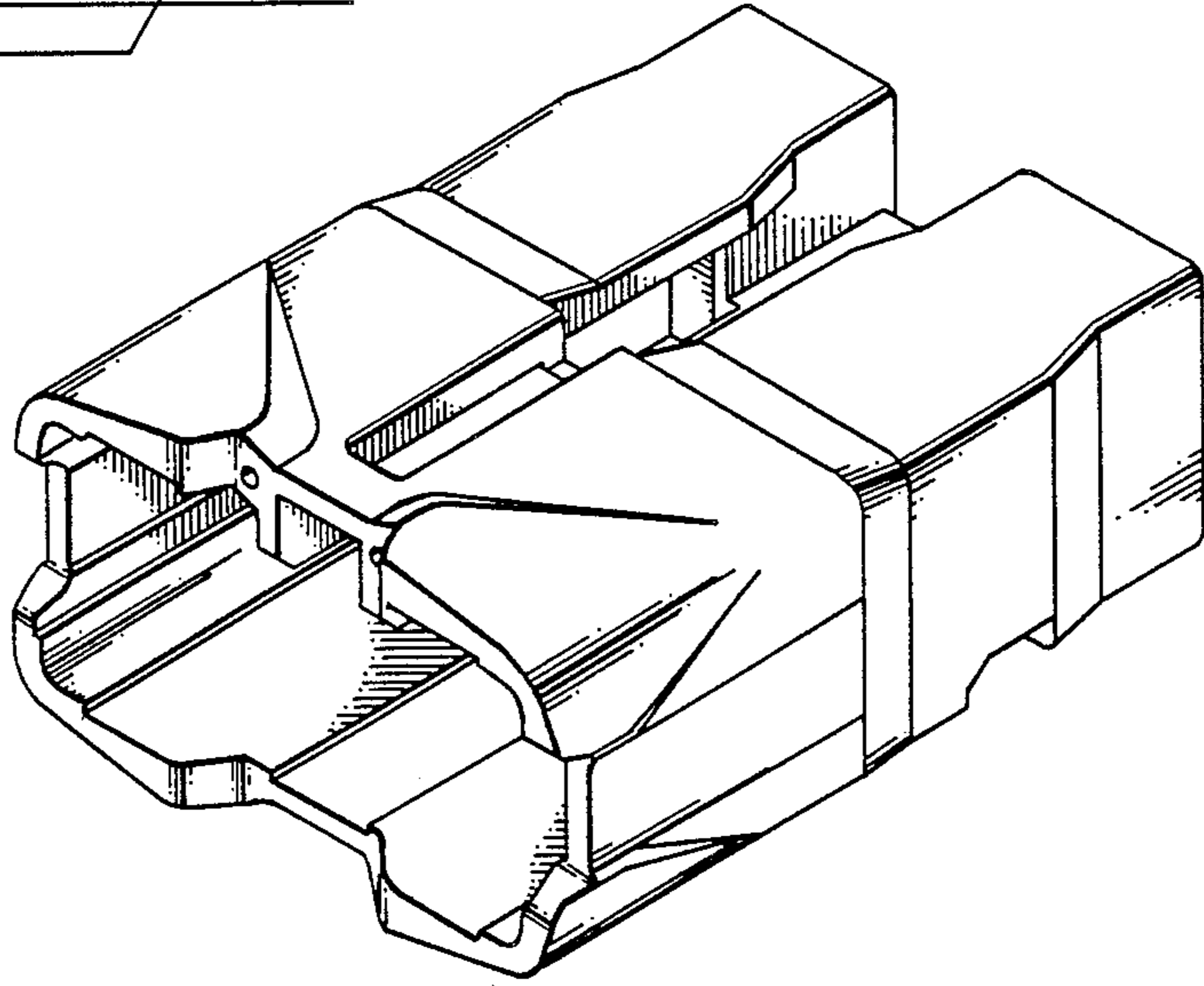
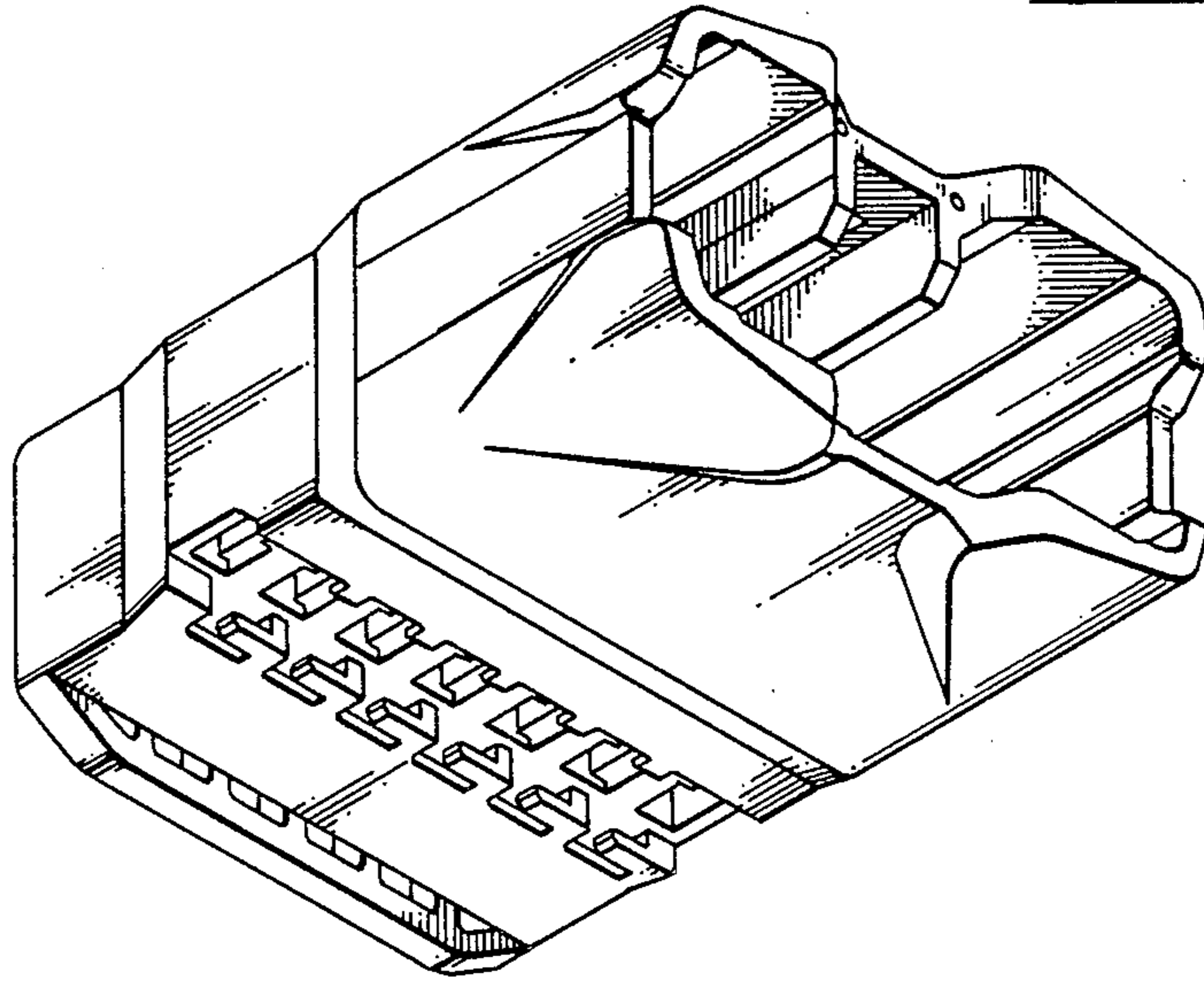


Fig. 10



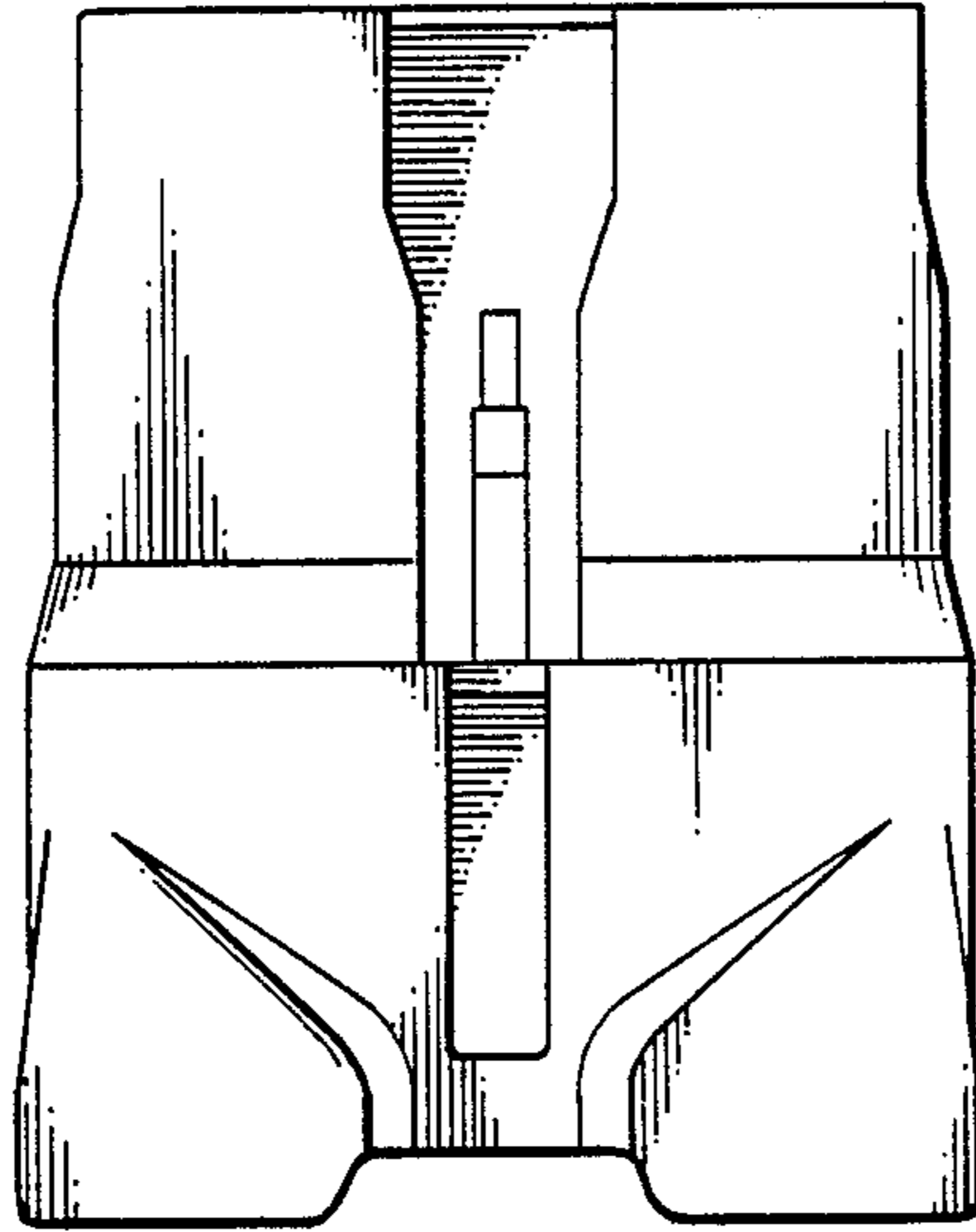


Fig. 11

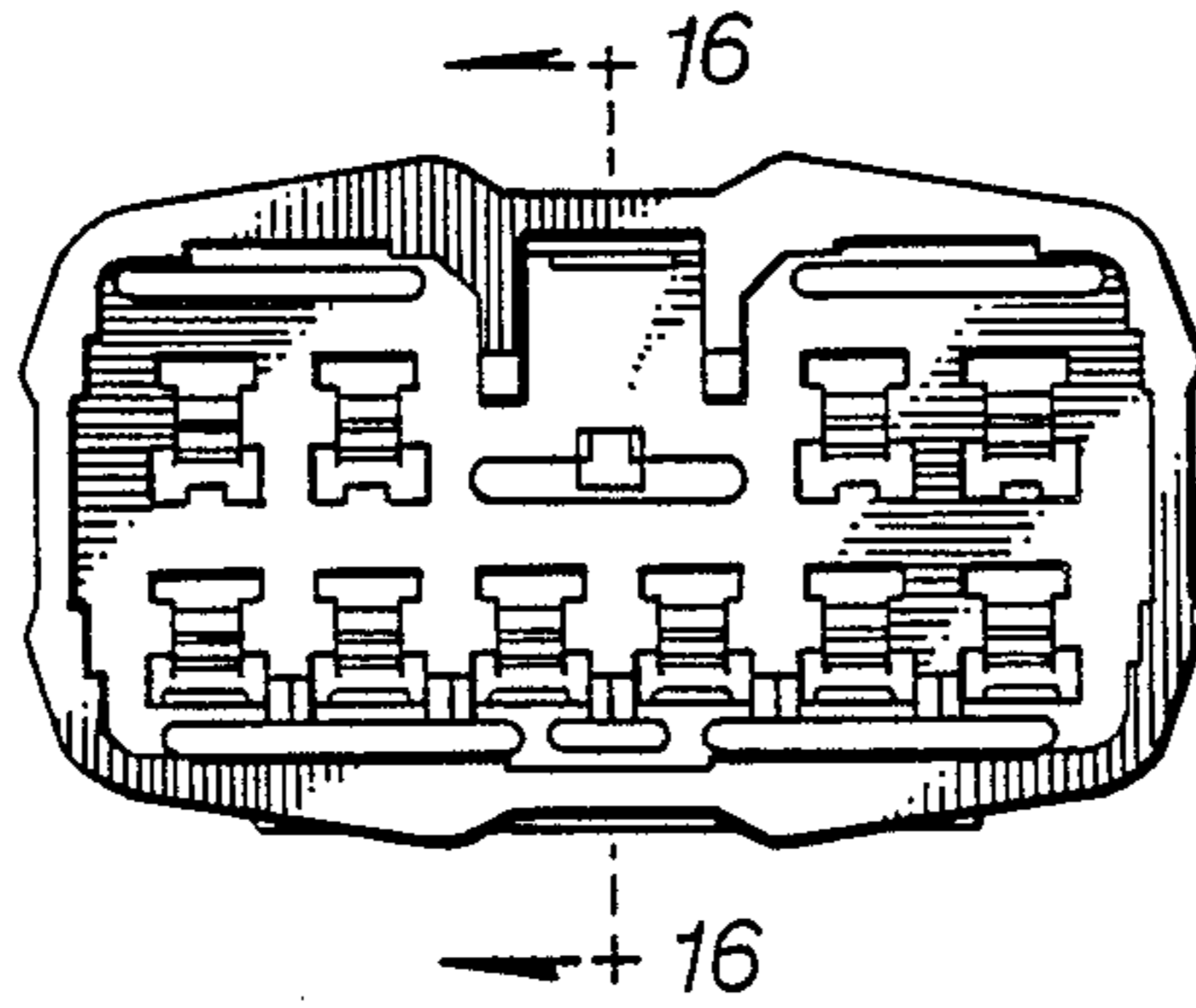


Fig. 12

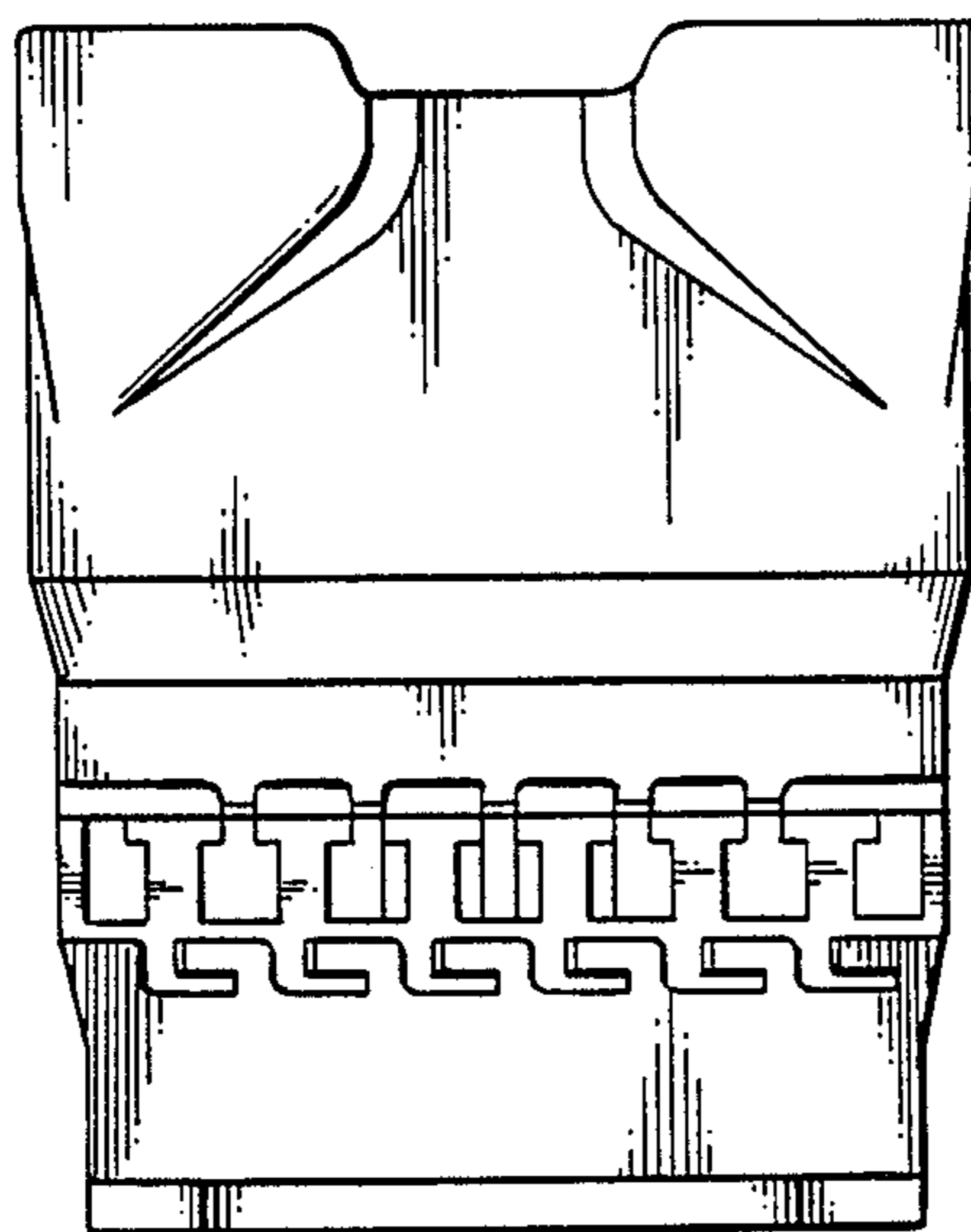


Fig. 13

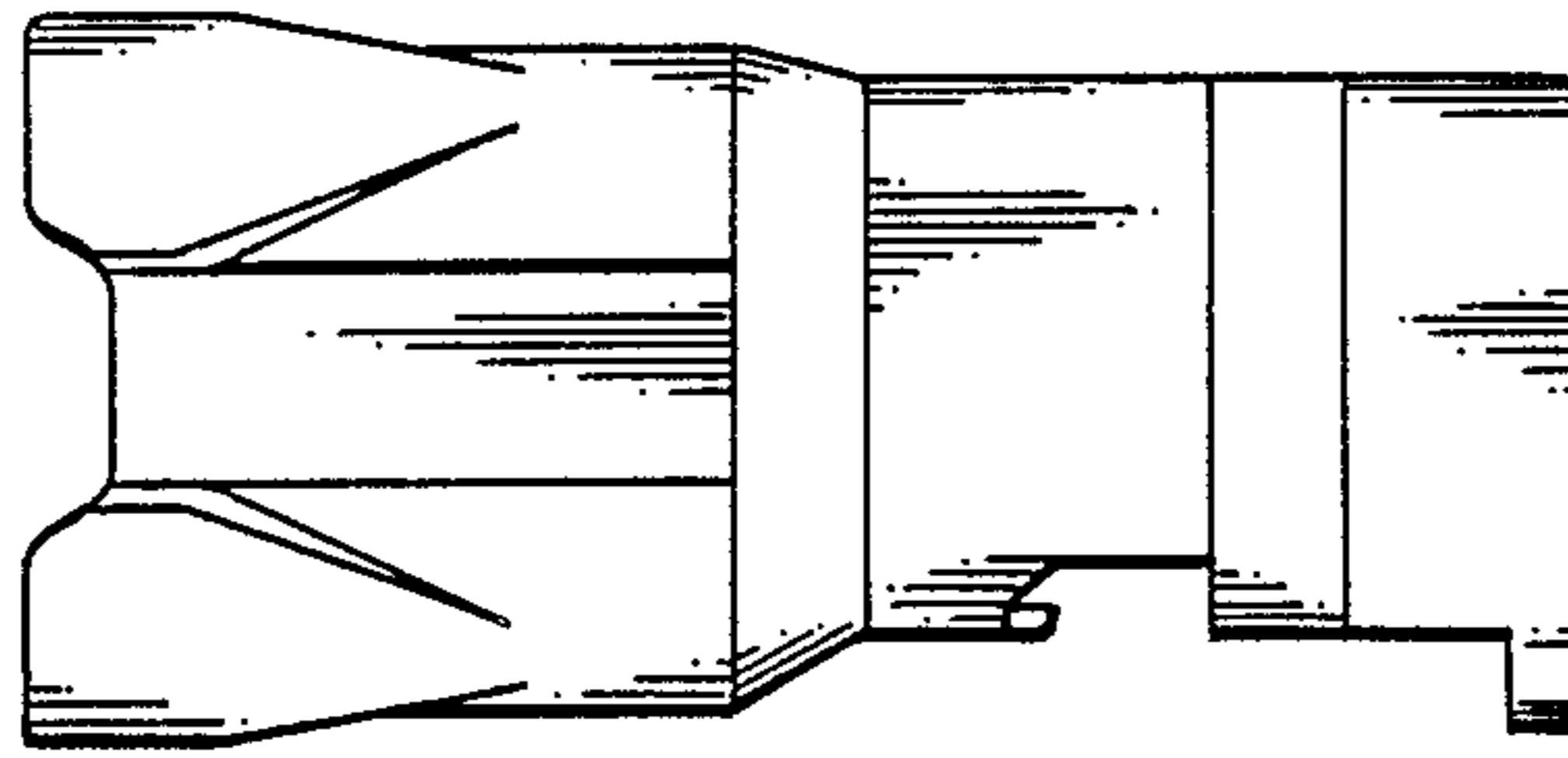


Fig. 14

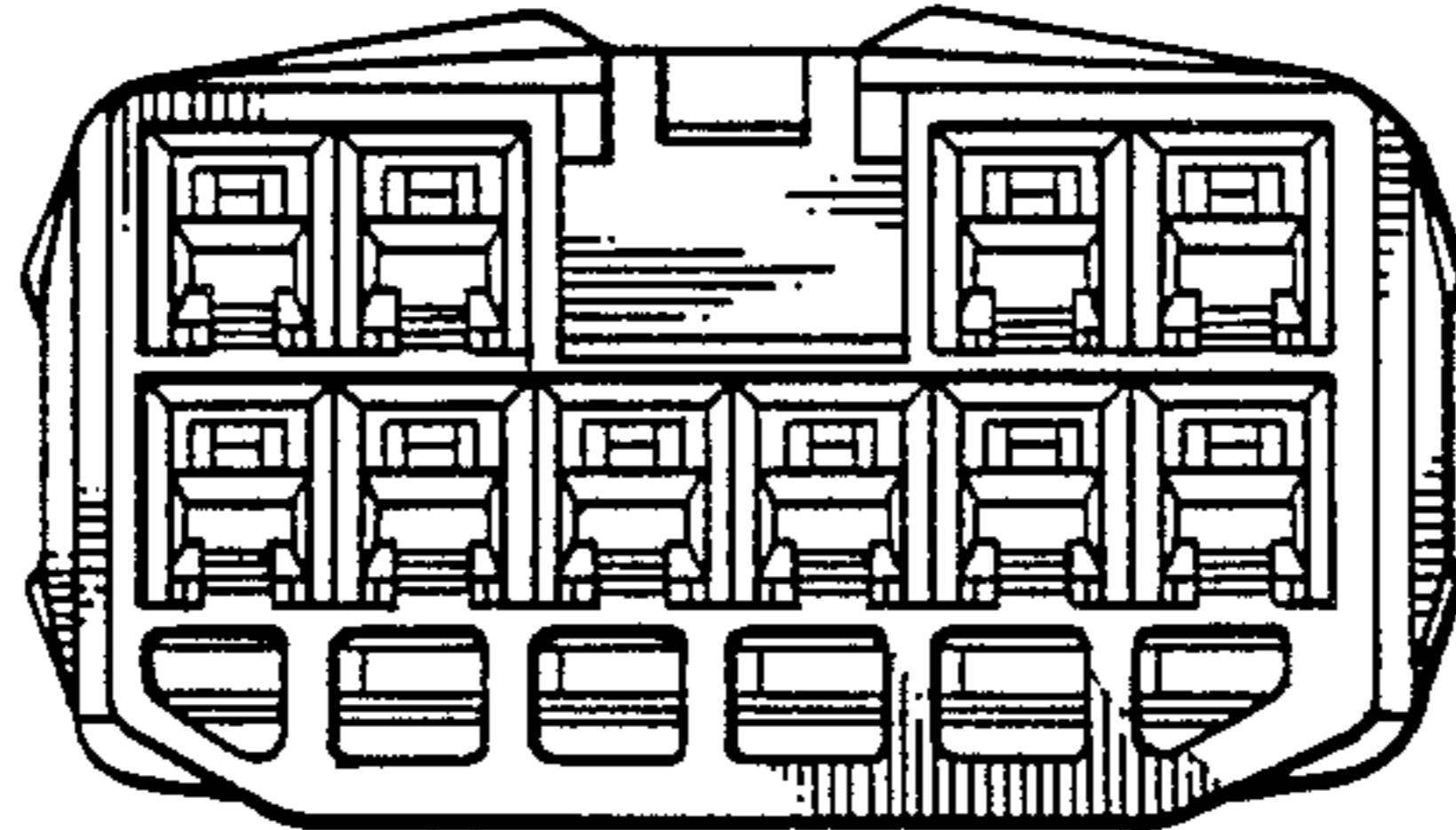


Fig. 15

Fig. 16

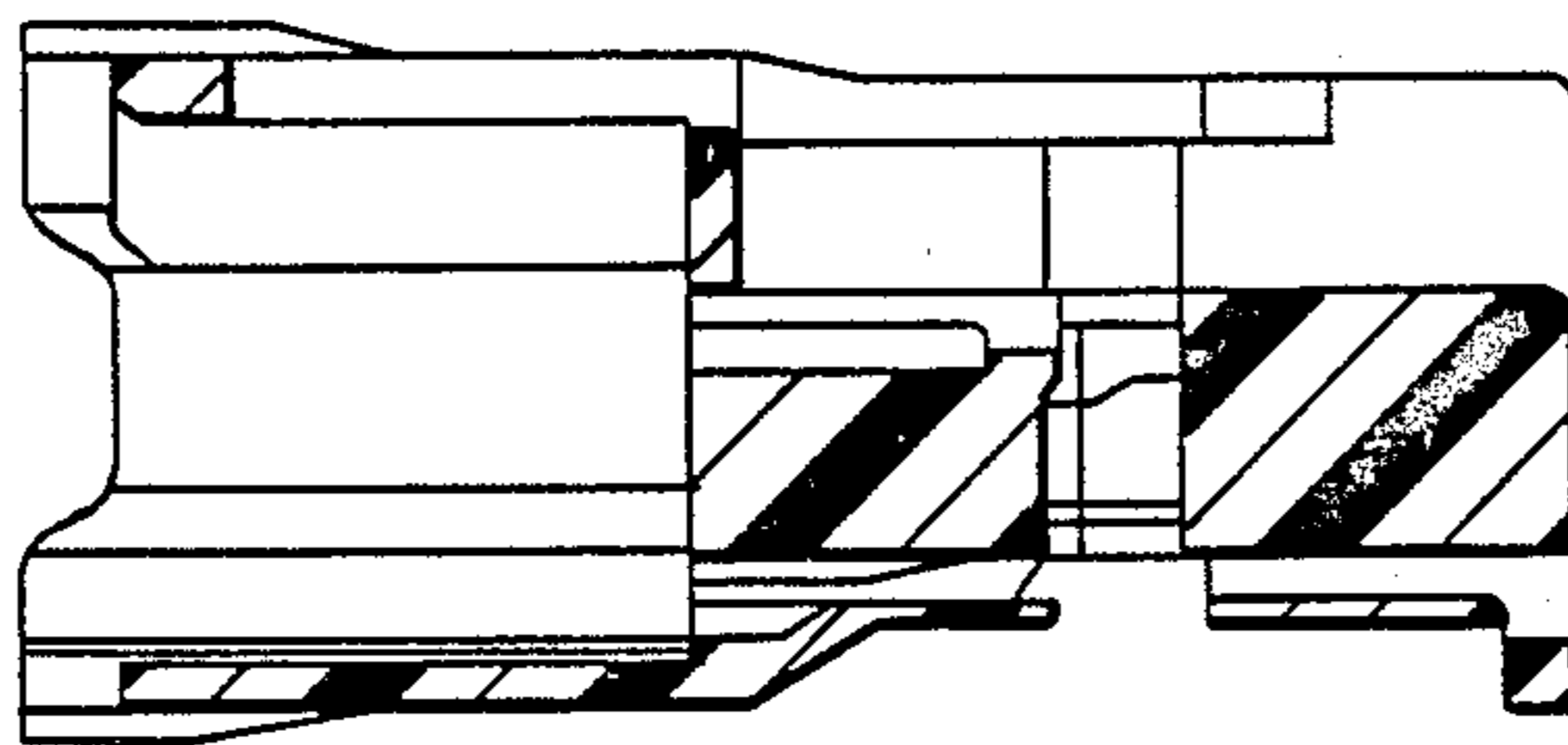


Fig. 17

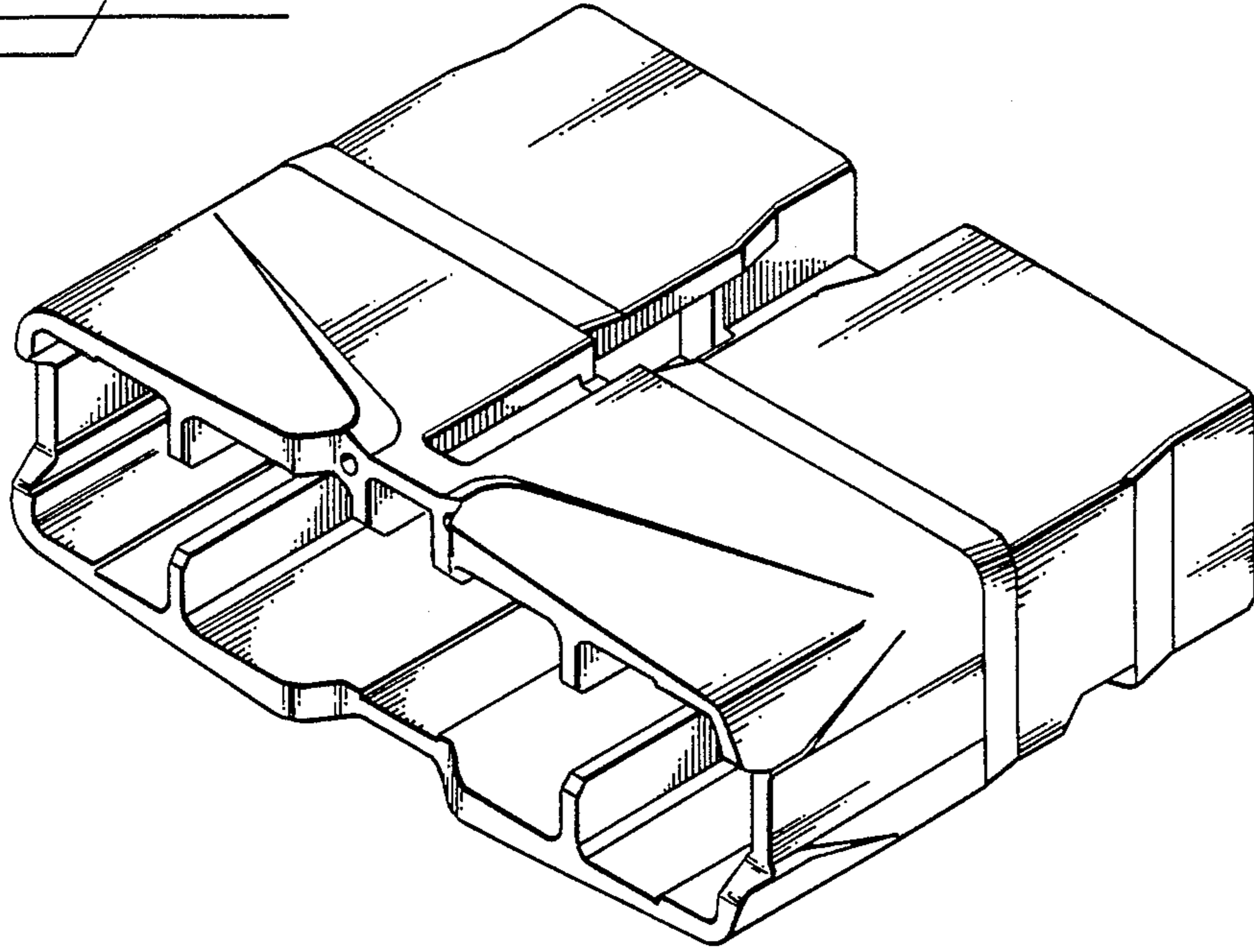
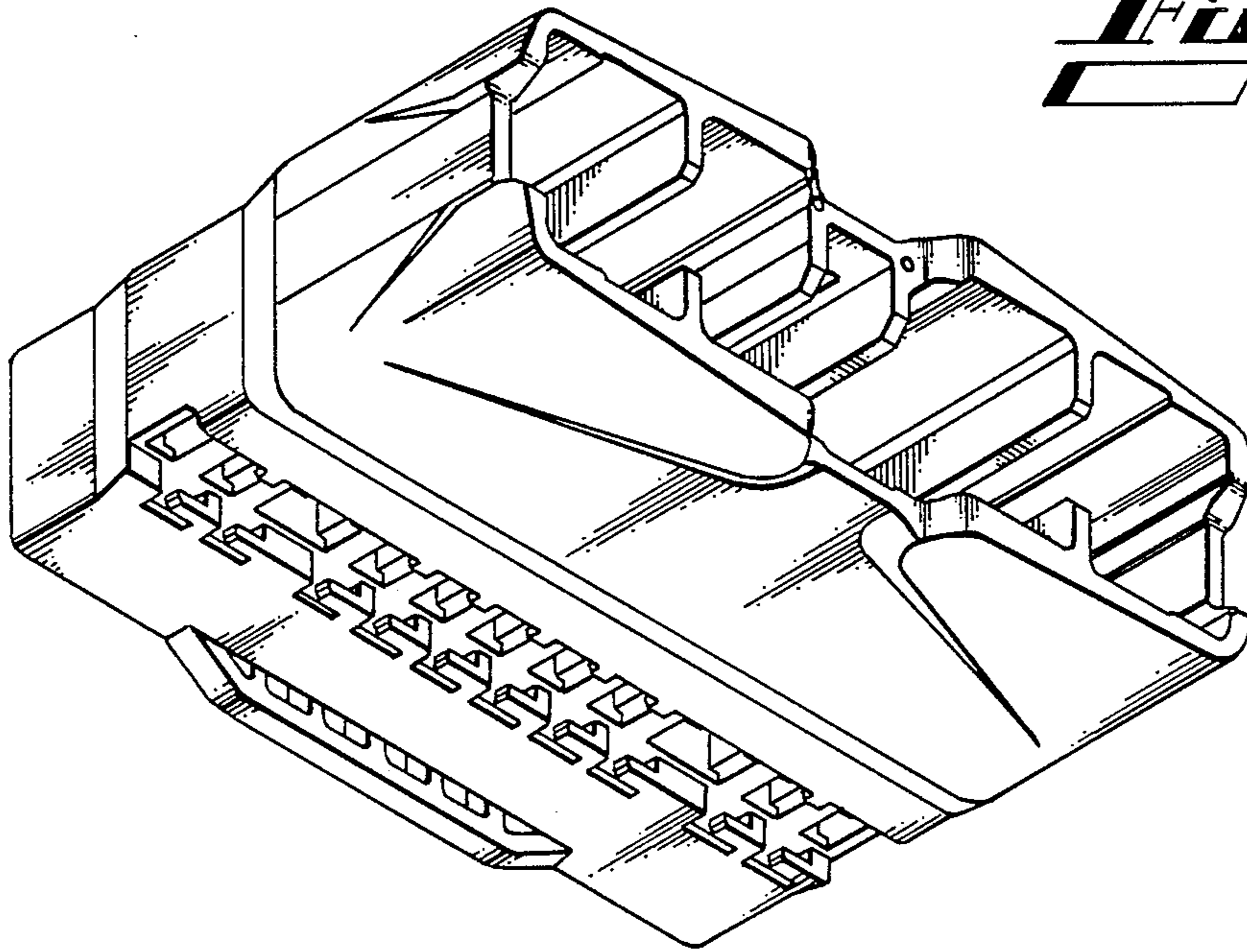


Fig. 18



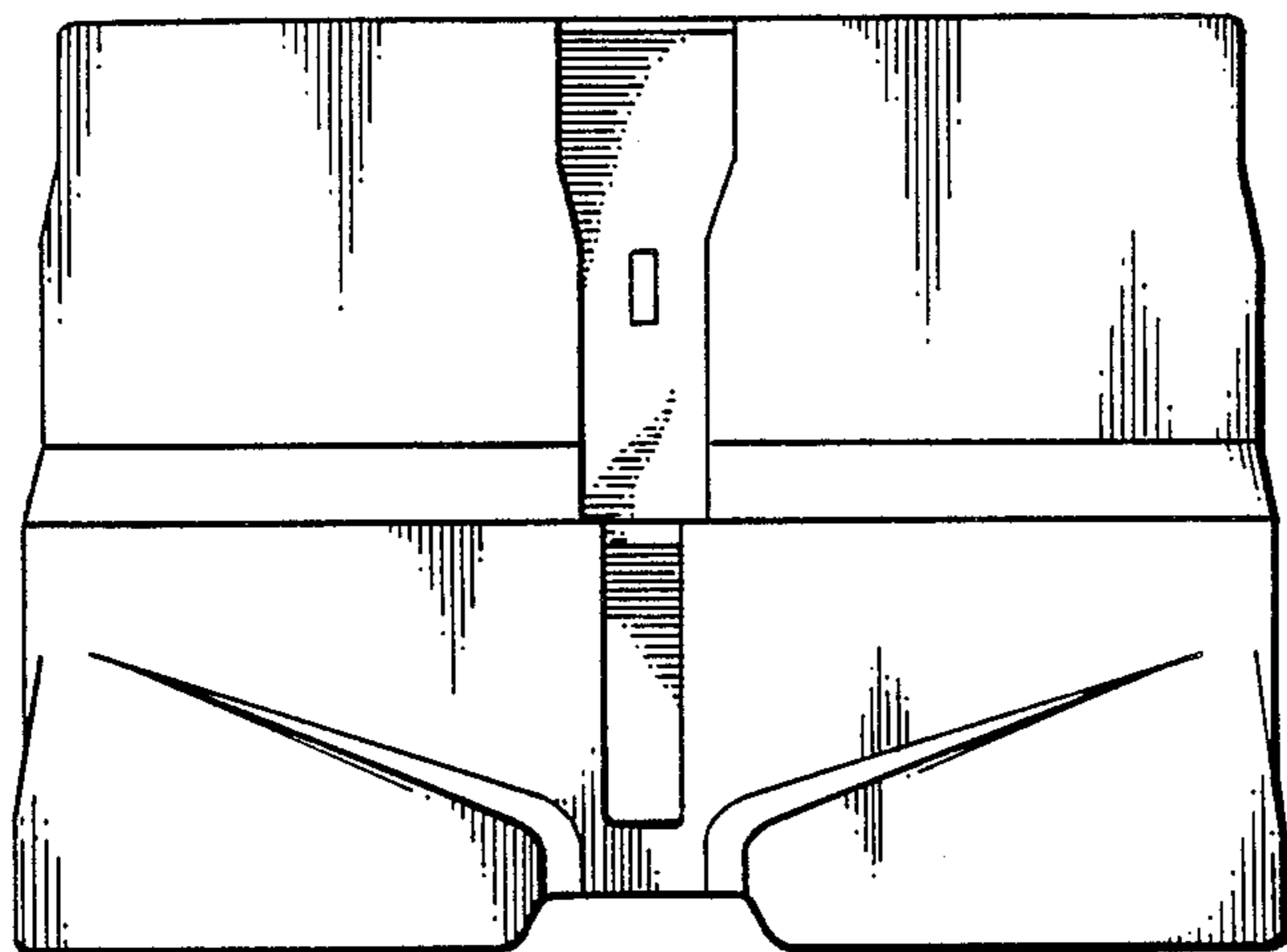


Fig. 19

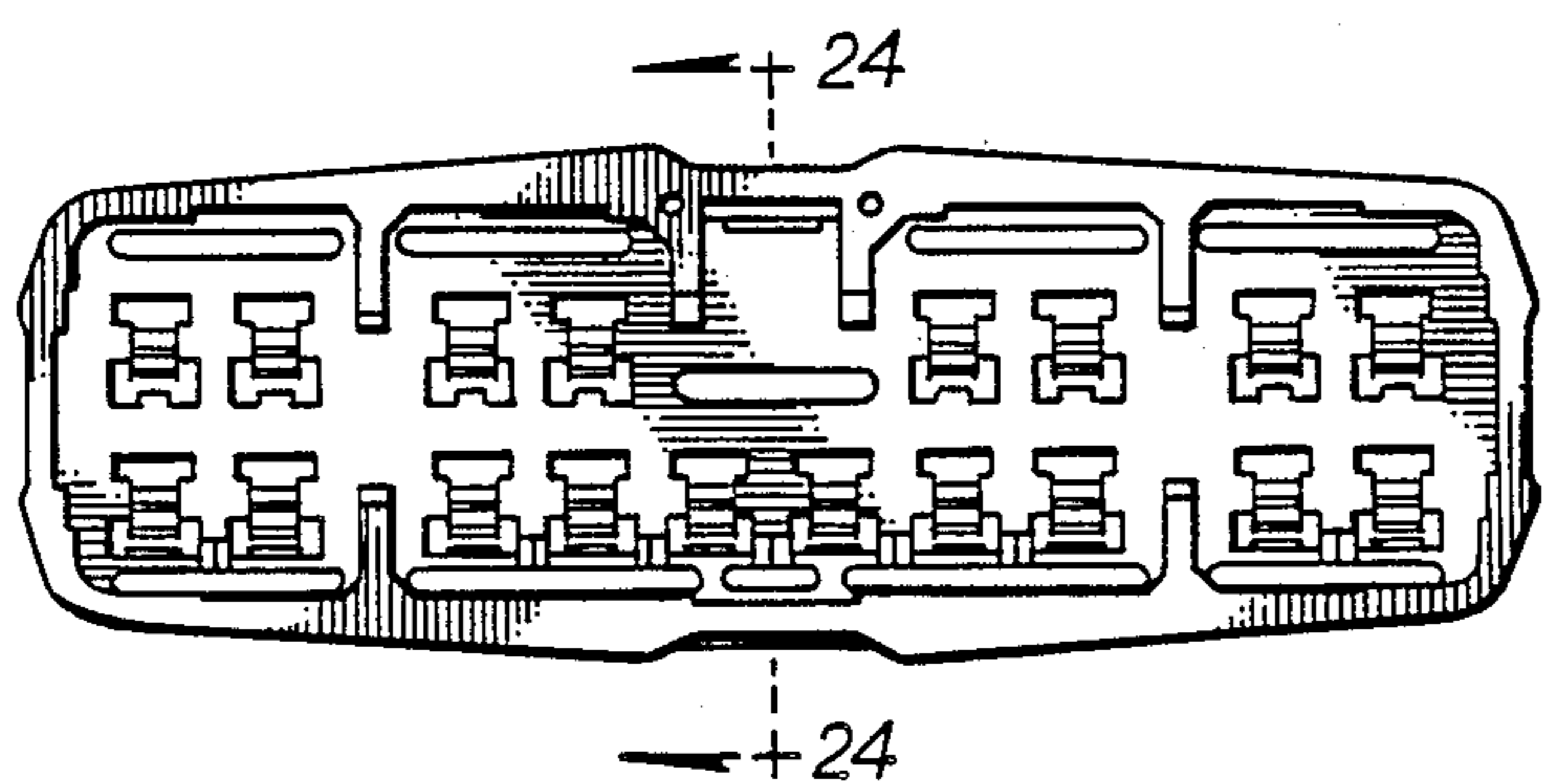


Fig. 20

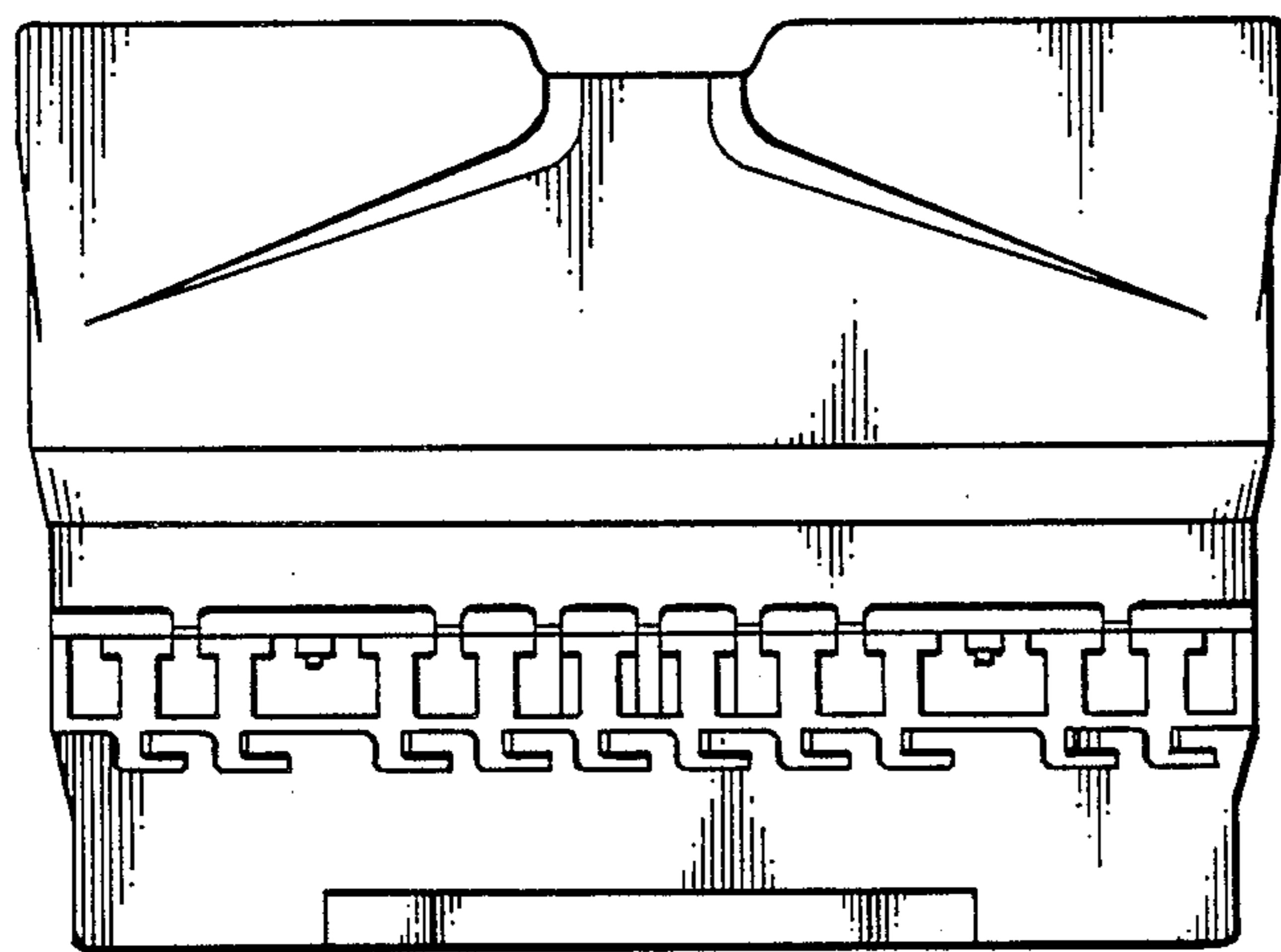


Fig. 21

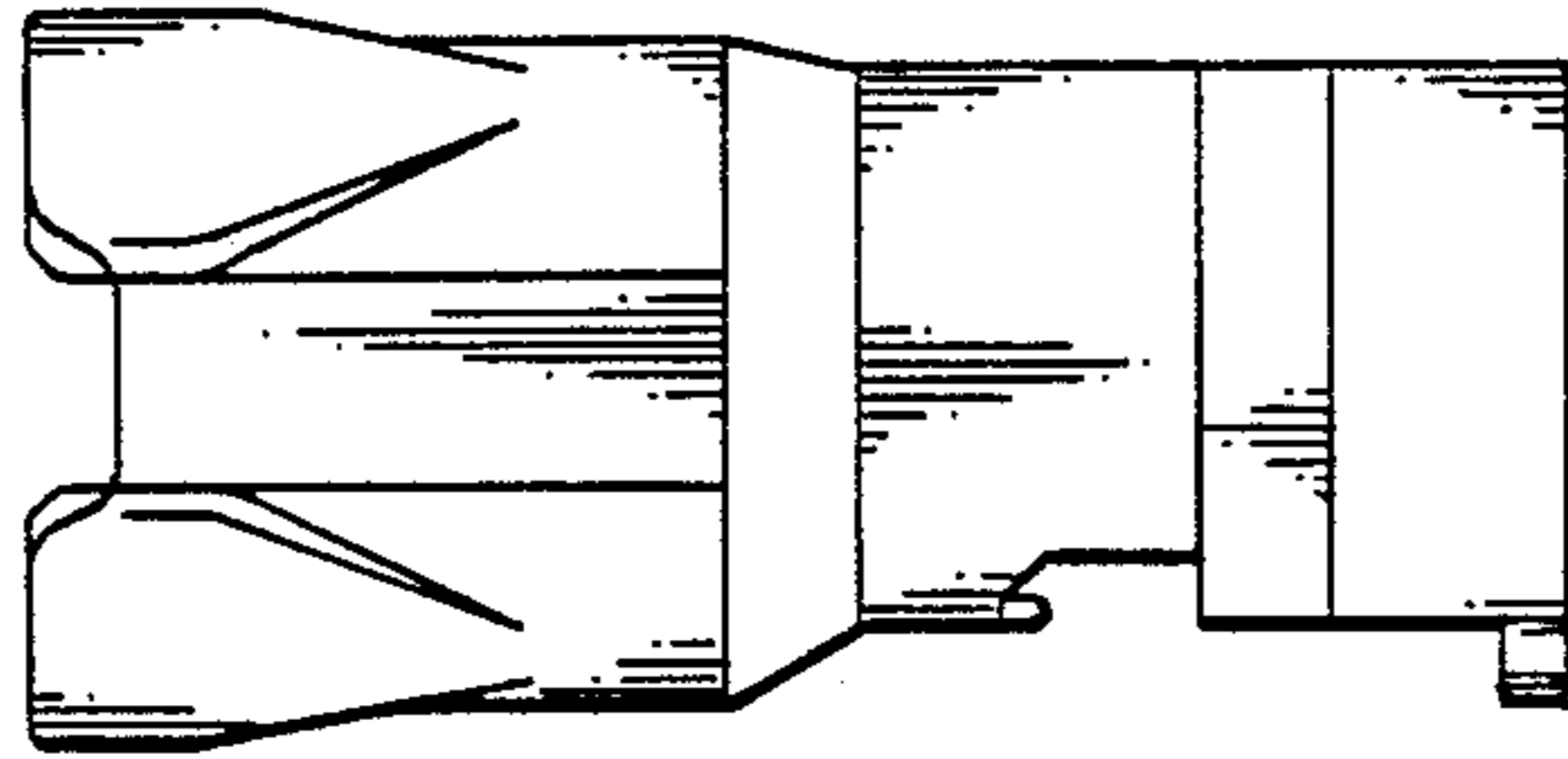


Fig. 22

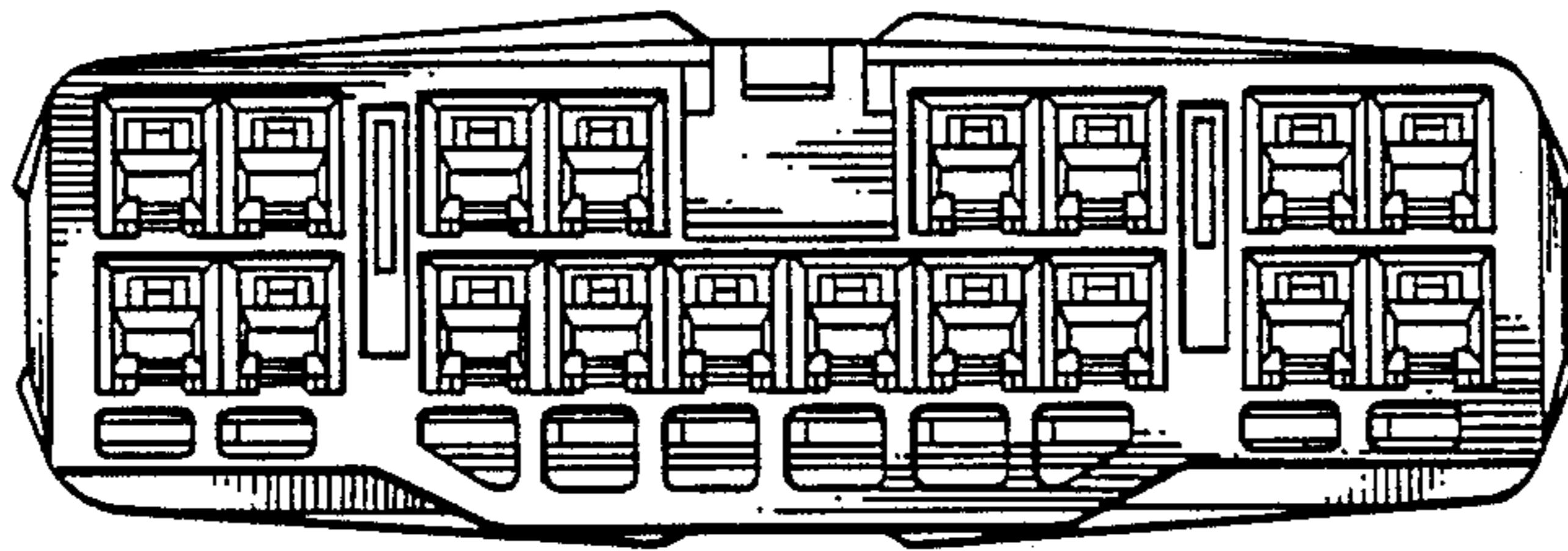


Fig. 23

Fig. 24

