

[54] ADJUSTABLE BATTERY WIDTH AND HEIGHT ADAPTOR

[75] Inventors: Jeffrey A. Morisse, West Bend; Gregg A. Herde, Milwaukee; David W. Saari, South Milwaukee; Edward N. Mrotek, Cedarburg; Thomas J. Dougherty, Waukesha, all of Wis.

[73] Assignee: Johnson Service Company, Milwaukee, Wis.

[\*\*] Term: 14 Years

[21] Appl. No.: 87,756

[22] Filed: Aug. 21, 1987

[52] U.S. Cl. .... D13/119

[58] Field of Search ..... D13/4, 8, 9, 10; 180/68.5; 248/503

[56] References Cited

U.S. PATENT DOCUMENTS

4,327,809 5/1982 Fenstermaker ..... 180/68.5  
4,565,265 1/1986 Valdez ..... 180/68.5

FOREIGN PATENT DOCUMENTS

0607563 10/1960 Canada ..... 429/100

OTHER PUBLICATIONS

J. C. Whitney Battery Hold-Down "D", on p. 170 of Cat. 466C, 1986.

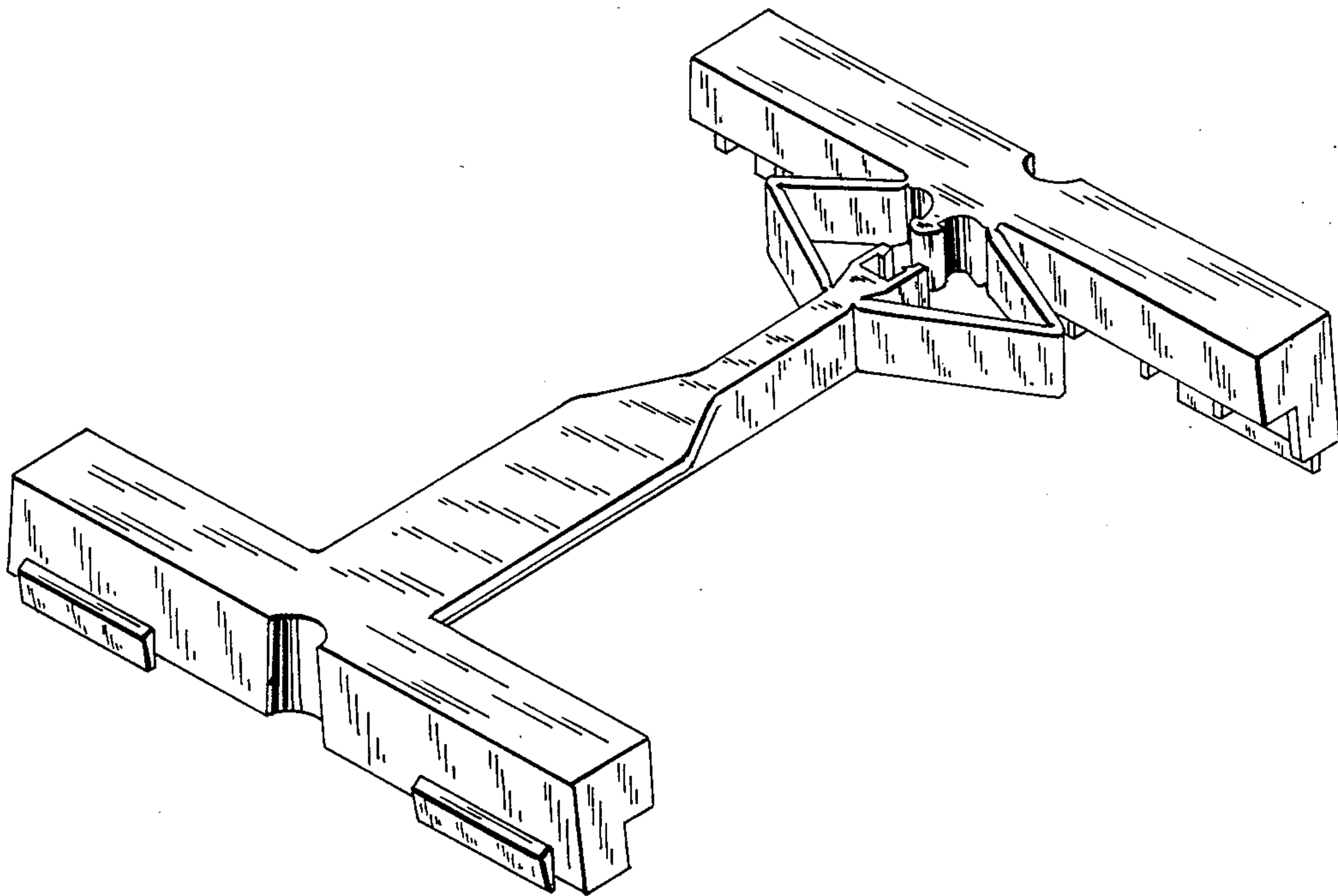
Primary Examiner—James M. Gandy  
Assistant Examiner—Joel Sincavage  
Attorney, Agent, or Firm—E. L. Levine

[57] CLAIM

The ornamental design for an adjustable battery width and height adaptor, as shown and described.

DESCRIPTION

FIG. 1 is a bottom plan view of an adjustable battery width and height adaptor showing our new design; FIG. 2 is a front elevational view thereof; FIG. 3 is a top plan view thereof; FIG. 4 is an end elevational view thereof, the opposite end elevational view being a mirror image; FIG. 5 is a bottom perspective view thereof; FIG. 6 is a top perspective view thereof.



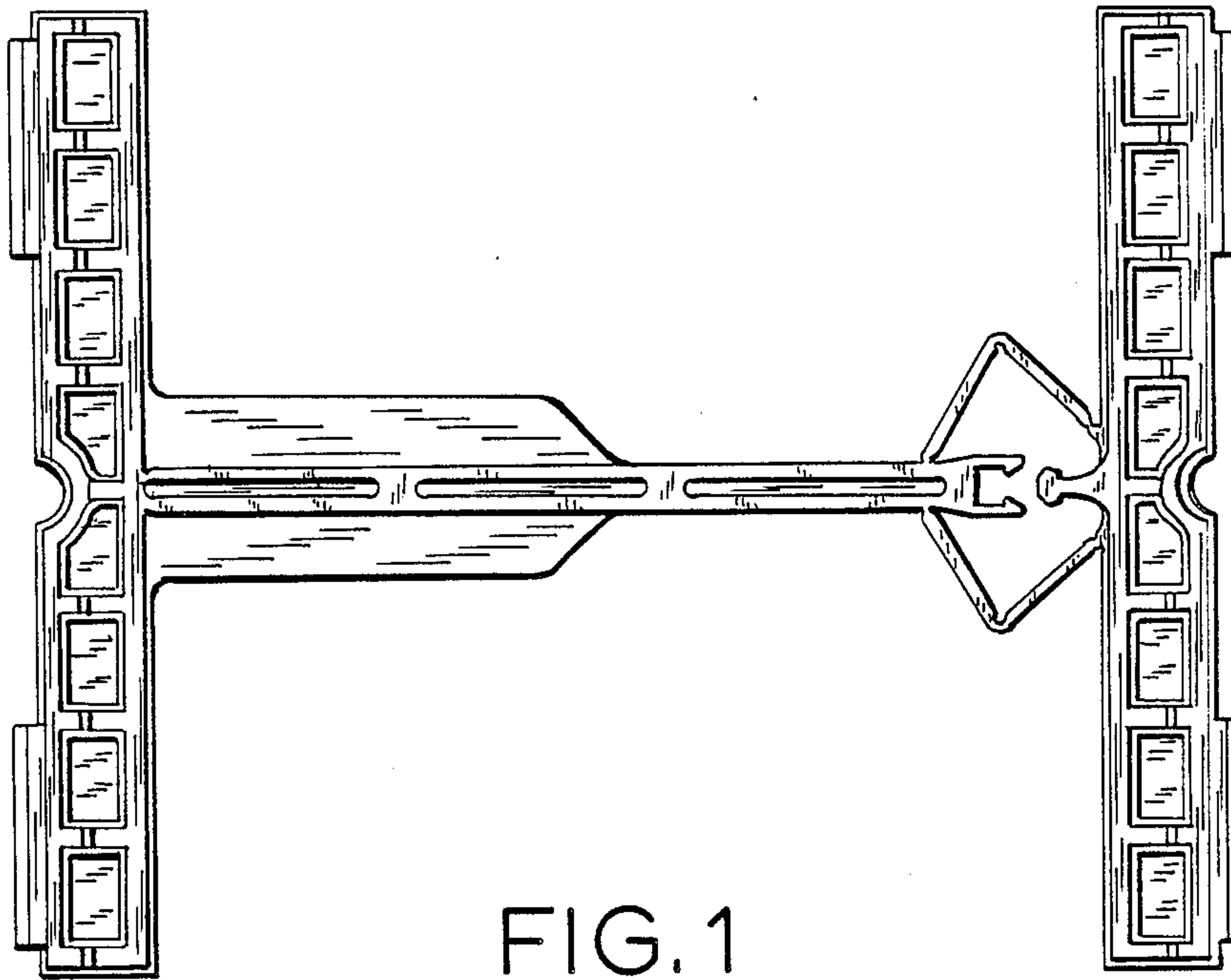


FIG. 1

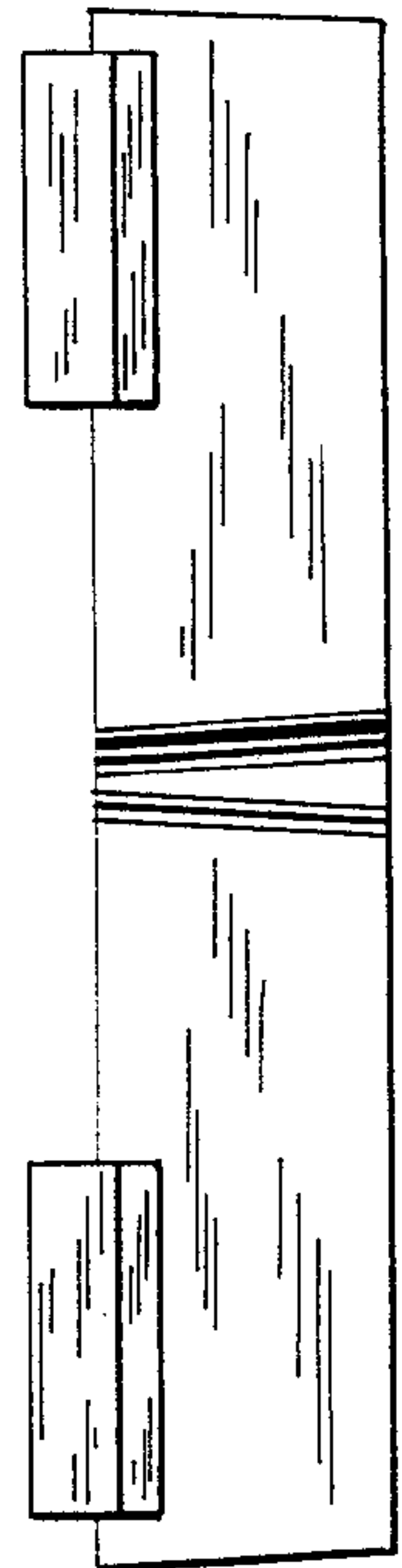


FIG. 4

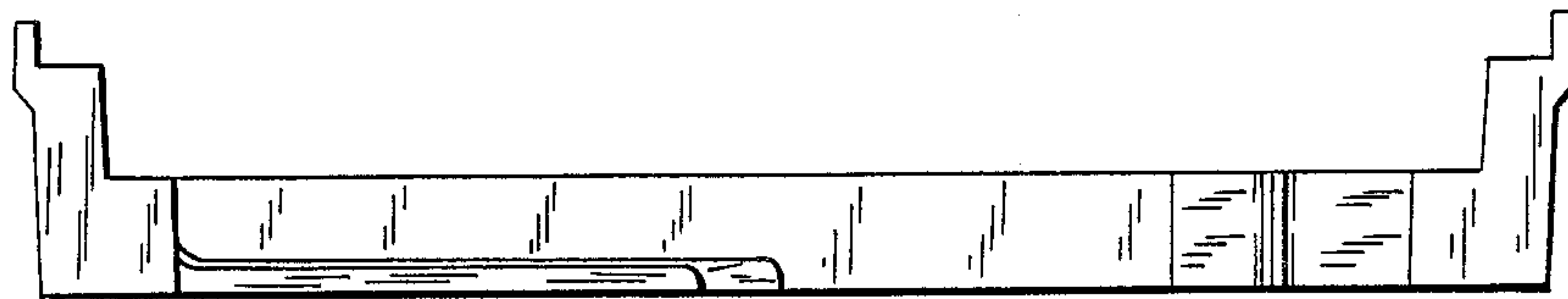


FIG. 2

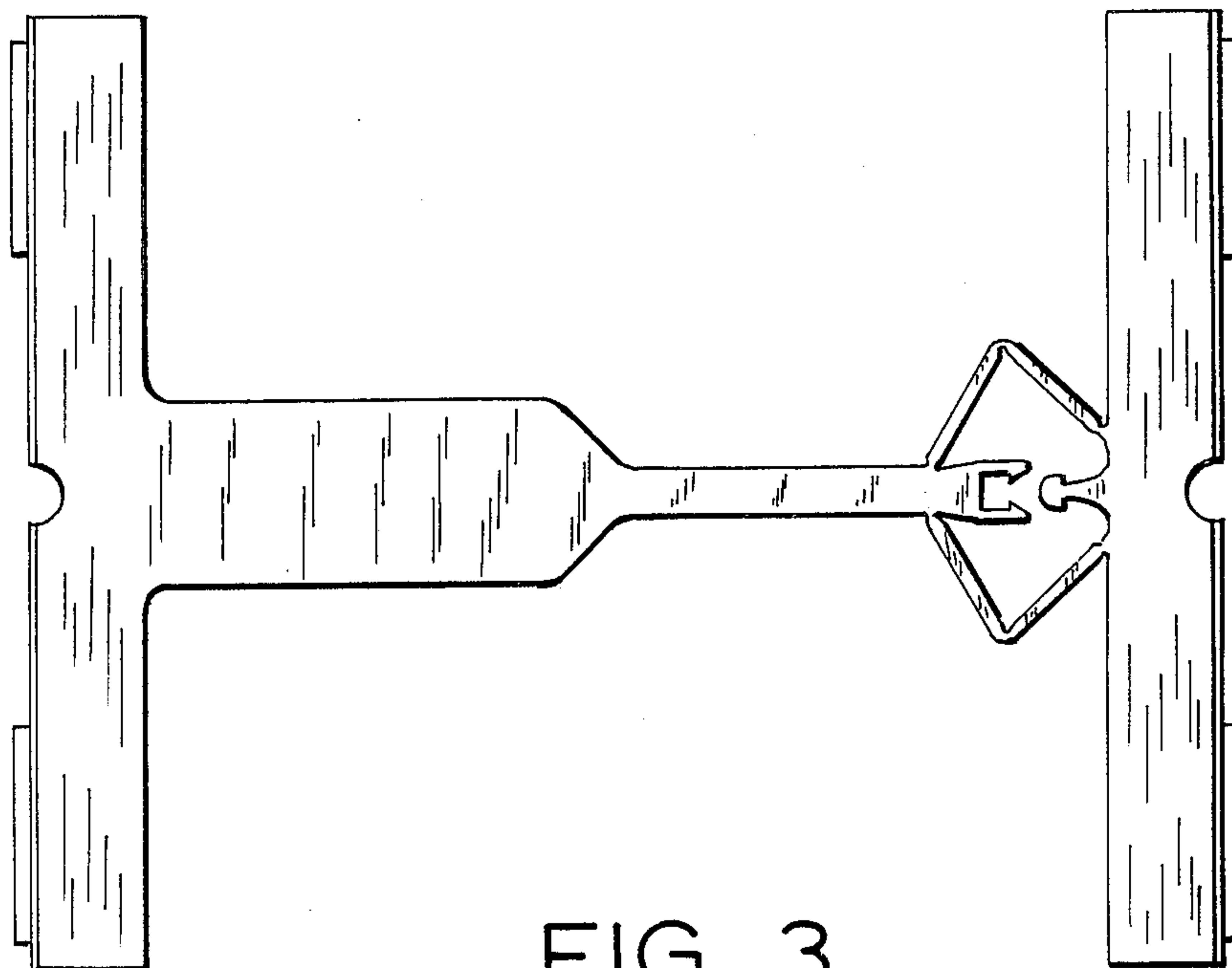


FIG. 3

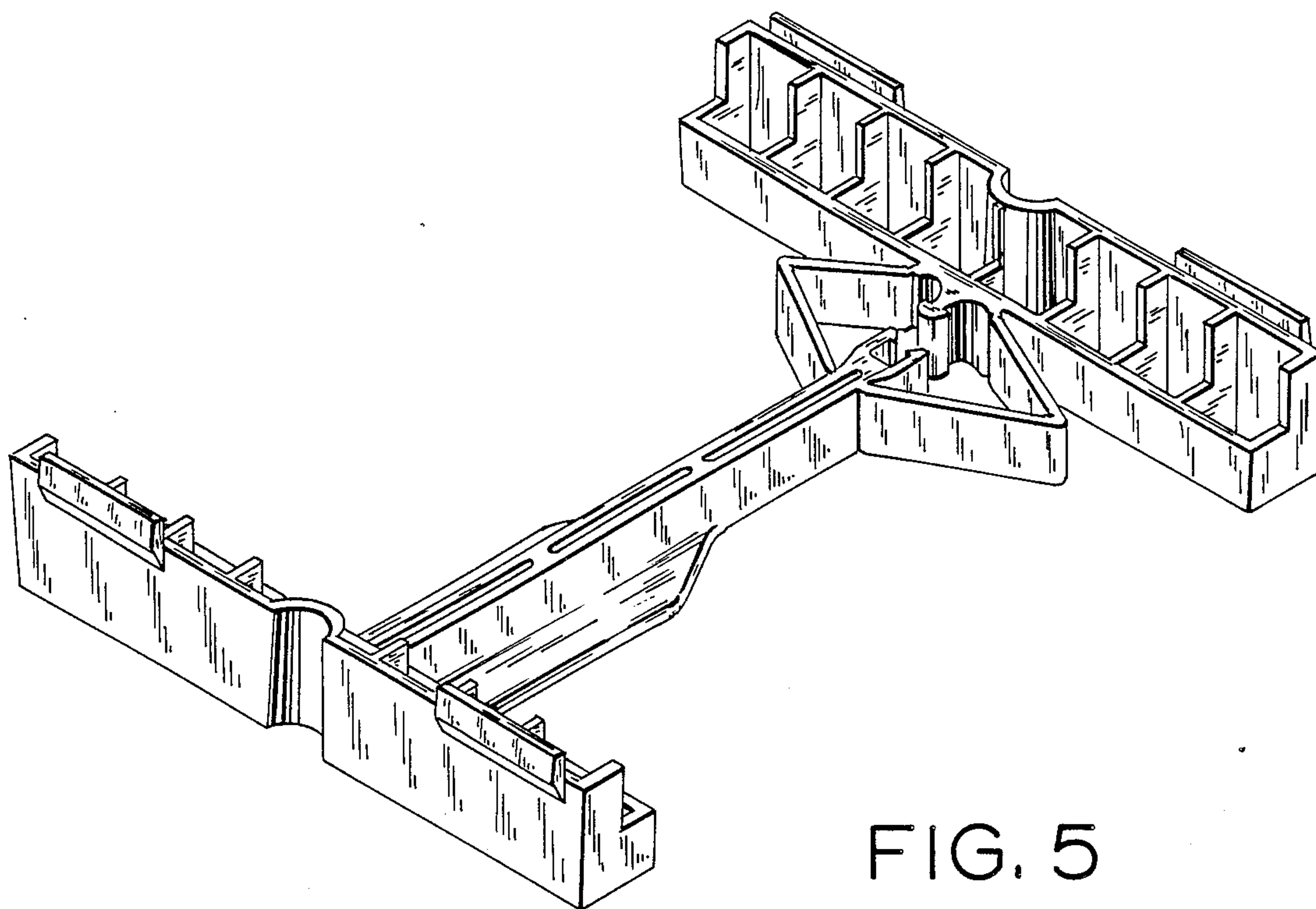


FIG. 5

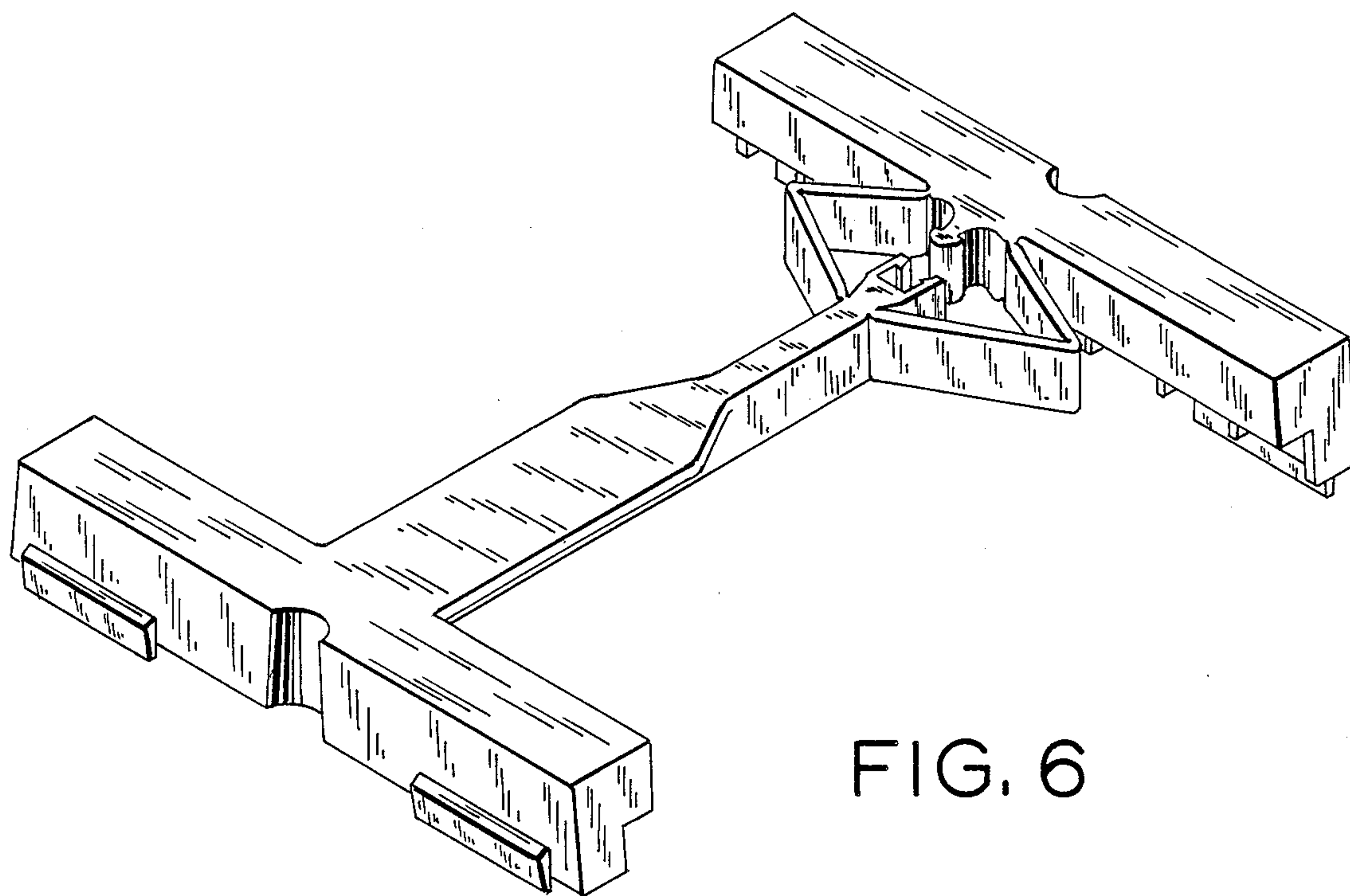


FIG. 6