

[54] **JET AIRCRAFT WITH CIRCULAR HOLLOW WINGS**

[76] **Inventor: Brian H. Park, 204-1 Rockledge Pl., Huntsville, Ala. 35806**

[\*\*] **Term: 14 Years**

[21] **Appl. No.: 34,575**

[22] **Filed: Apr. 6, 1987**

[52] **U.S. Cl. .... D12/331; D12/319**

[58] **Field of Search .... D12/319, 325, 331; 244/13, 45 R**

[56] **References Cited**

**U.S. PATENT DOCUMENTS**

3,834,654 9/1974 Miranda ..... D12/331  
4,044,972 8/1977 Anker-Holth ..... 244/13

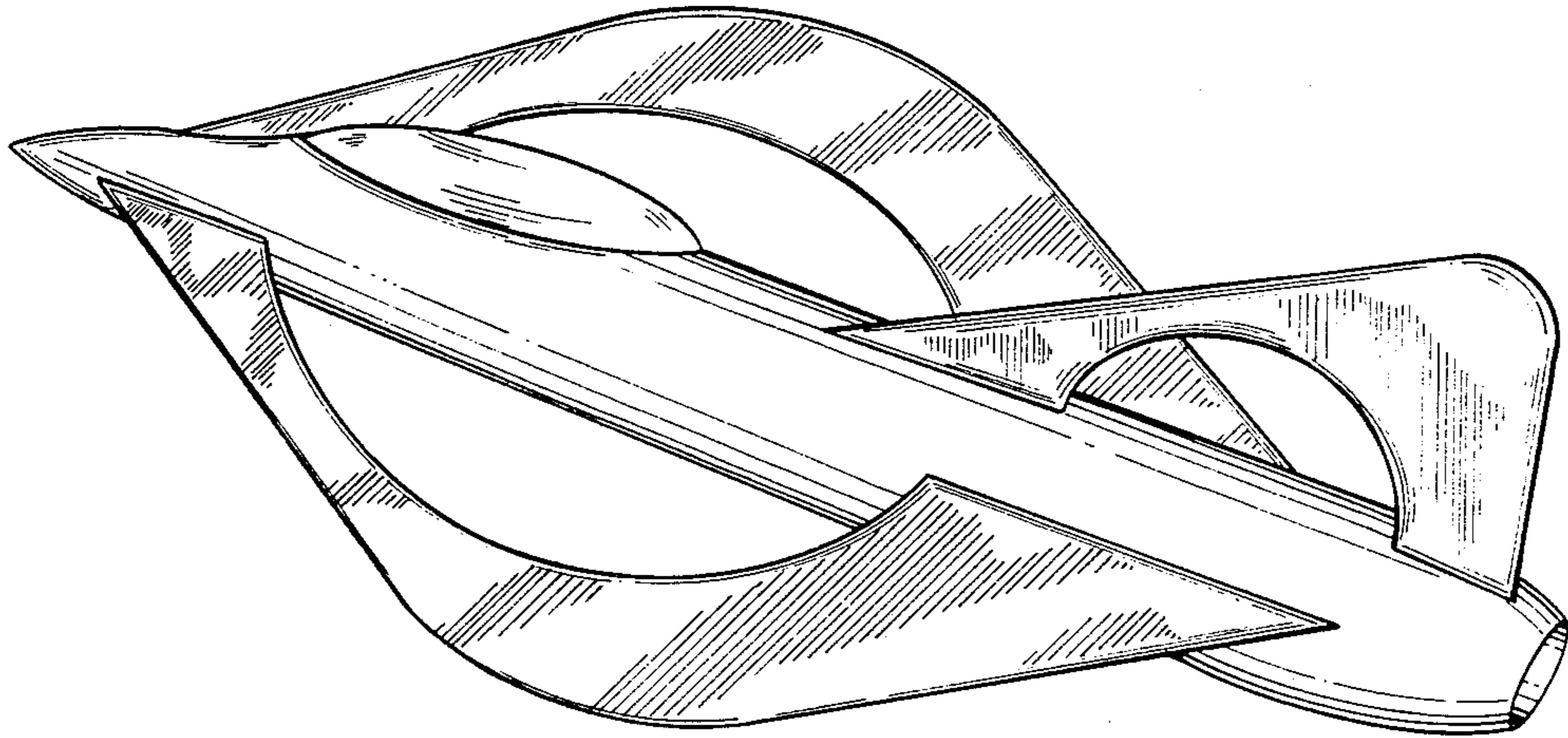
*Primary Examiner*—Kay H. Chin  
*Attorney, Agent, or Firm*—Peter R. Bahn

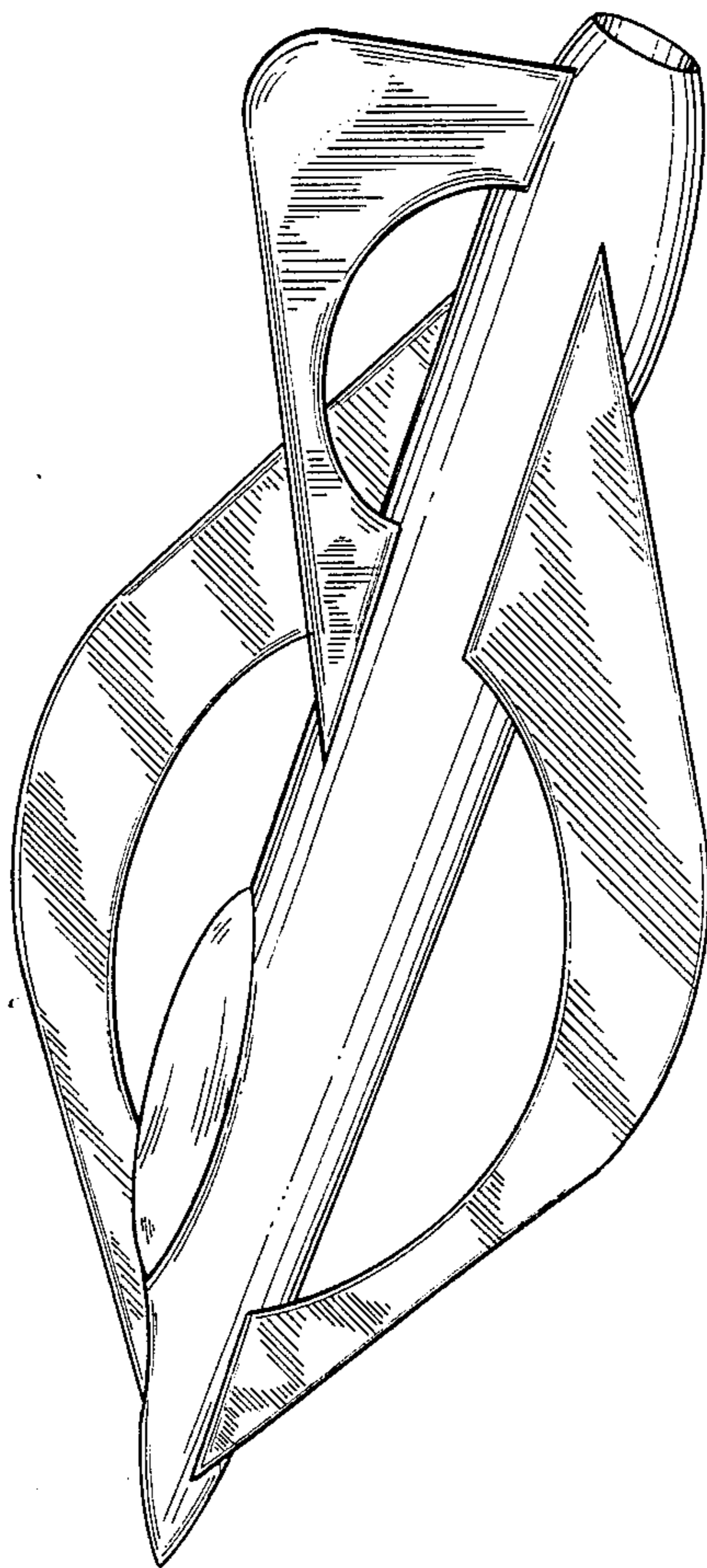
[57] **CLAIM**

The ornamental design for a jet aircraft with circular hollow wings, as shown and described.

**DESCRIPTION**

FIG. 1 is a side and top perspective view of a jet aircraft with circular hollow wings showing my new design; FIG. 2 is a top plan view thereof; FIG. 3 is a side elevational view thereof; FIG. 4 is a rear elevational view thereof; and FIG. 5 is a bottom plan view thereof.





*FIG. 1*

FIG. 2

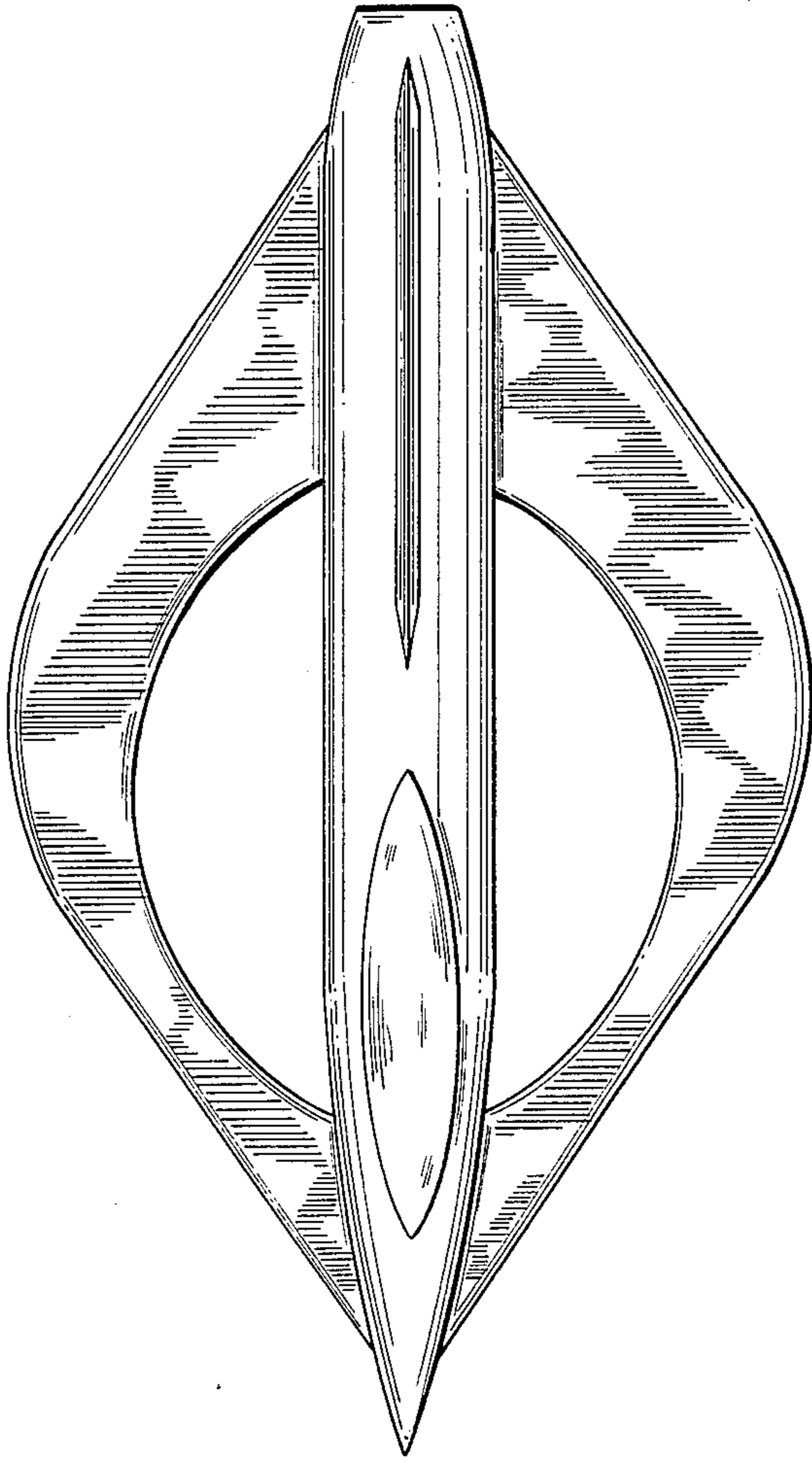
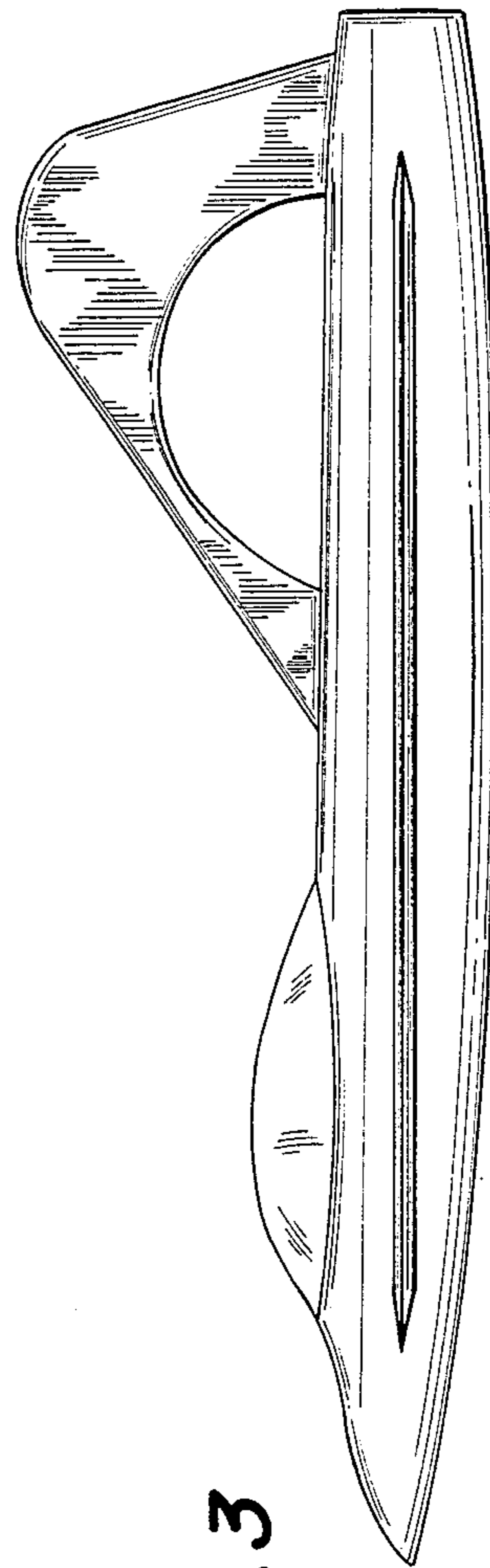
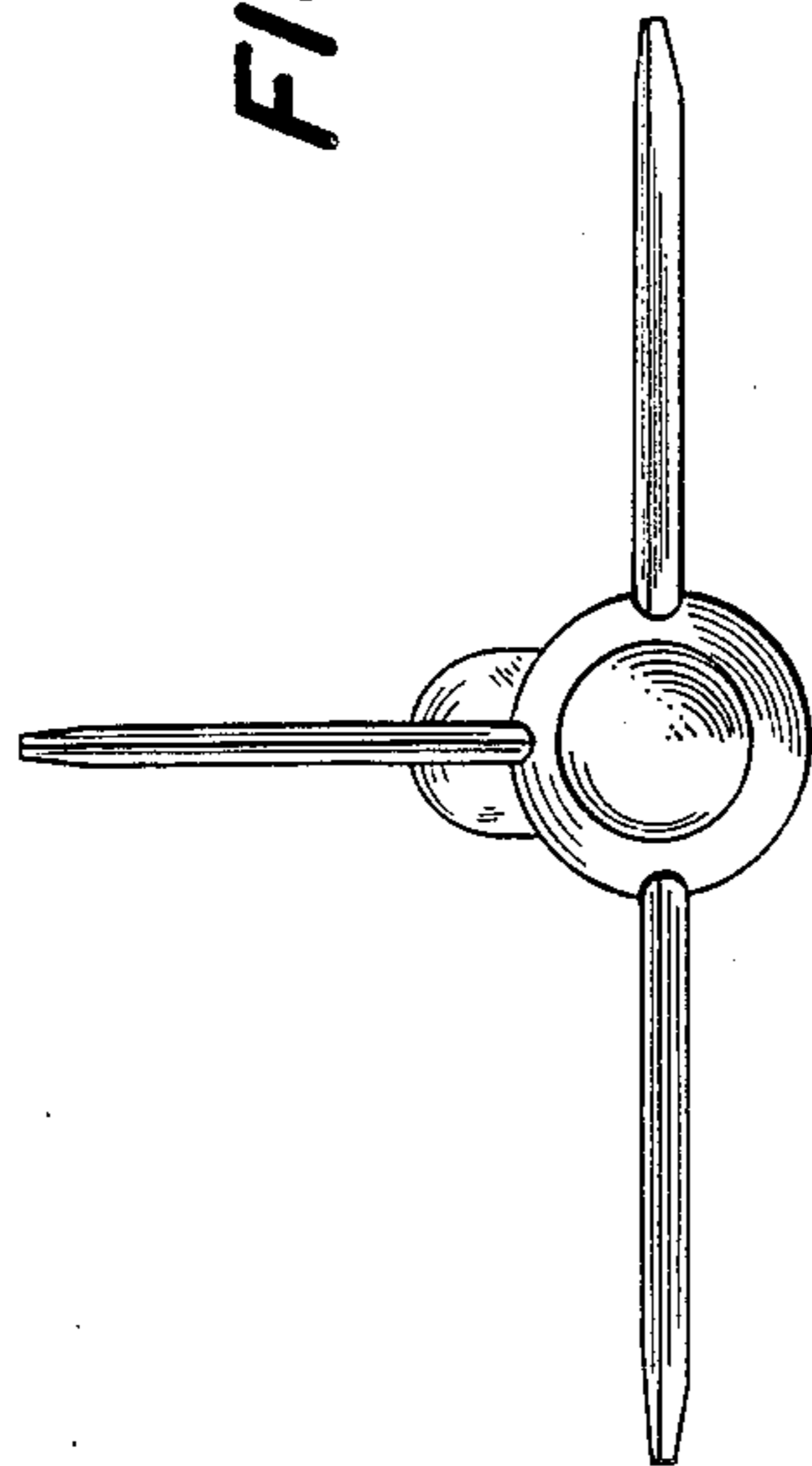
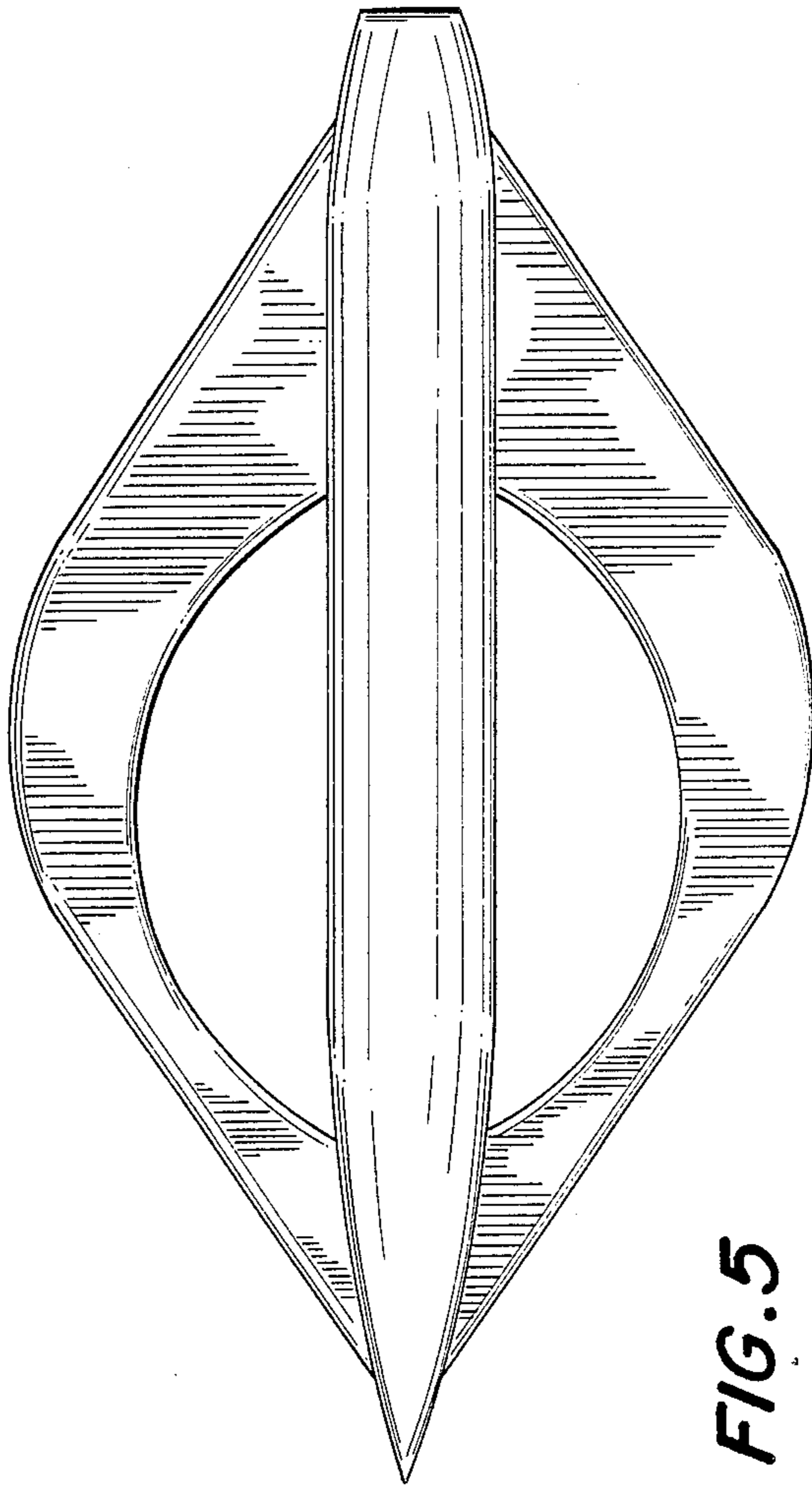


FIG. 3





*FIG. 4*



*FIG. 5*