

[54] **COMBINED VEHICLE FISHING ROD
HOLDER AND LUGGAGE CARRIER**

[76] **Inventor: Jesse C. Garcia, 239 Devonshire, San
Antonio, Tex. 78209**

[**] **Term: 14 Years**

[21] **Appl. No.: 153,014**

[22] **Filed: Feb. 5, 1988**

[52] **U.S. Cl. D12/157**

[58] **Field of Search D12/157; 224/309, 328,
224/329, 922**

[56] **References Cited**

U.S. PATENT DOCUMENTS

3,915,362	10/1975	Hart	224/328
4,170,801	10/1979	Ward	224/922
4,335,840	6/1982	Williams	224/922

Primary Examiner—James M. Gandy
Assistant Examiner—Melody Brown
Attorney, Agent, or Firm—John C. Stahl

[57] **CLAIM**

The ornamental design for a combined vehicle fishing rod holder and luggage carrier, as shown.

DESCRIPTION

FIG. 1 is a left side elevational view of a combined vehicle fishing rod holder and luggage carrier, showing my new design;

FIG. 2 is a front elevational view thereof;

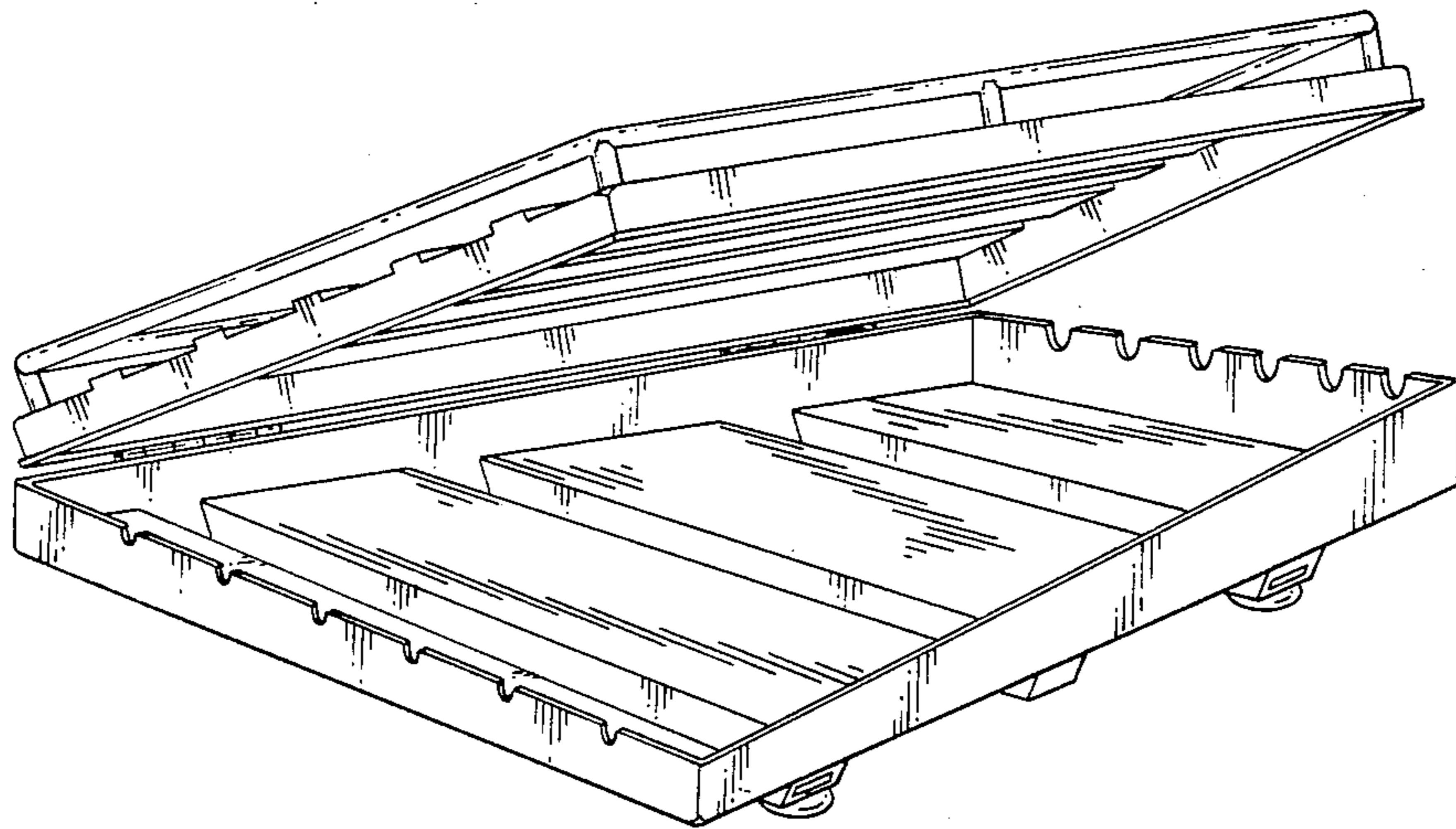
FIG. 3 is a rear elevational view thereof;

FIG. 4 is a top plan view thereof;

FIG. 5 is a right side elevational view thereof;

FIG. 6 is a bottom plan view thereof; and

FIG. 7 is a perspective view thereof, showing the fishing rod holder in partially open condition.



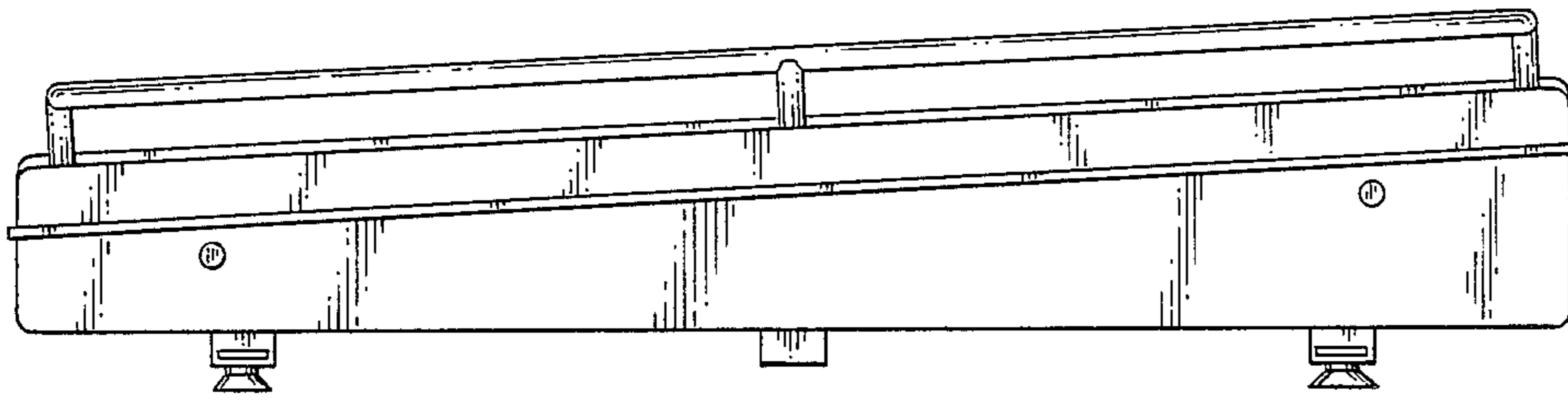


FIG. 1

FIG. 2

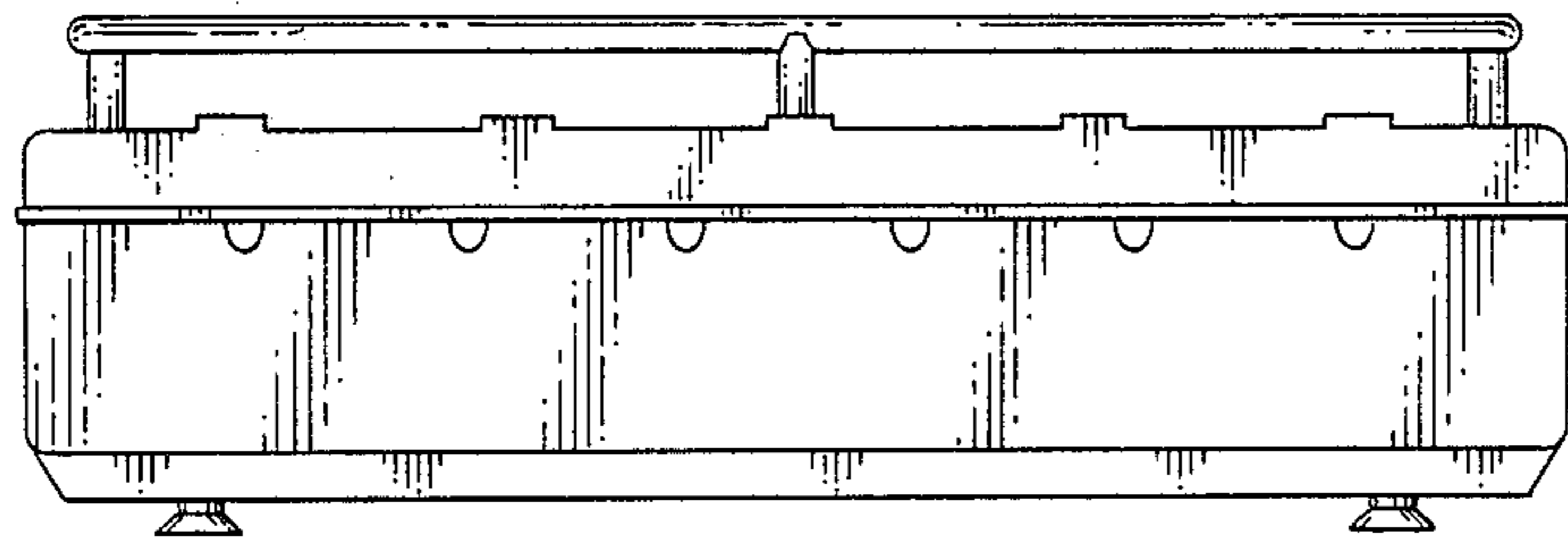
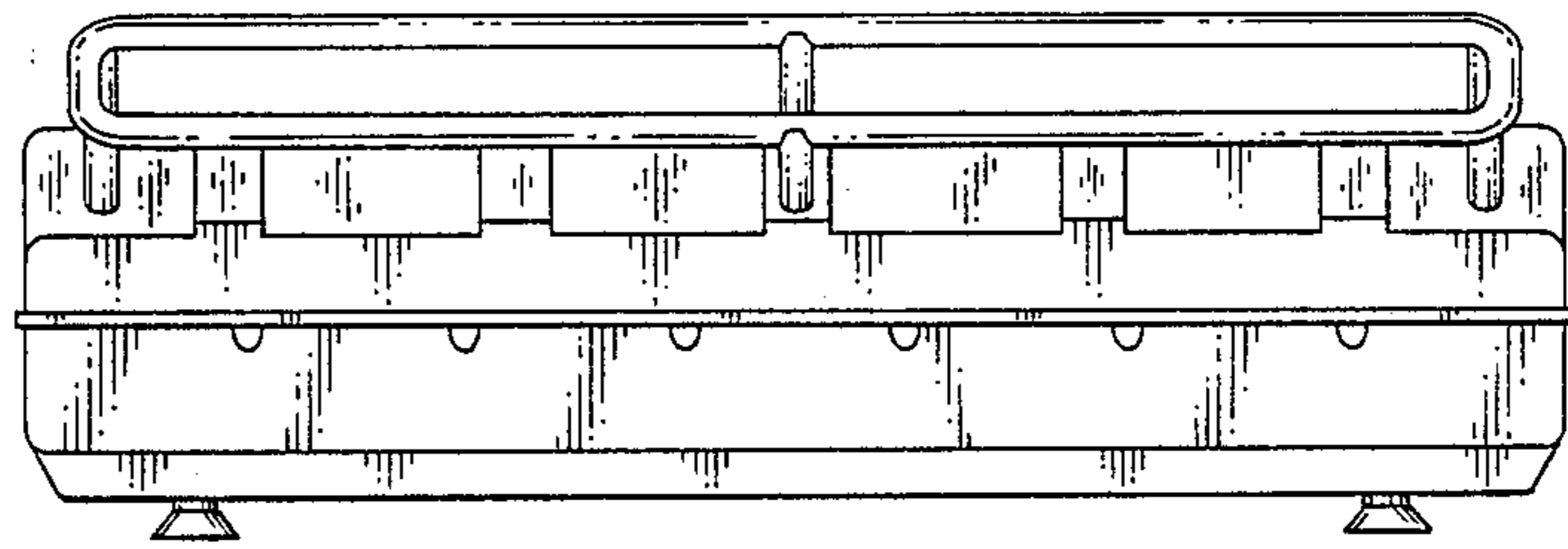


FIG. 3

FIG. 4

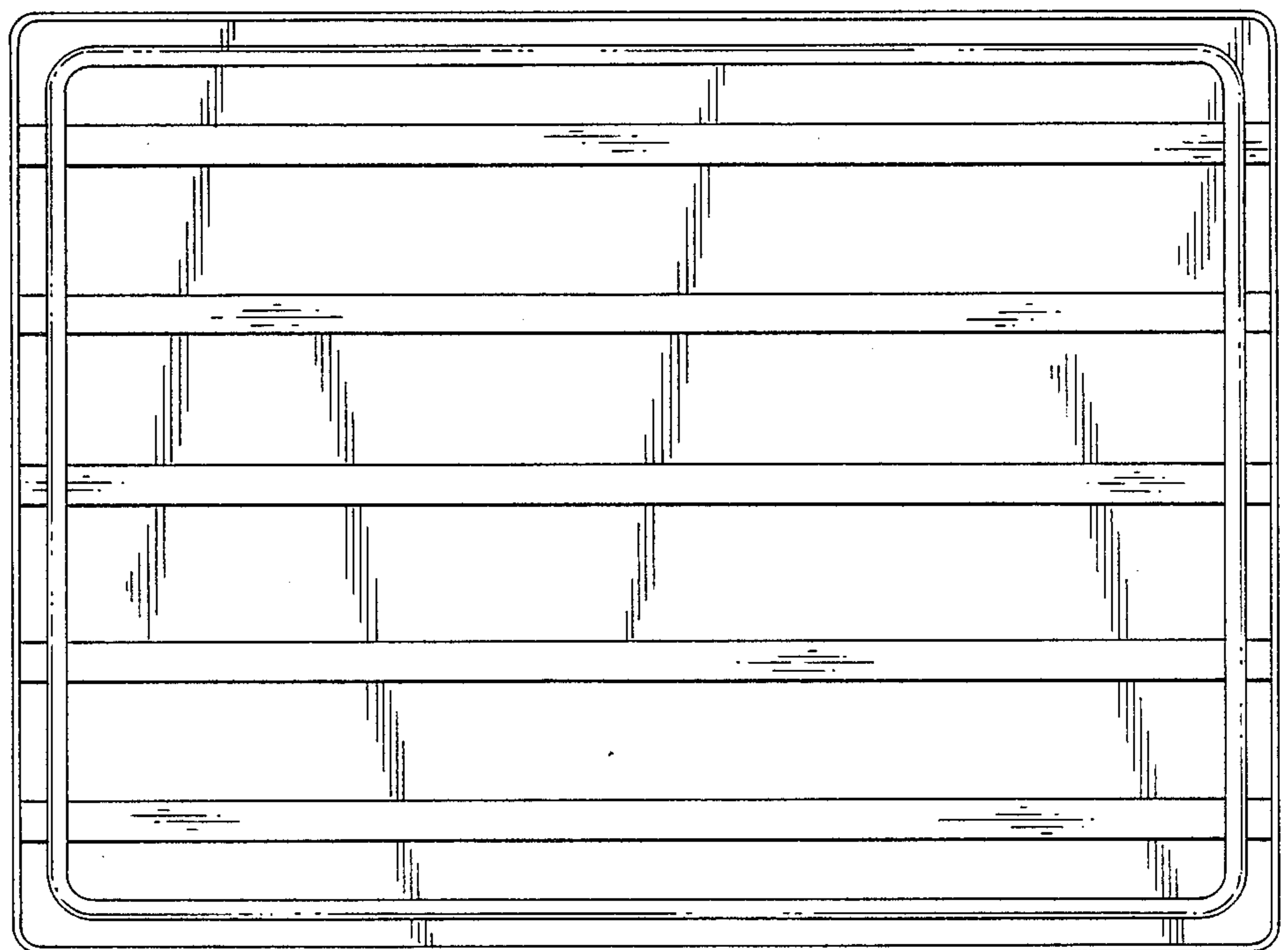


FIG. 5

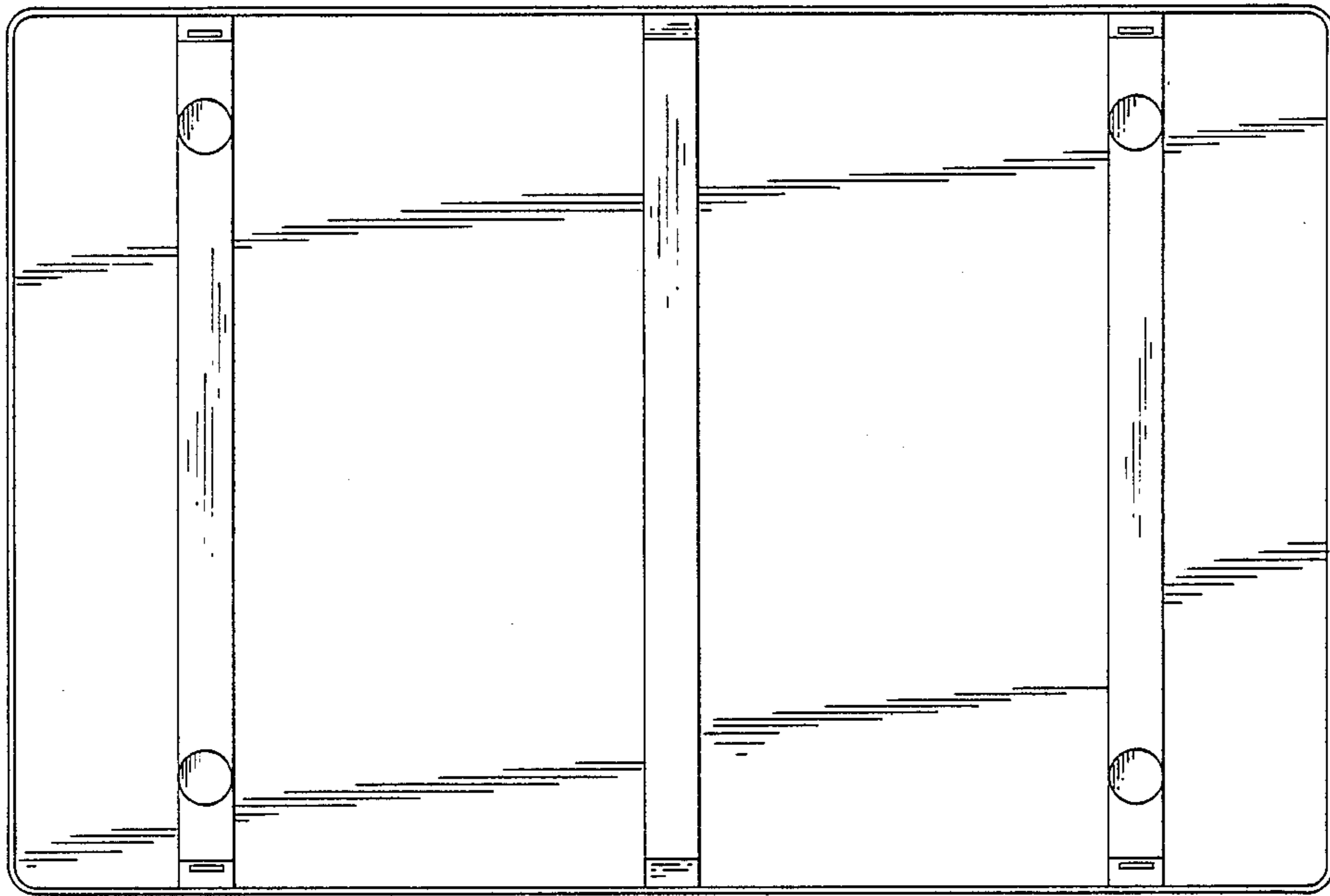
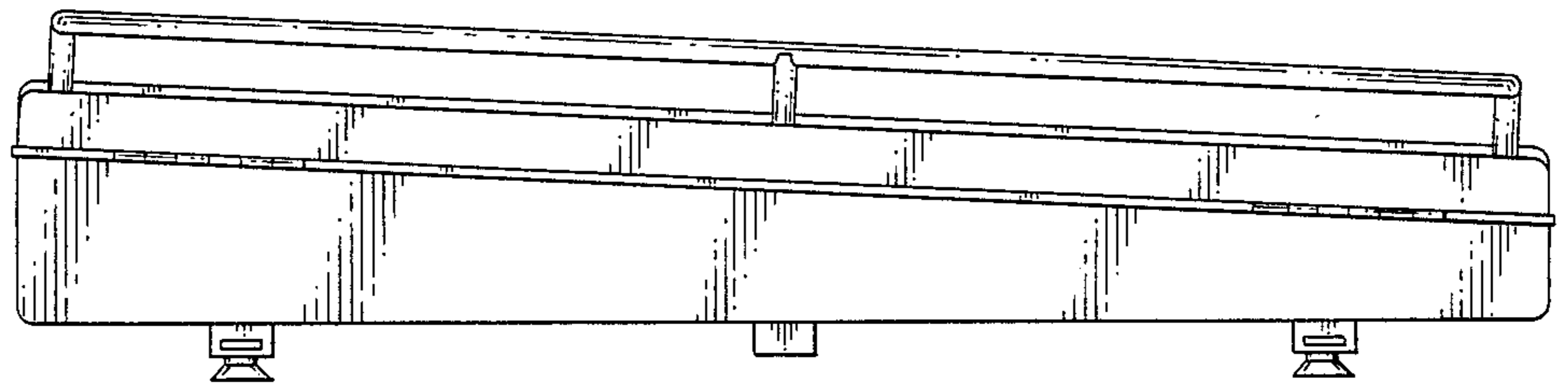


FIG. 6

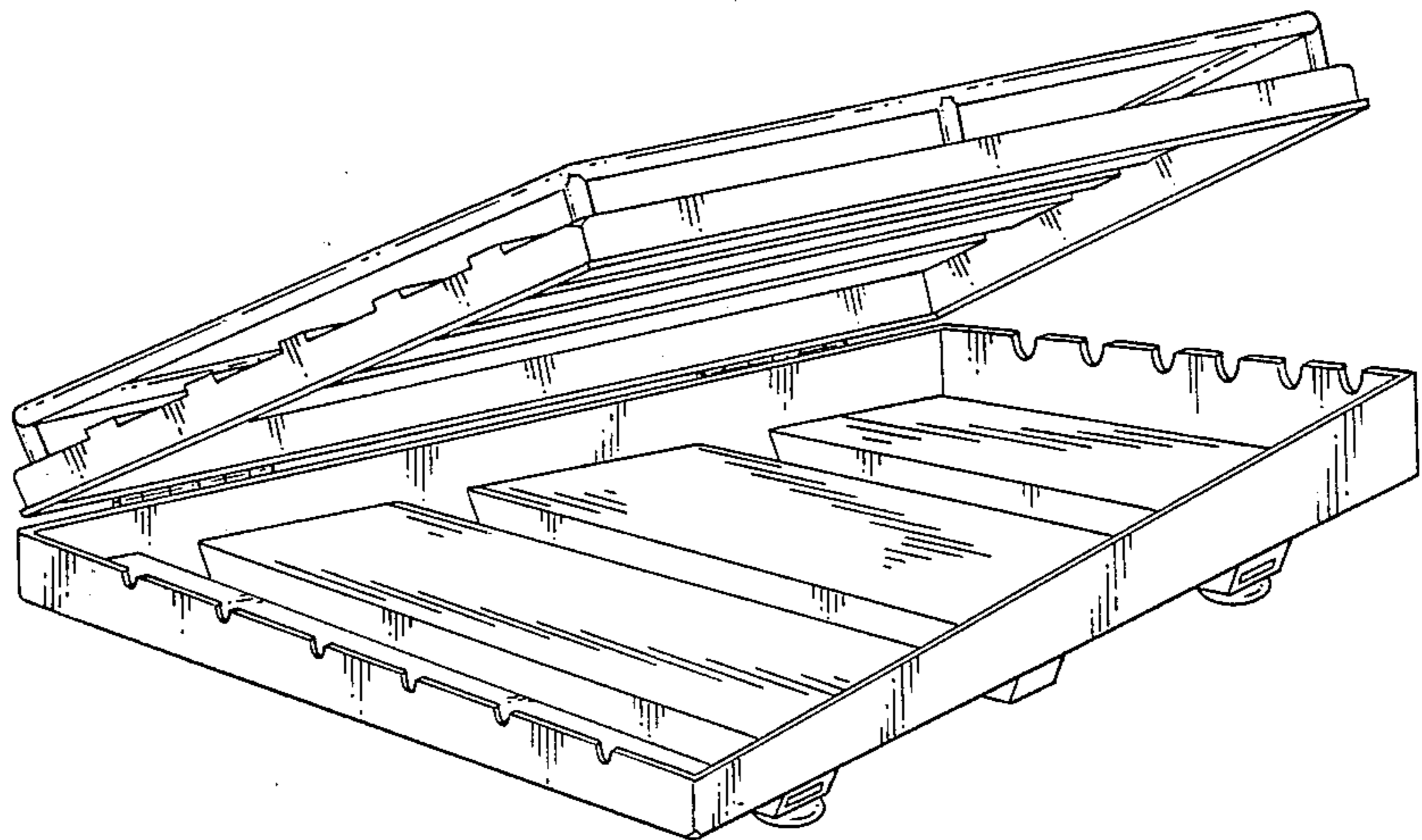


FIG. 7