

[54] AUTOMOBILE TIRE

[75] Inventor: Yutaka Kuroda, Hyogo, Japan

[73] Assignee: Sumitomo Rubber Industries, Ltd., Hyogo, Japan

[\*\*] Term: 14 Years

[21] Appl. No.: 157,313

[22] Filed: Feb. 18, 1988

[30] Foreign Application Priority Data

Aug. 29, 1987 [JP] Japan ..... 62-35365

[52] U.S. Cl. .... D12/147

[58] Field of Search ..... D12/145-151, D12/140, 137; 152/209 R, 209 B, 209 D

[56] References Cited

U.S. PATENT DOCUMENTS

- D. 283,996 5/1986 Kuramochi et al. .... D12/145
- D. 301,023 5/1989 Grohman et al. .... D12/147

OTHER PUBLICATIONS

1987 Tread Design Guide, ©1/87, p. 68, Siema Grand

Sport SE 70 Tire & Siema Grand Spirit Radial HRX Tire, bottom center of page.

1987 Tread Design Guide, ©1/87, p. 59, Pirelli P600 Tire, bottom left side of page.

Firestone Tire brochure, p. 4, Grooved Rear Tire, second tire up from bottom of page.

Primary Examiner—James M. Gandy

Attorney, Agent, or Firm—Birch, Stewart, Kolasch & Birch

[57] CLAIM

The ornamental design for an automobile tire, as shown and described.

DESCRIPTION

FIG. 1 is a perspective view of an automobile tire showing my new design it being understood that the tread pattern is repeated uniformly throughout the circumference of the tire and the opposite side is the same as that shown;

FIG. 2 is a front elevational view thereof; and FIG. 3 is a side elevational view thereof.

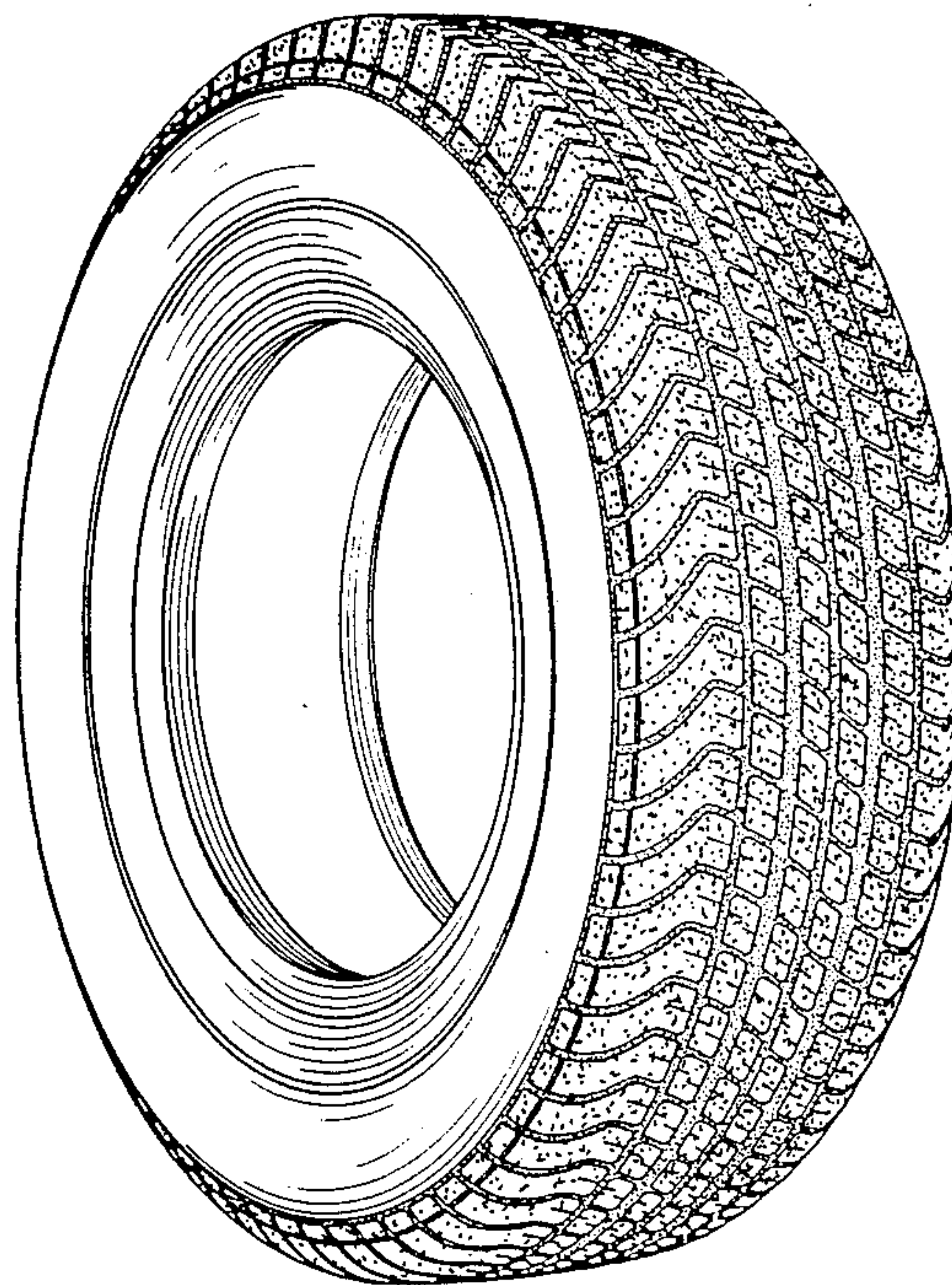


FIG. 1

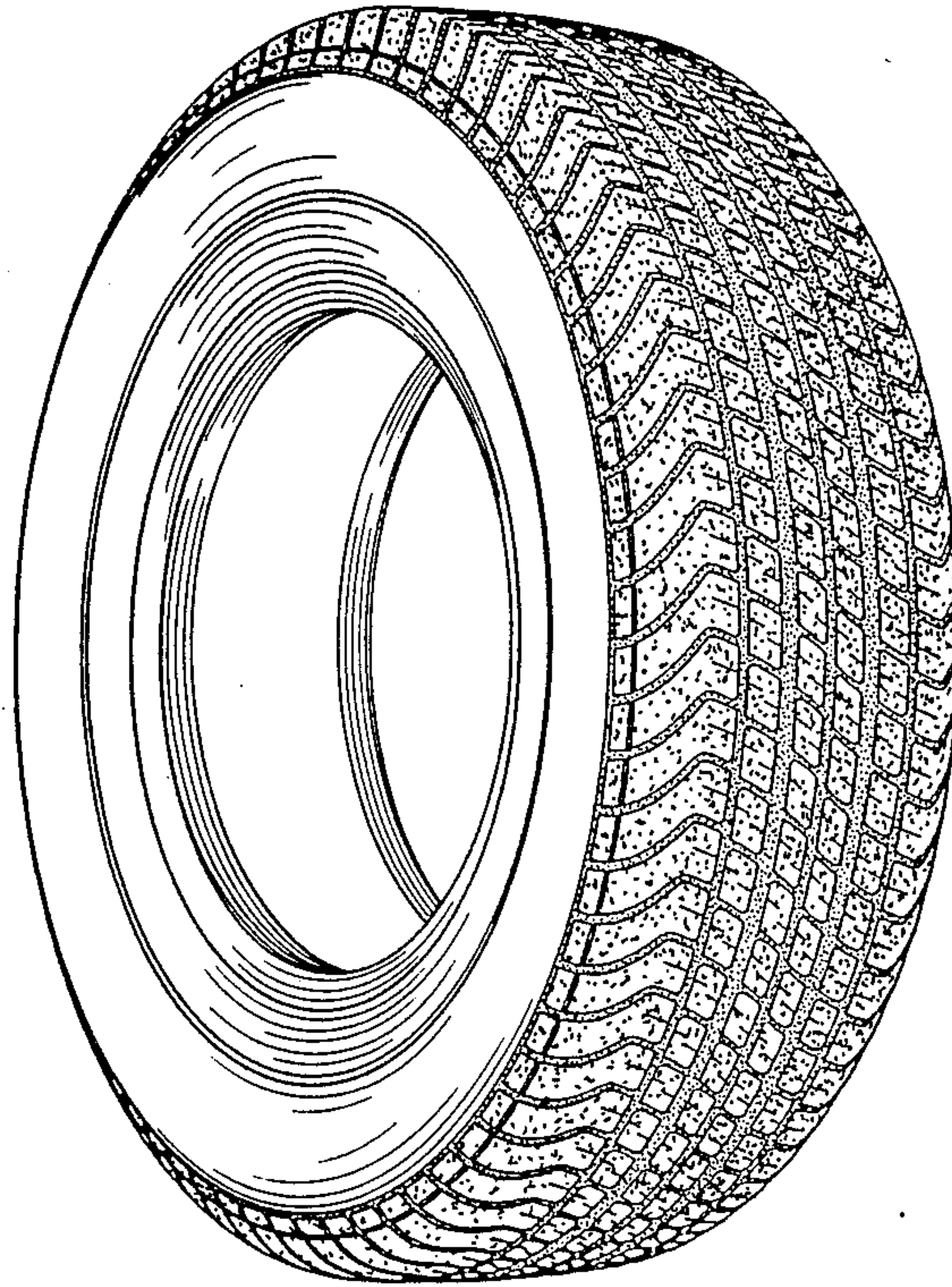


FIG. 2

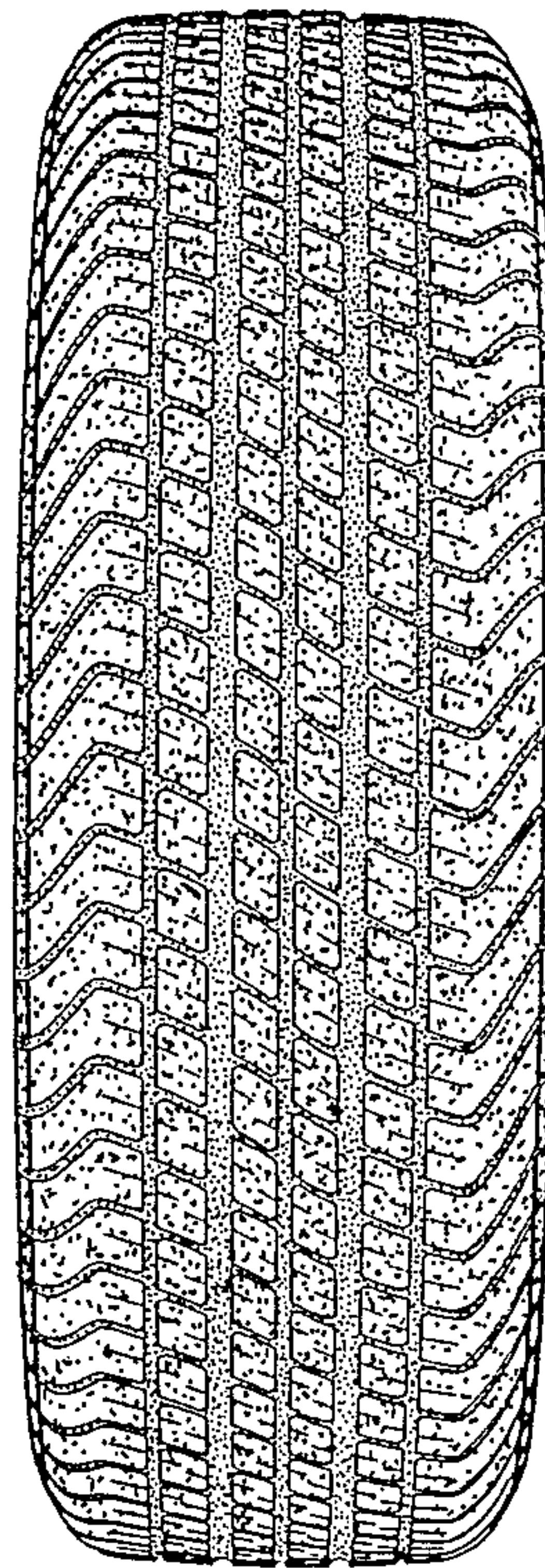




FIG. 3

