

United States Patent [19]

Dallaire

[11] Patent Number: Des. 311,358

[45] Date of Patent: ** Oct. 16, 1990

[54] SLED

[75] Inventor: Michel Dallaire, Montreal, Canada

[73] Assignee: St.-Lawrence Manufacturing Canada Inc./Manufactures St.-Laurent Canada, Inc., Beauport, Canada

[**] Term: 14 Years

[21] Appl. No.: 190,934

[22] Filed: May 9, 1988

[30] Foreign Application Priority Data

Jan. 19, 1988 [CA] Canada 19-01-88-1

[52] U.S. Cl. D12/10

[58] Field of Search D12/9, 10; 280/12.1, 280/12.12, 12 R, 25, 21.1

[56] References Cited

U.S. PATENT DOCUMENTS

D. 234,866 4/1975 Cox, III D12/10
D. 271,007 10/1983 Skillius D12/10
D. 298,111 10/1988 Kaptelin et al. D12/9

3,519,284 7/1970 Ogata D12/10
3,734,523 5/1973 Field D12/10
3,900,208 8/1975 Hjelmquist 280/21.1
4,063,746 12/1977 Hansen D12/10

FOREIGN PATENT DOCUMENTS

771065 11/1968 Canada 280/21.1
1003464 1/1977 Canada 280/25

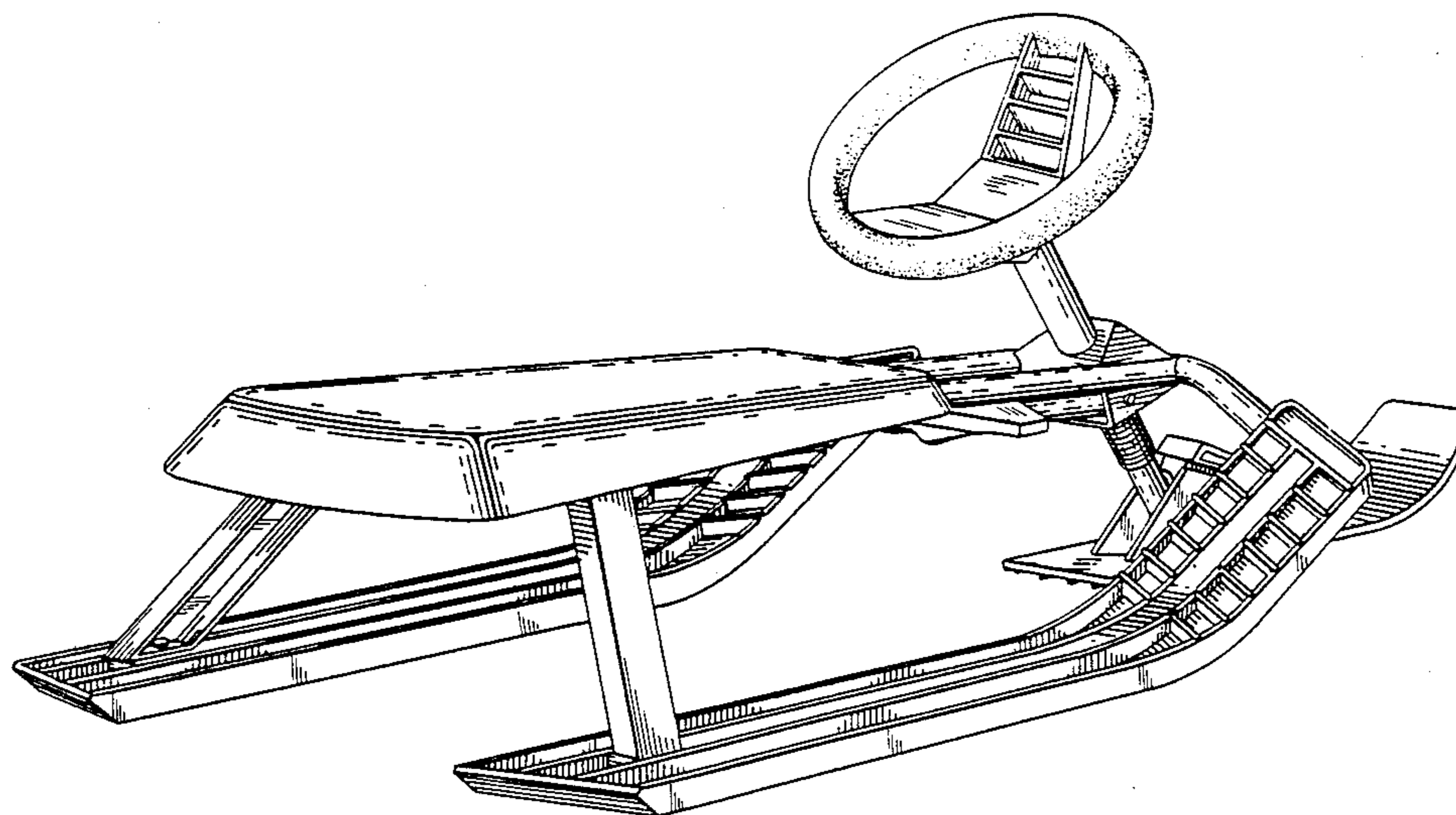
Primary Examiner—James M. Gandy
Assistant Examiner—Melody N. Brown
Attorney, Agent, or Firm—Samuel Meerkreebs

[57] CLAIM

The ornamental design for a sled, as shown and described.

DESCRIPTION

FIG. 1 is a rear perspective view of a sled showing my new design;
FIG. 2 is a top plan view thereof;
FIG. 3 is a side elevation view thereof, the opposite side being a mirror image of that shown;
FIG. 4 is a front elevation view thereof; and
FIG. 5 is a rear elevation view thereof.



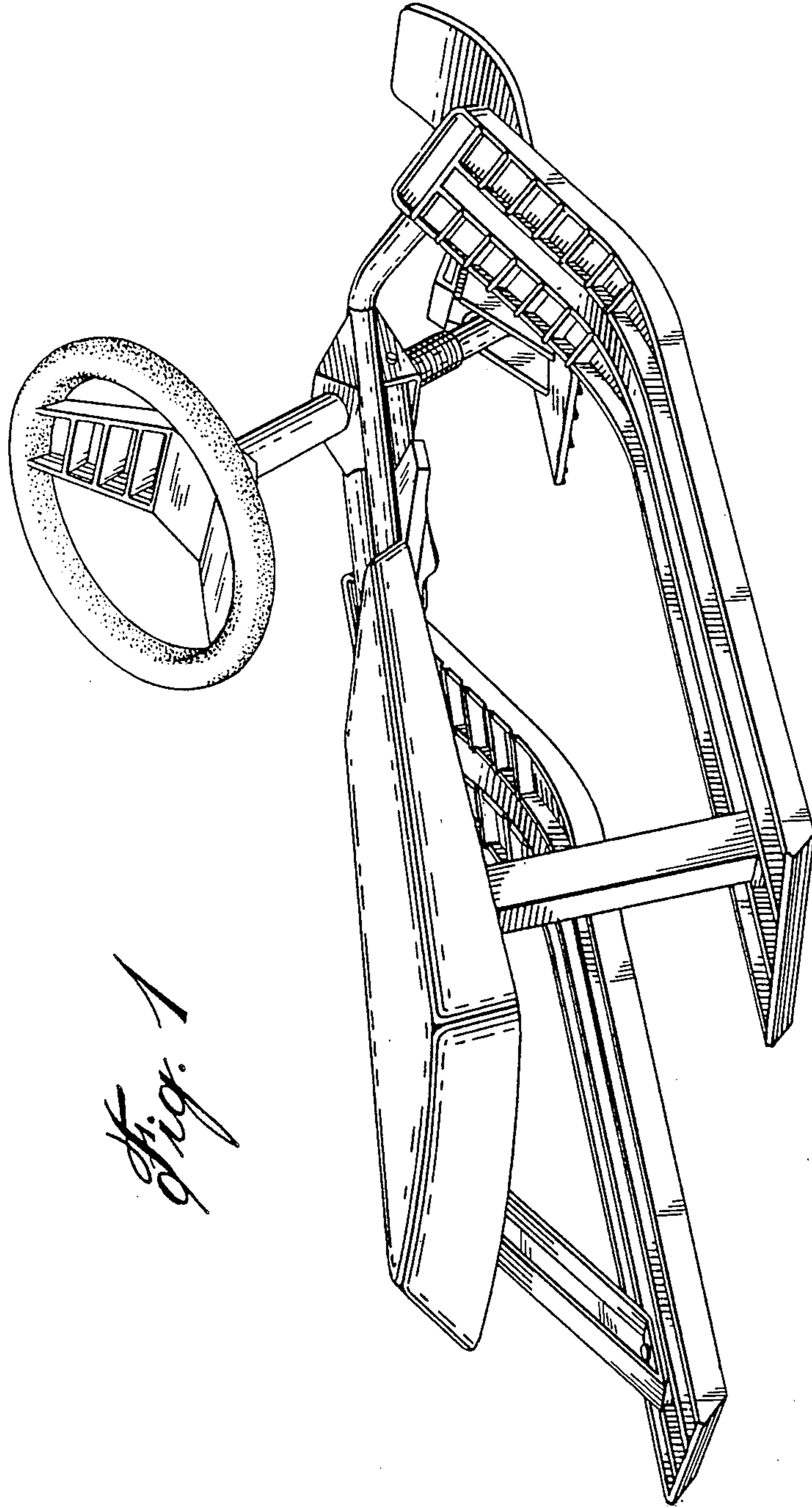


Fig. 1

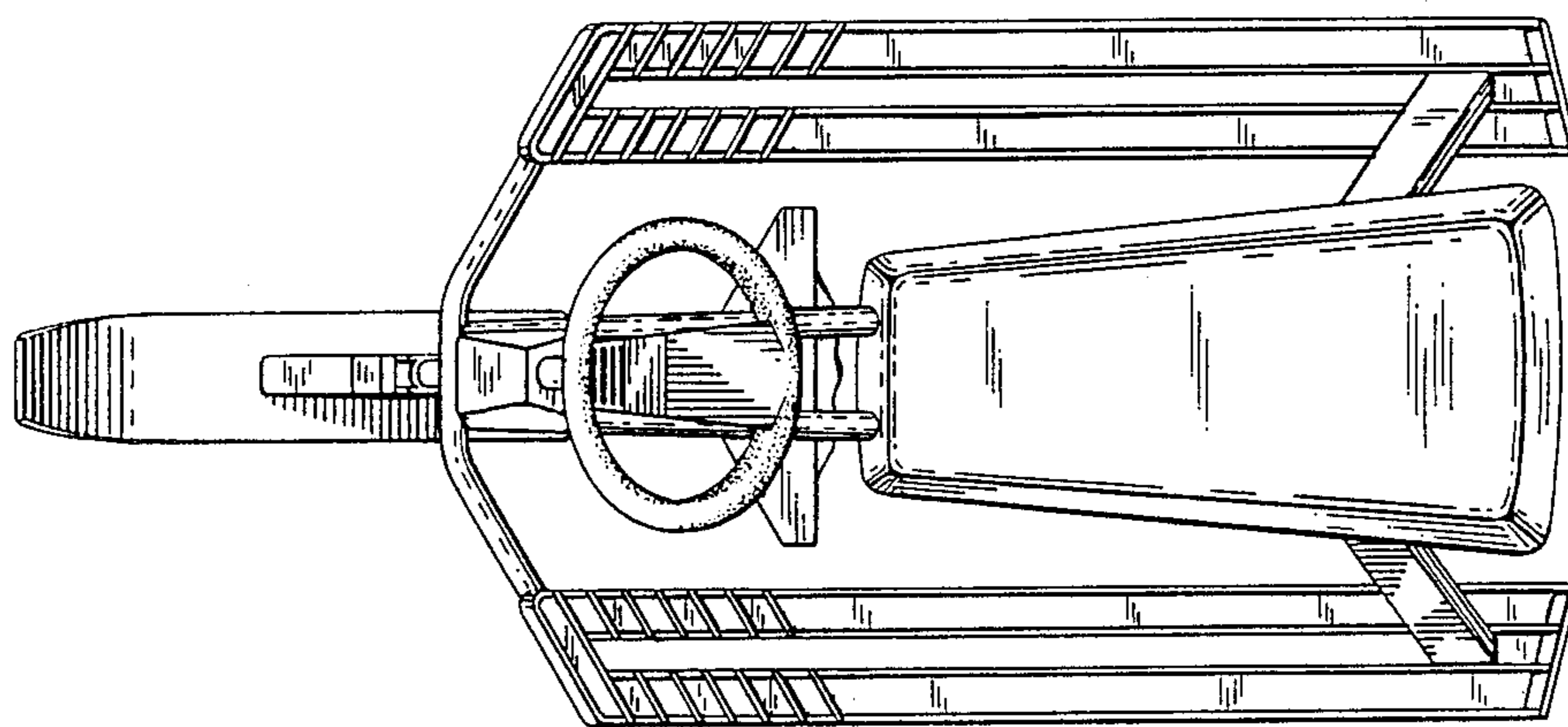


Fig. 2

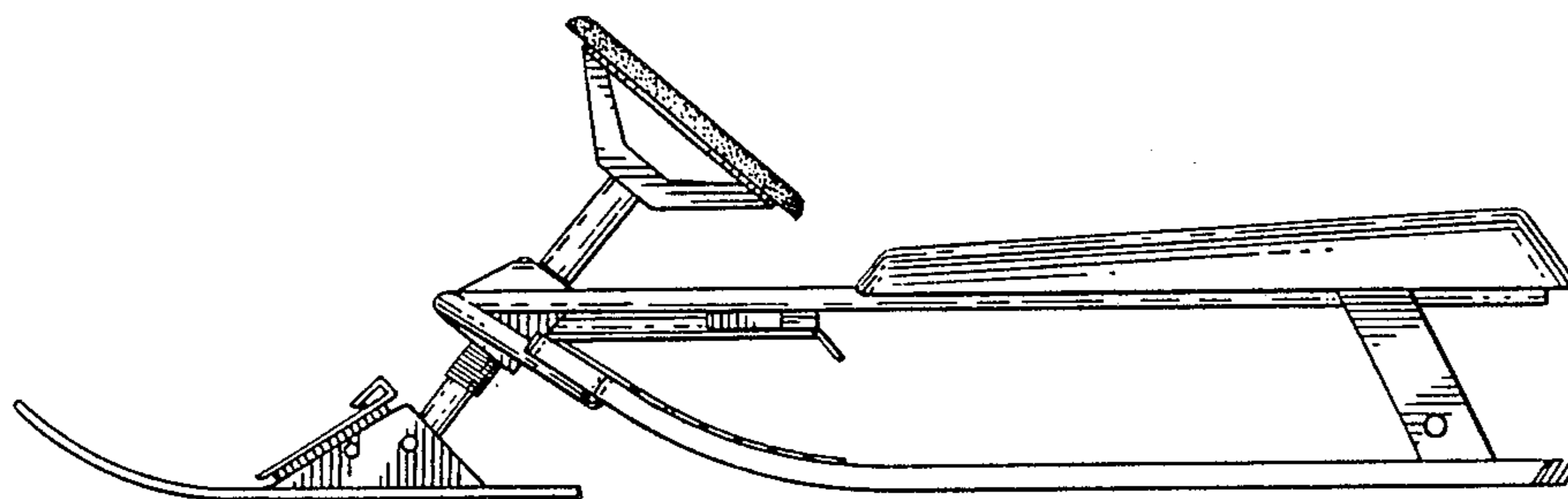


Fig. 3

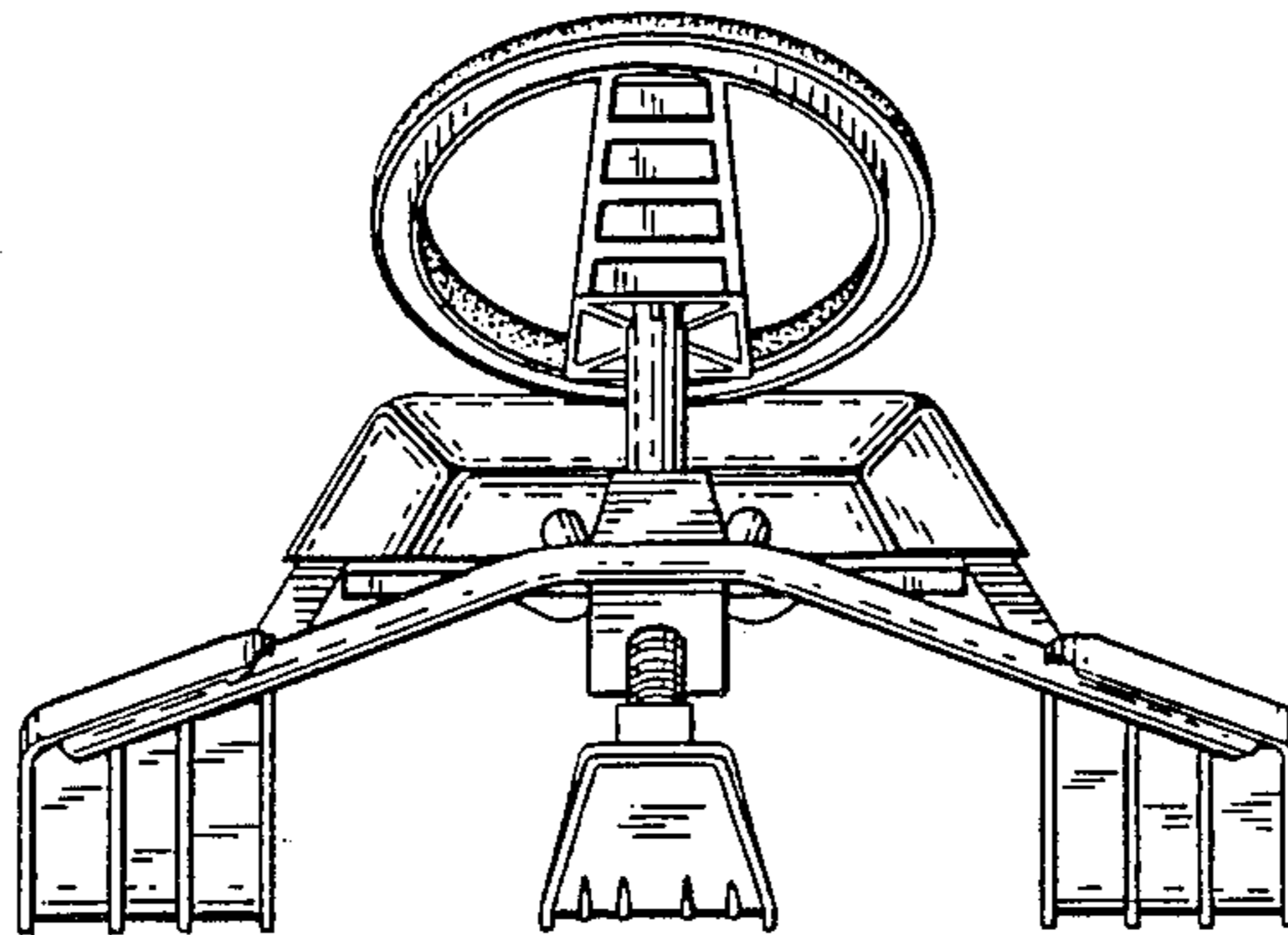


Fig. 4

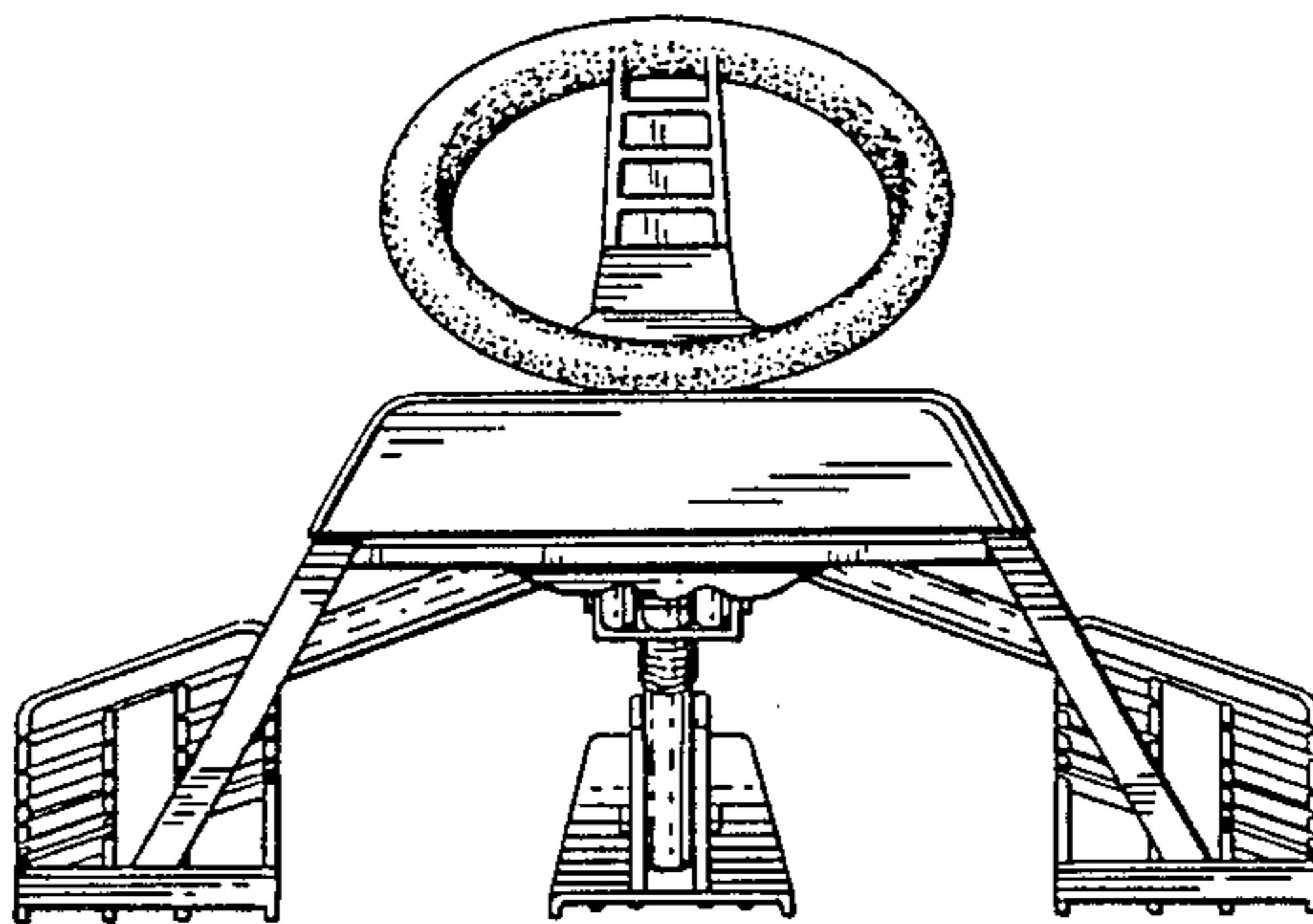


Fig. 5