

United States Patent [19]

Suzuki et al.

[11] Patent Number: **Des. 311,353**

[45] Date of Patent: **** Oct. 16, 1990**

[54] **CLOCK MOVEMENT**

[75] Inventors: **Tetsuro Suzuki; Katsuhiro Hatano,**
both of Tokyo, Japan

[73] Assignee: **Seikosha Co., Ltd., Japan**

[**] Term: **14 Years**

[21] Appl. No.: **8,426**

[22] Filed: **Jan. 29, 1987**

[30] **Foreign Application Priority Data**

Sep. 18, 1986 [JP] Japan 61-36866
[52] U.S. Cl. **D10/129**
[58] Field of Search D10/129; 368/88, 220,
368/300, 276-277, 280-282

[56] **References Cited**

U.S. PATENT DOCUMENTS

D. 303,226 9/1989 Moritaka D10/129

D. 303,227 9/1989 Hayakawa D10/129
3,049,861 8/1962 Jensen 368/300
4,175,374 11/1979 Yoshizawa 368/300

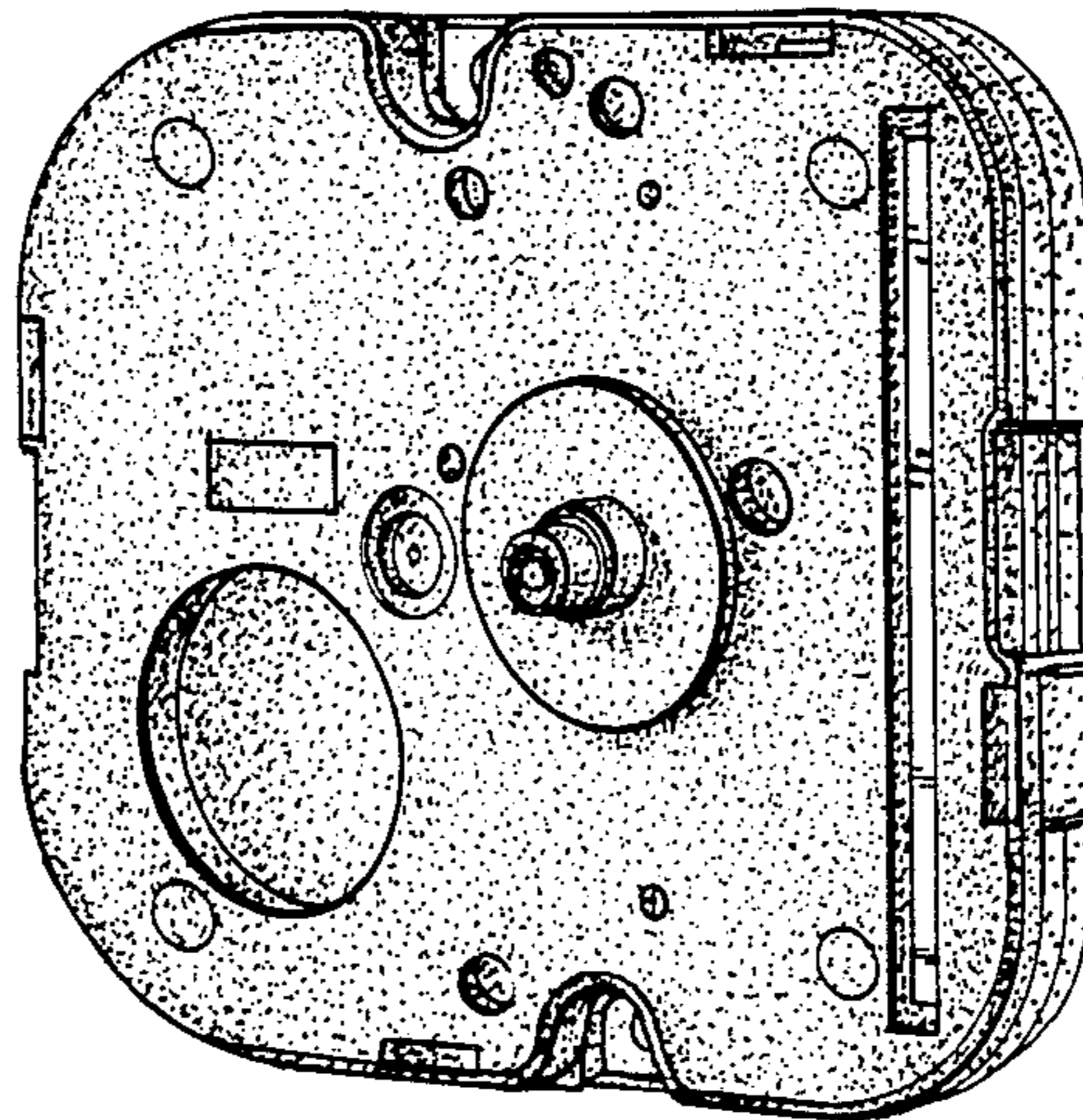
Primary Examiner—Nelson C. Holtje
Attorney, Agent, or Firm—Bruce L. Adams; Van C.
Wilks

[57] **CLAIM**

The ornamental design for a clock movement, as shown and described.

DESCRIPTION

FIG. 1 is a front elevational view of a clock movement showing our new design;
FIG. 2 is a rear elevational view thereof;
FIG. 3 is a top plan view thereof;
FIG. 4 is a left side elevational view thereof;
FIG. 5 is a right side elevational view thereof;
FIG. 6 is a bottom plan view thereof;
FIG. 7 is a right front perspective view thereof, and
FIG. 8 is a left rear perspective view thereof.



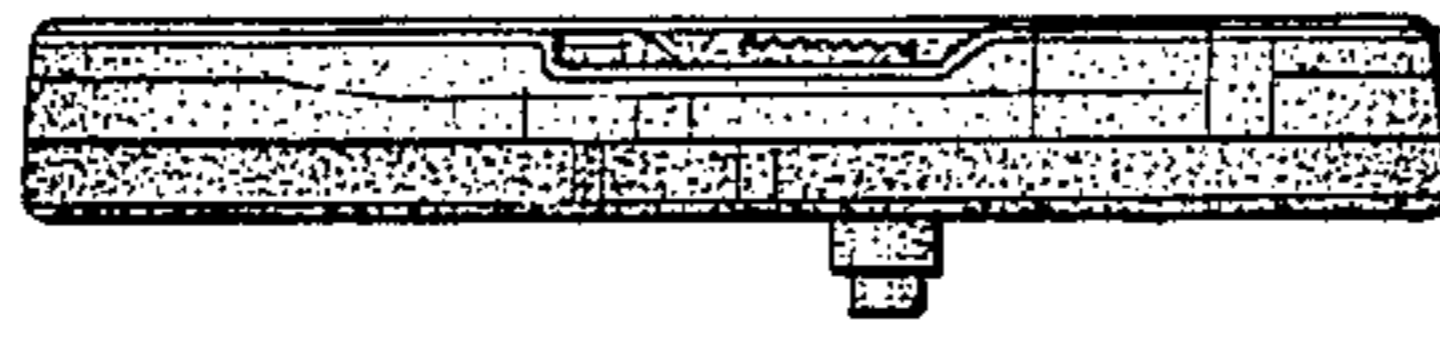


FIG. 3

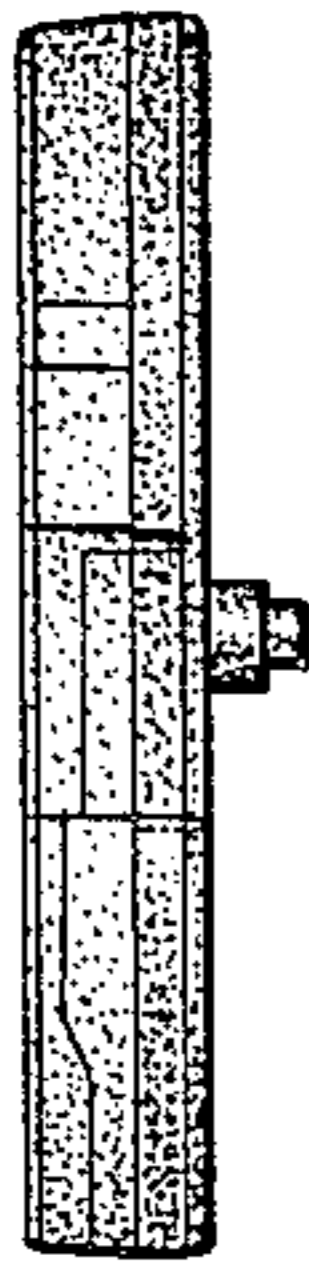


FIG. 4

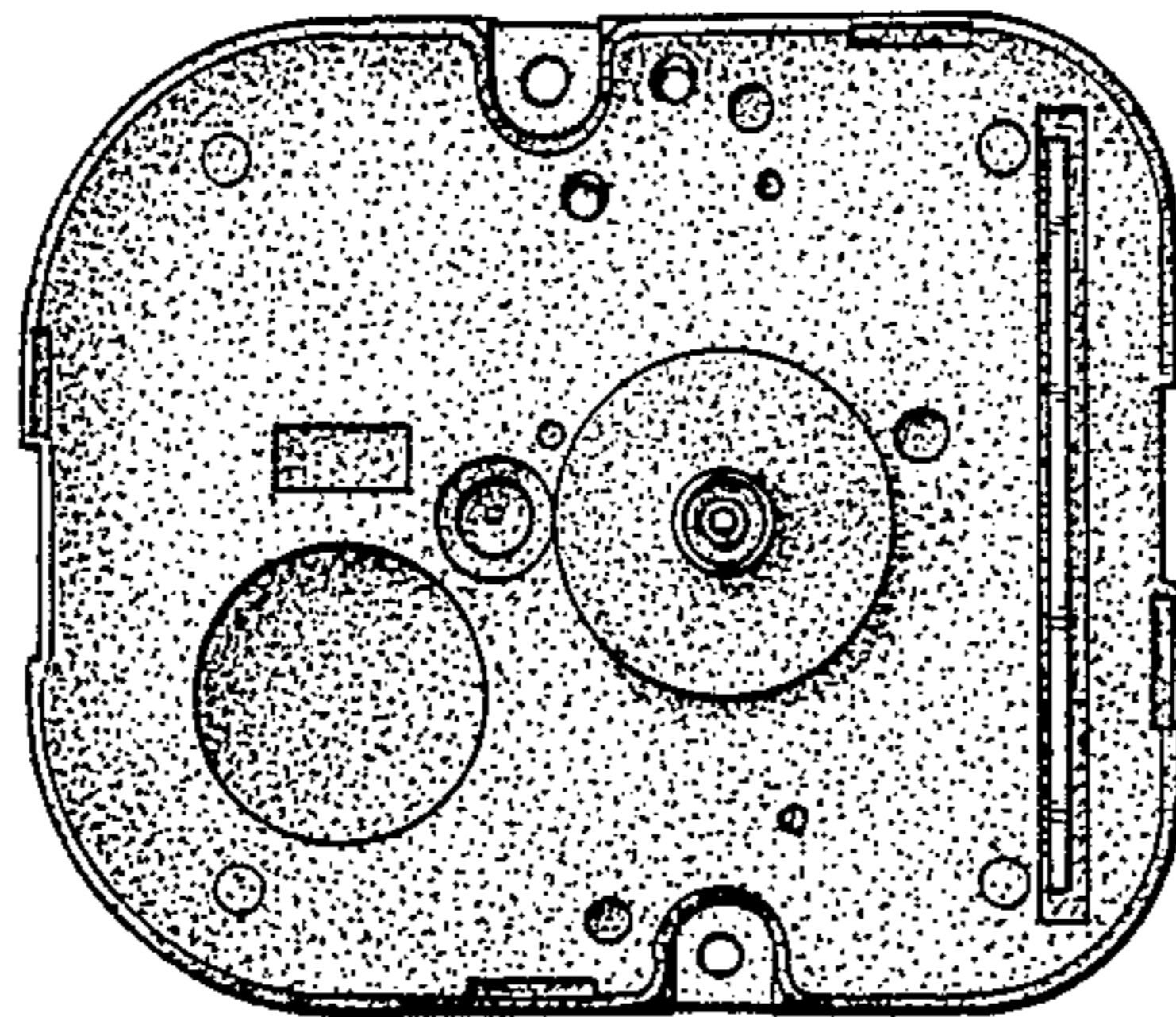


FIG. 1

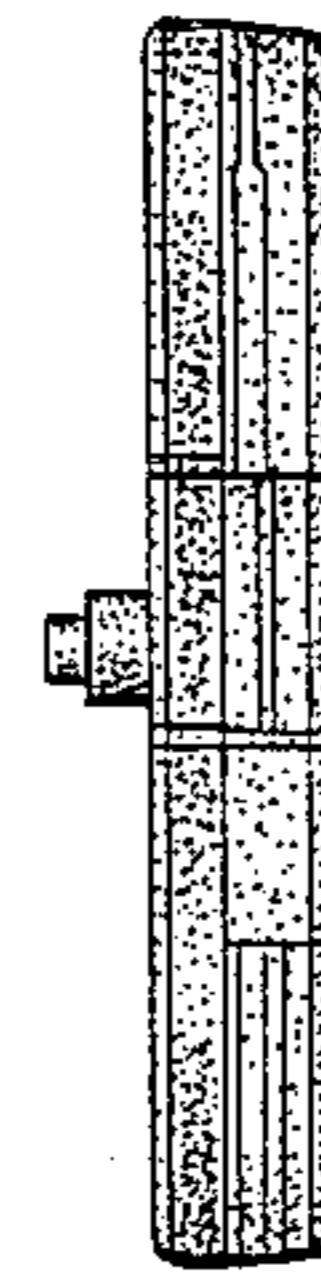


FIG. 5

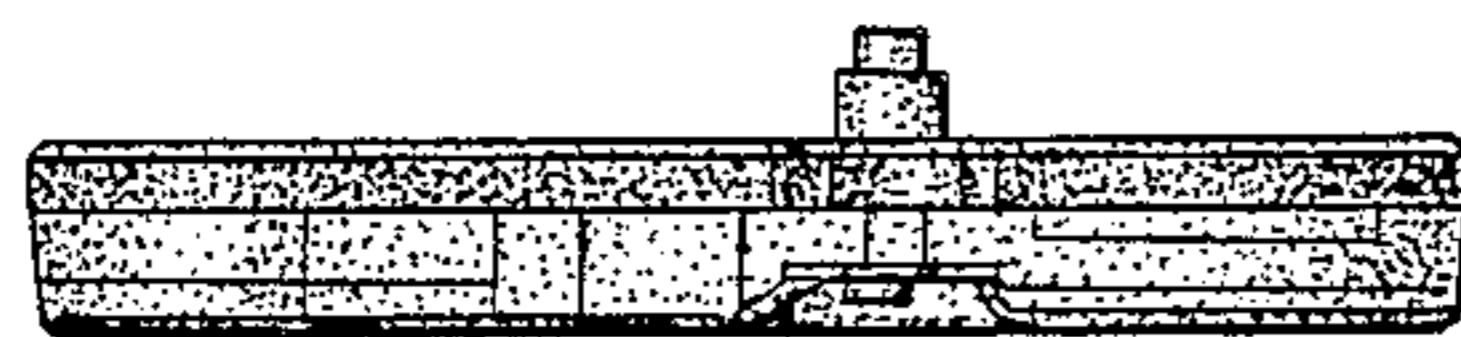


FIG. 6

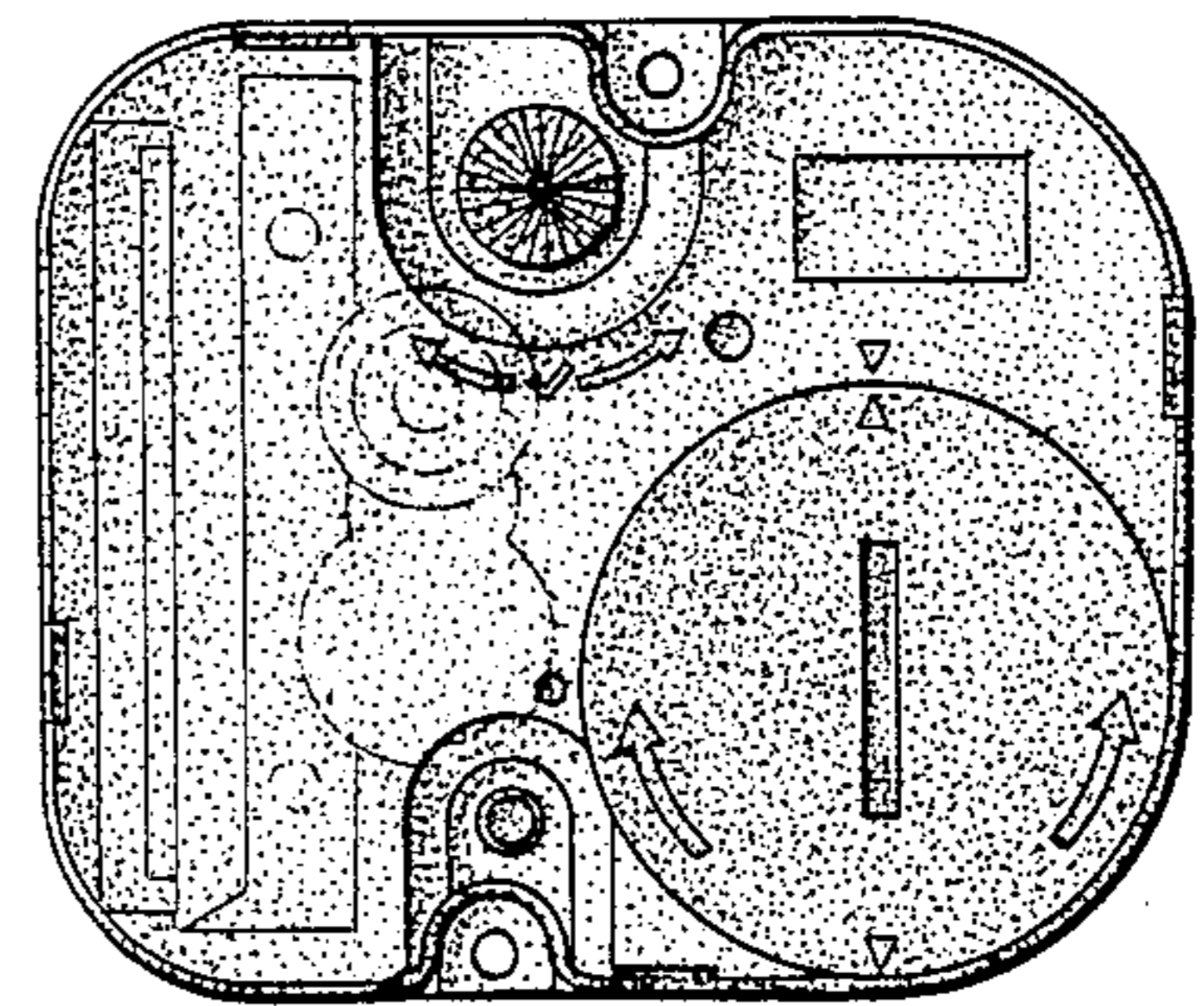


FIG. 2

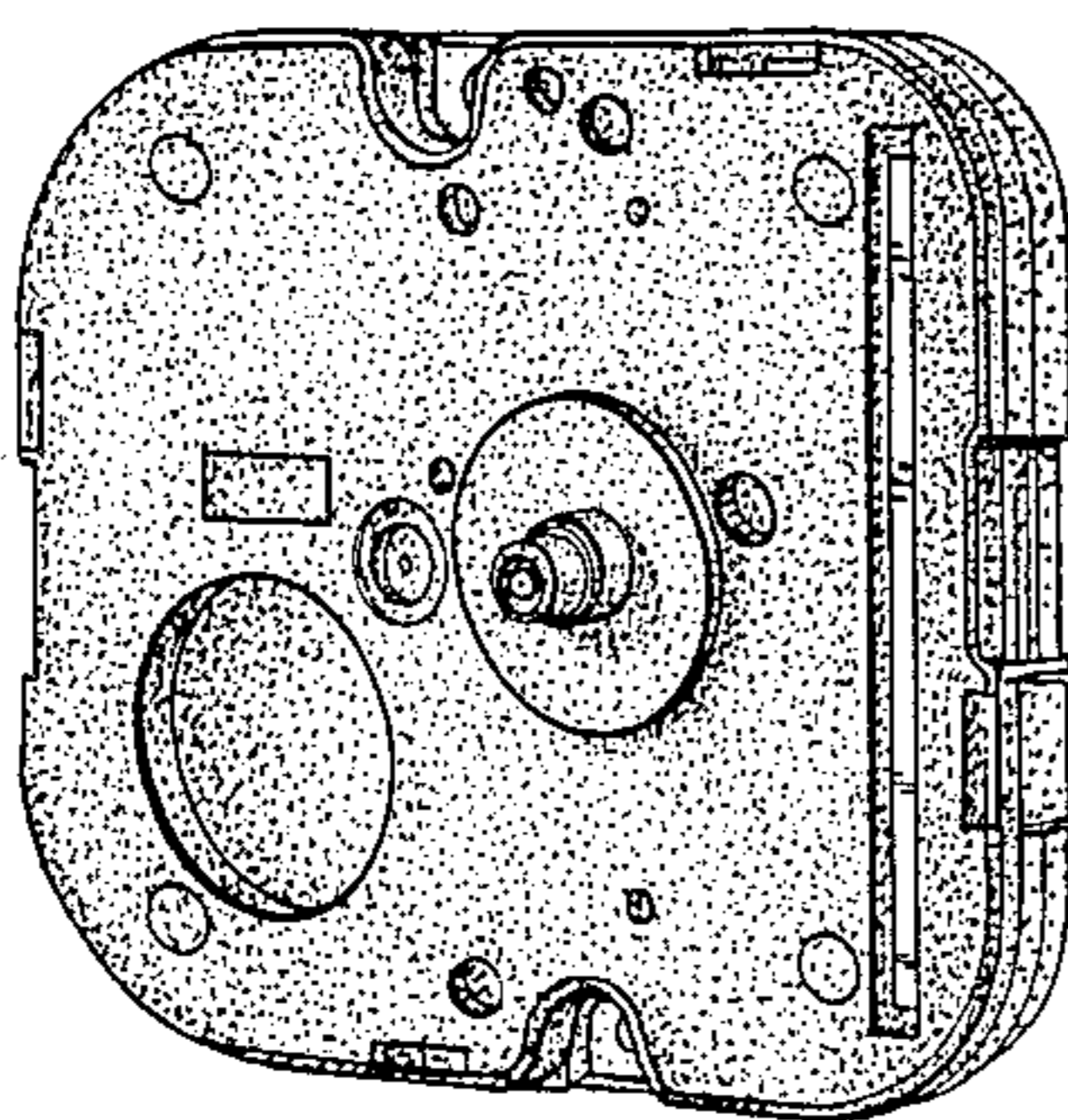


FIG. 7

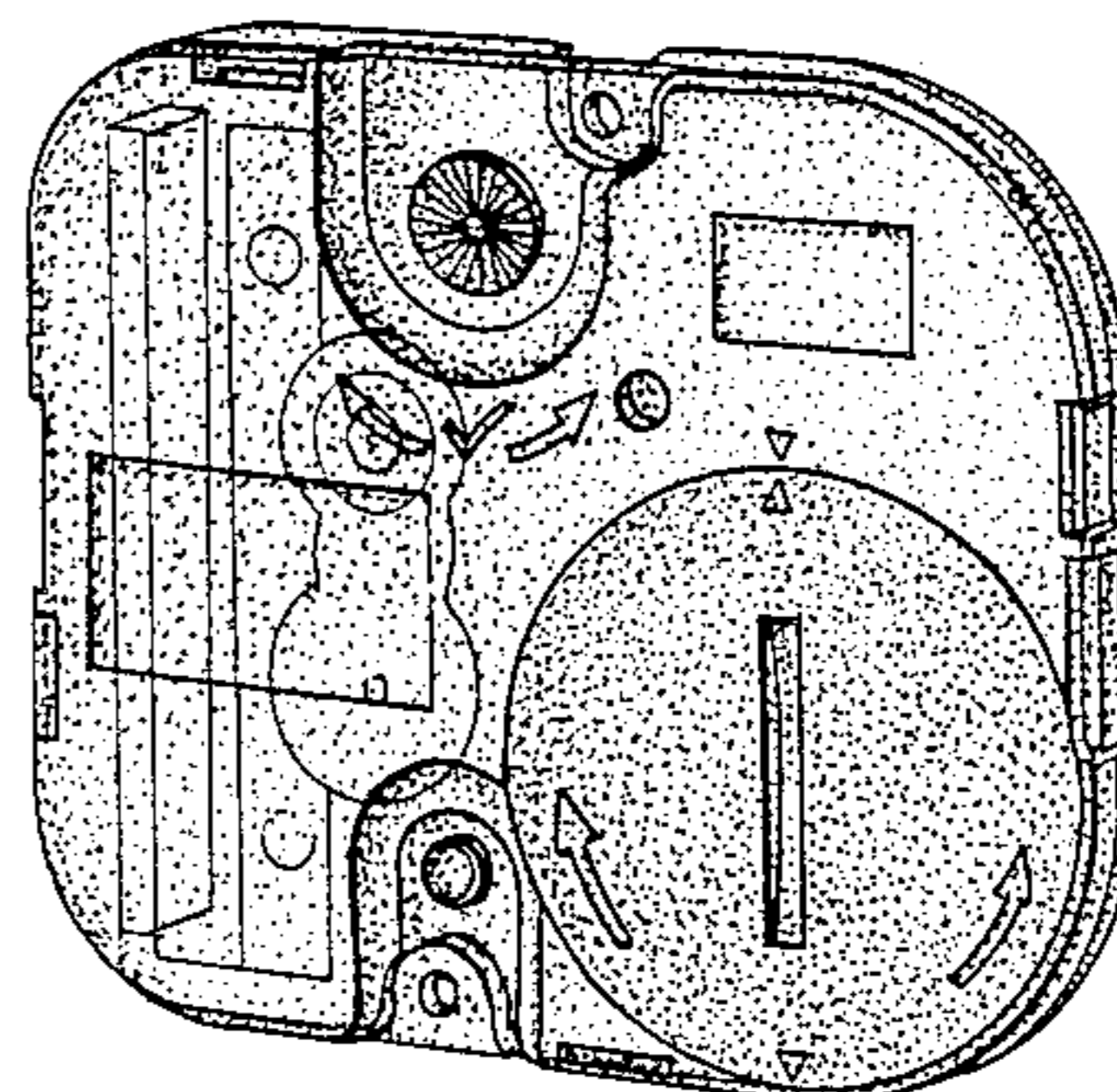


FIG. 8