

[54] CLOCK MOVEMENT

[75] Inventor: Makoto Tanaka, Tokyo, Japan

[73] Assignee: Seikosha Co., Ltd., Japan

[**] Term: 14 Years

[21] Appl. No.: 12,035

[22] Filed: Feb. 6, 1987

[30] Foreign Application Priority Data

Oct. 23, 1986 [JP] Japan 42077

[52] U.S. Cl. D10/129

[58] Field of Search D10/129; 368/276-277, 368/280-282, 88, 220, 300

[56] References Cited

U.S. PATENT DOCUMENTS

- D. 303,227 9/1989 Hayakawa D10/129
- 3,049,861 8/1962 Jensen 368/300
- 4,175,374 11/1979 Yoshizawa 368/300

4,272,842 6/1981 Schultheiss 368/276 X
4,464,062 8/1984 Inage 368/220

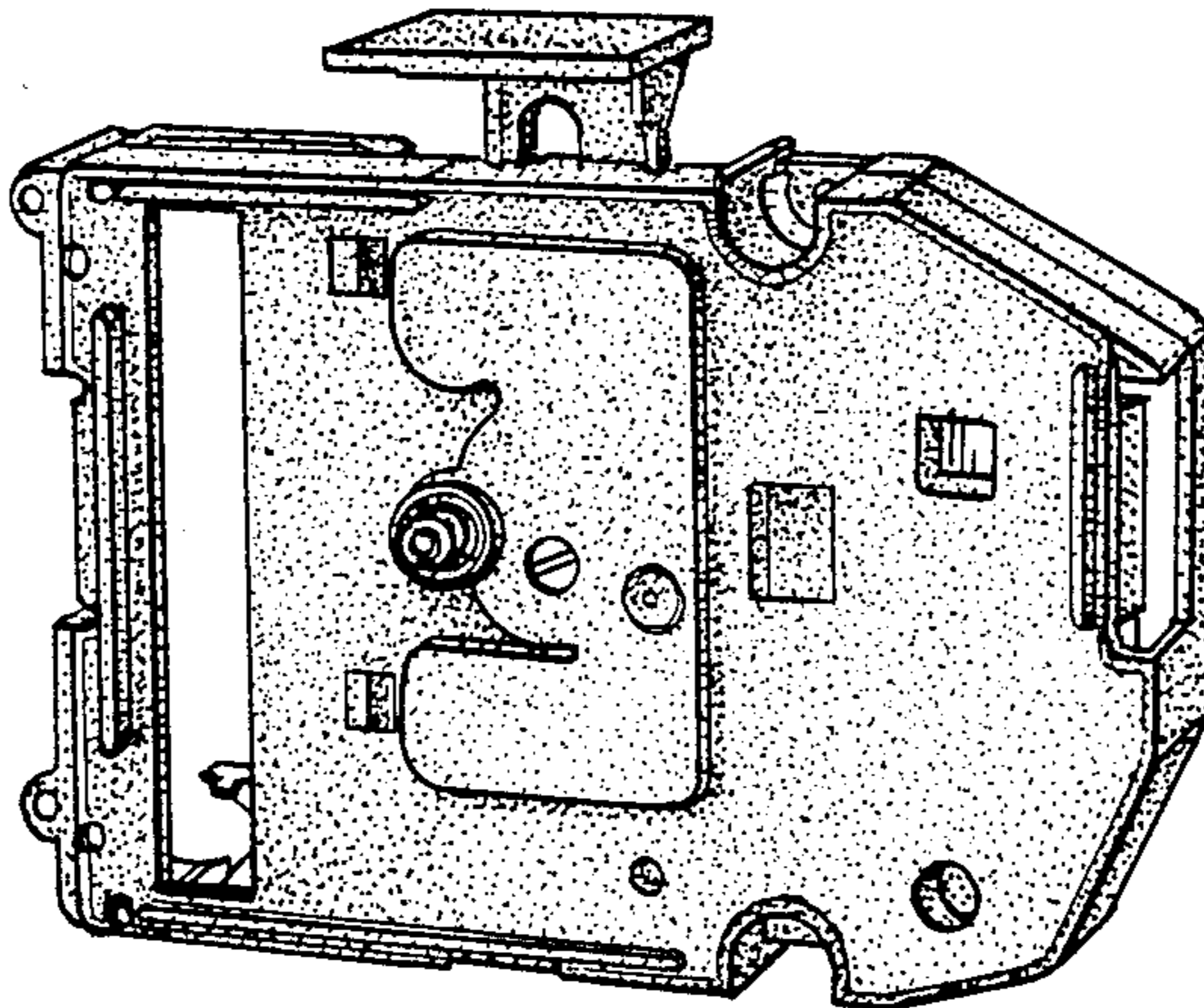
Primary Examiner—Nelson C. Holtje
Attorney, Agent, or Firm—Bruce L. Adams; Van C. Wilks

[57] CLAIM

The ornamental design for a clock movement, as shown and described.

DESCRIPTION

FIG. 1 is a front elevational view of a clock movement showing my new design;
 FIG. 2 is a rear elevational view thereof;
 FIG. 3 is a top plan view thereof;
 FIG. 4 is a left side elevational view thereof;
 FIG. 5 is a right side elevational view thereof;
 FIG. 6 is a bottom plan view thereof;
 FIG. 7 is a top and right-front perspective view thereof, and
 FIG. 8 is a top and left-rear perspective view thereof.



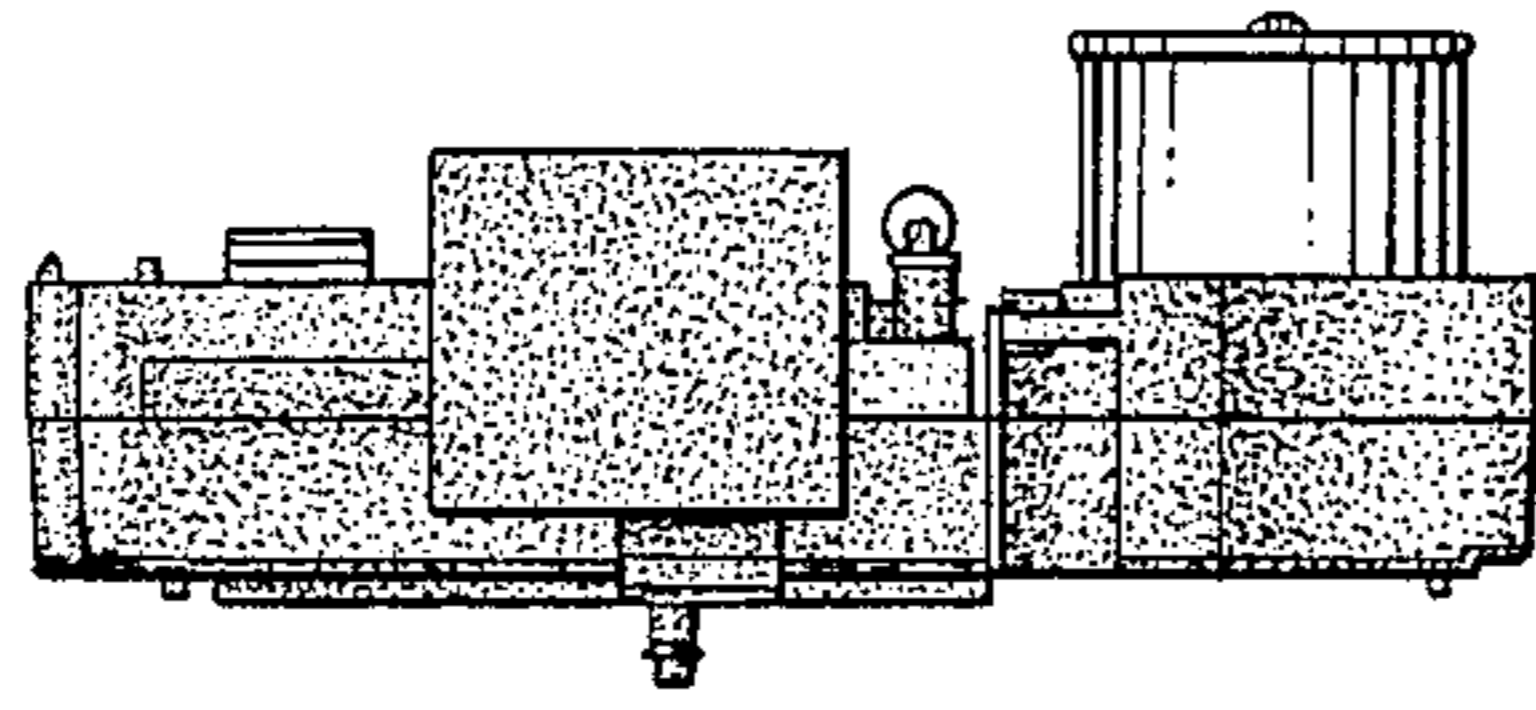


FIG. 3

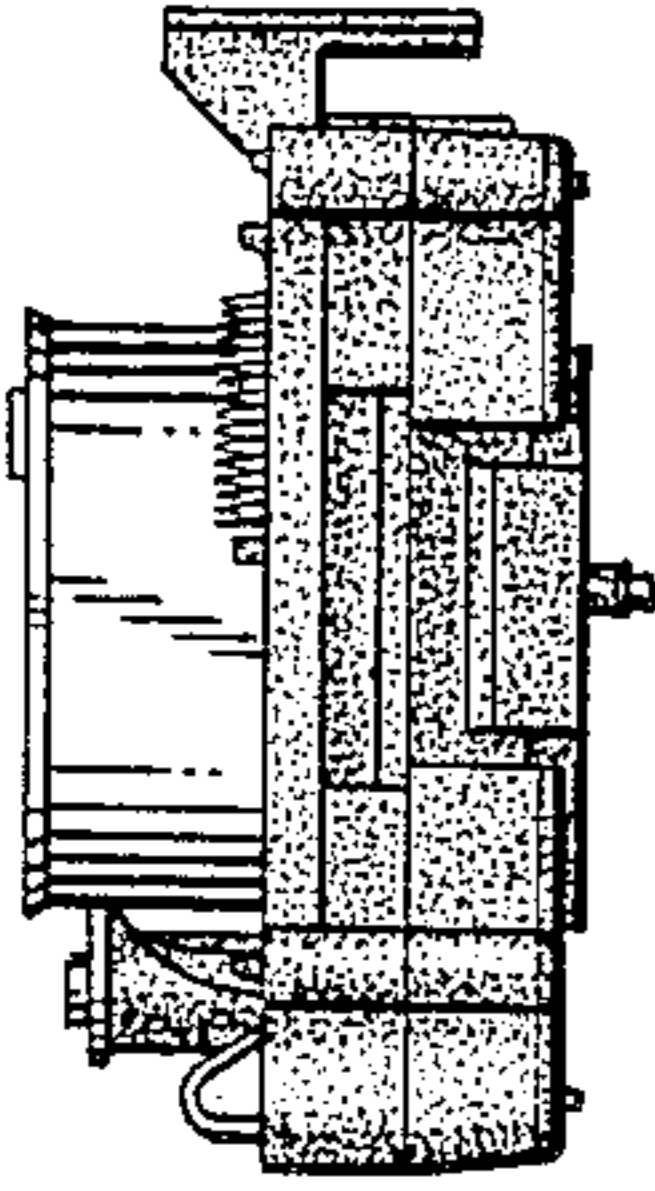


FIG. 4

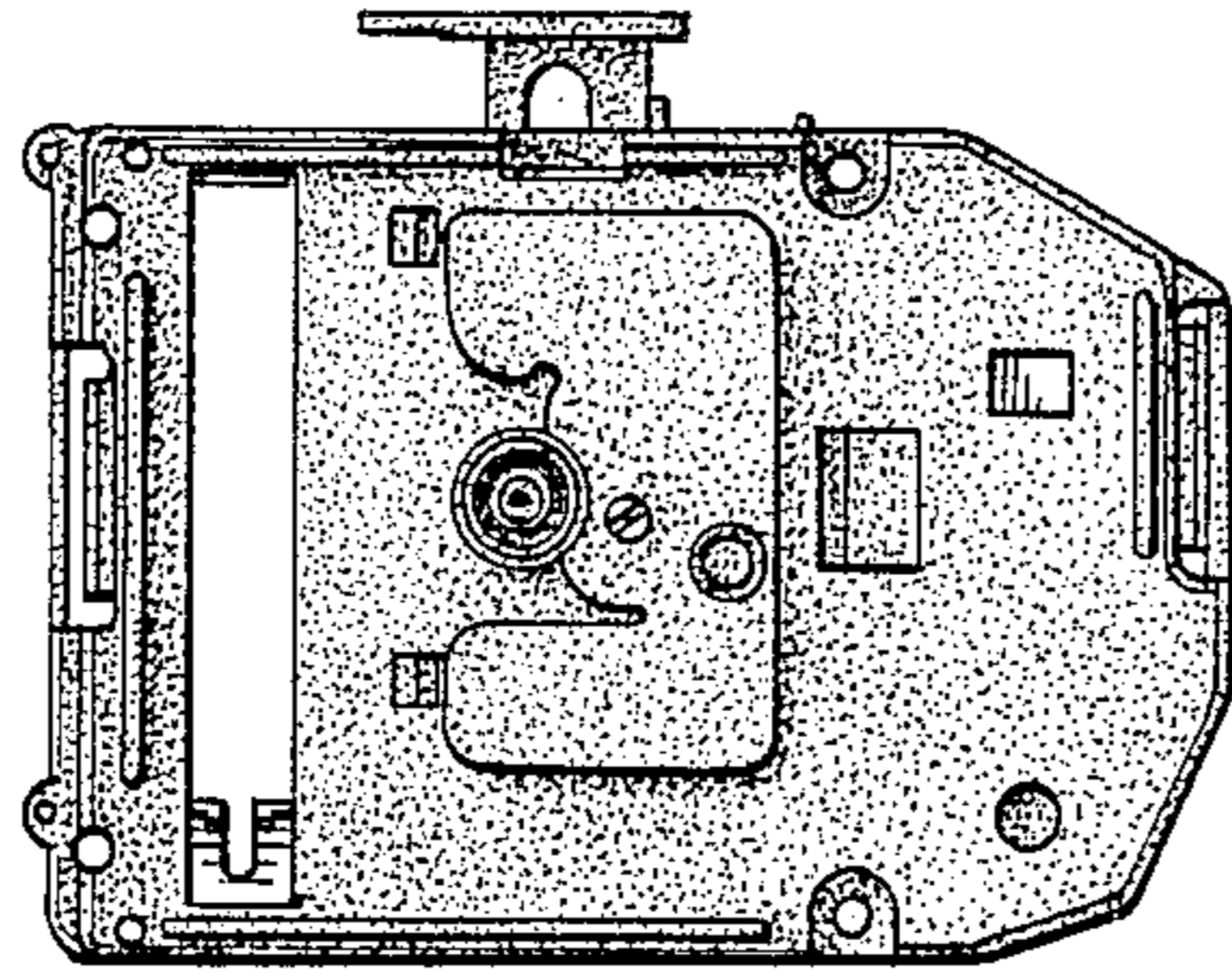


FIG. 1

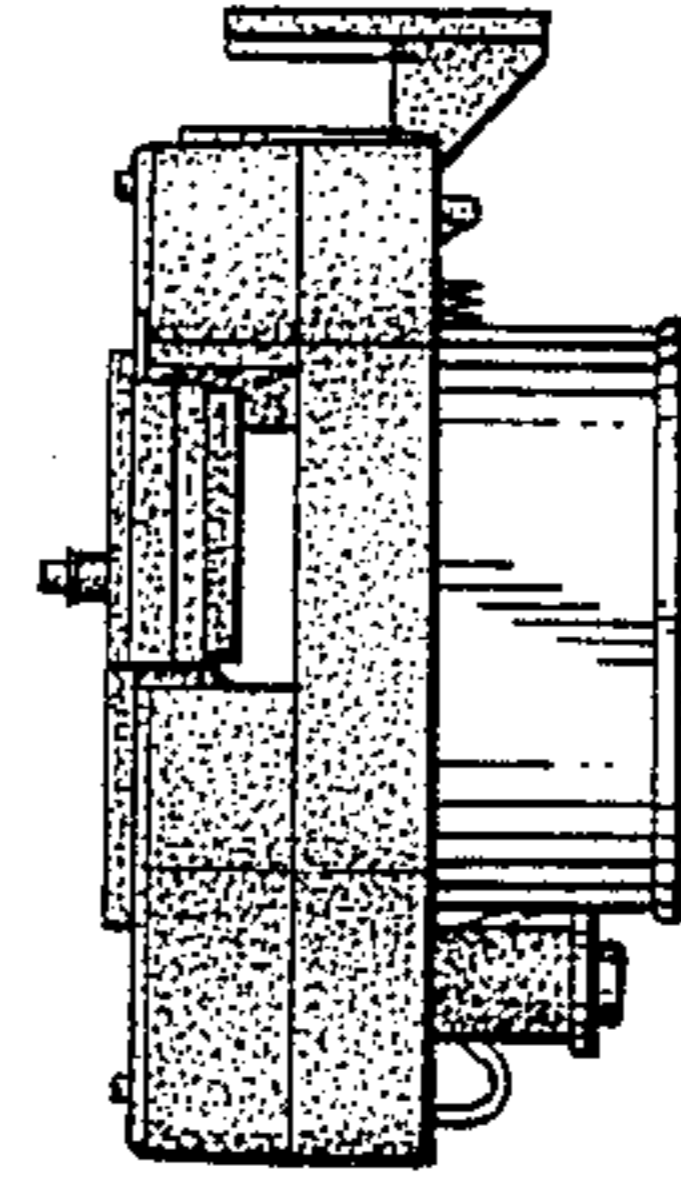


FIG. 5

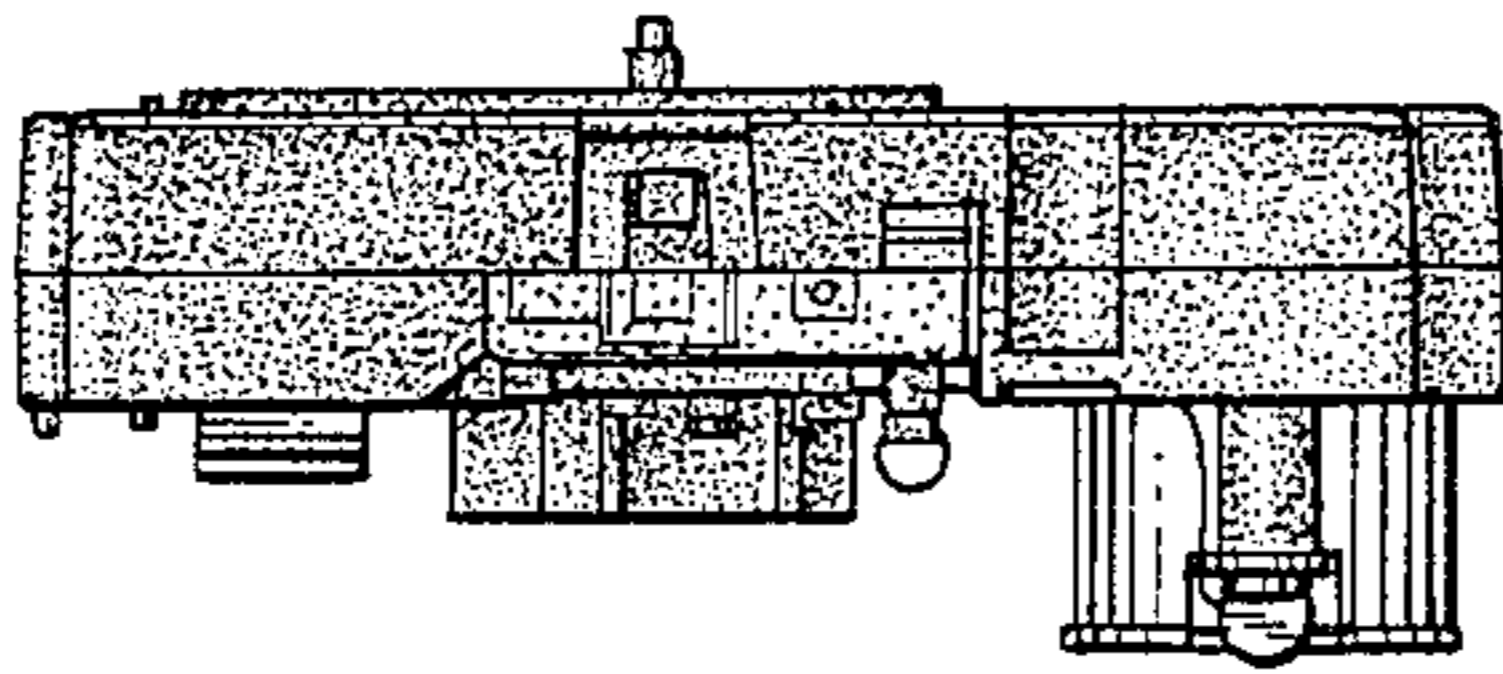


FIG. 6

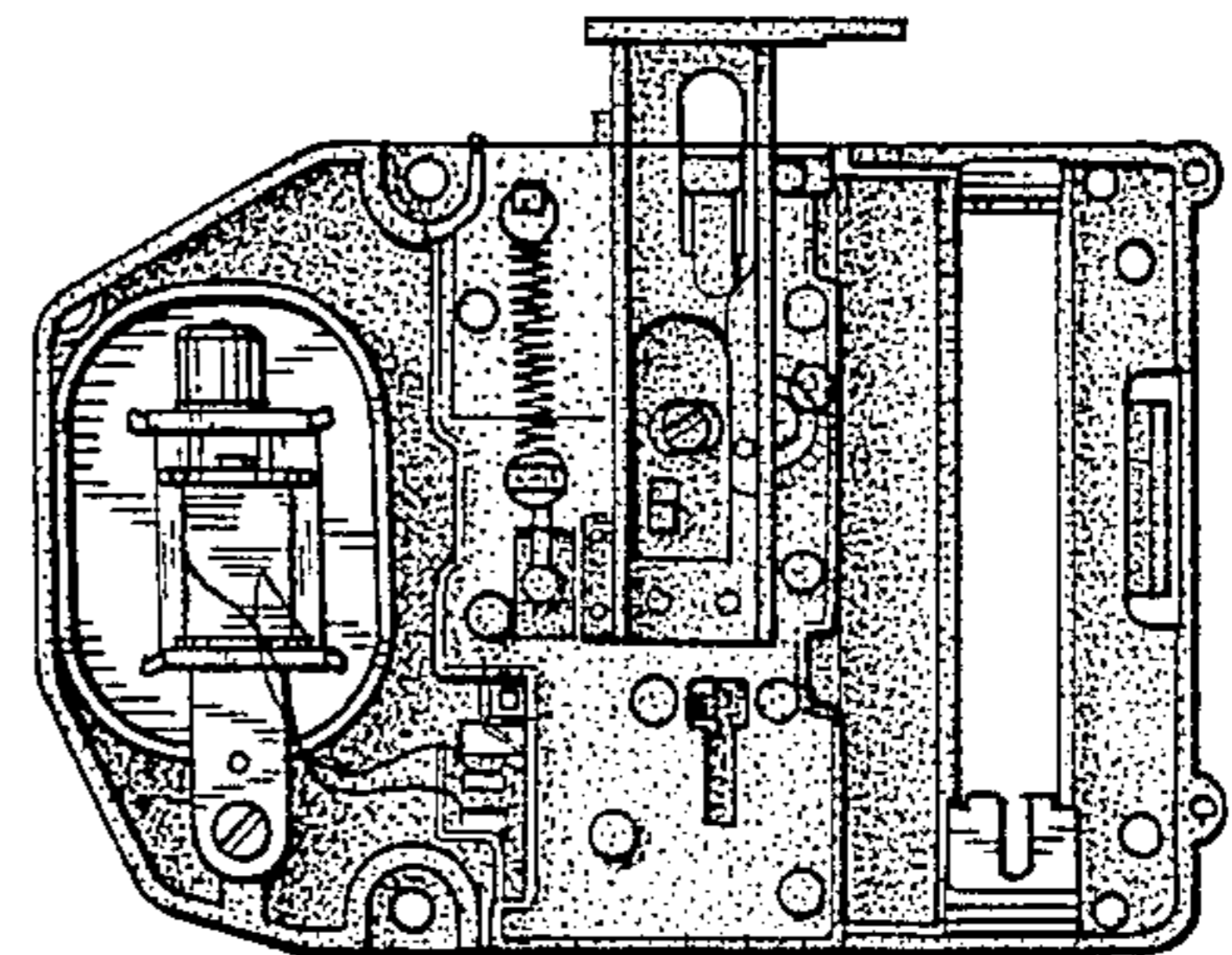


FIG. 2

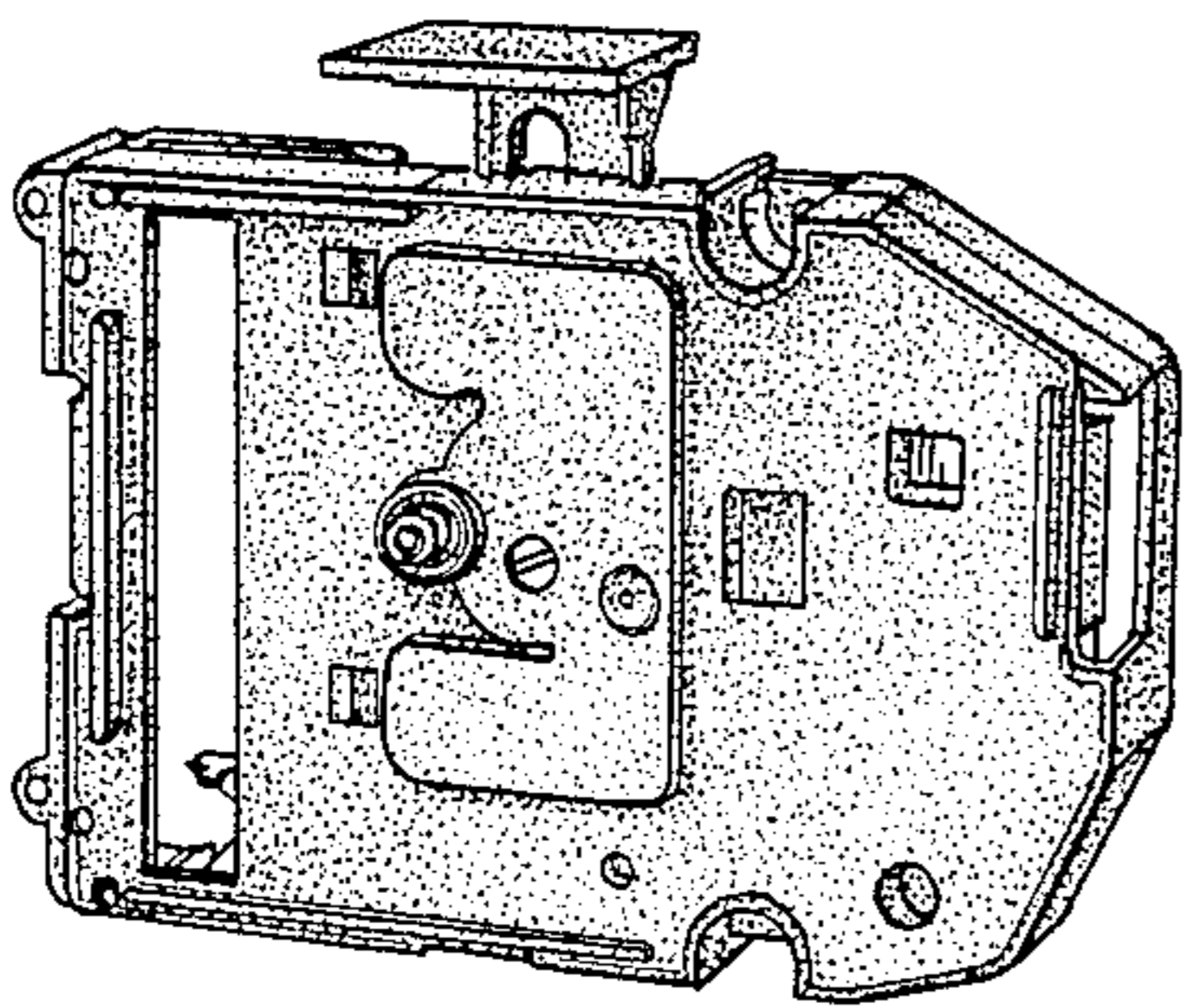


FIG. 7

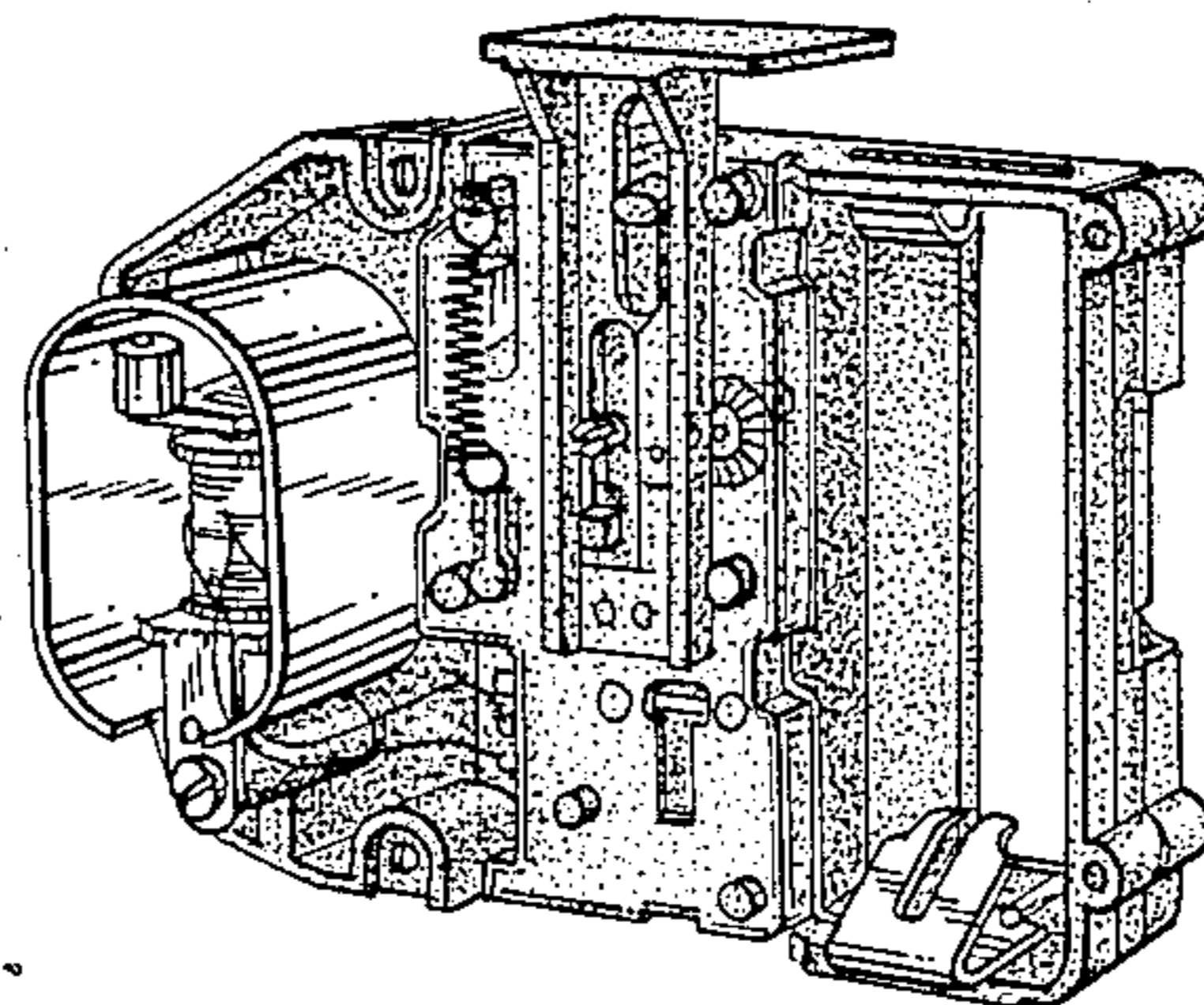


FIG. 8