

[54] TALKING SMOKE DETECTOR

[75] Inventors: Louis L. Mastro, Milford; Kenneth R. Parker, Madison Heights, both of Mich.

[73] Assignee: Pioneer Data Corporation, Fla.

[**] Term: 14 Years

[21] Appl. No.: 231,791

[22] Filed: Aug. 12, 1988

[52] U.S. Cl. D10/106

[58] Field of Search D10/104, 106; 340/628, 340/629, 630, 632, 633, 634

[56] References Cited

U.S. PATENT DOCUMENTS

- D. 253,169 10/1979 Conforte D10/106
- D. 258,353 2/1981 Mango et al. D10/106

- D. 297,316 8/1988 Mastro D10/106
- 4,525,703 6/1985 Bellino 340/628

Primary Examiner—James M. Gandy
Assistant Examiner—Marcus Jackson
Attorney, Agent, or Firm—Jones, Day, Reavis & Pogue

[57] CLAIM

The ornamental design for a talking smoke detector, as shown and described.

DESCRIPTION

FIG. 1 is a perspective view of talking smoke detector showing my new design;
 FIG. 2 is a top plan view thereof;
 FIG. 3 is a side elevational view, with the opposite side being a mirror image;
 FIG. 4 is a bottom plan view thereof;
 FIG. 5 is a front elevational view thereof;
 FIG. 6 is a rear elevational view thereof.

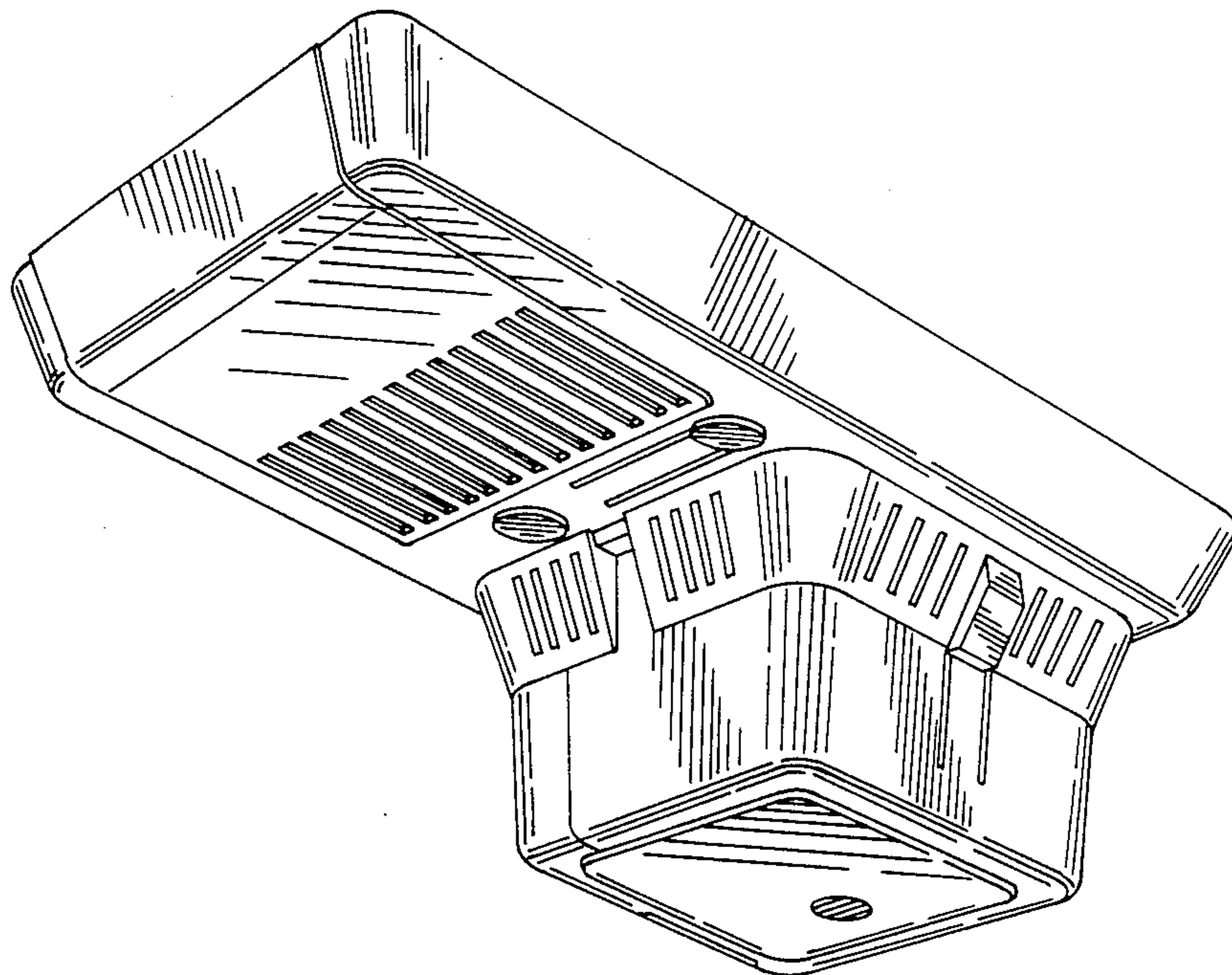


FIG. 1.

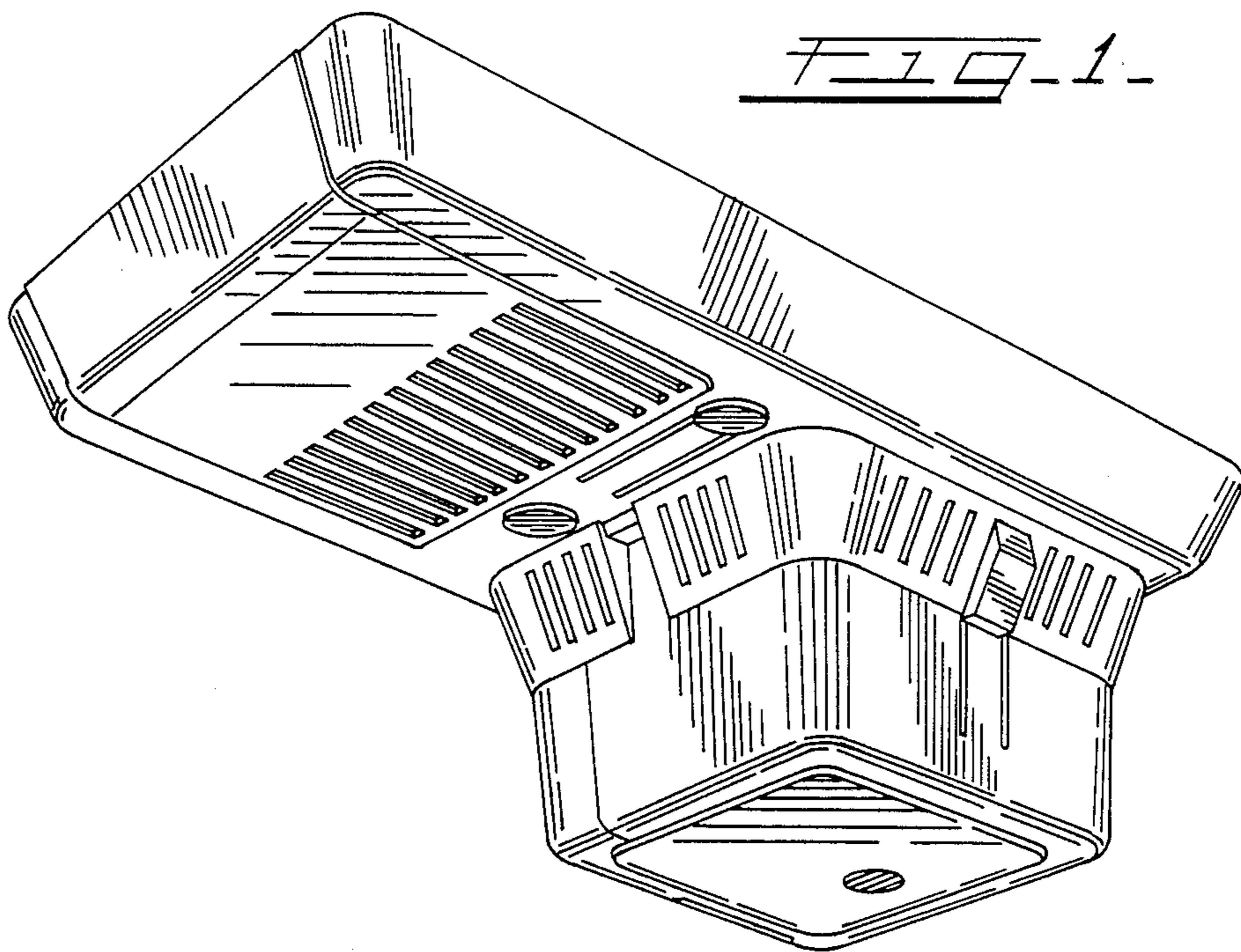


FIG. 2.

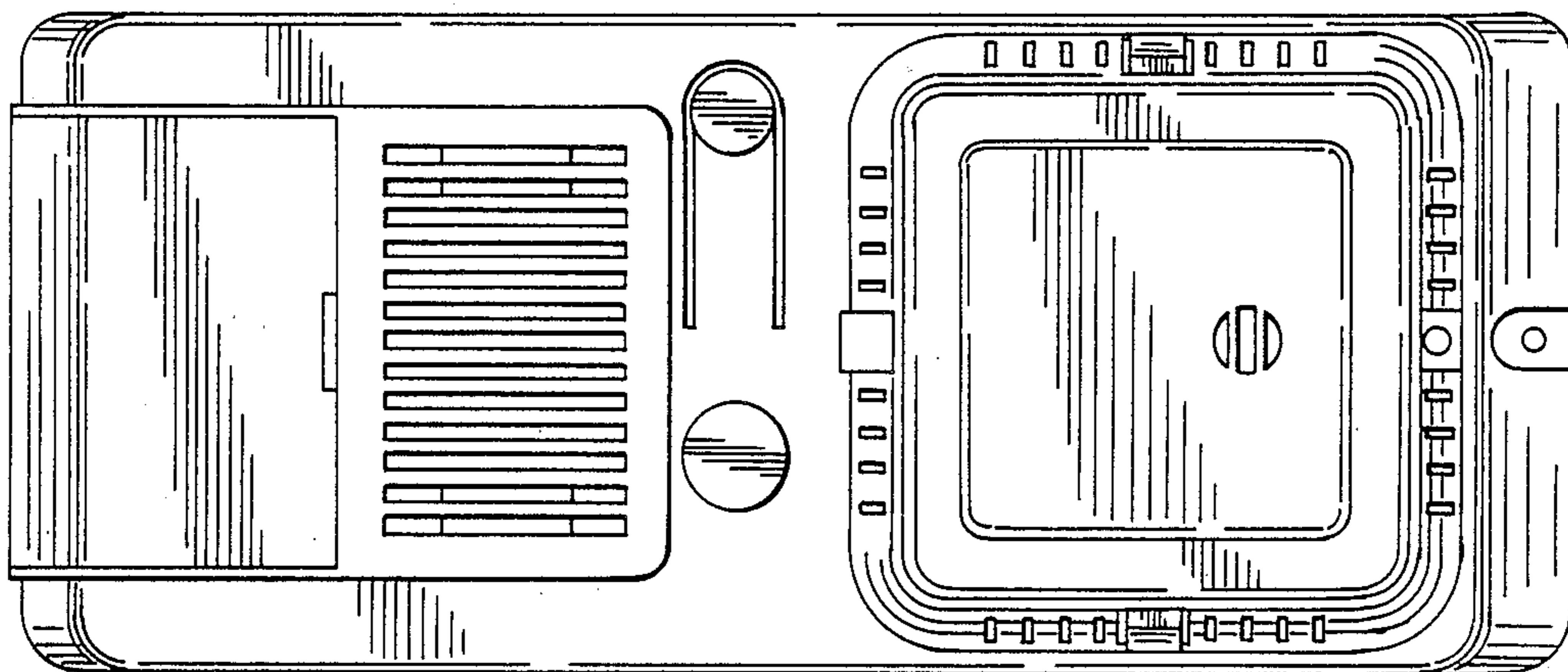


FIG. 3

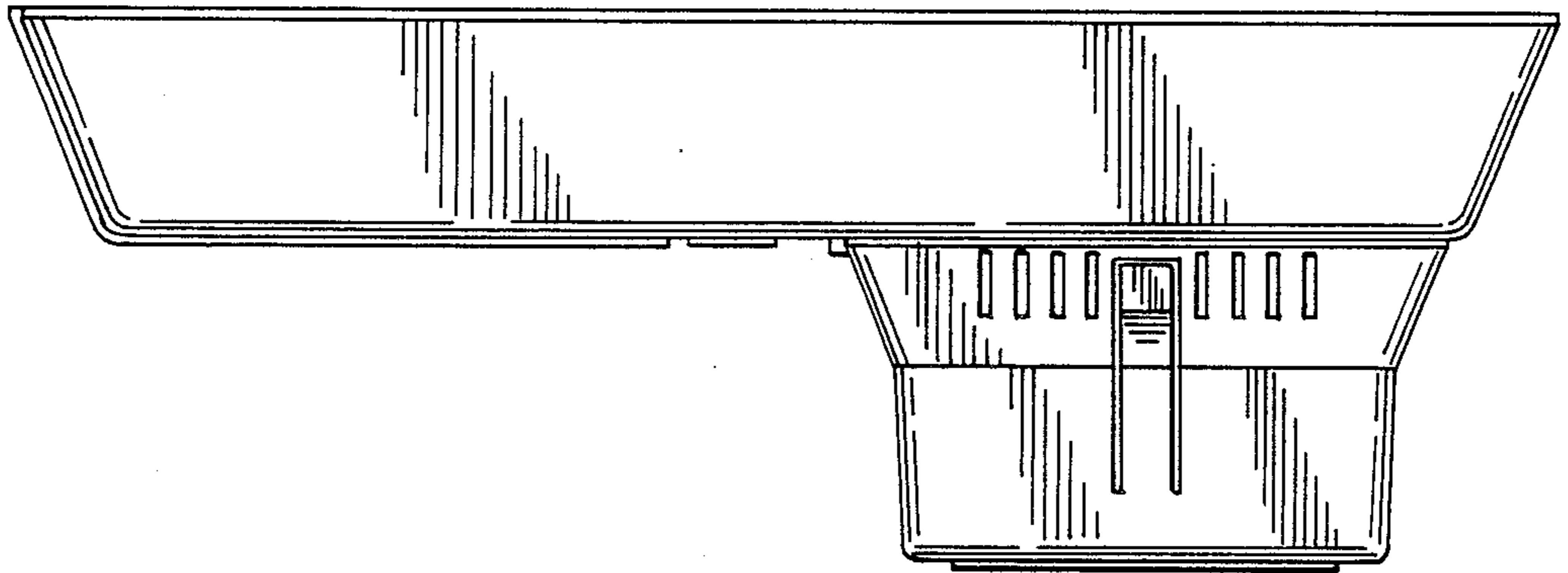


FIG. 4

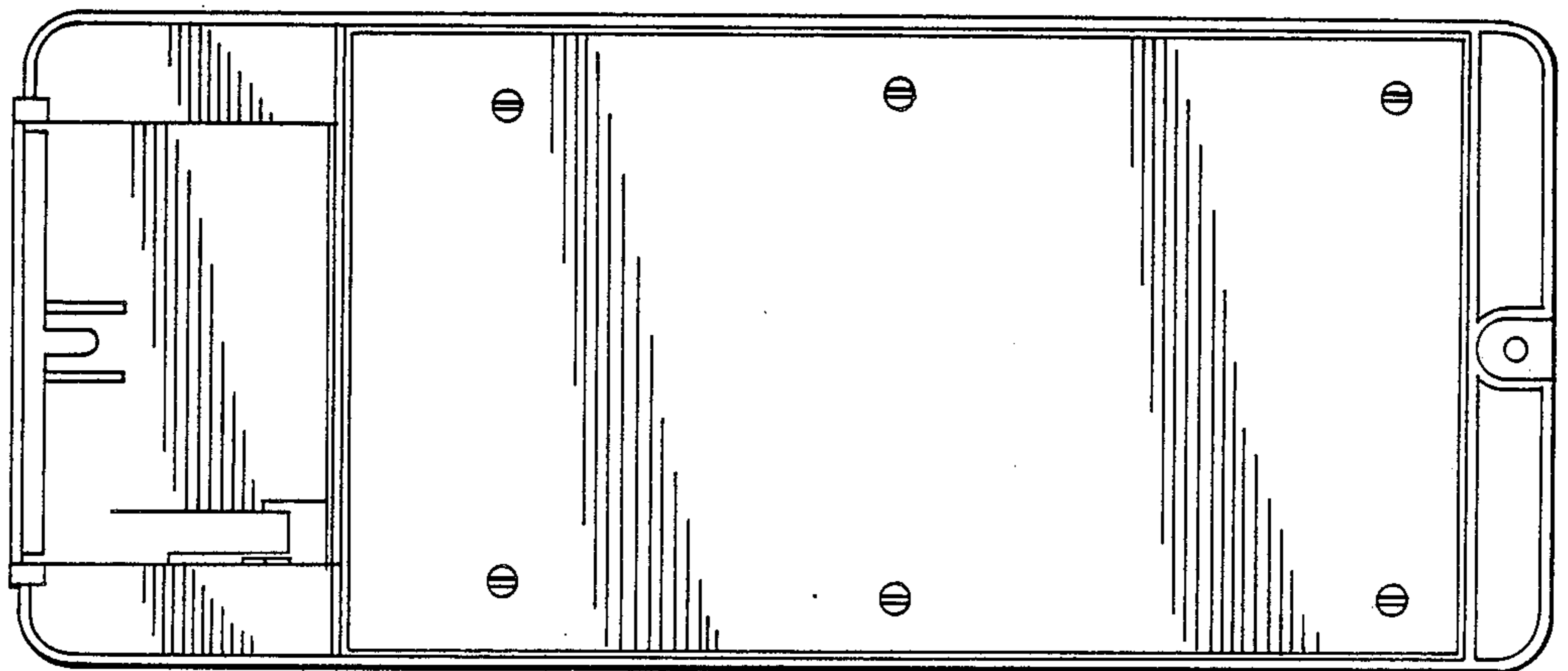


FIG. 5

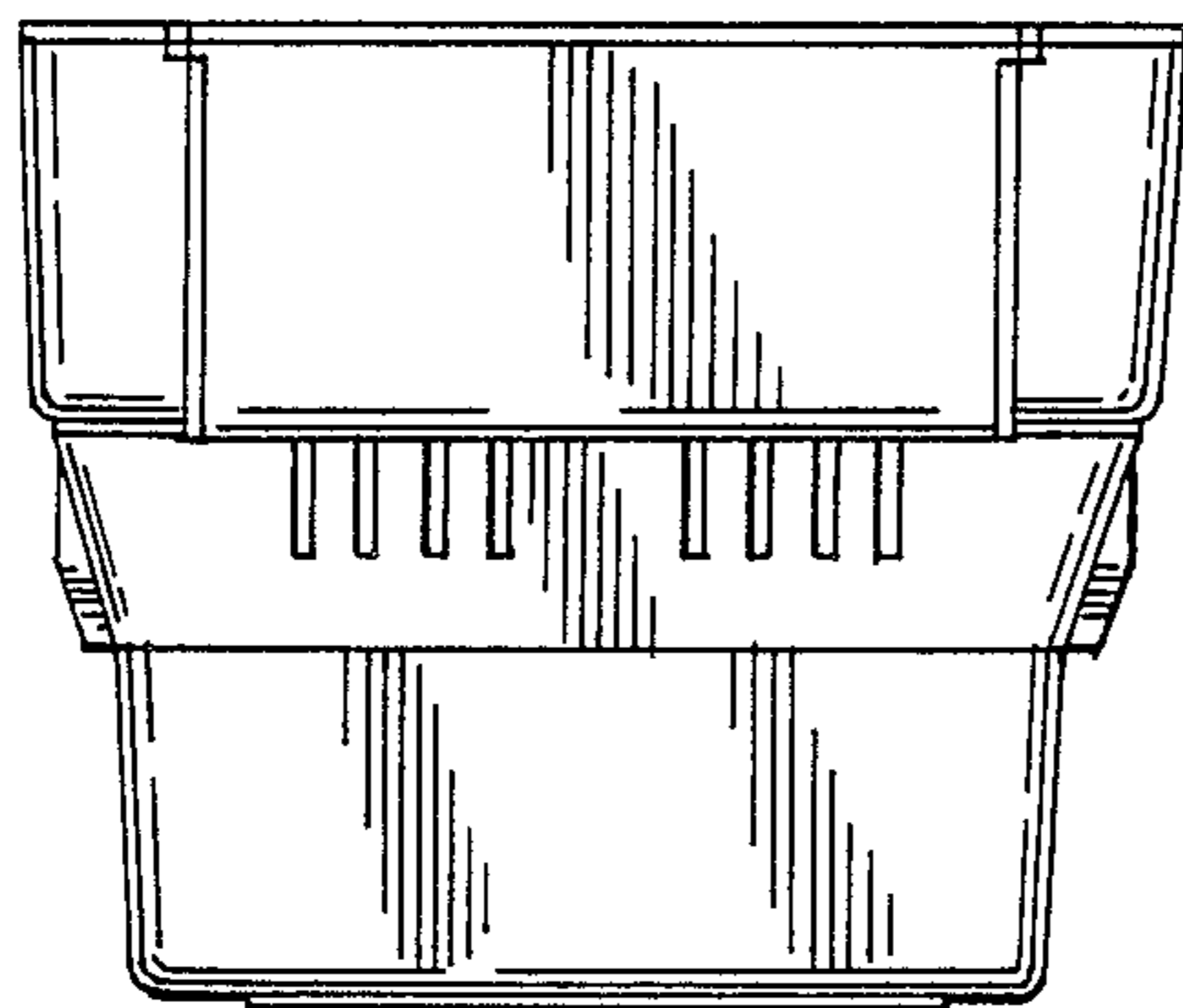


FIG. 6

