

[54] COMBINED SPIRIT LEVEL AND ANGLE-INDICATING DEVICE

[76] Inventors: Terrence Huxley, 66 Bedwellty Rd., Aberbargoed, Mid Glamorgan; Garry I. Lewis, Gresham Pl., Treharris, Mid Glamorgan, both of United Kingdom

[\*\*] Term: 14 Years

[21] Appl. No.: 133,051

[22] Filed: Dec. 15, 1987

[30] Foreign Application Priority Data

Jun. 16, 1986 [GB] United Kingdom ..... 1042874

[52] U.S. Cl. .... D10/62

[58] Field of Search ..... D10/61, 62, 64, 70, D10/71, 74; 33/290, 365, 367, 370, 377, 379, 381, 382, 383, 384, 338, 339; 364/356, 359

[56] References Cited

U.S. PATENT DOCUMENTS

84,880	12/1868	Hill	33/388
D. 166,905	6/1952	Coates	D10/62
D. 267,550	1/1983	Smyth et al.	D10/62
D. 285,780	9/1986	Wright et al.	D10/62
775,483	11/1904	Whitehouse	33/387
806,987	12/1905	McDowell	33/388
825,934	7/1906	Pierson	33/483
1,141,617	6/1915	Creamer	33/387
1,463,375	7/1923	Shields	33/485
1,657,546	1/1928	Patton	33/388

1,830,009	11/1931	Walters	33/388
2,277,071	3/1942	Cassell	33/388
2,415,926	5/1945	Wilt	D10/62
2,633,640	4/1953	Bucsko	D10/69 X
2,692,440	10/1954	Walters	33/387
3,159,926	12/1964	Holdever	33/387
3,310,878	3/1967	Giba	33/483
3,740,858	6/1973	Ostrager	33/382 X
4,381,607	5/1983	Place	33/339 X
4,648,185	3/1987	Brandimarte	33/485 X
4,805,315	2/1989	Nesbitt	33/403 X

FOREIGN PATENT DOCUMENTS

317275	8/1918	Fed. Rep. of Germany	33/387
642481	7/1962	Italy	33/384
0040706	4/1981	Japan	33/384
164177	6/1921	United Kingdom	33/387

Primary Examiner—Nelson C. Holtje  
Assistant Examiner—Antoine D. Davis  
Attorney, Agent, or Firm—Body, Vickers & Daniels

[57] CLAIM

The ornamental design for a combined spirit level and angle-indicating device, as shown and described.

DESCRIPTION

FIG. 1 is a front elevational view of a combined spirit level and angle-indicating device showing our new design;  
FIG. 2 is a top plan view;  
FIG. 3 is a bottom plan view;  
FIG. 4 is a rear elevational view;  
FIG. 5 is a left side elevation view; and  
FIG. 6 is a right side elevational view.

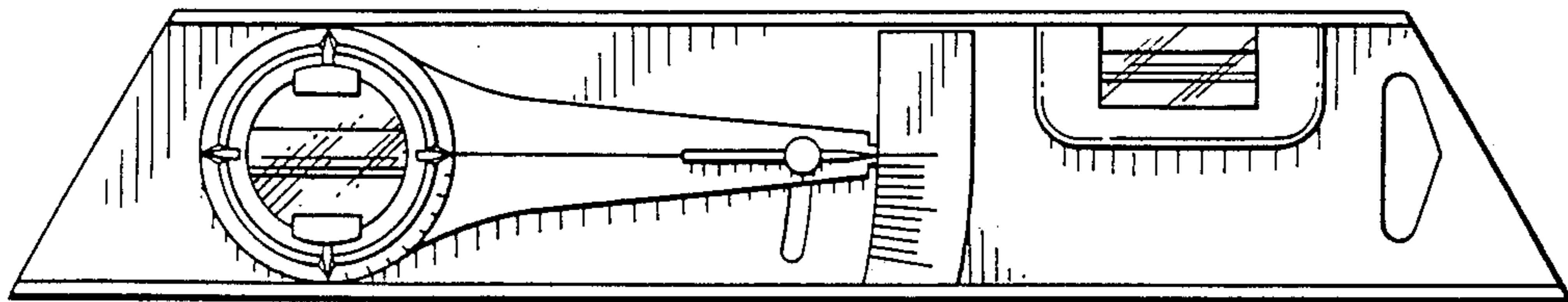


FIG. 1.

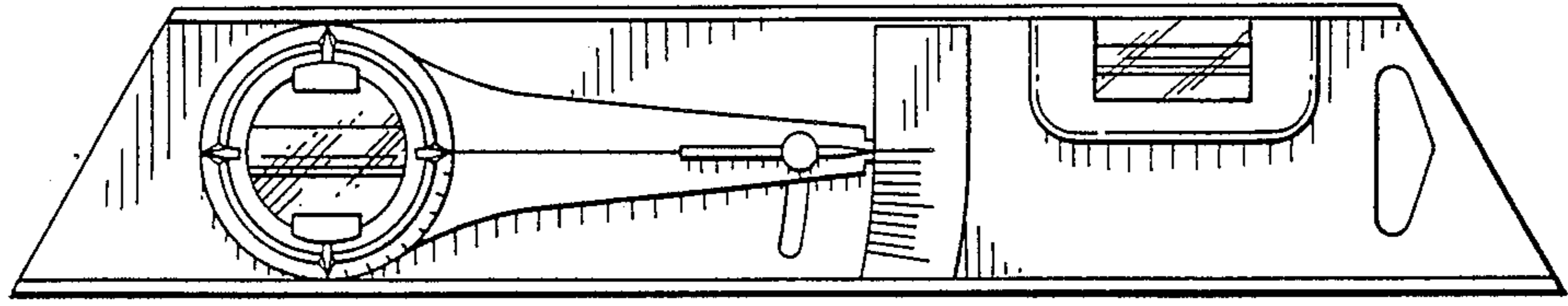


FIG. 2.

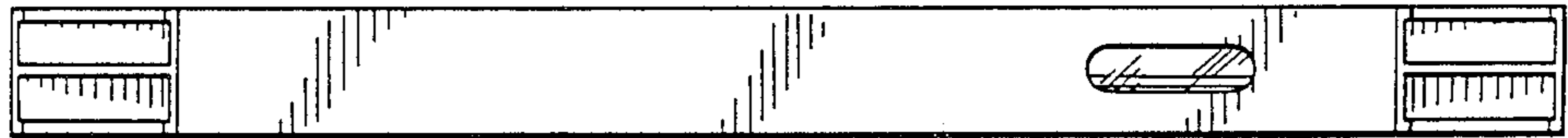


FIG. 3.

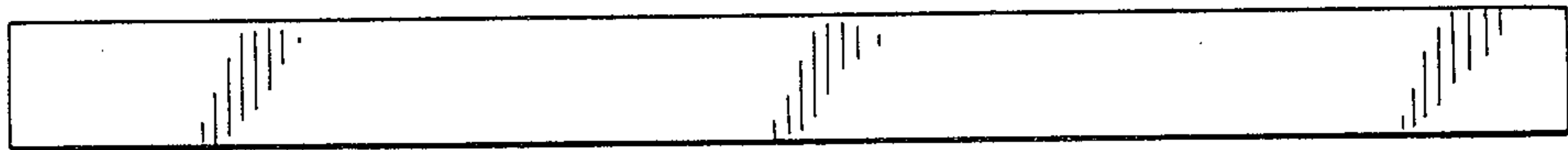


FIG. 4.

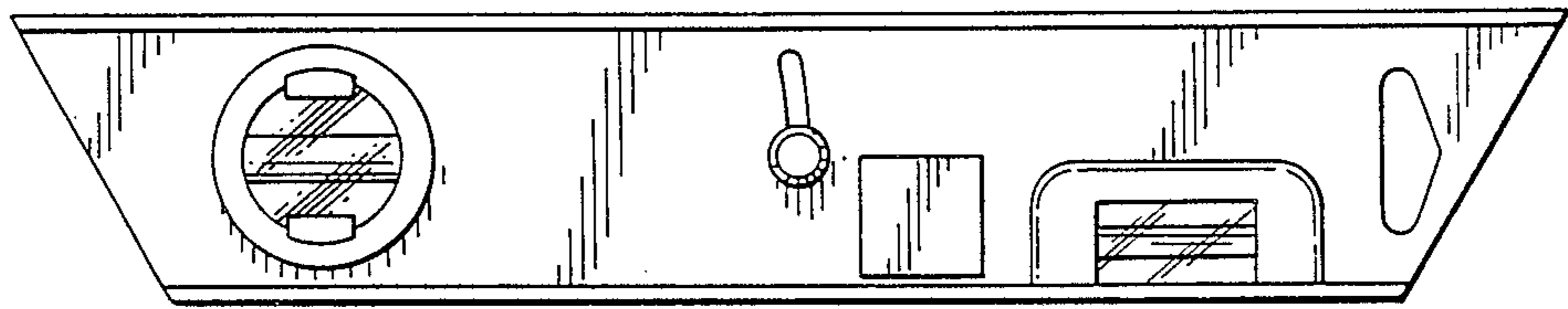


FIG. 5.

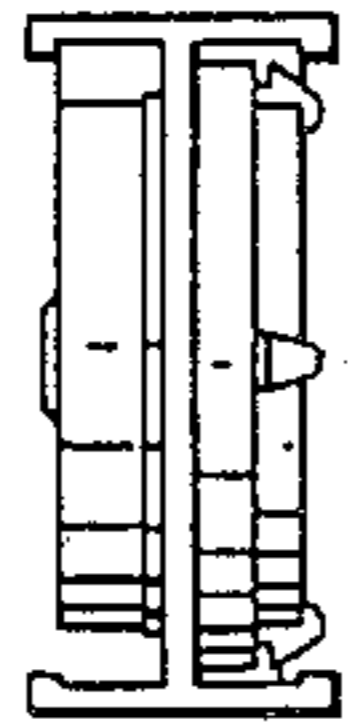


FIG. 6.

