

[54] COMBINED WRISTWATCH AND COUNT-DOWN TIMER

[75] Inventor: John T. Houlihan, Watertown, Conn.

[73] Assignee: Timex Corporation, Waterbury, Conn.

[\*\*] Term: 14 Years

[21] Appl. No.: 48,282

[22] Filed: May 11, 1987

[52] U.S. Cl. .... D10/30

[58] Field of Search ..... D10/30-39, D10/122-126; 368/69, 107-112, 240, 276, 281-285

[56] References Cited

U.S. PATENT DOCUMENTS

D. 245,074	7/1977	Karibe	.....	D10/124
D. 257,479	11/1980	Carré	.....	D10/30
D. 267,785	2/1983	Heuer	.....	D10/30
D. 279,273	6/1985	Giugiaro	.....	D10/30
D. 287,341	12/1986	Grimes	.....	D10/30
D. 293,300	12/1987	Nikaido	.....	D10/32
3,871,170	3/1975	Bergey	.....	368/225
4,036,007	7/1977	Shelley	.....	368/225

OTHER PUBLICATIONS

*Hong Kong Enterprise*, 3/85, p. 170, Stopwatch/Timer, bottom left.

*Best Catalog*, 8/1985, p. 94, Watch, center left.

Casio Catalog page of Digipaper Watch Models FS 10, FS 20, FS 21 (Enclosed). Date and identification of catalog unknown.

*Primary Examiner*—Nelson C. Holtje

*Assistant Examiner*—Gary D. Watson

*Attorney, Agent, or Firm*—William C. Crutcher

[57] CLAIM

The ornamental design for a combined wristwatch and count-down timer, as shown and described.

DESCRIPTION

FIG. 1 is a left front perspective view of a combined wristwatch and count-down timer, showing my new design;

FIG. 2 is a front plan view thereof;

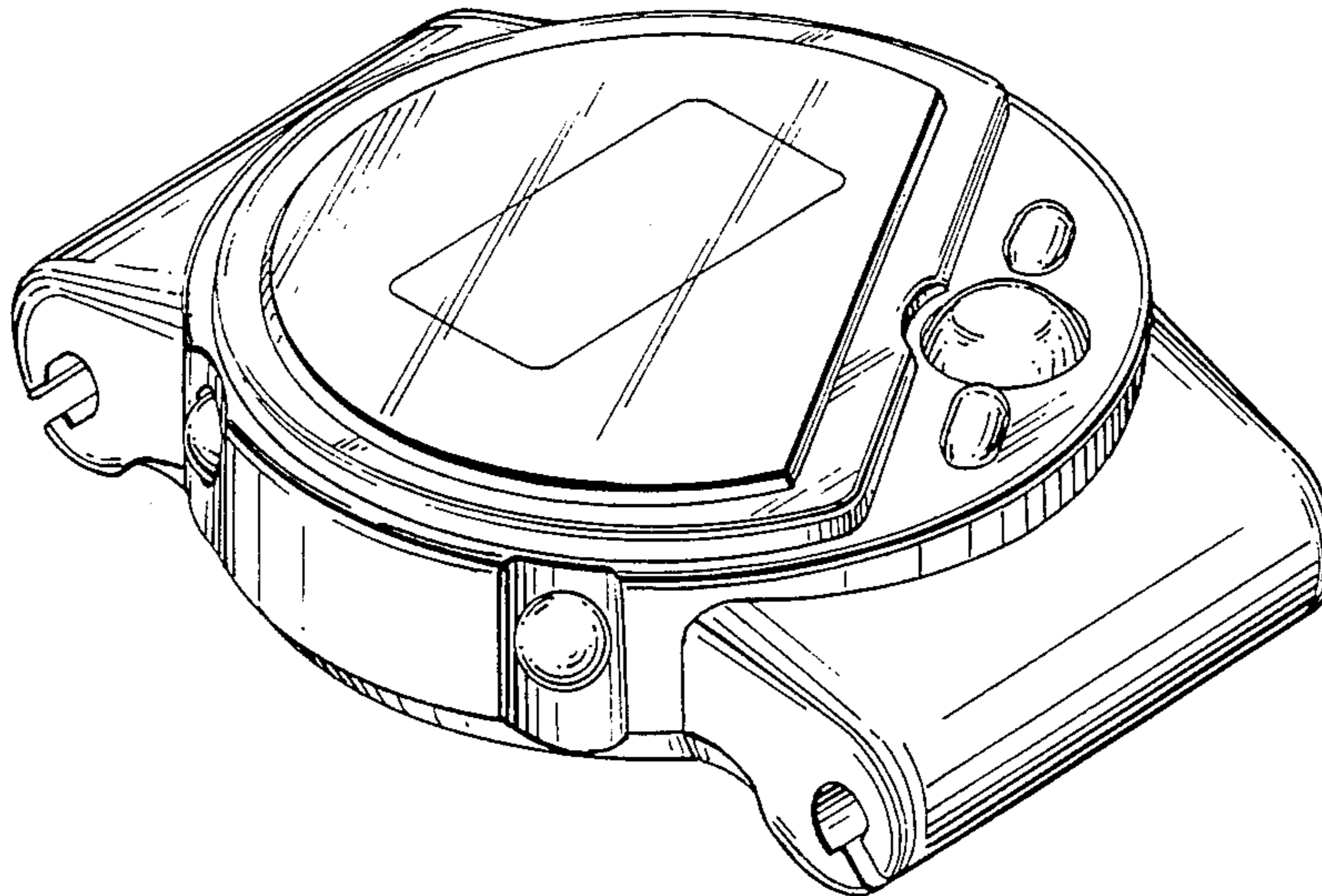
FIG. 3 is a left side elevational view thereof;

FIG. 4 is a right side elevational view thereof;

FIG. 5 is a bottom plan elevational view thereof;

FIG. 6 is a top plan elevational view thereof;

FIG. 7 is a rear plan view thereof.



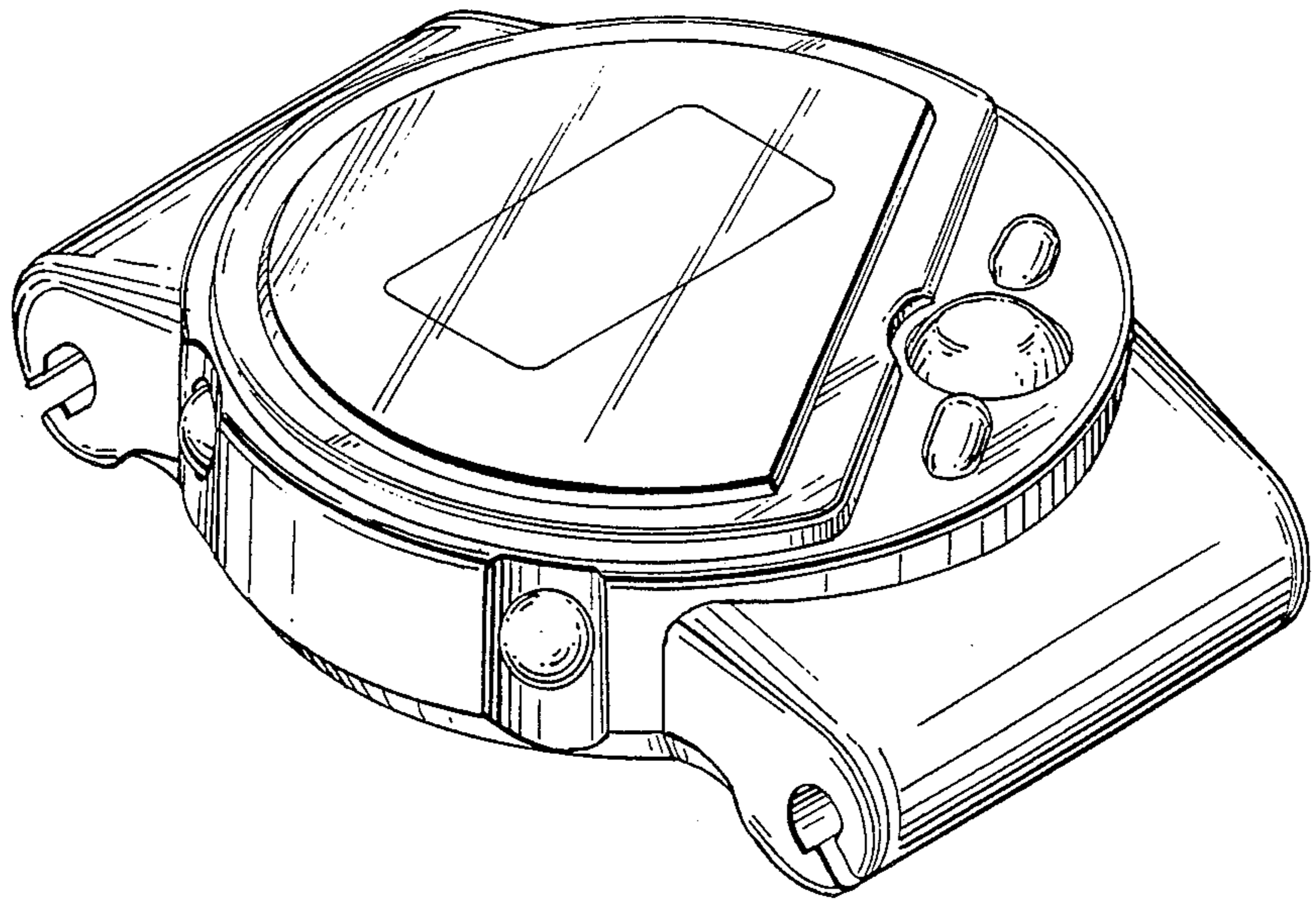


FIG. 1

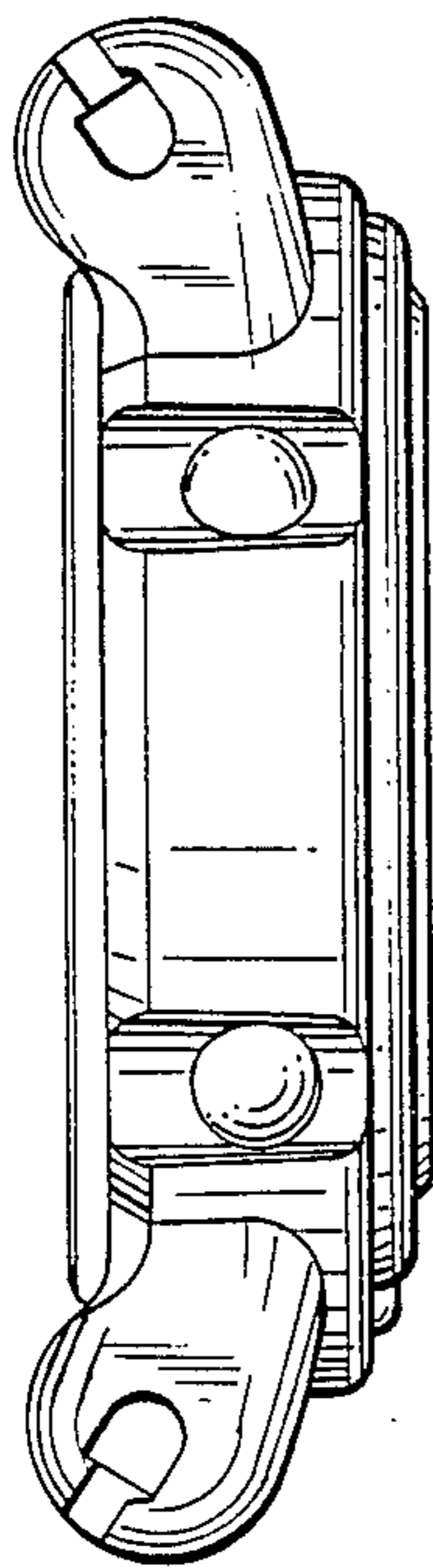


FIG. 3

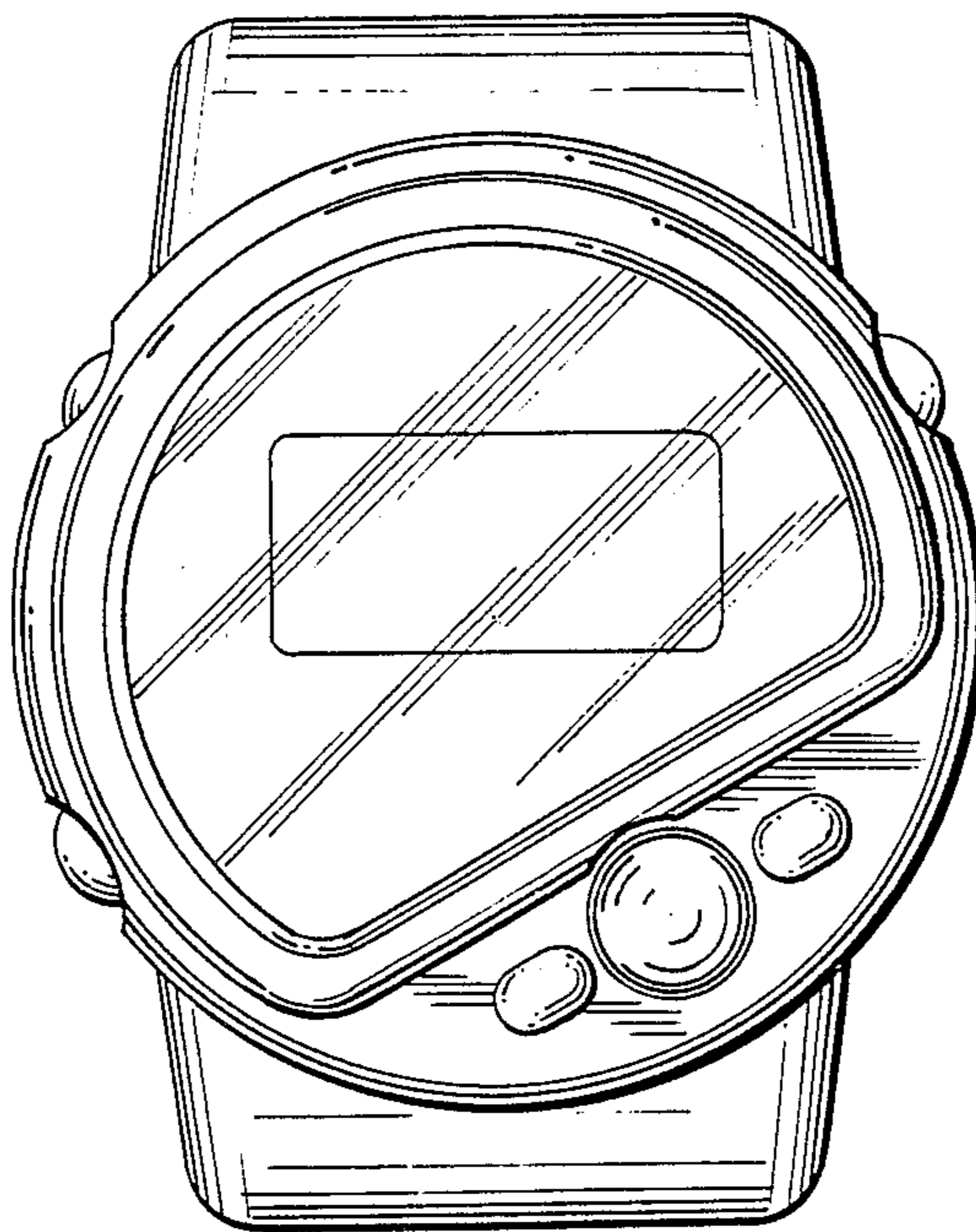


FIG. 2

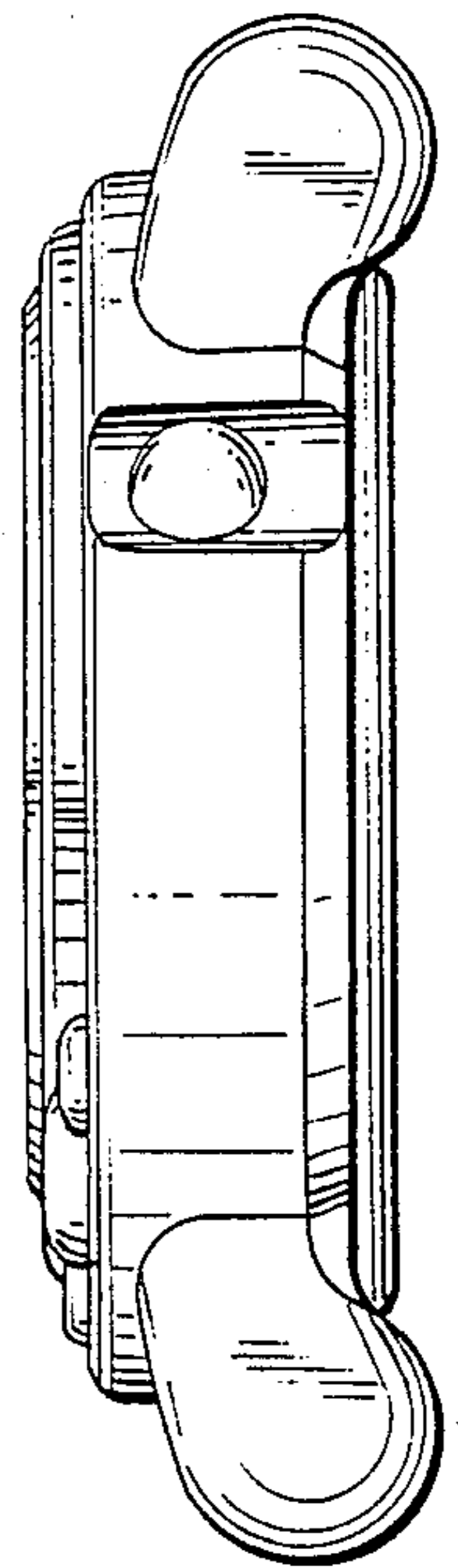


FIG. 4

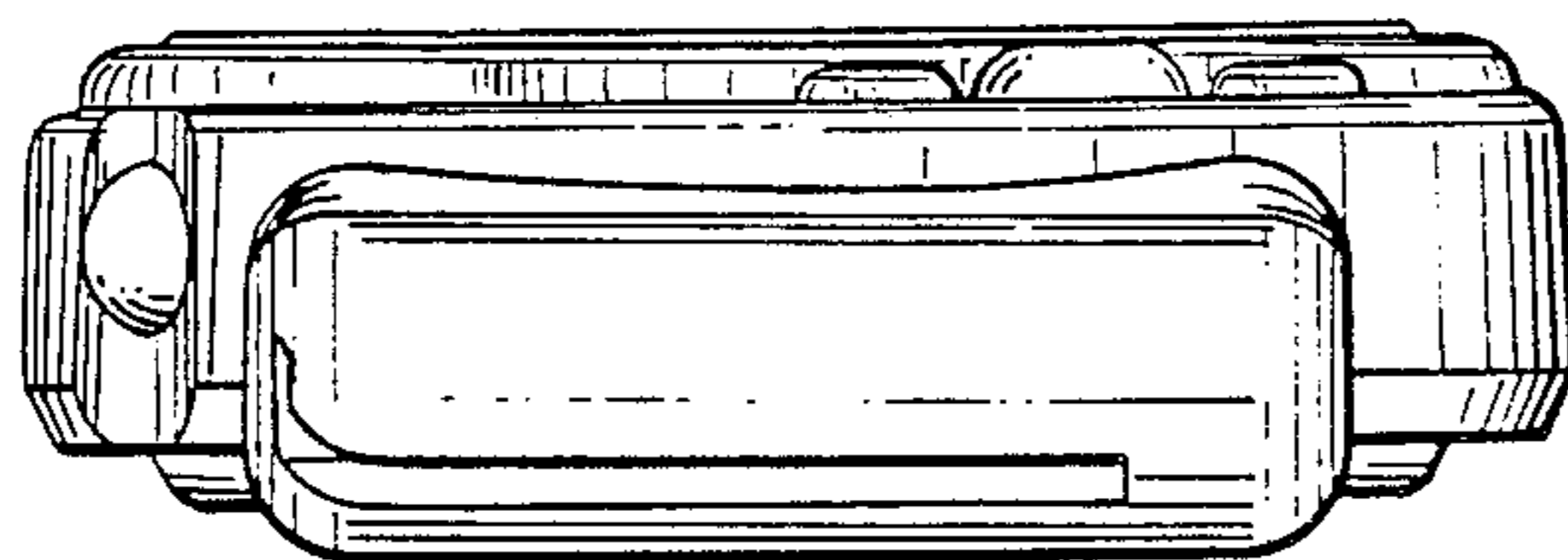


FIG. 5

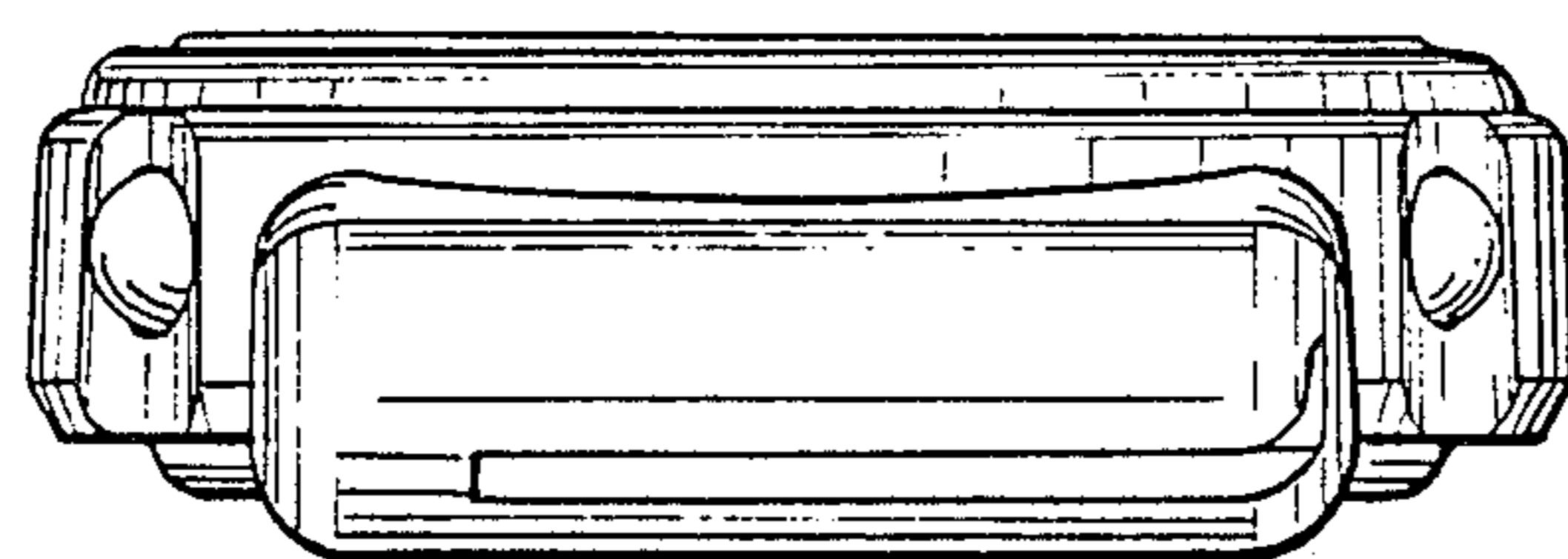


FIG. 6

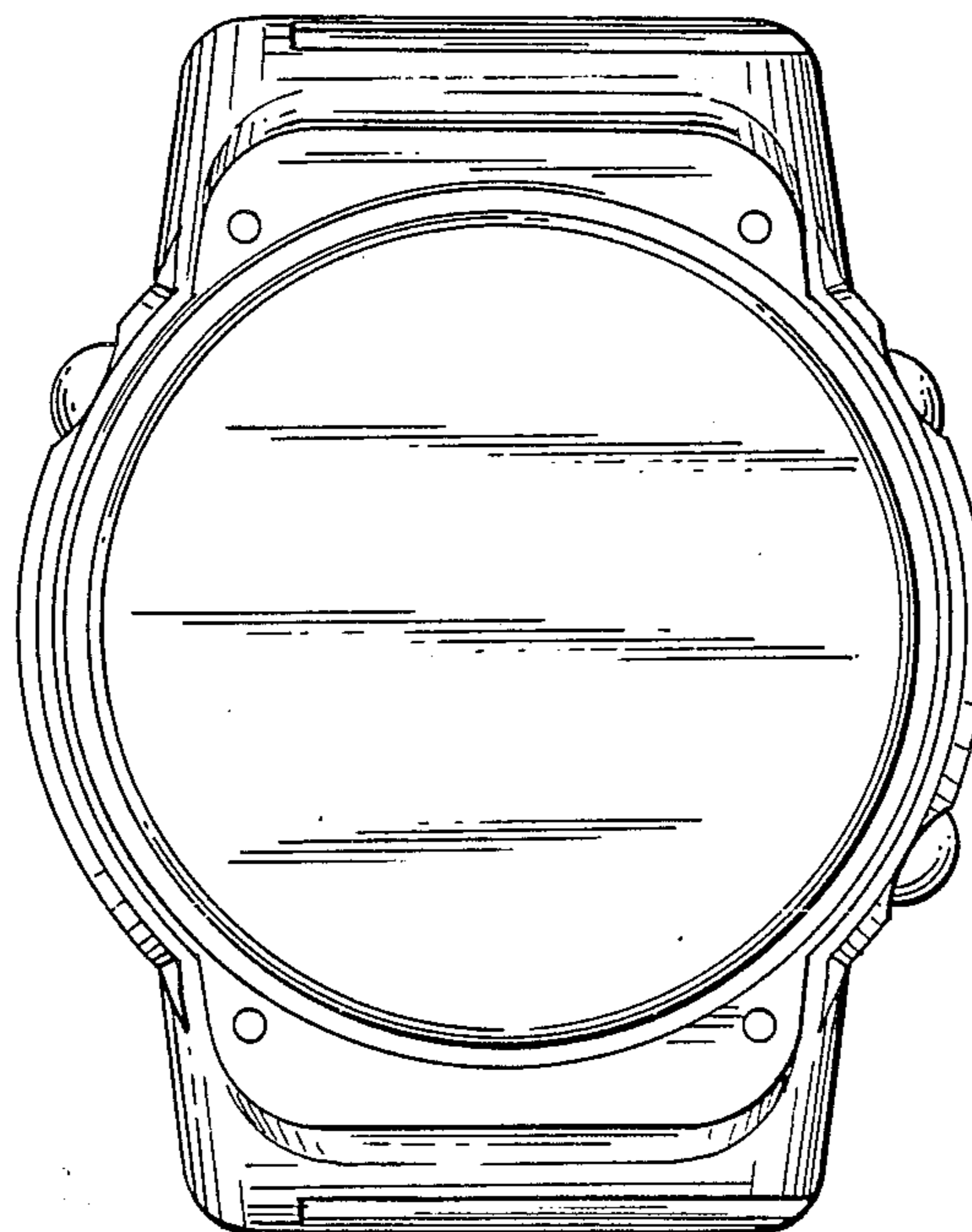


FIG. 7