

[54] PIZZA RACK FOR A CARTON

4,121,510 10/1978 Frederick 219/10.55 E X

[76] Inventor: Robert E. Weed, 1445 S. Laramie Ave., Chicago, Ill. 60650

Primary Examiner—Bruce W. Dunkins
Assistant Examiner—Janice Seeger
Attorney, Agent, or Firm—Edward D. Gilhooly

[**] Term: 14 Years

[21] Appl. No.: 123,661

[57] CLAIM

The ornamental design for a pizza rack for a carton, as shown.

[22] Filed: Nov. 20, 1987

[52] U.S. Cl. D9/456; D7/359

[58] Field of Search D7/352, 353, 410, 409, D7/411, 359, 363, 332; 99/426, 372, 380, 376, 419; 219/10.55 E; D1/128, 126, 129; 211/180, 181; 126/337 R; D9/456

DESCRIPTION

FIG. 1 is a side perspective view of a pizza rack for a carton showing my new design;
FIG. 2 is a top plan view of the pizza rack for a carton of FIG. 1;
FIG. 3 is an end elevational view of the pizza rack for a carton of FIG. 1, and
FIG. 4 is a side elevational view of the pizza rack for a carton of FIG. 1.
The bottom of the pizza rack for a carton in the undisclosed end thereof are mirror images of the top and end shown in FIGS. 2 and 3 respectively.

[56] References Cited

U.S. PATENT DOCUMENTS

D. 277,044	1/1985	Kuhlman	D1/128 X
2,199,303	4/1940	Damon	99/419
2,769,715	11/1956	Stahmer	D1/126 X
2,815,530	12/1957	Alexander	99/419 X
2,859,685	11/1958	Alexander	99/419

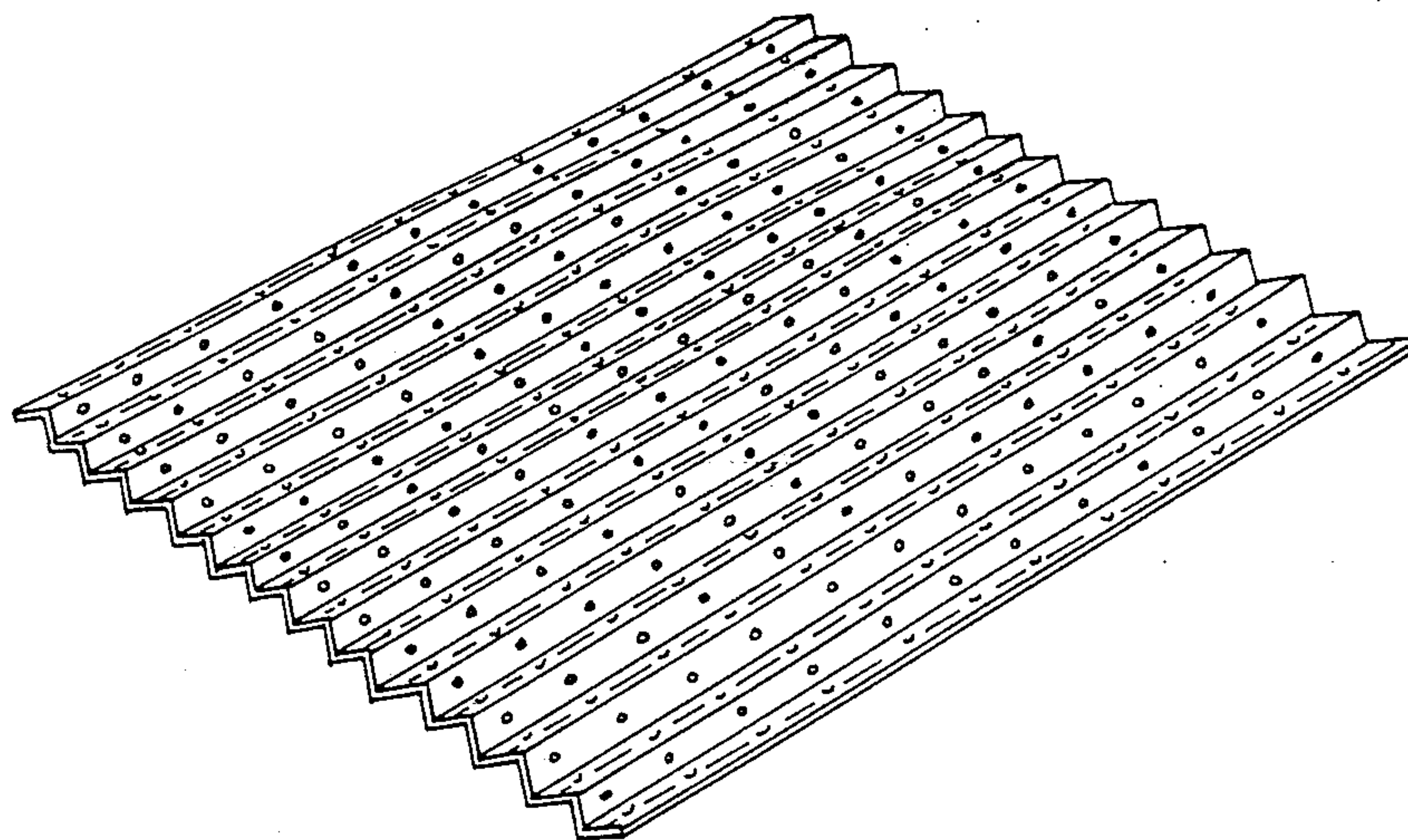


FIG-2-

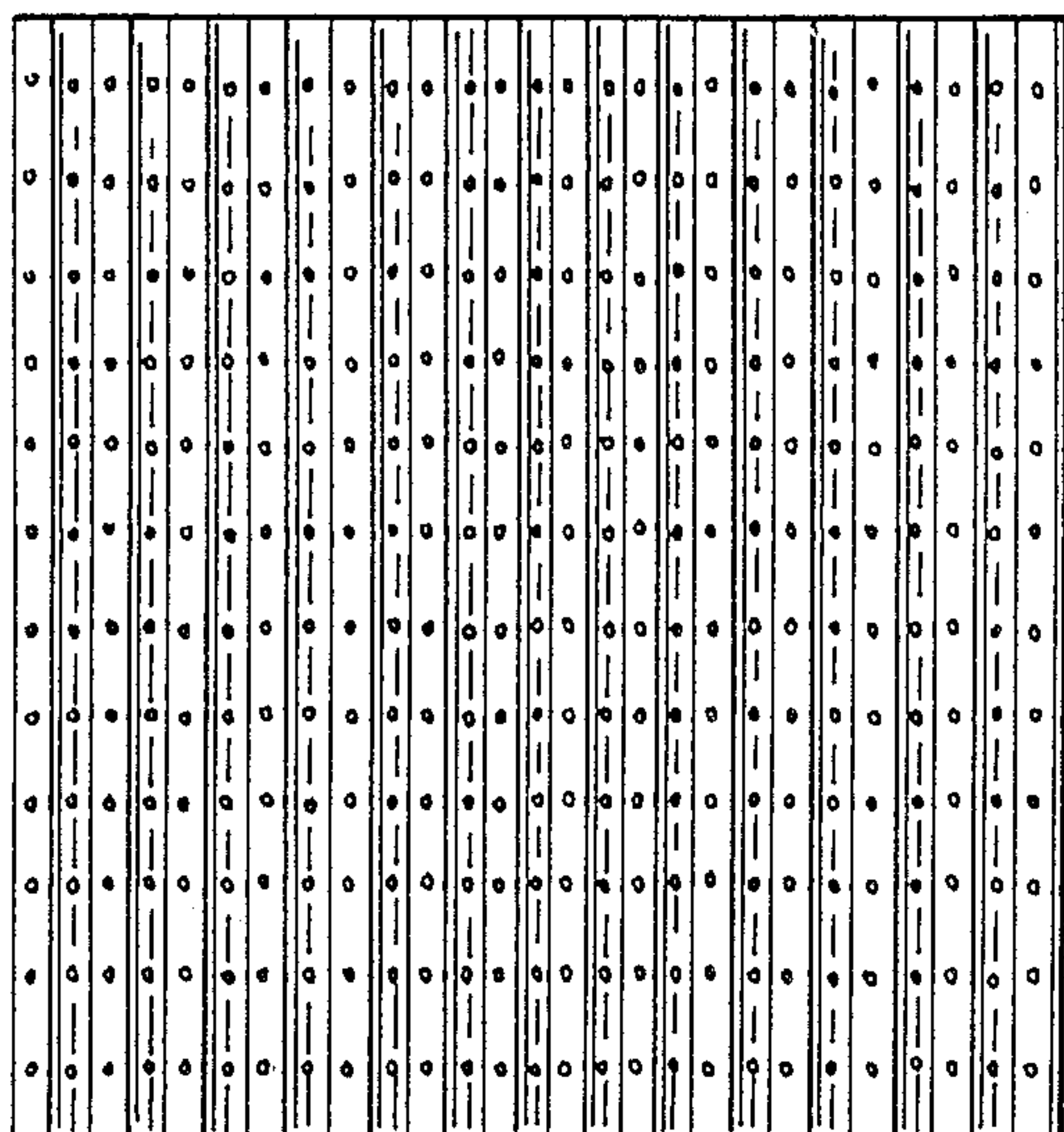


FIG-4-



FIG-1-

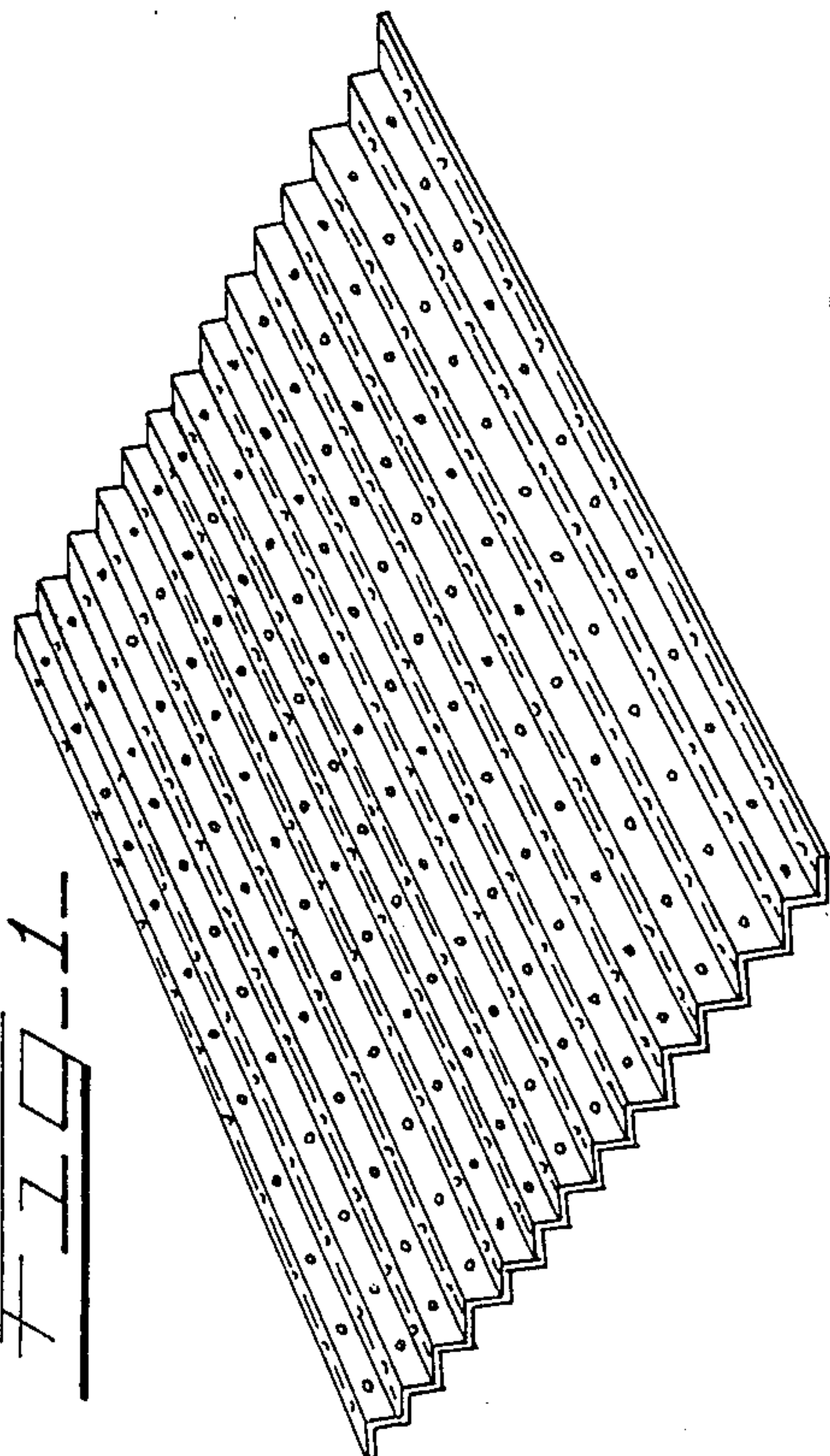


FIG-3-

