

United States Patent [19]

Serio, Jr.

[11] Patent Number: Des. 311,338

[45] Date of Patent: ** Oct. 16, 1990

[54] SEAL FOR CONTAINERS

[75] Inventor: Donald L. Serio, Jr., Fontana, Calif.

[73] Assignee: Serco Mold, Inc., Covina, Calif.

[**] Term: 14 Years

[21] Appl. No.: 211,852

[22] Filed: Jun. 27, 1988

[52] U.S. Cl. D9/434

[58] Field of Search D9/434, 435, 499;
D25/60; 49/475, DIG. 2; 52/288; 215/234;
220/233, 240, 308, 310, 344, 357, 358, 378;
221/33, 45; 401/208, 209, 213, 220; 277/207 R

[56] References Cited

U.S. PATENT DOCUMENTS

D. 283,312	4/1986	Ebrahim	D9/434
1,918,134	7/1933	Resch	49/475
2,644,611	7/1953	Stuart	220/378
2,746,824	5/1956	Bond	220/378
3,184,801	5/1965	Fletcher	D25/60

3,855,741 12/1974 Semon 49/475
4,796,400 1/1989 Mulder 49/DIG. 2

Primary Examiner—B. J. Bullock

Assistant Examiner—Sandra Morris

Attorney, Agent, or Firm—Robert J. Schaap

[57] CLAIM

The ornamental design for a seal for containers, as shown and described.

DESCRIPTION

FIG. 1 is a top perspective view of a seal for containers, showing my new design;

FIG. 2 is a bottom perspective view thereof;

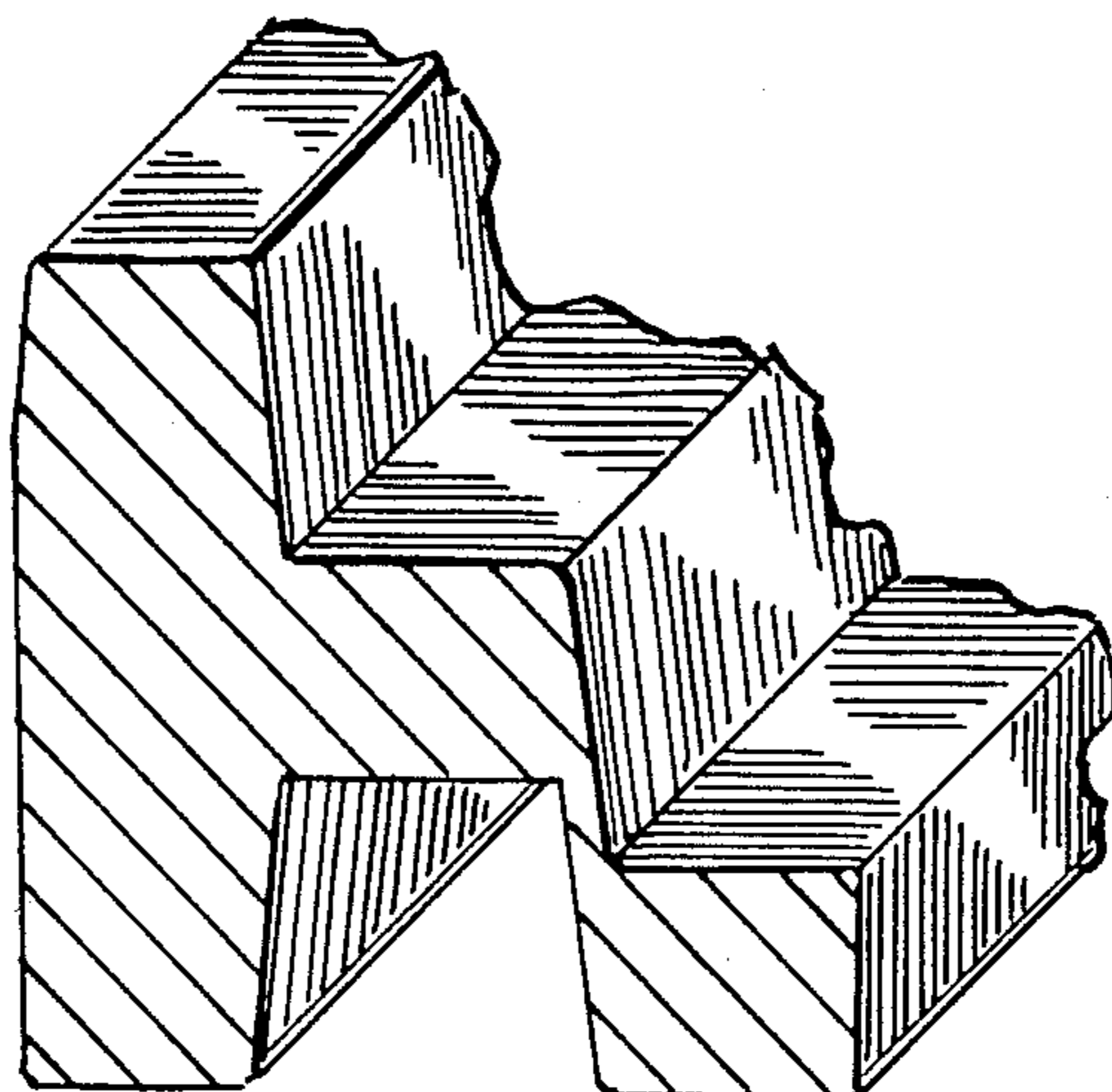
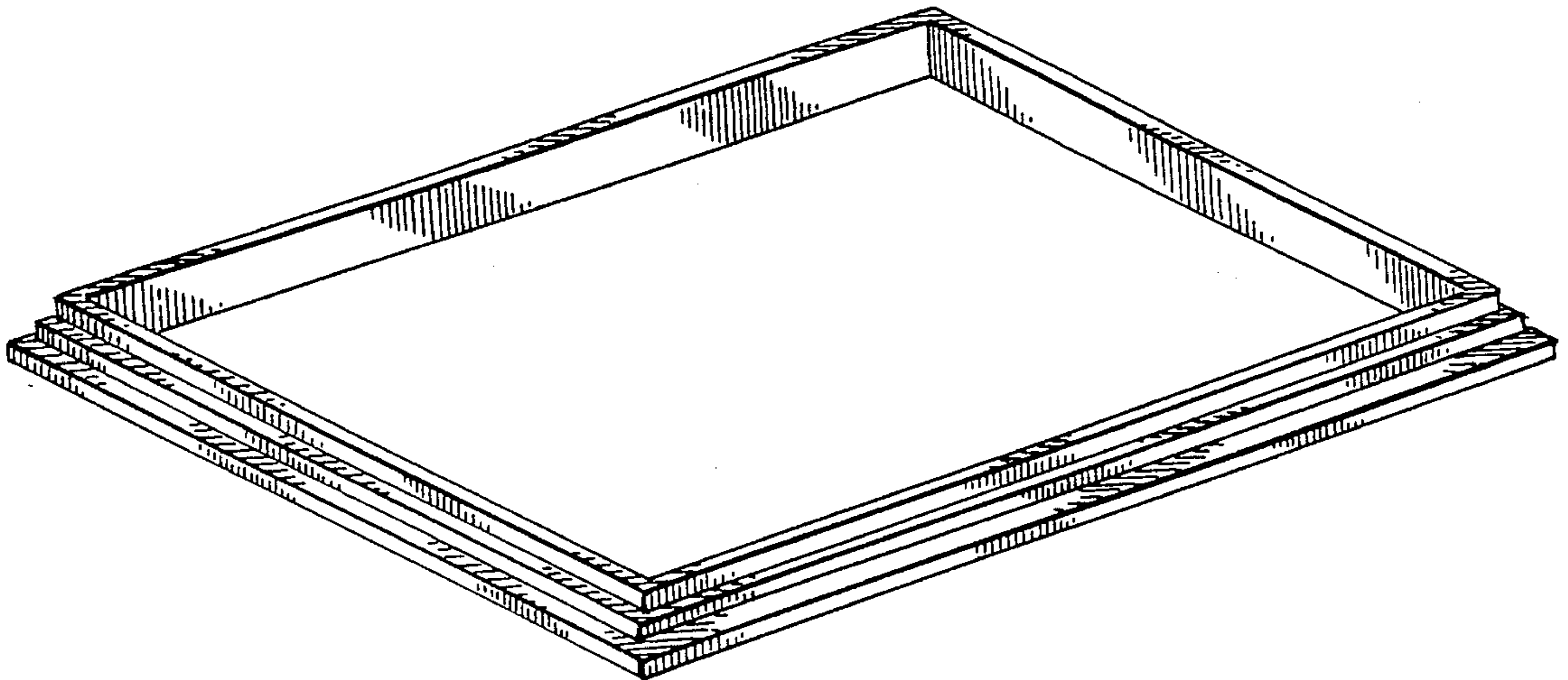
FIG. 3 is a side elevational view thereof, the side being identical;

FIG. 4 is an end elevational view thereof, the other end being identical;

FIG. 5 is a top plan view thereof;

FIG. 6 is a bottom plan view thereof;

FIG. 7 is a sectional view taken in the direction of the arrows on line 7—7 of FIG. 6.



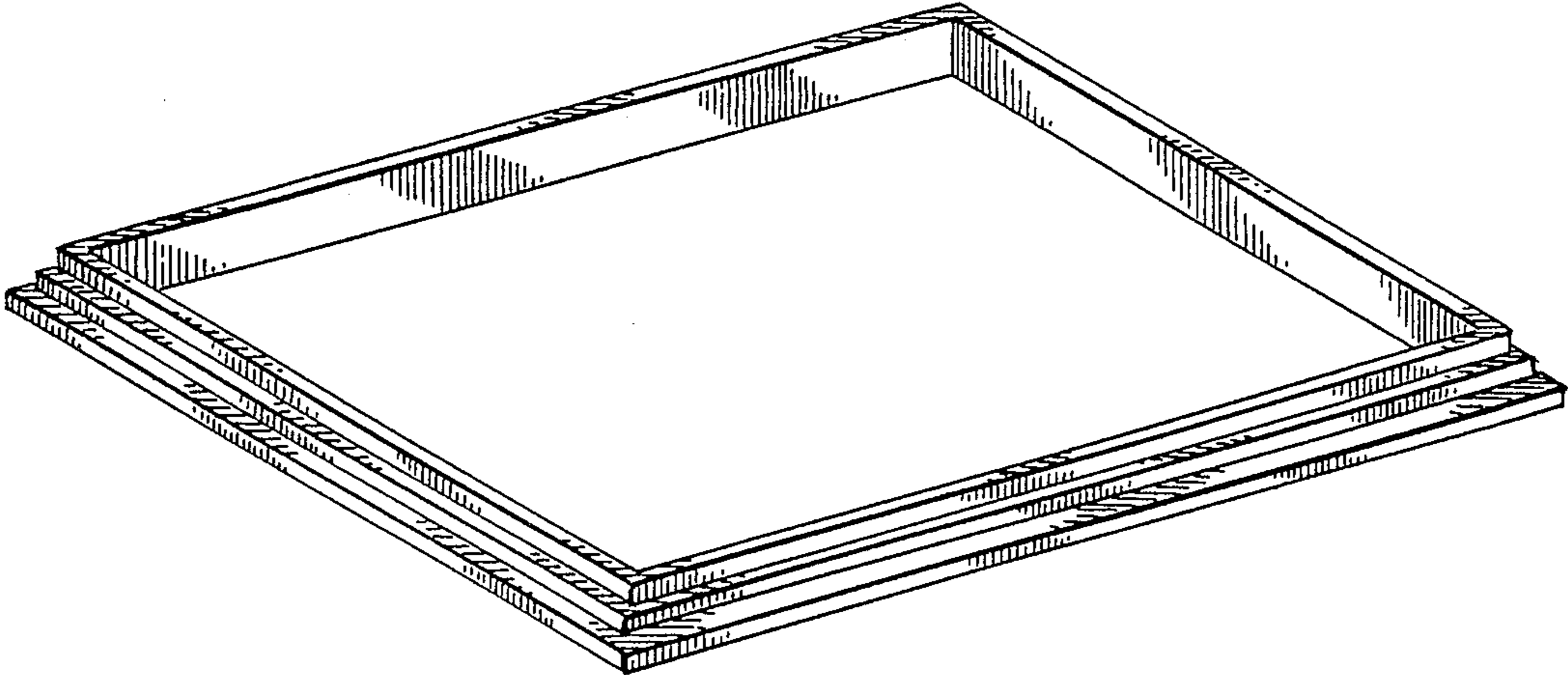


FIG. 1

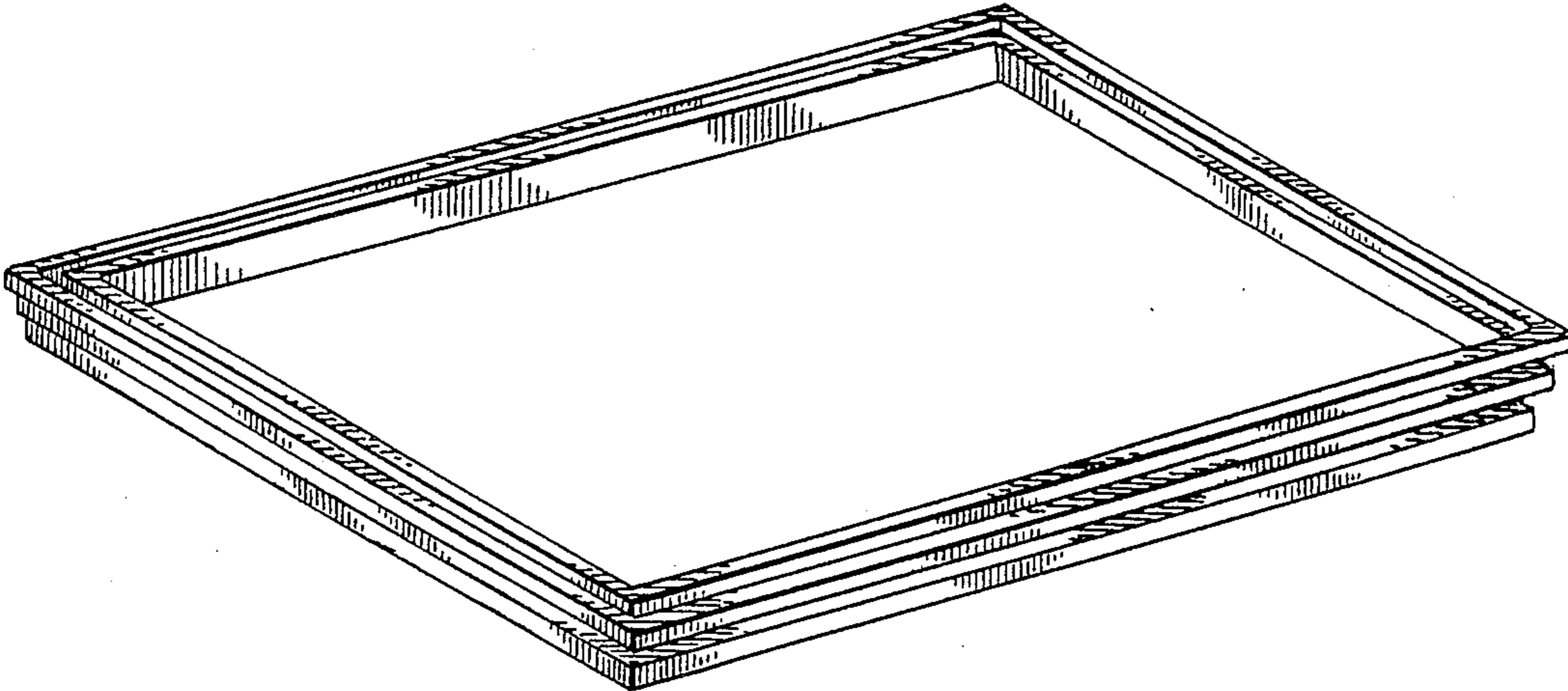


FIG. 2

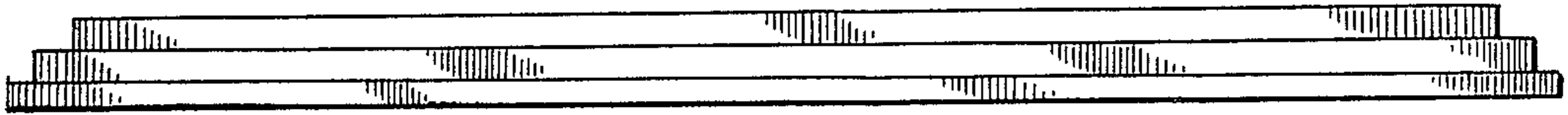


FIG. 3



FIG. 4

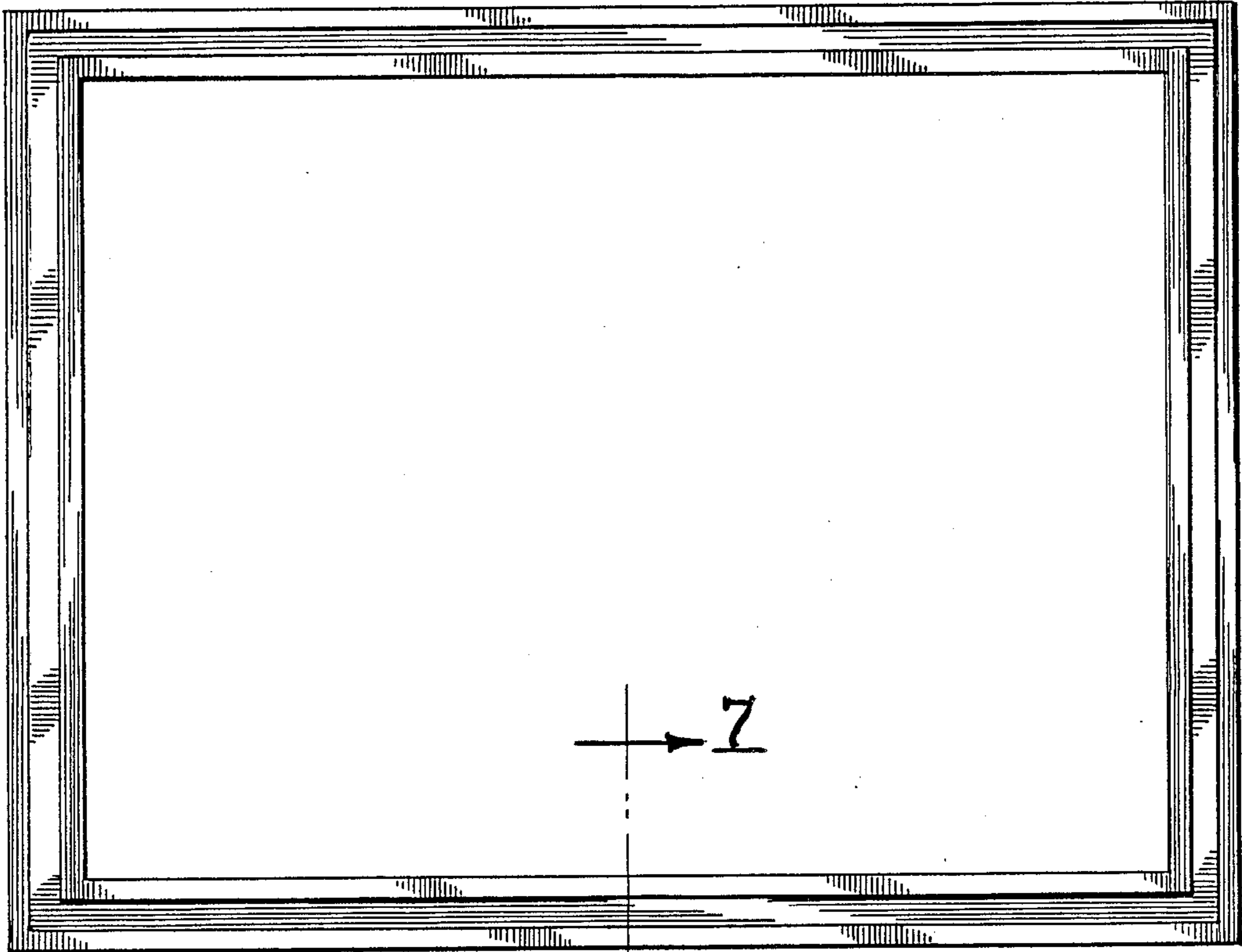
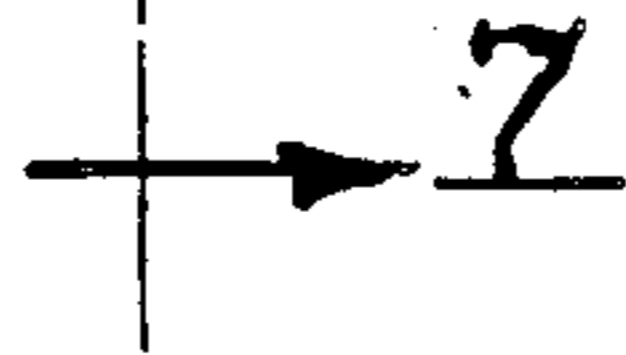


FIG. 6



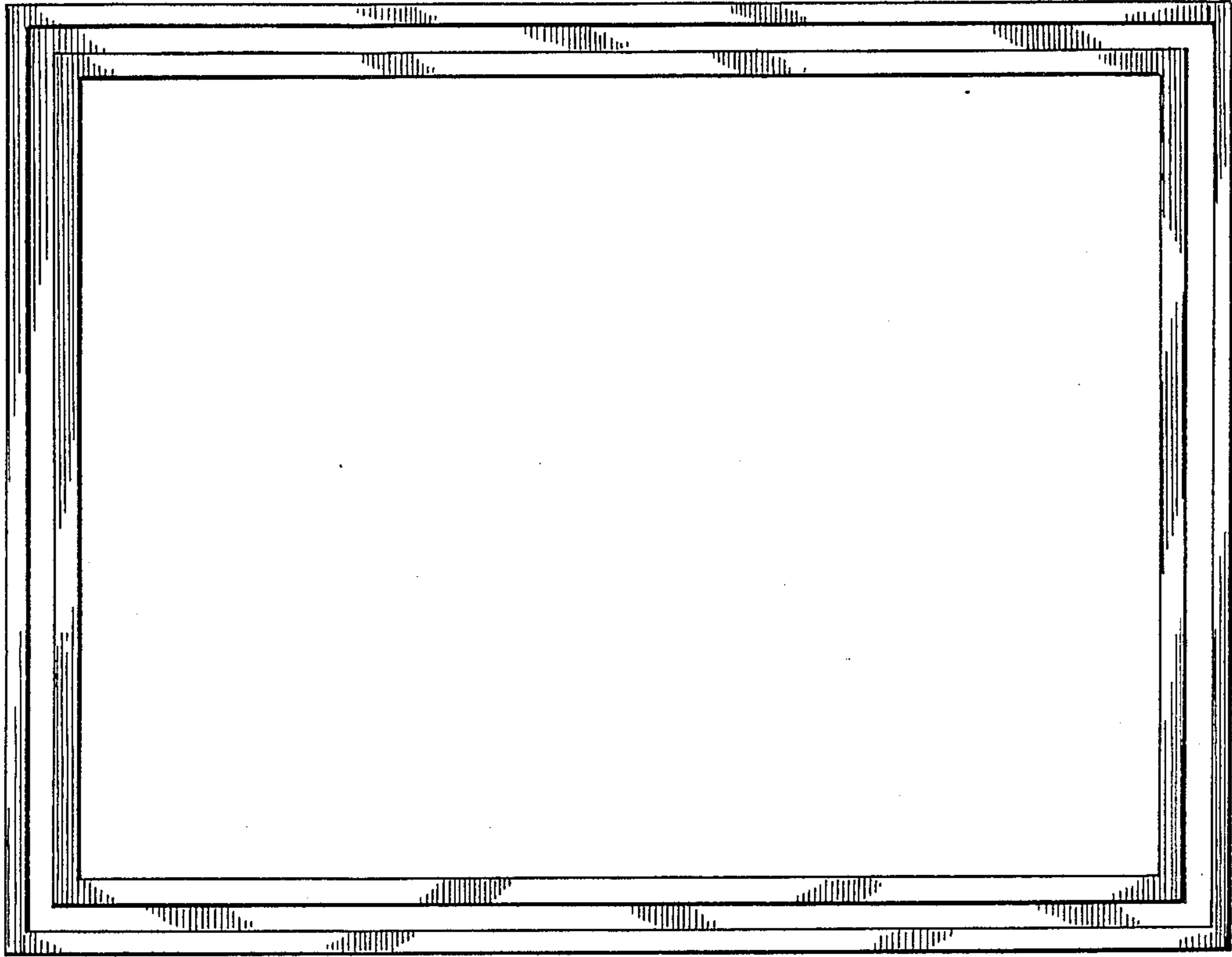


FIG. 5

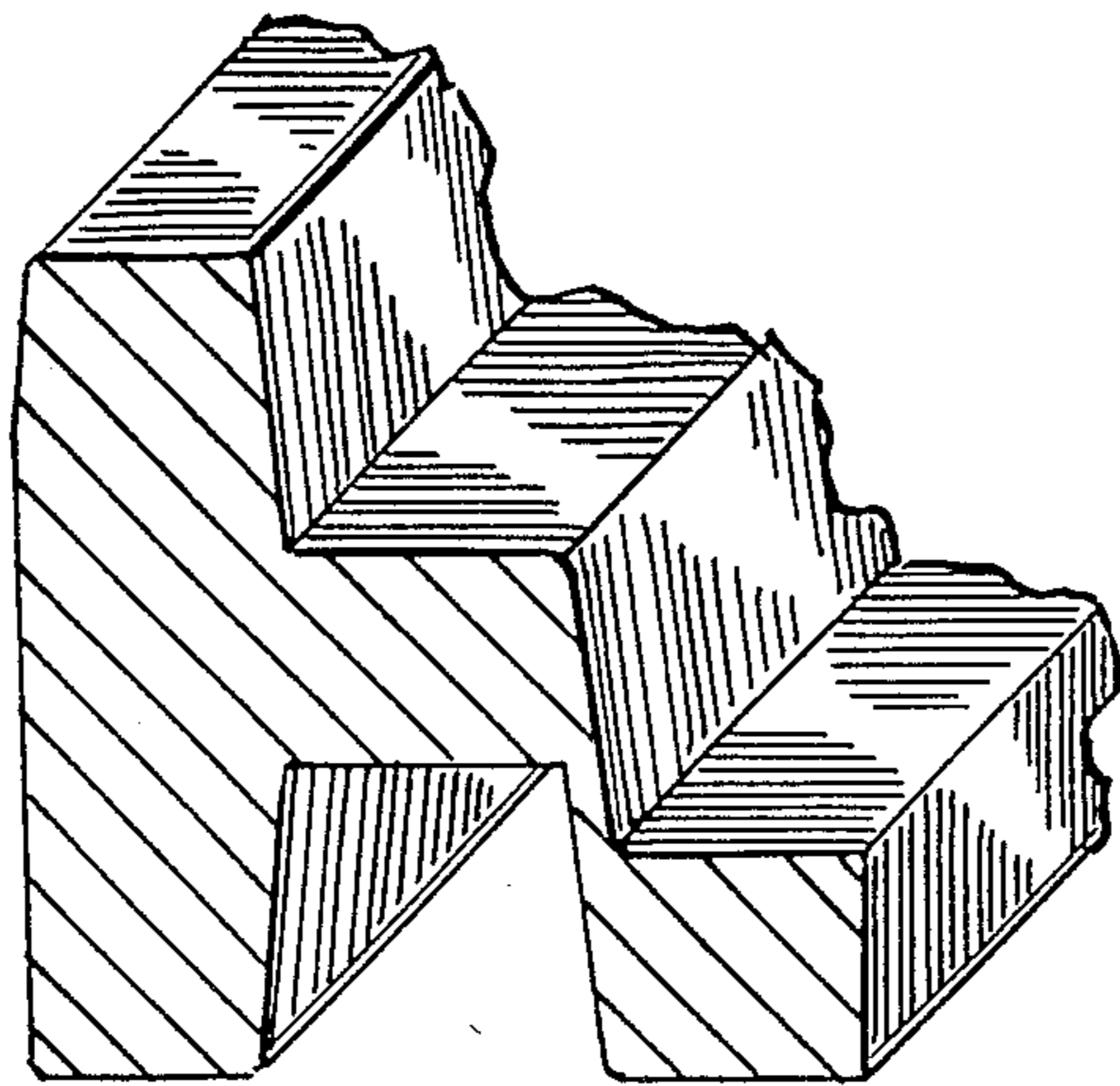


FIG. 7