

[54] PACKAGE FOR A DISPOSABLE CAMERA

[75] Inventor: Takuya Arai, Tokyo, Japan

[73] Assignee: Fuji Photo Film Co., Ltd., Kanagawa, Japan

[\*\*] Term: 14 Years

[21] Appl. No.: 934,453

[22] Filed: Nov. 24, 1986

[30] Foreign Application Priority Data

May 23, 1986 [JP] Japan ..... 61-19620

[52] U.S. Cl. .... D9/432; D16/200; D16/208; D9/418

[58] Field of Search ..... D9/307, 414, 415, 432; D14/121; D16/200, 218, 208; 206/316.2, 455, 456; 150/165; 224/908; 354/174, 126, 400, 275, 288, 75

[56] References Cited

U.S. PATENT DOCUMENTS

- D. 29,376 9/1898 Brownell ..... D16/200
- D. 73,750 11/1927 Lehr ..... D16/218
- D. 74,211 1/1928 Bornmann ..... D16/218
- D. 83,021 1/1931 Teague ..... D16/218

- D. 247,852 5/1978 Fukuda ..... D16/209
- D. 252,996 9/1979 Wolley ..... D16/208
- D. 259,492 6/1981 Swayze ..... D16/209
- D. 273,683 5/1984 Hendren et al. .... D16/208
- D. 284,654 7/1986 Sandell et al. .... D14/121
- D. 291,579 8/1987 Ito et al. .... D16/218 X
- 2,072,625 3/1937 Rose ..... D14/121 X
- 2,699,100 1/1955 Simjian ..... 354/75 X
- 3,538,822 11/1970 Gilmer ..... 354/75
- 4,077,041 2/1978 Imuza ..... 354/288

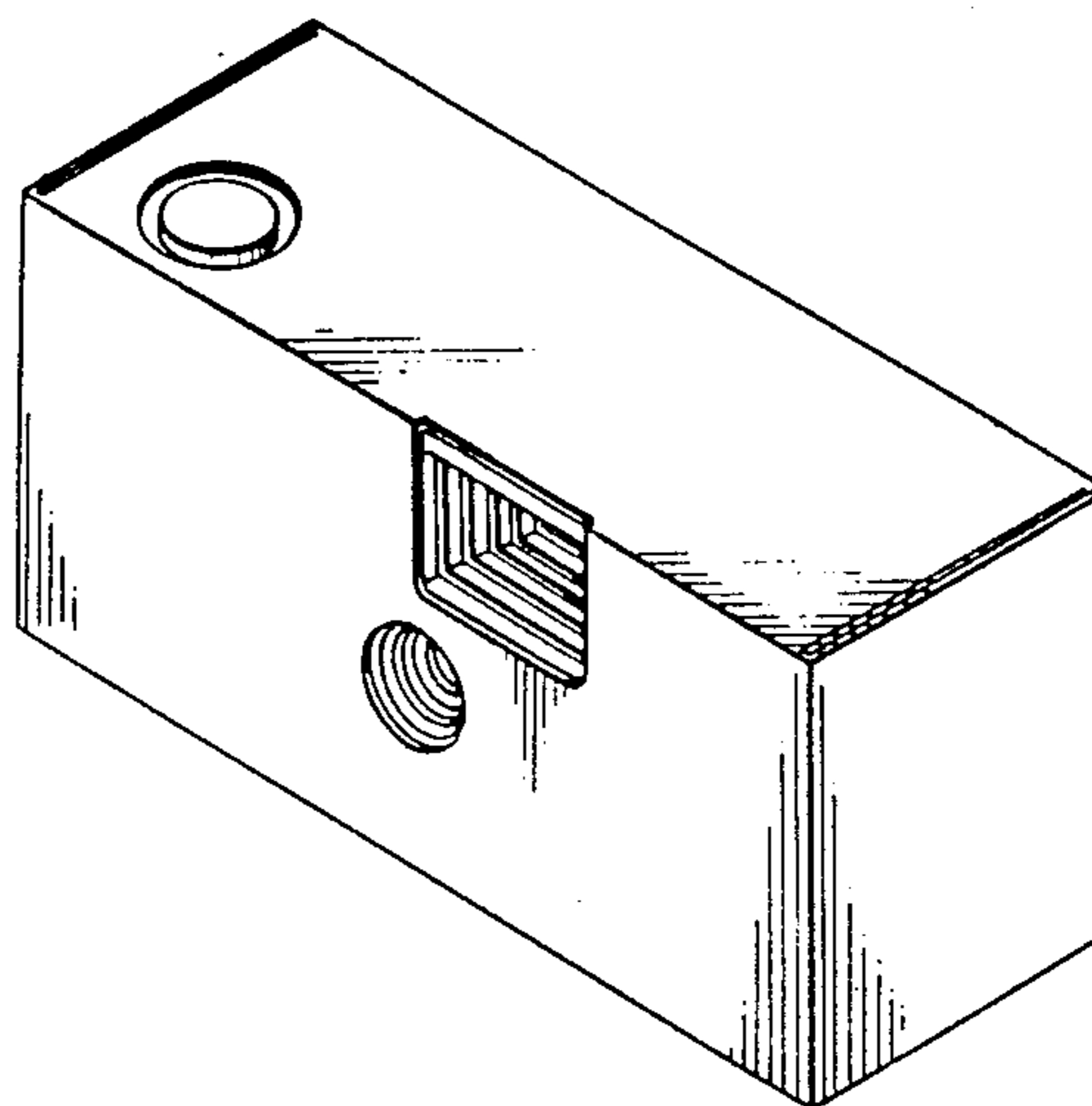
Primary Examiner—Bernard Ansher  
Assistant Examiner—Prabhakar Deshmukh  
Attorney, Agent, or Firm—Young & Thompson

[57] CLAIM

The ornamental design for a package for a disposable camera, as shown and described.

DESCRIPTION

FIG. 1 is a perspective view of a package for a disposable camera showing my new design;  
FIG. 2 is a front view thereof;  
FIG. 3 is a rear view thereof;  
FIG. 4 is a left side view thereof;  
FIG. 5 is a right side view thereof;  
FIG. 6 is a top plan view thereof; and  
FIG. 7 is a bottom plan view thereof.



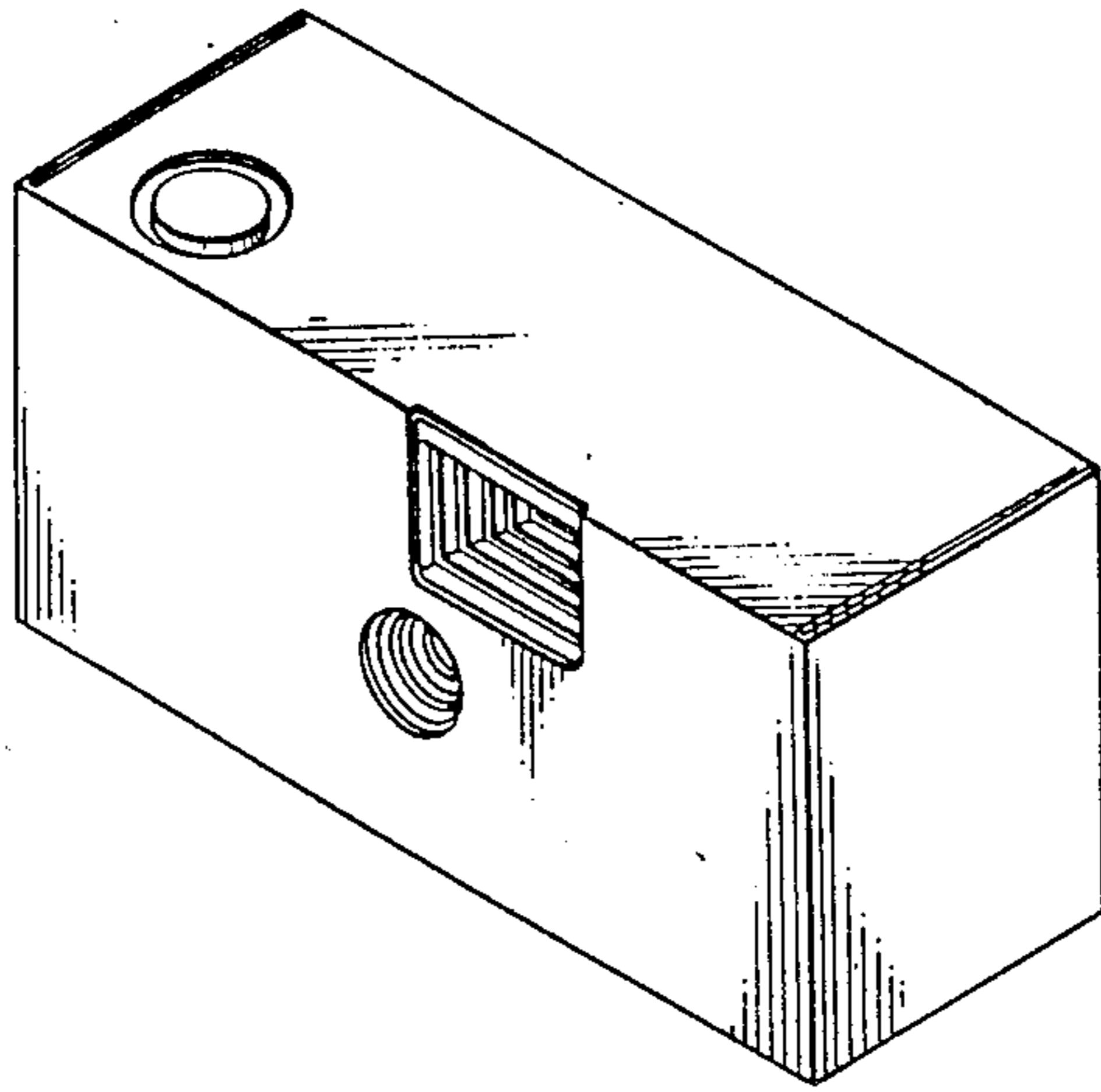


FIG. 1

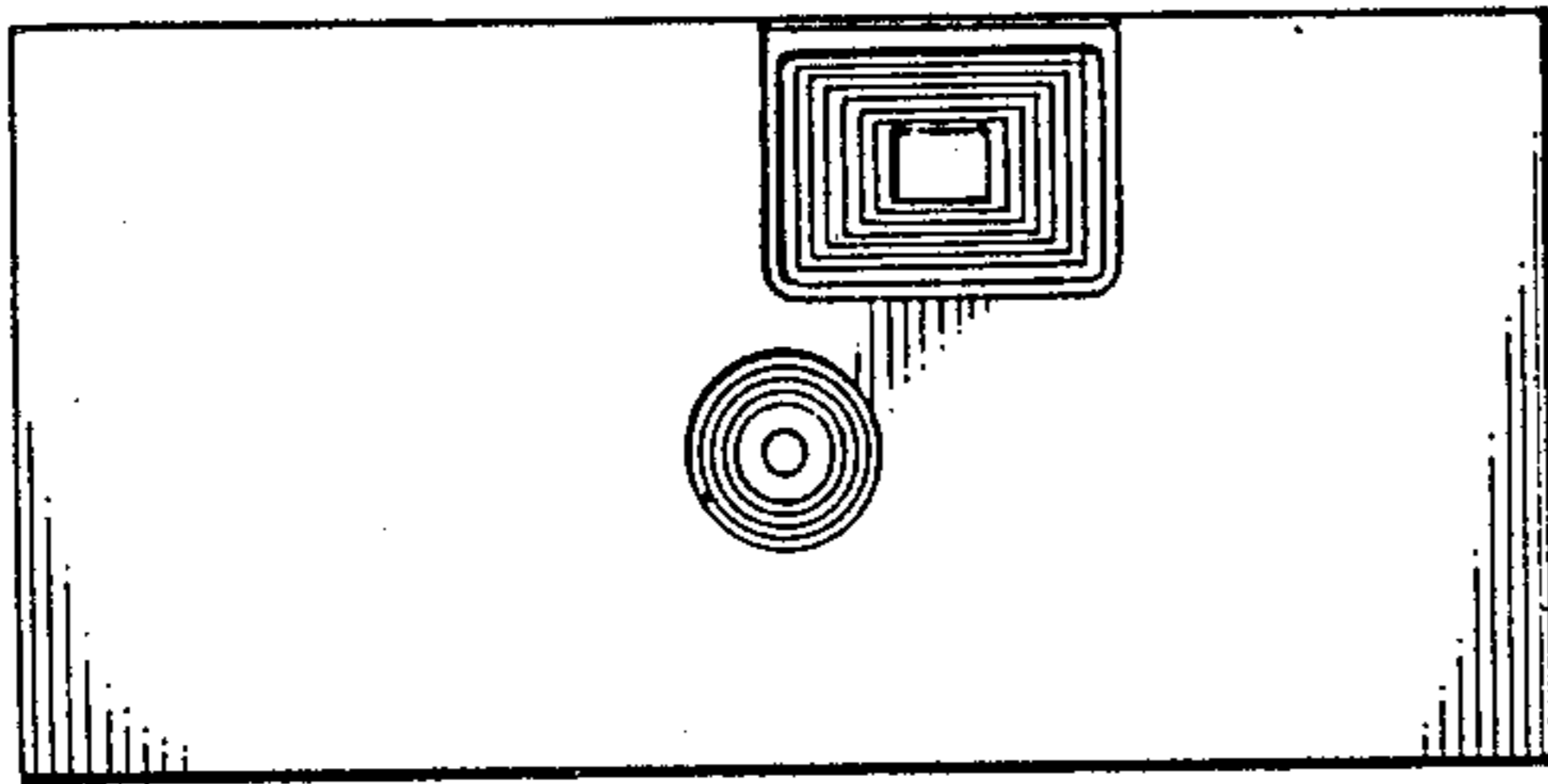


FIG. 2

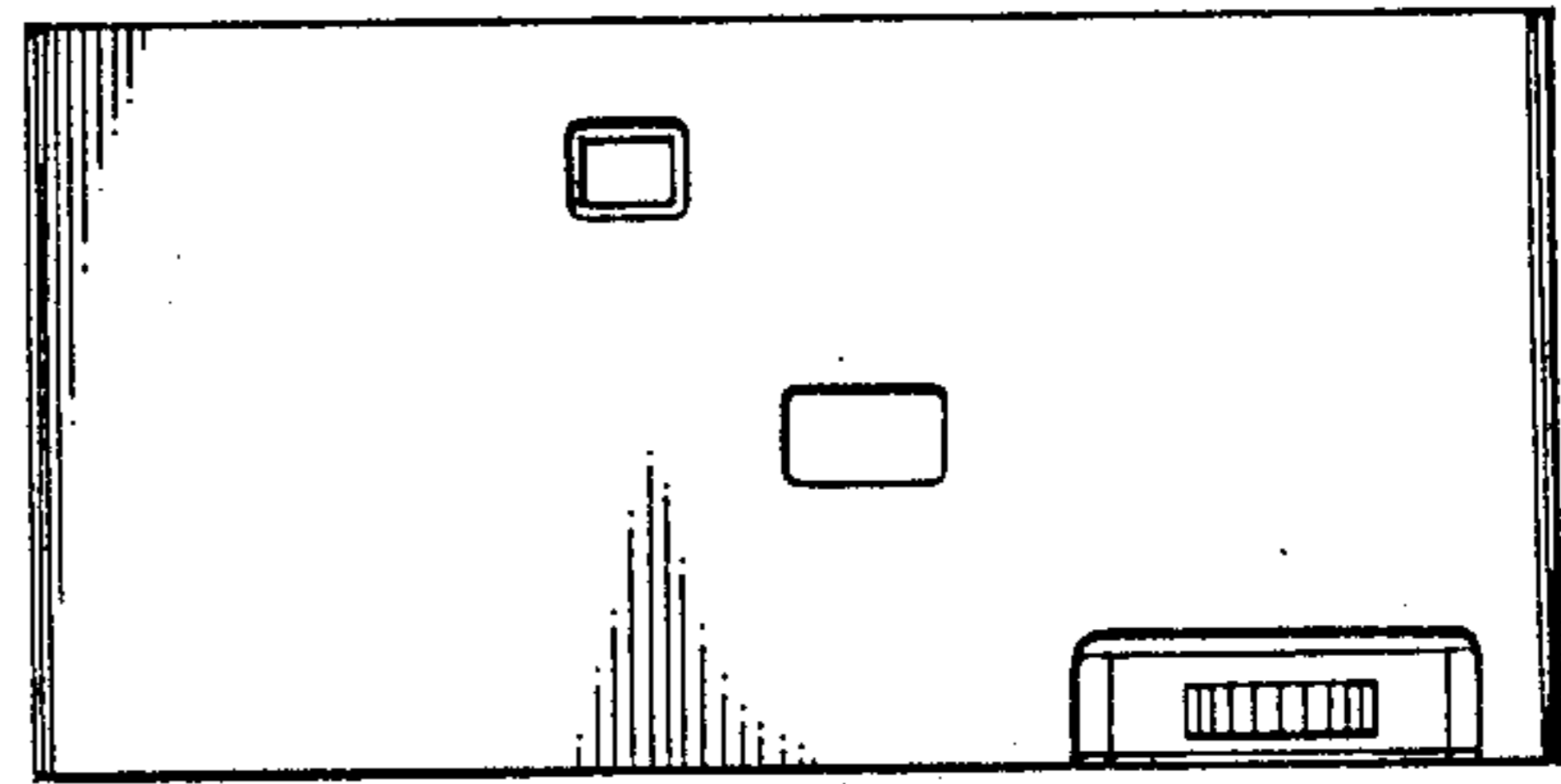


FIG. 3

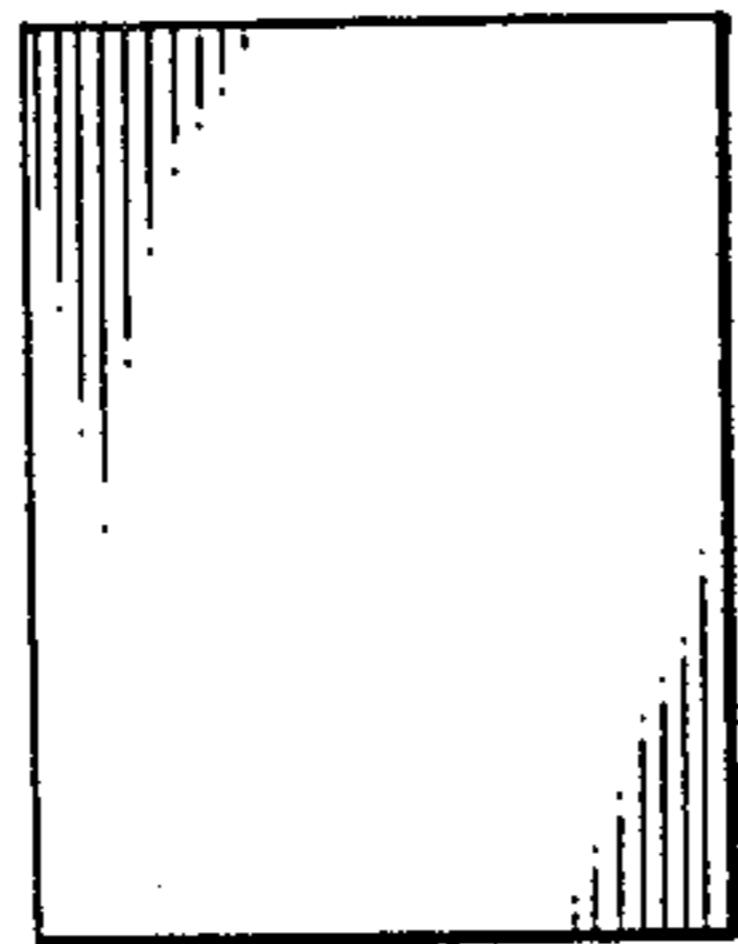


FIG. 4

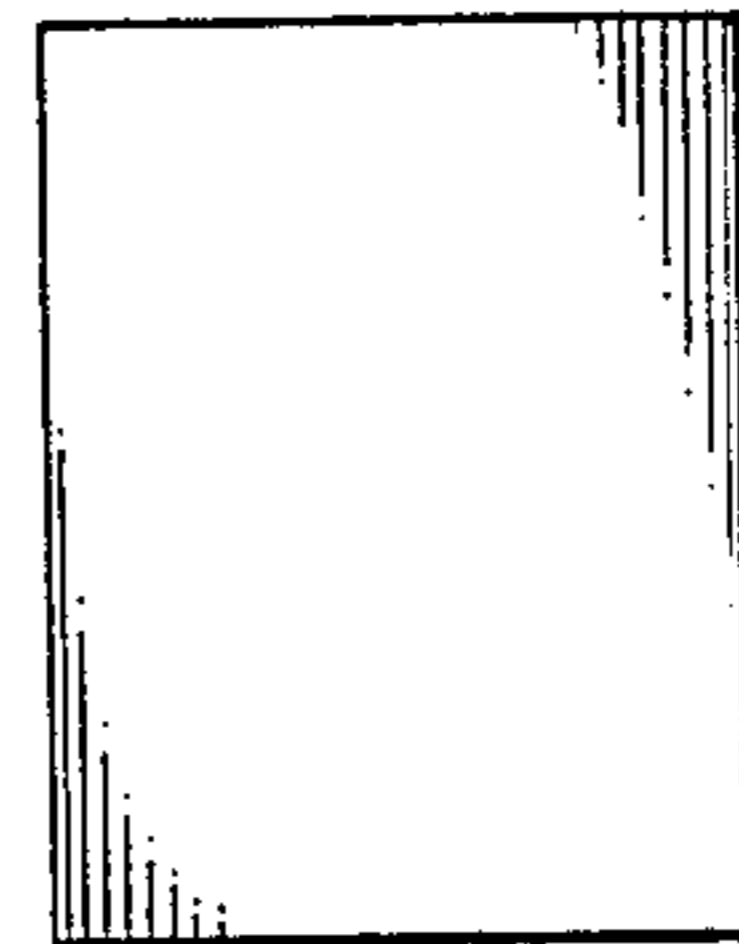


FIG. 5

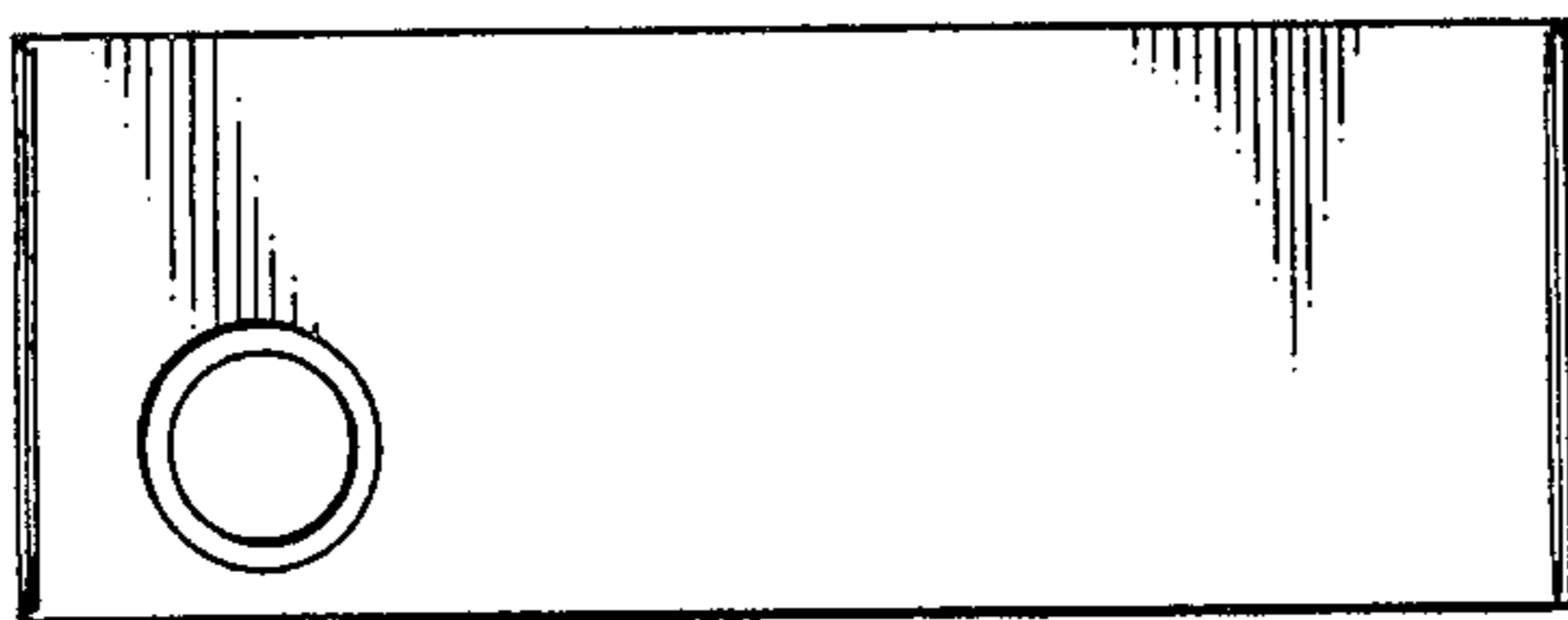


FIG. 6

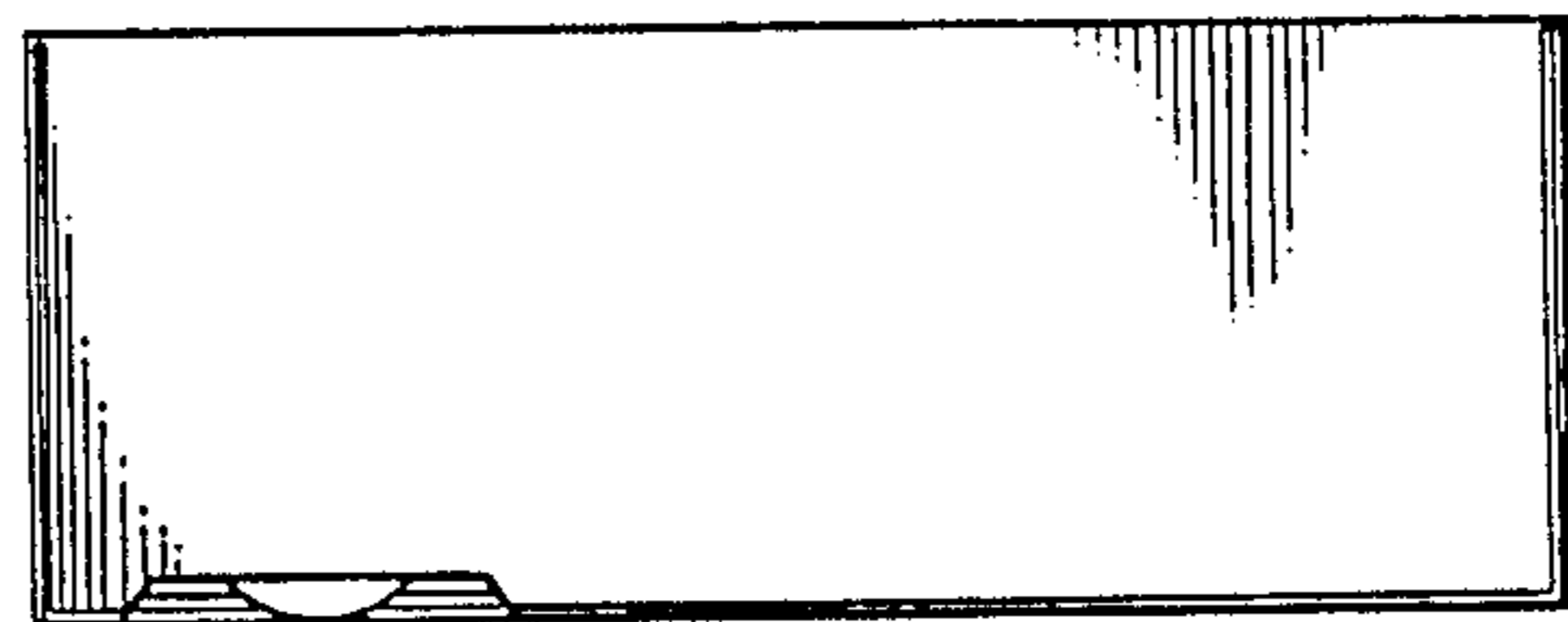


FIG. 7

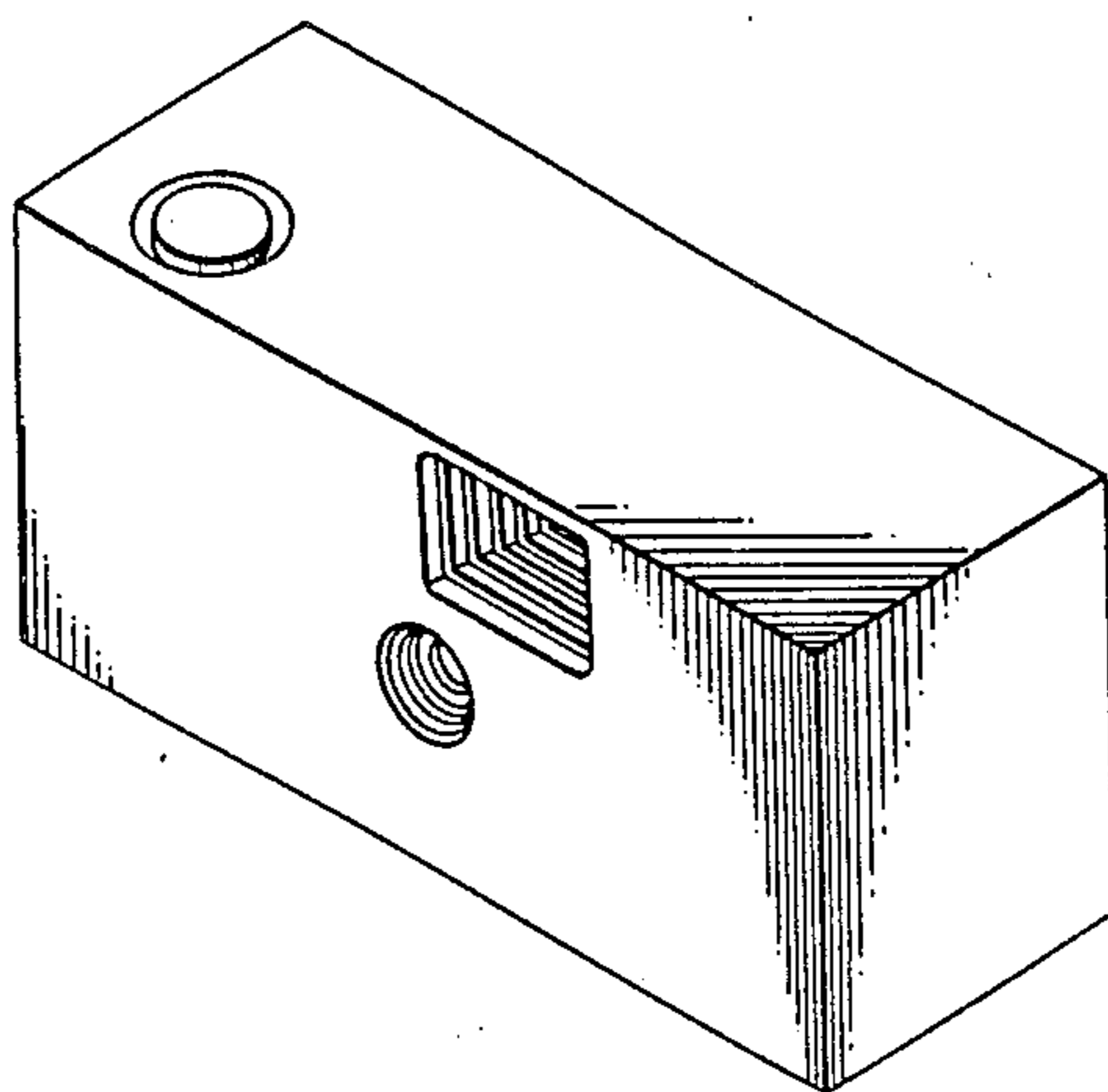


FIG. 9