

[54] BOOK BLISTER PACKAGE

[76] Inventors: Ruth E. Miller; Jack V. Miller, both of 700 N. Auburn Ave., Sierra Madre, Calif. 91024

[*] Notice: The portion of the term of this patent subsequent to Oct. 10, 2003 has been disclaimed.

[**] Term: 14 Years

[21] Appl. No.: 81,035

[22] Filed: Apr. 27, 1987

[52] U.S. Cl. D9/415

[58] Field of Search D9/415, 424, 432, 337, D9/420, 425; 206/232, 461-470, 424, 472, 44 R, 45.13

[56] References Cited

U.S. PATENT DOCUMENTS

D. 281,056 10/1985 de La Tour D9/337

1,890,988	12/1932	Harden	206/232
2,799,391	7/1957	Eisner	206/232
3,553,851	1/1971	Paige	206/232 X
4,353,461	10/1982	Liang	206/461 X
4,566,590	1/1986	Manning et al.	206/232
4,752,003	4/1987	Miller et al.	206/470 X

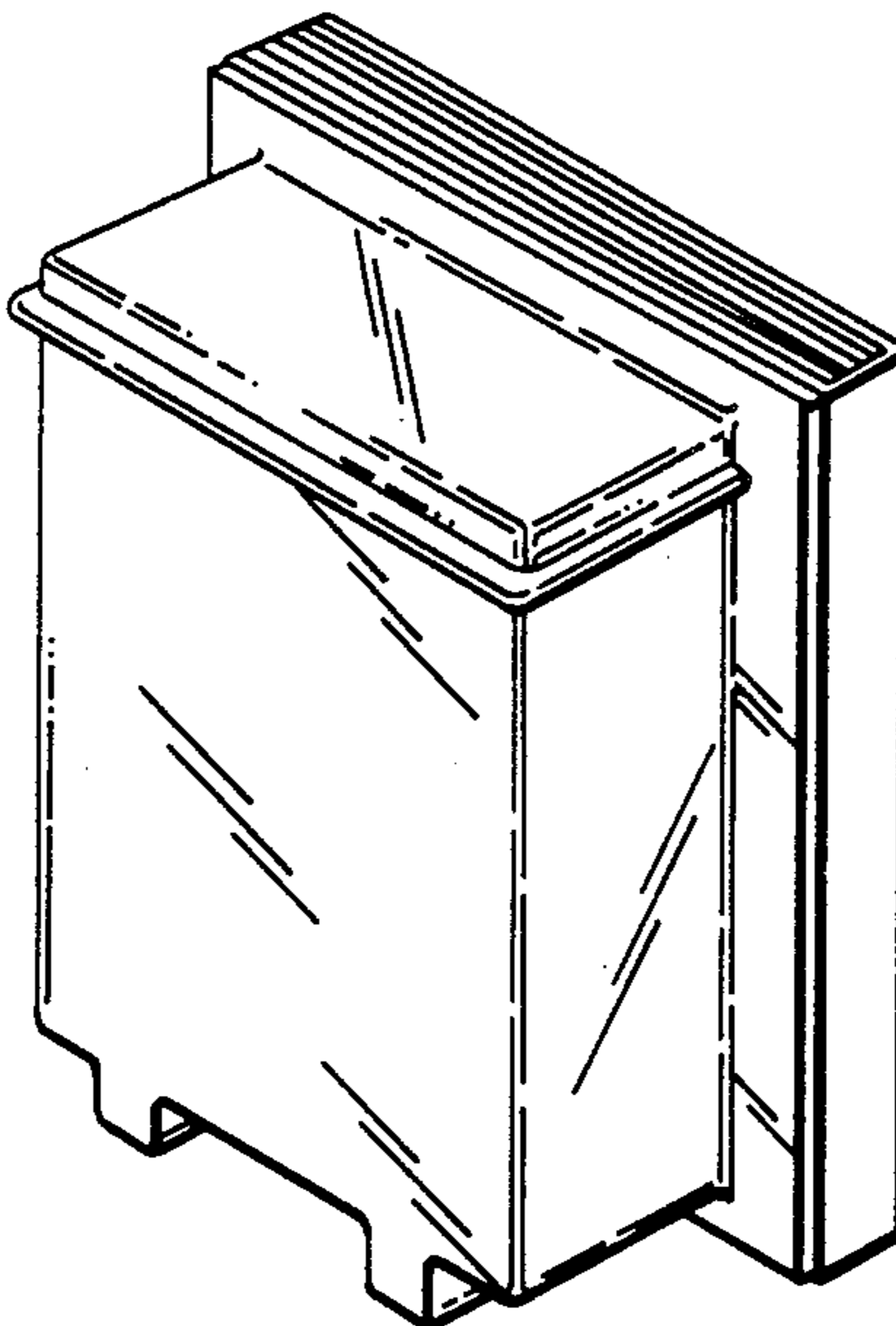
Primary Examiner—Bernard Ansher
Assistant Examiner—Prabhakar Deshmukh

[57] CLAIM

The ornamental design for a book blister package, as shown and described.

DESCRIPTION

FIG. 1 is a perspective view of a book blister package showing our new design;
FIG. 2 is a right side elevation thereof;
FIG. 3 is a front elevation view thereof;
FIG. 4 is a rear side elevation view thereof;
FIG. 5 is a top plan view thereof;
FIG. 6 is a bottom plan view thereof; and
FIG. 7 is a left side elevation thereof.



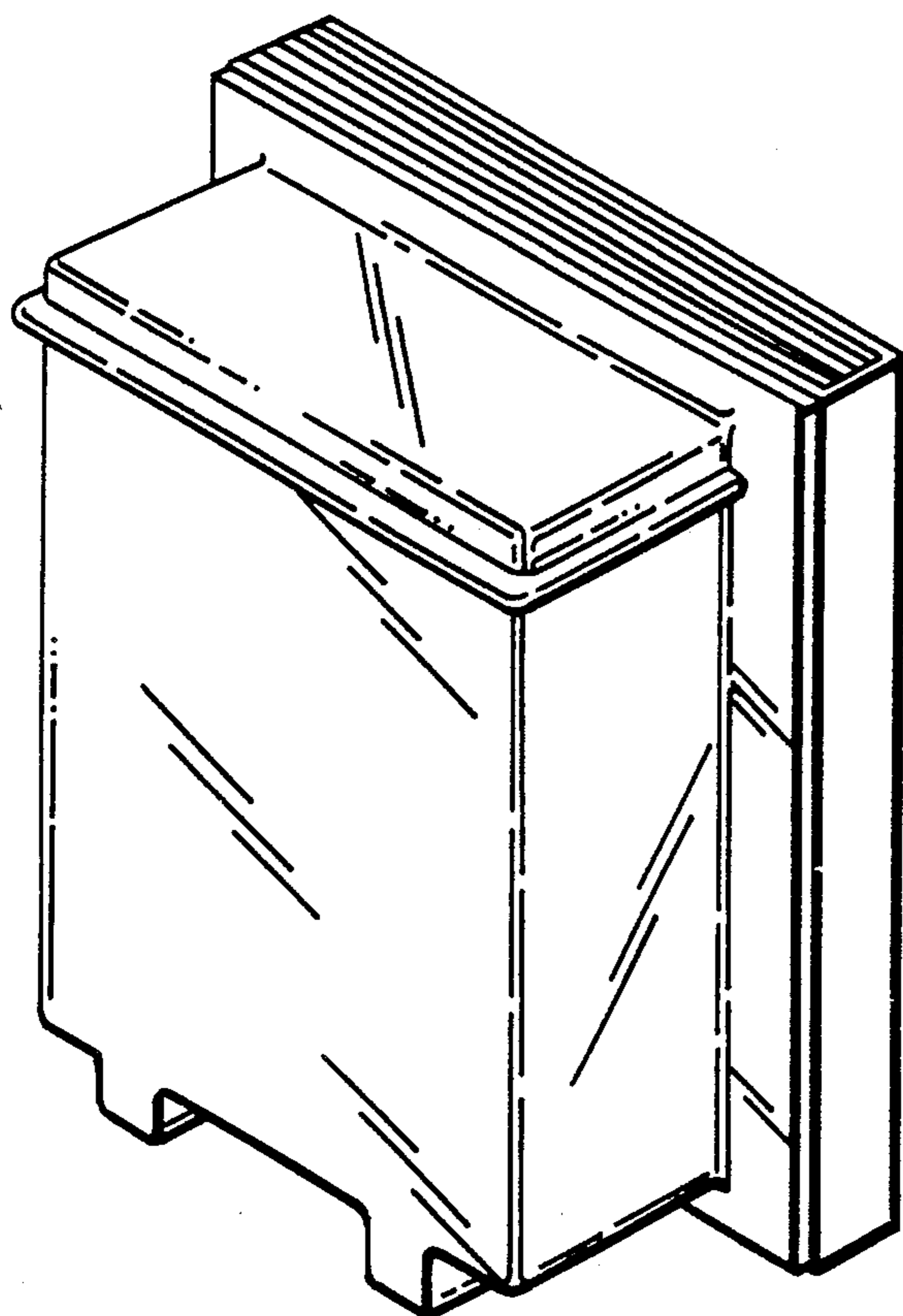


Fig. 1

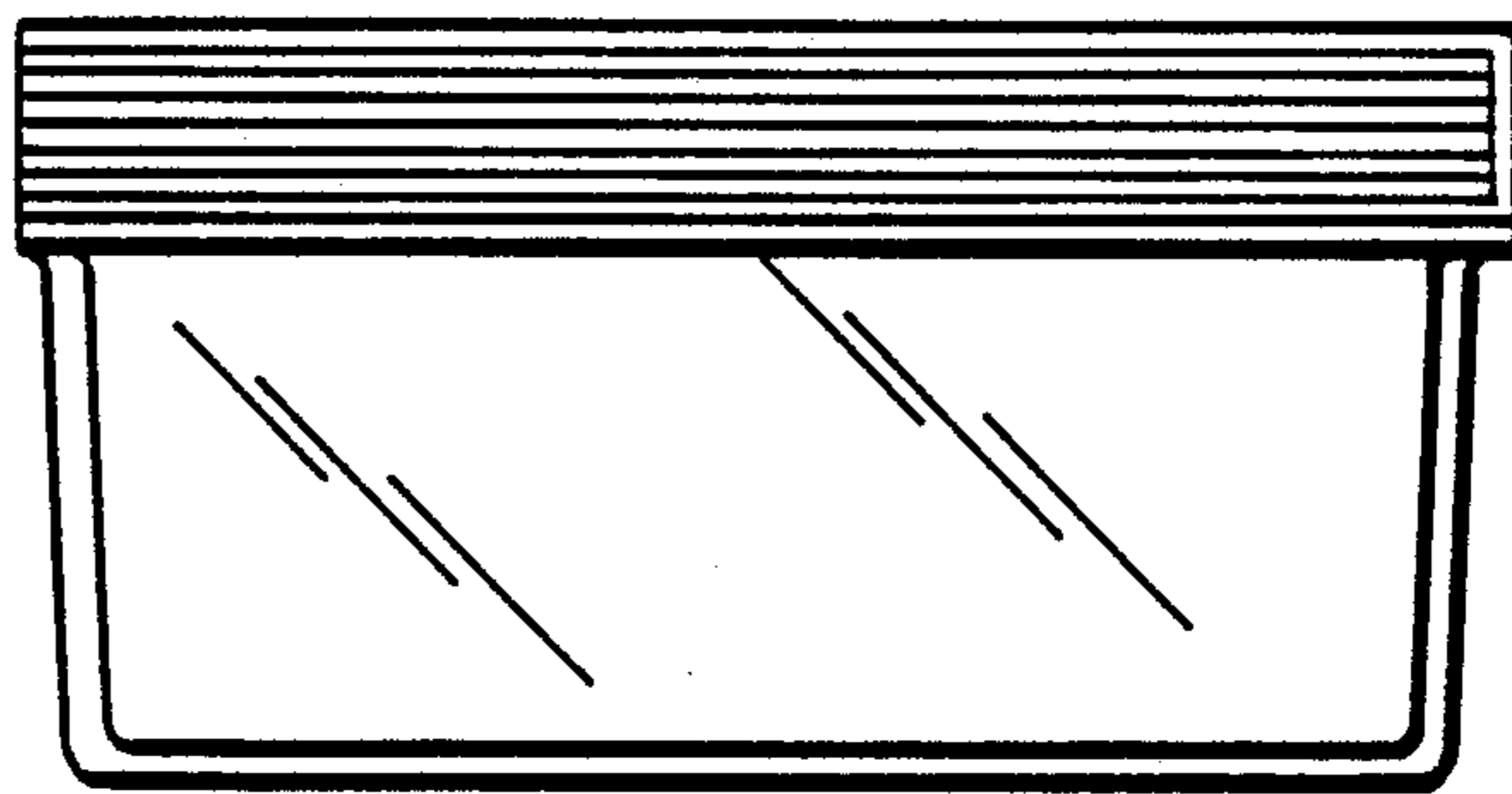


Fig. 5

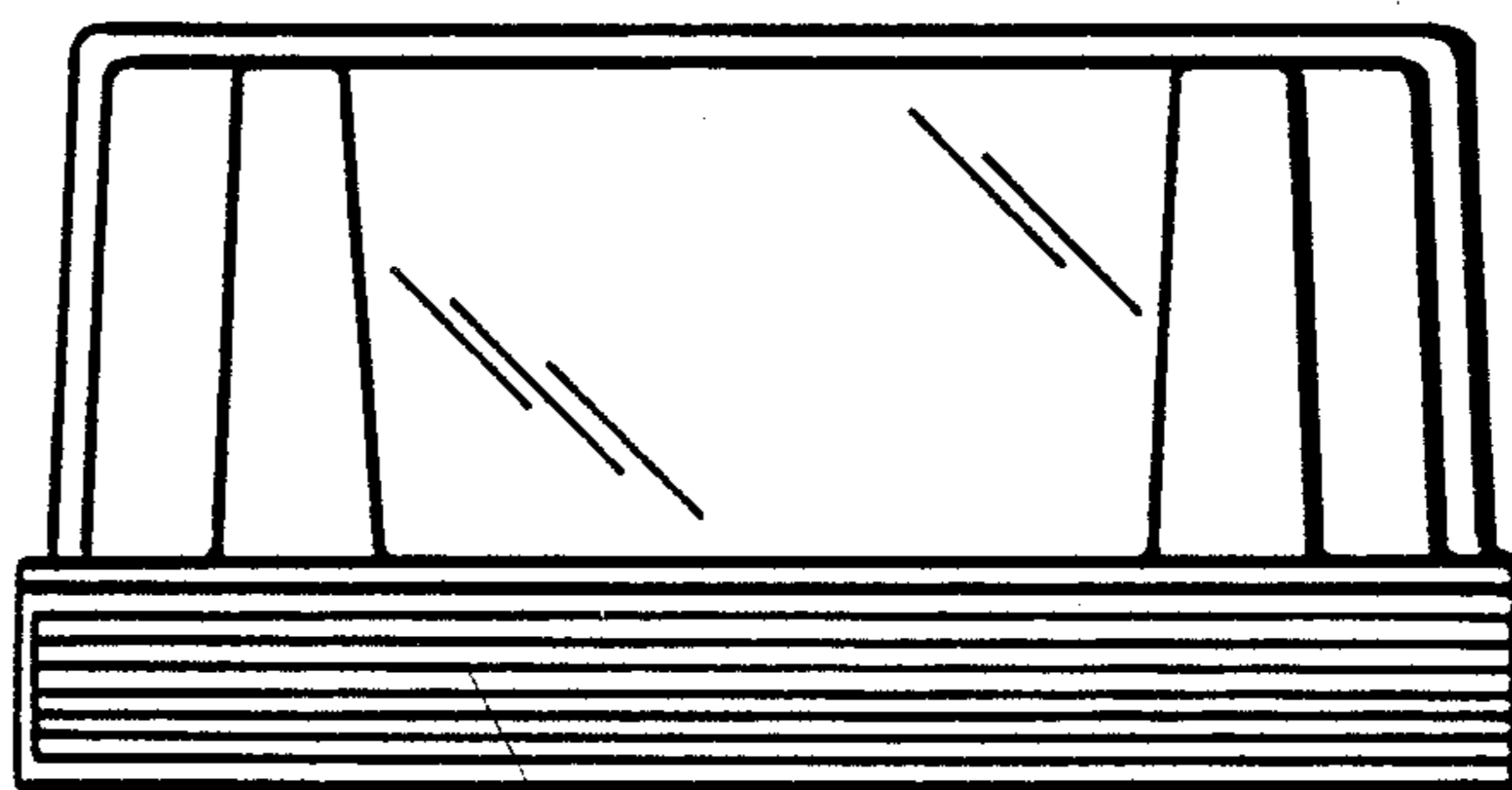


Fig. 6

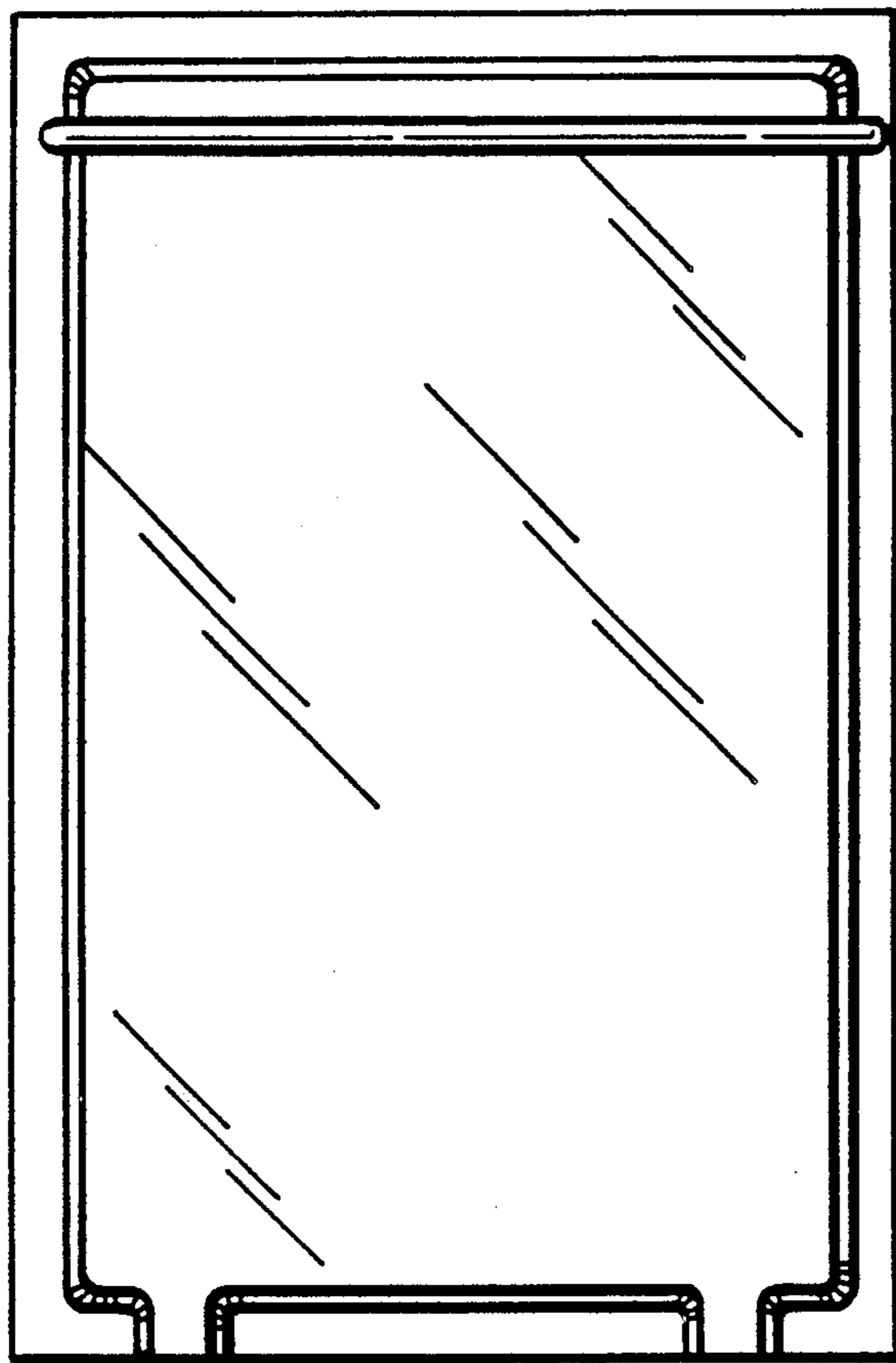


Fig. 4

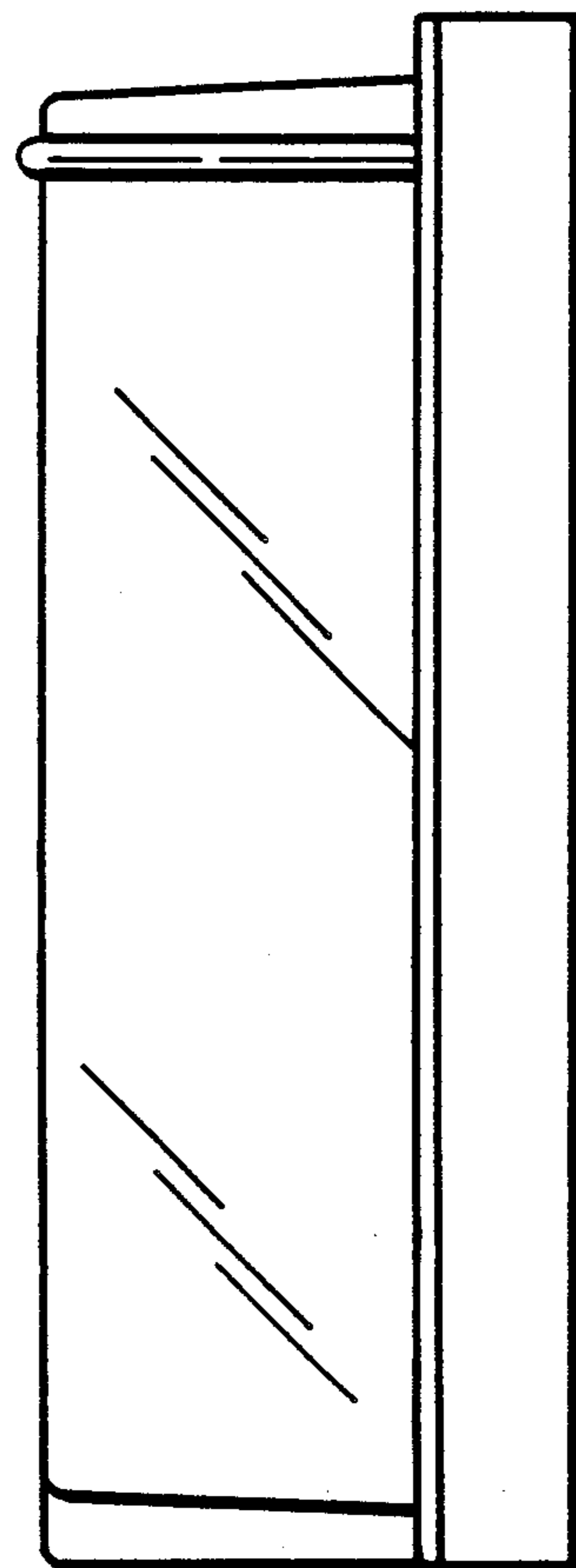


Fig. 2

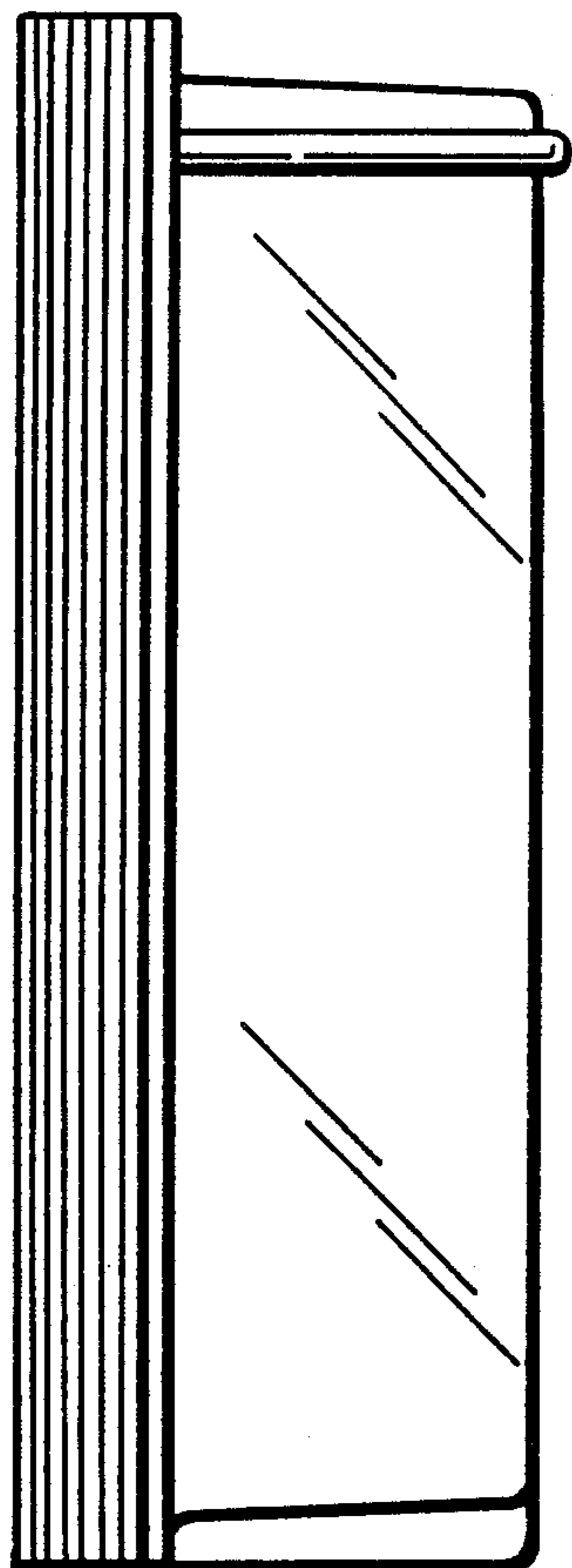


Fig. 7

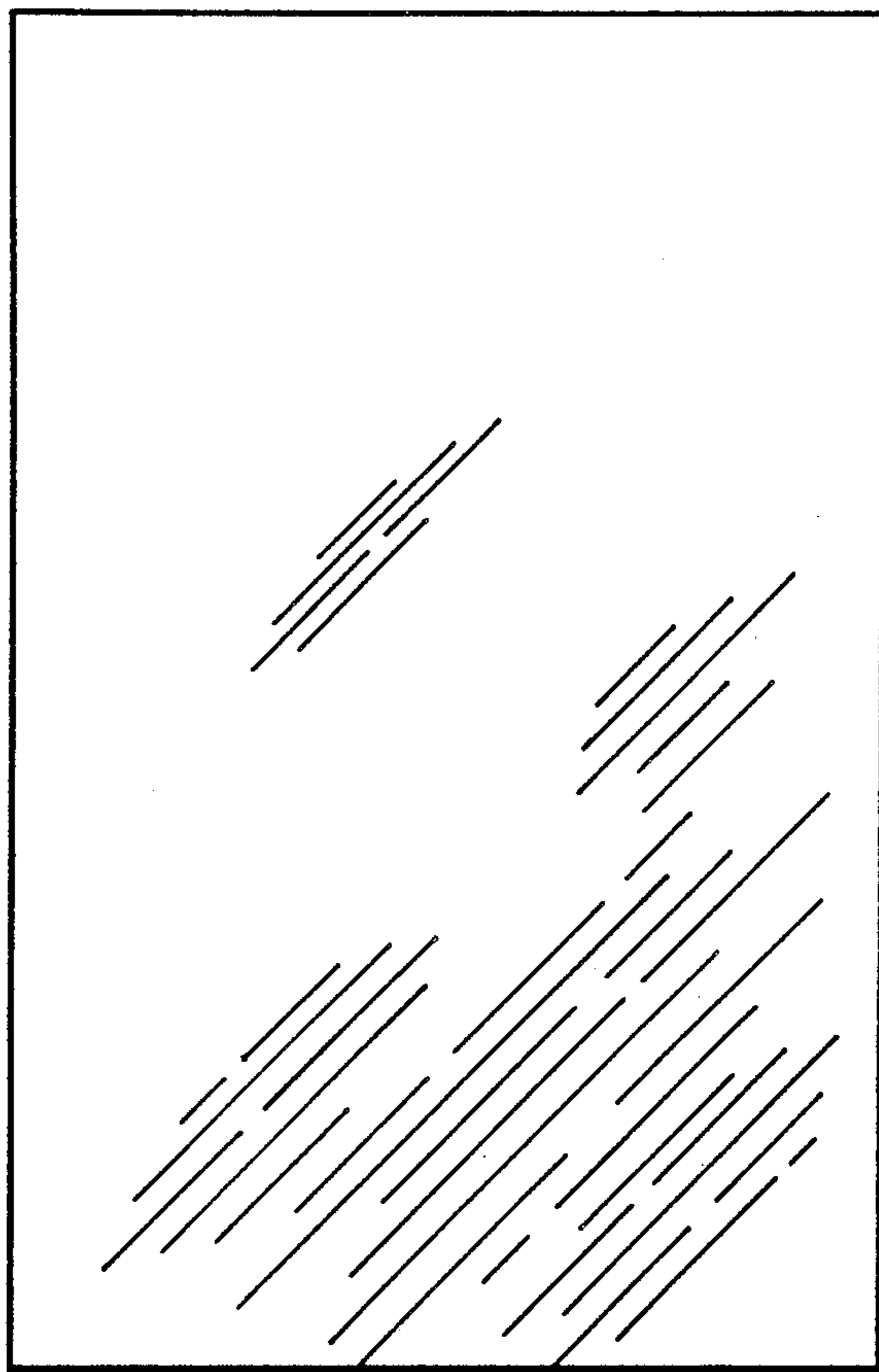


Fig. 3