

[54] AIR RATCHET HANGING DEVICE

[76] Inventor: Michael C. Sullivan, 18975 Reindeer DR., Lake Elsinore, Calif. 92330

[**] Term: 14 Years

[21] Appl. No.: 161,658

[22] Filed: Feb. 29, 1988

[52] U.S. Cl. D8/396; D8/373; 248/65

[58] Field of Search D8/354, 373, 396, 394; 248/311.2, 600, 692, 316.7, 318, 339, 340

[56] References Cited

U.S. PATENT DOCUMENTS

1,026,622	5/1912	Blount	248/692
2,700,100	1/1955	Wissinger	248/311.2
2,788,438	4/1957	Lieuwen	248/339 X
3,310,270	3/1967	Ciancio	248/318
3,378,222	4/1968	Erickson	248/692
3,384,231	5/1968	Cox et al.	248/340
3,468,508	9/1969	Herver	248/692 X
3,556,454	1/1971	Herver	248/692 X
3,559,934	2/1971	Jensen	248/316.7 X
3,620,493	11/1971	Herver	248/692
3,908,952	9/1975	Von Alven	248/690

4,005,844	2/1977	Richmond	248/318 X
4,015,810	4/1977	Williams	248/311.2
4,605,190	8/1986	Kamp	248/316.7
4,676,465	6/1987	Myolte	248/316.7
4,709,893	1/1987	Lyungberg	248/692
4,872,633	10/1989	Sullivan	248/311.2

FOREIGN PATENT DOCUMENTS

924141 7/1975 Fed. Rep. of Germany 248/65

Primary Examiner—Horace B. Fay, Jr.

Attorney, Agent, or Firm—Roy A. Ekstrand

[57] CLAIM

The ornamental design for a air ratchet hanging device, as shown and described.

DESCRIPTION

FIG. 1 is a front, top and right side elevational view of an air ratchet hanging device showing my new design; FIG. 2 is a front elevational view thereof; FIG. 3 is a right side elevational view thereof; FIG. 4 is a rear elevational view thereof; and FIGS. 5 and 6 are respectively top and bottom plan views thereof.

The broken line showing of an air ratchet is for illustrative purposes only and forms no part of the claimed design.

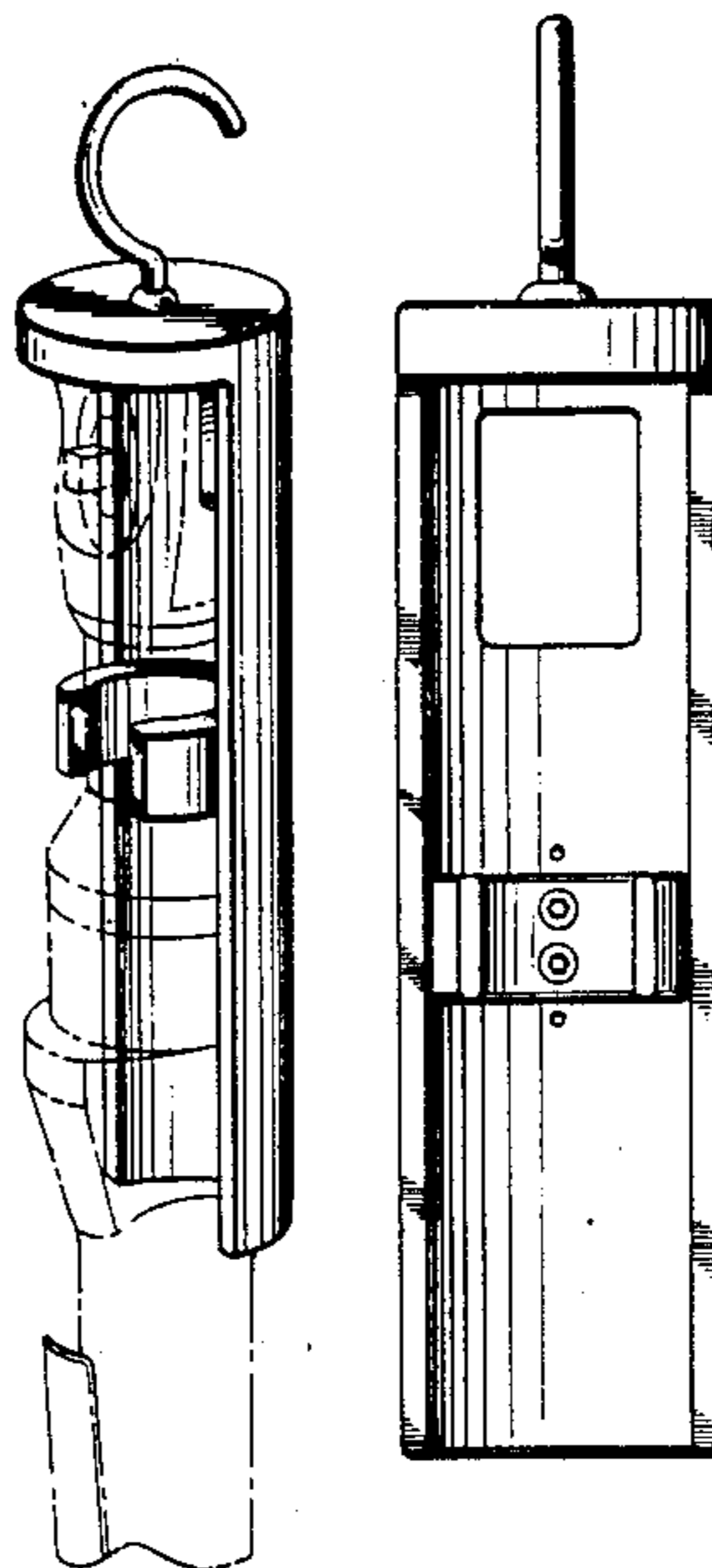


FIG. 1

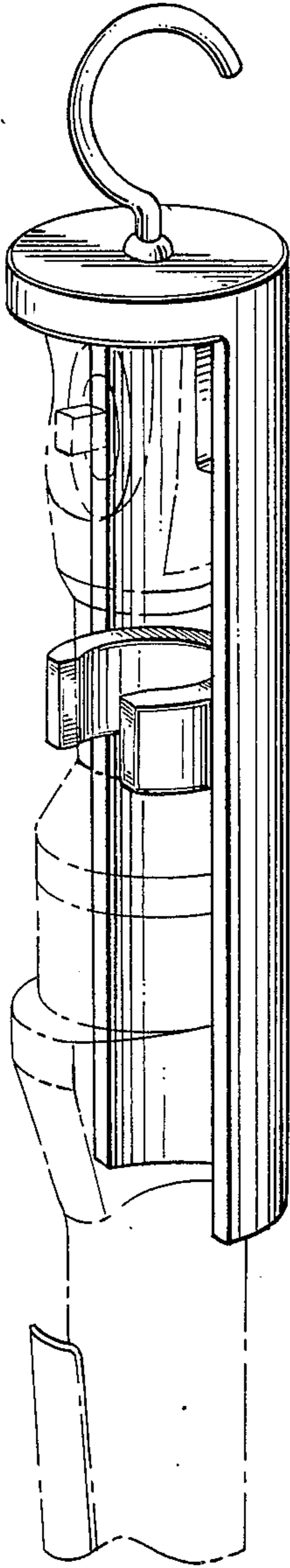


FIG. 2

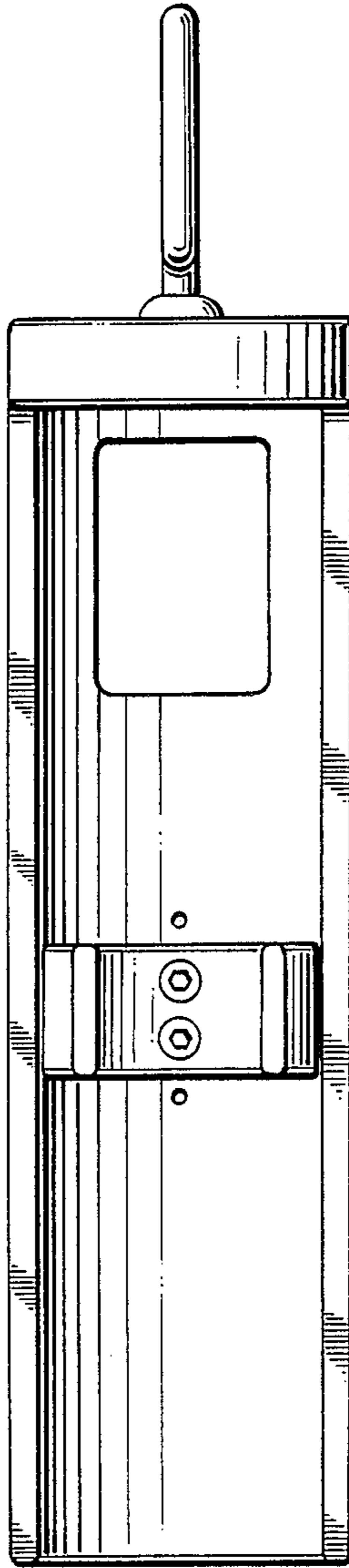


FIG. 3

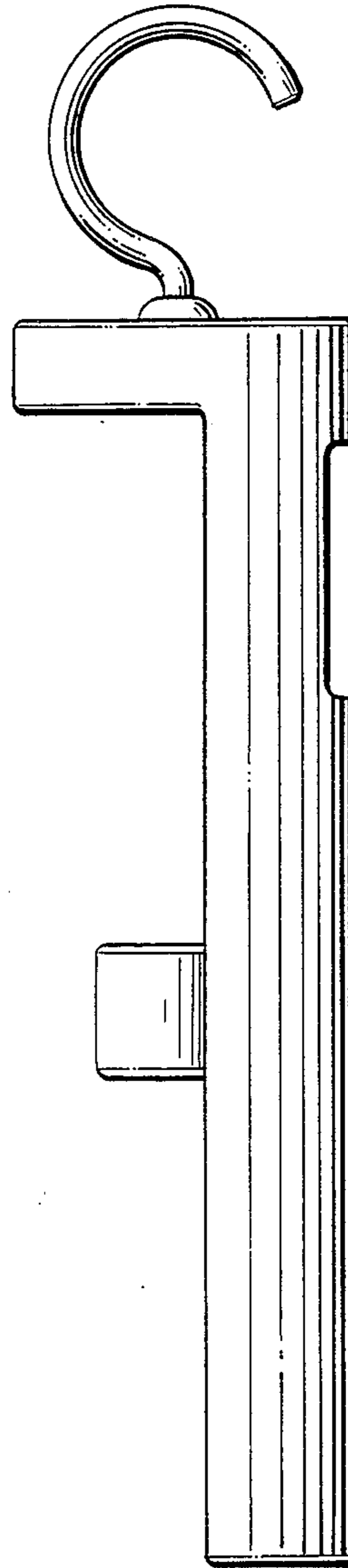


FIG. 4

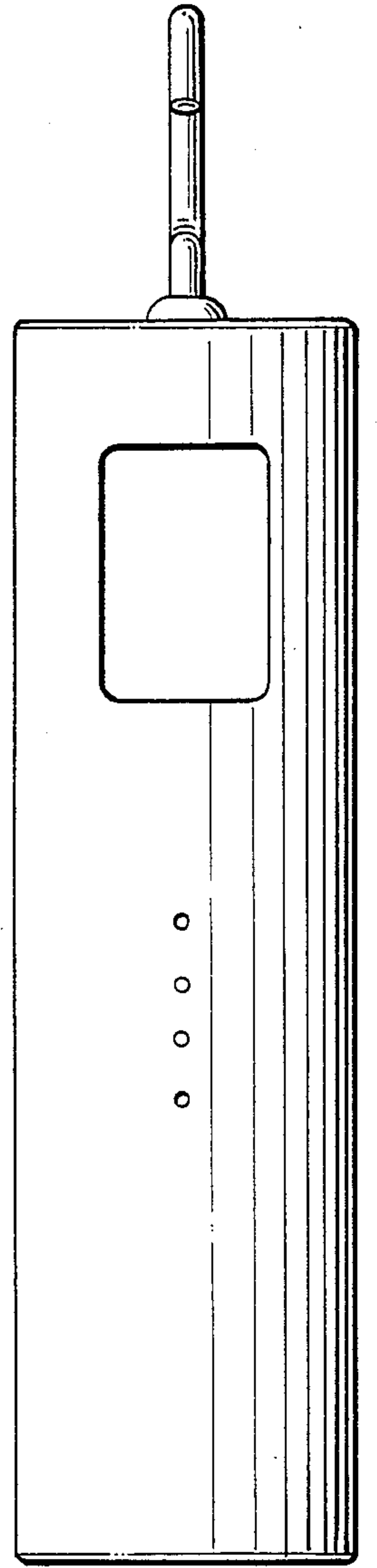


FIG. 5

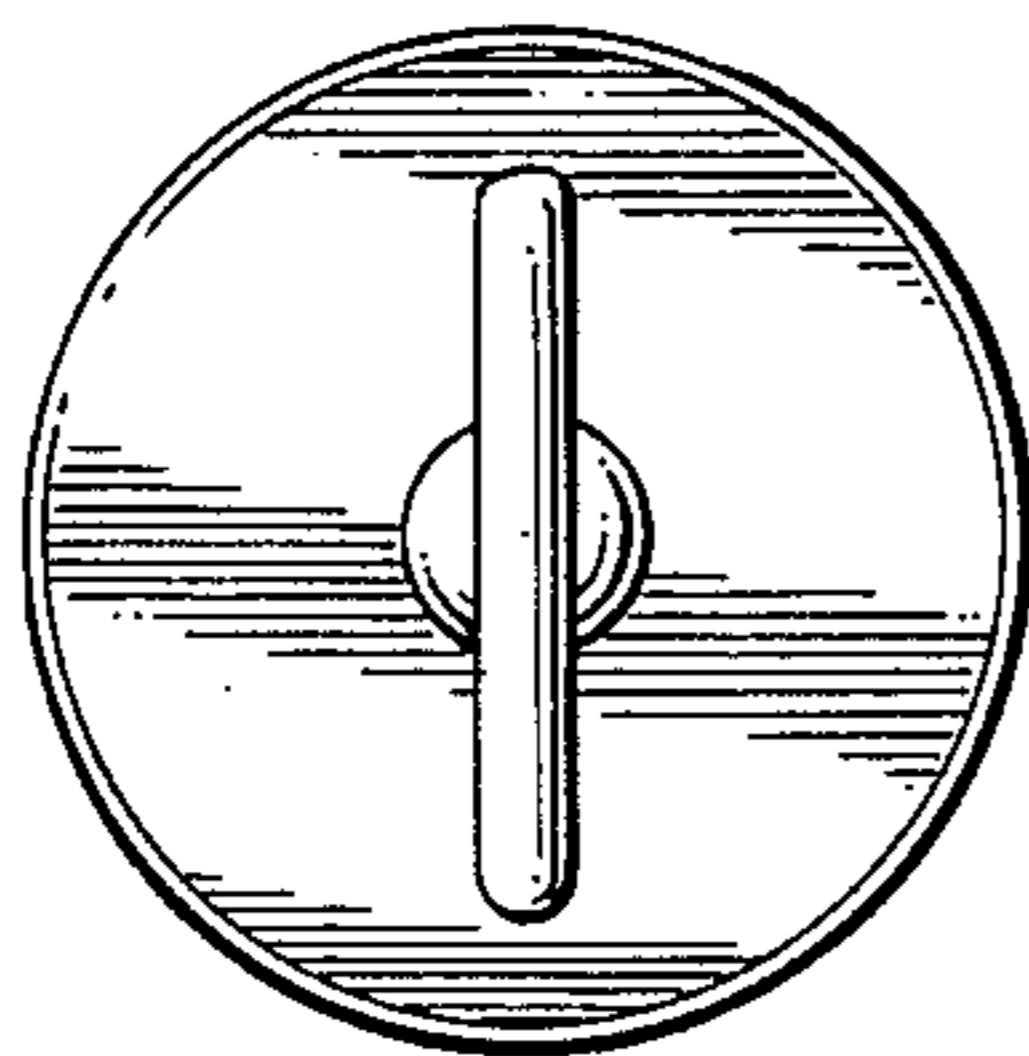


FIG. 6

