

[54] STRIKE PLATE

[75] Inventors: Lee S. Weinerman, Medina; Joel T. Vargus, Middleburg Heights, both of Ohio

[73] Assignee: The Eastern Company, Cleveland, Ohio

[\*\*] Term: 14 Years

[21] Appl. No.: 390,671

[22] Filed: Aug. 7, 1989

Related U.S. Application Data

[63] Continuation of Ser. No. 109,421, Oct. 16, 1987, Pat. No. 304,291, and a continuation-in-part of Ser. No. 109,479, Oct. 16, 1987, Pat. No. 4,896,906, which is a continuation-in-part of Ser. No. 54,687, May 27, 1987, abandoned, which is a continuation of Ser. No. 830,709, Feb. 18, 1986, abandoned, and a continuation-in-part of Ser. No. 303,972, Jan. 30, 1989, Pat. No. 4,917,412, which is a continuation of Ser. No. 191,817, May 3, 1988, abandoned, which is a continuation of Ser. No. 54,687, May 27, 1987, abandoned, which is a continuation of Ser. No. 830,709, Feb. 18, 1986, abandoned, and a continuation-in-part of Ser. No. 320,894, Mar. 9, 1989, abandoned, which is a continuation of Ser. No. 222,349, Jul. 20, 1988, abandoned, which is a continuation of Ser. No. 106,934, Oct. 5, 1987, abandoned, which is a continuation of Ser. No. 830,709, Feb. 18, 1986, abandoned.

[52] U.S. Cl. .... D8/344; D8/331

[58] Field of Search ..... D8/330-331, D8/339, 341-342; 292/137, 169.11, 183, 189, 145, 147, 283, 342, DIG. 3, DIG. 23, DIG. 32

[56] References Cited

U.S. PATENT DOCUMENTS

D. 48,834	4/1916	Sprung et al. .	
D. 292,369	10/1987	Greco .....	D8/331
D. 297,706	9/1988	Falk .....	D8/331
4,620,736	11/1986	Shanks .....	293/116

OTHER PUBLICATIONS

Eberhard Mfg. Co., Cleveland, Ohio, "Handbook of Latches, Locks, Hinges, Handles & Related Hardware", Catalog No. 103, pp. 33-36 of Sect. 1, Copyright 1985.

Eberhard Mfg. Co., Cleveland, Ohio Catalog, "Eberhard Malleable Products", p. 95 (title page & page showing copyright also included), Copyright 1937.

Primary Examiner—Wallace R. Burke

Assistant Examiner—Brian N. Vinson

Attorney, Agent, or Firm—David A. Burge

[57] CLAIM

The ornamental design for a strike plate, as shown and described.

DESCRIPTION

FIG. 1 is a top, front and right side perspective view of a strike plate showing our new design;

FIG. 2 is a rear elevational view thereof;

FIG. 3 is a left side elevational view thereof;

FIG. 4 is a right side elevational view thereof;

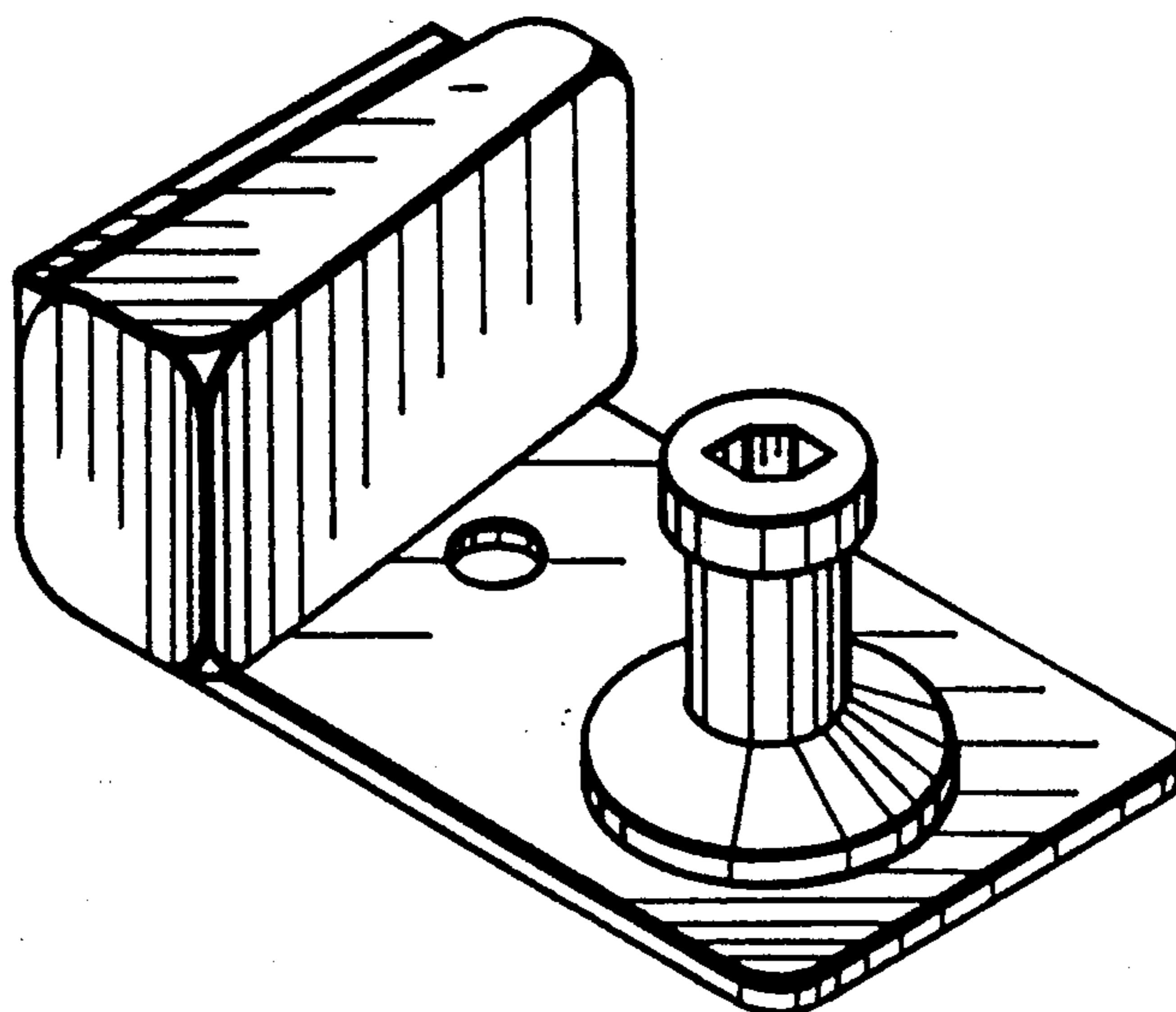
FIG. 5 is a bottom plan view thereof;

FIG. 6 is a top plan view thereof;

FIG. 7 is a top, front and left side perspective view of a second embodiment of a strike plate, it being understood that all elements of the second embodiment present simply a mirror image of the embodiment of FIGS. 1-6;

FIG. 8 is a right side elevational view of the second embodiment; and,

FIG. 9 is a rear elevational view of the second embodiment.



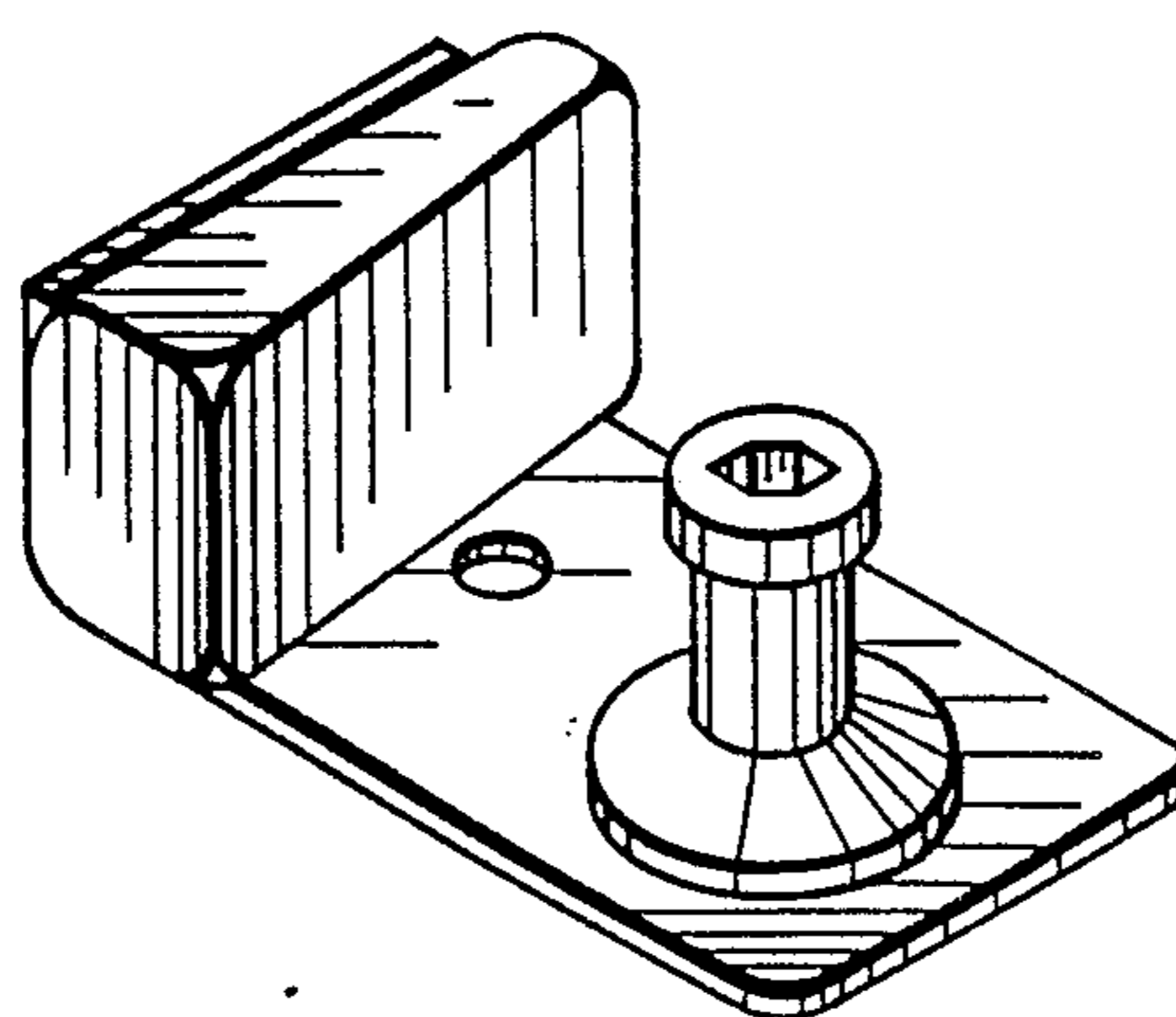


FIG. 1

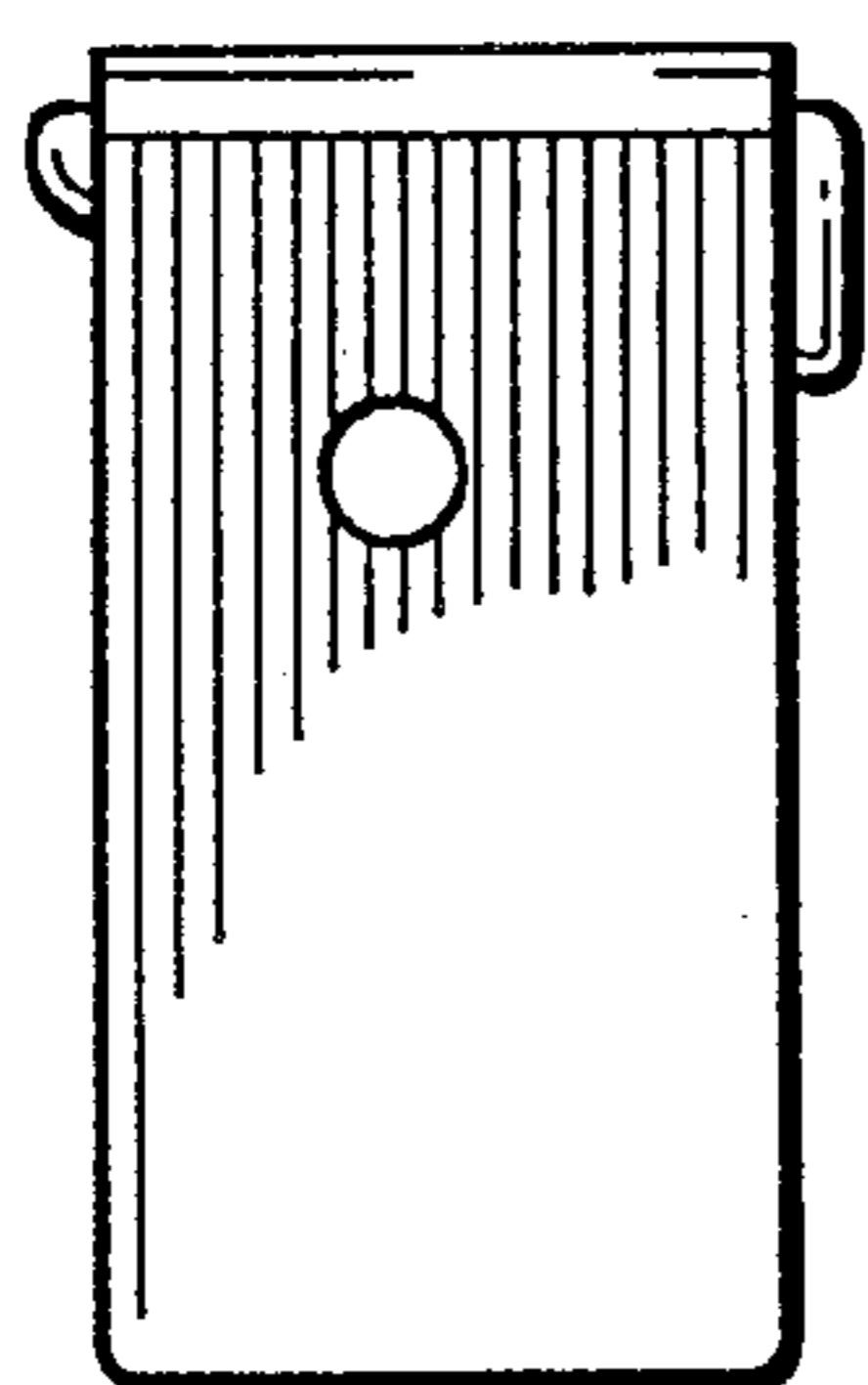


FIG. 2

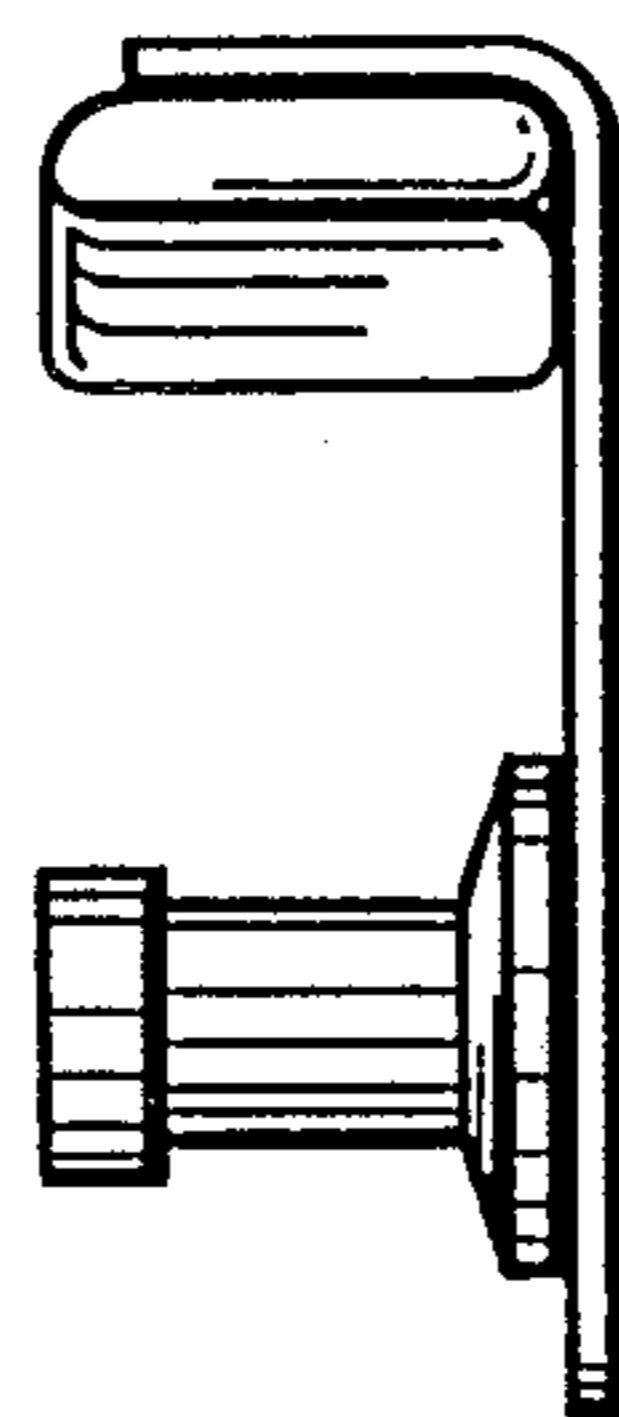


FIG. 3

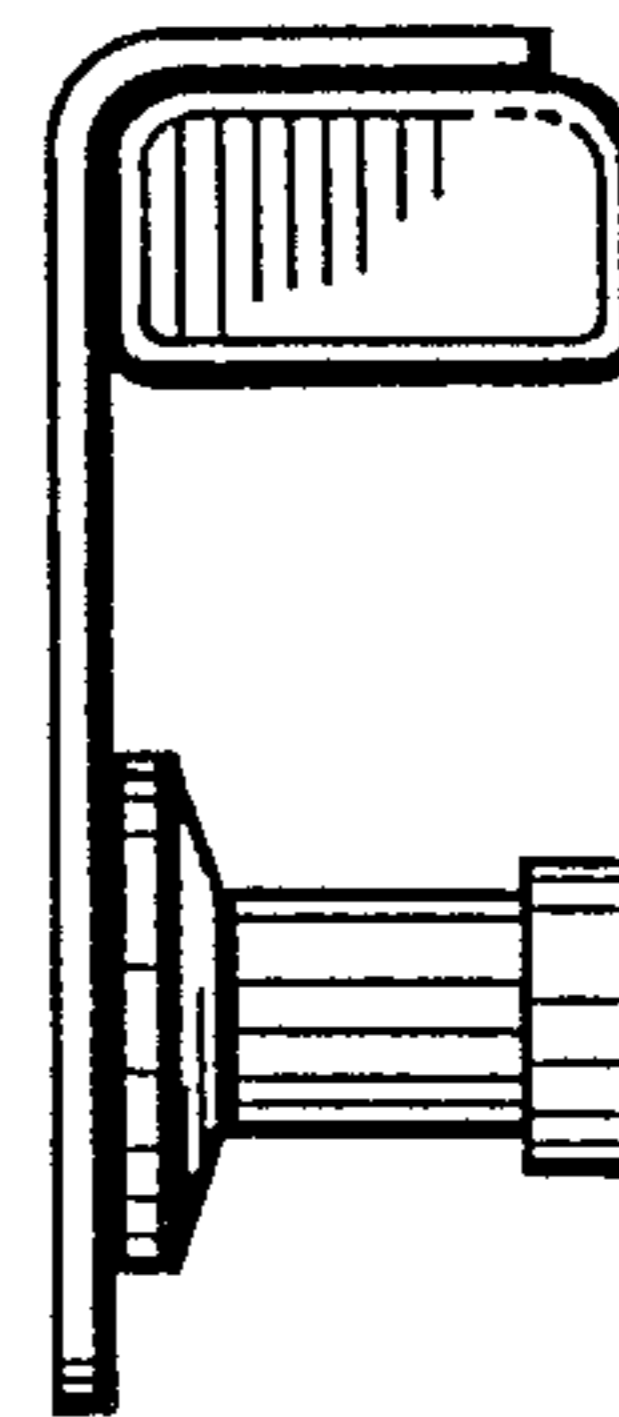


FIG. 4

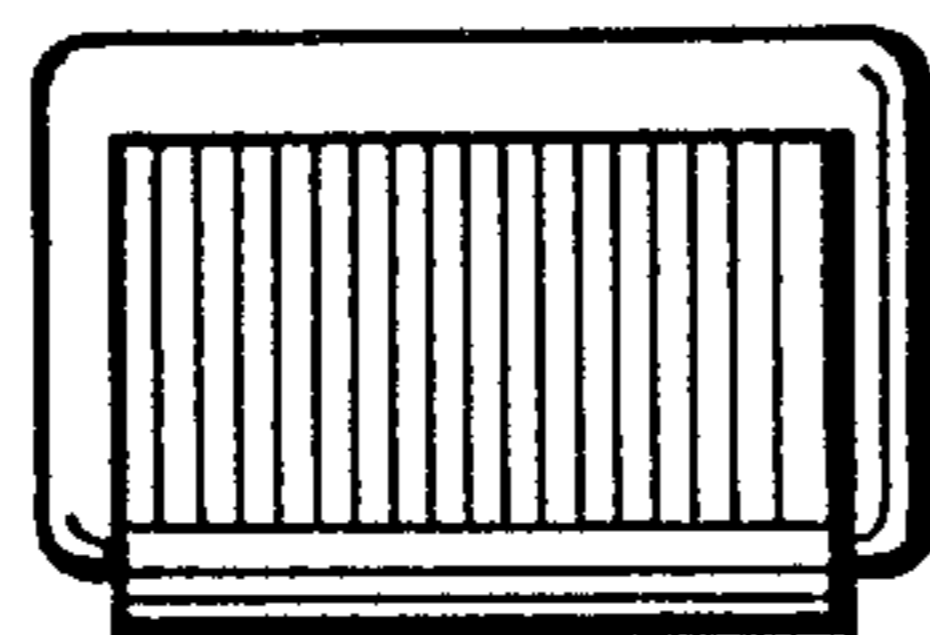


FIG. 5

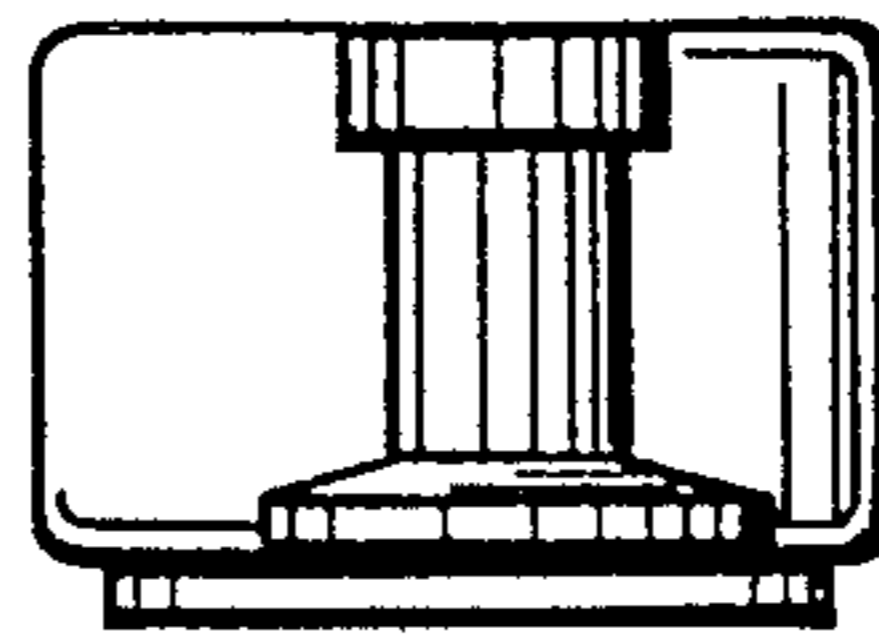


FIG. 6

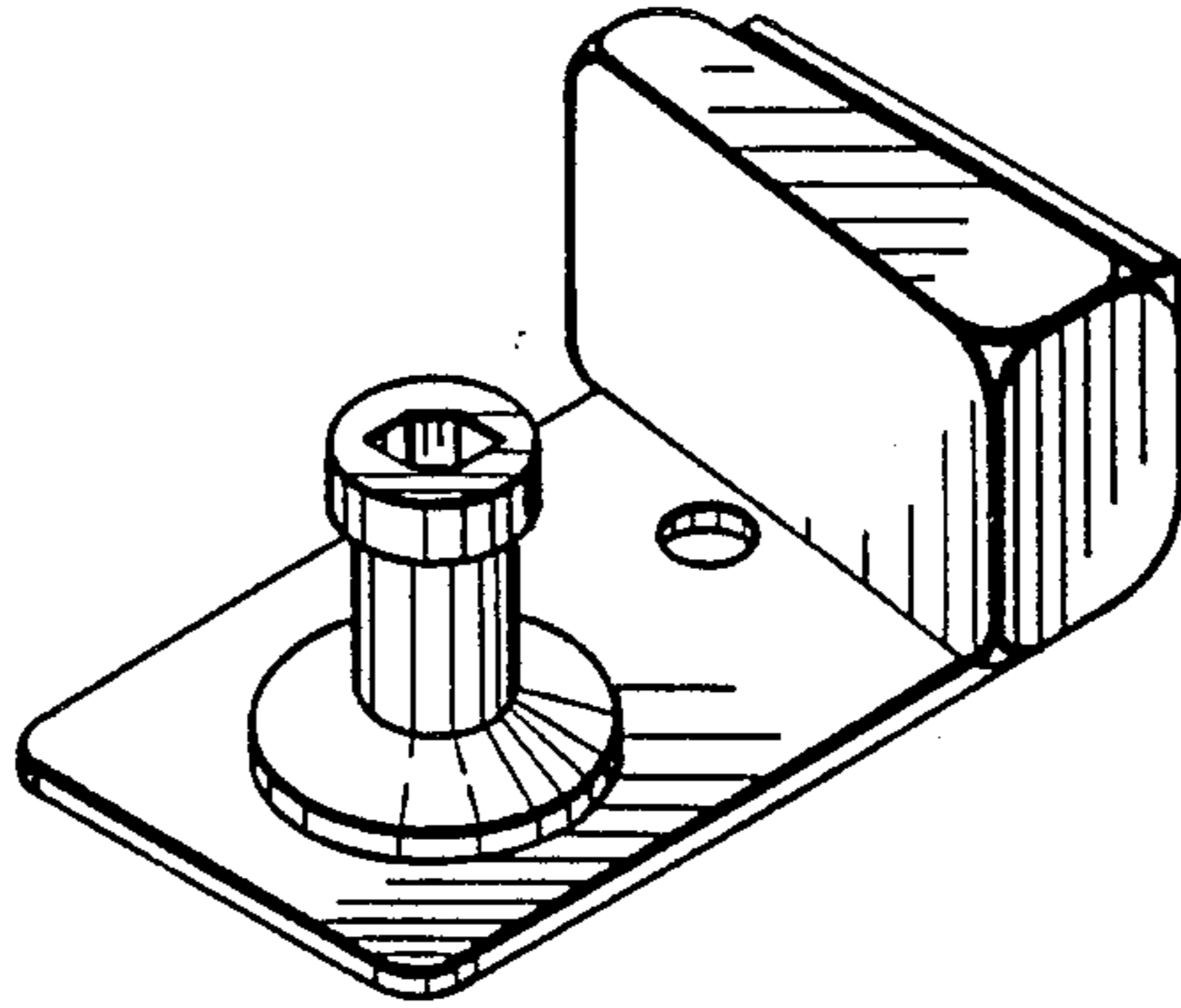


FIG. 7

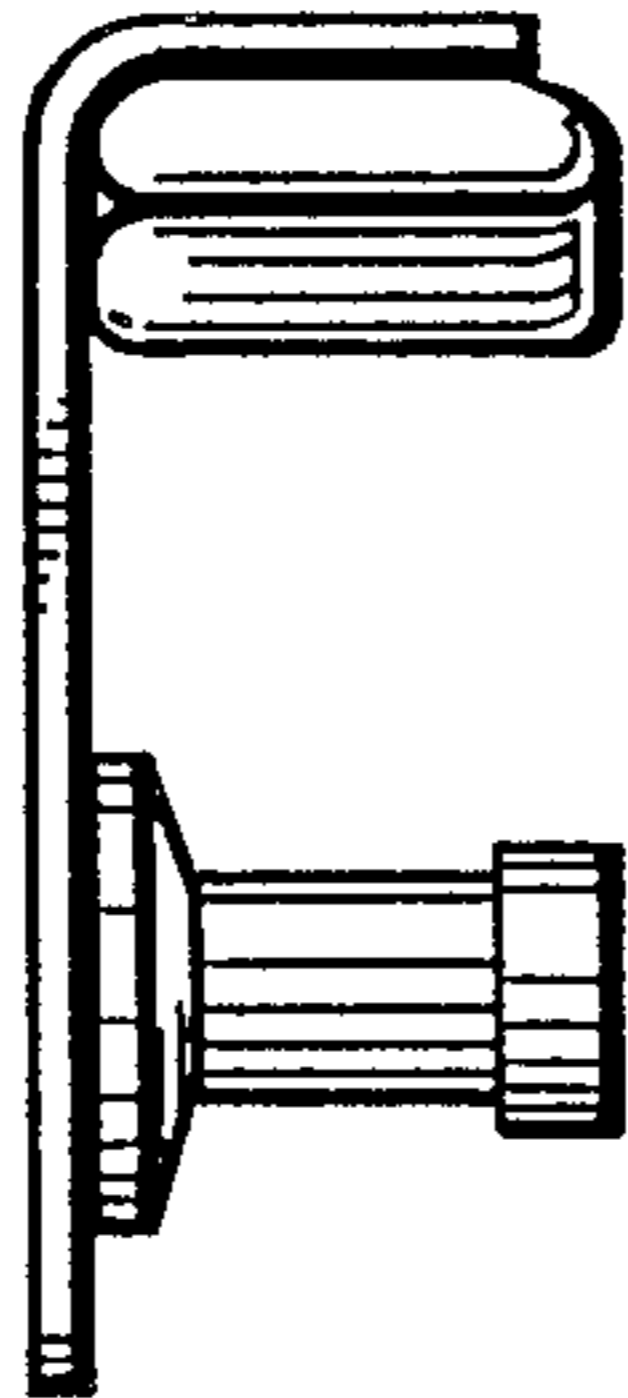


FIG. 8

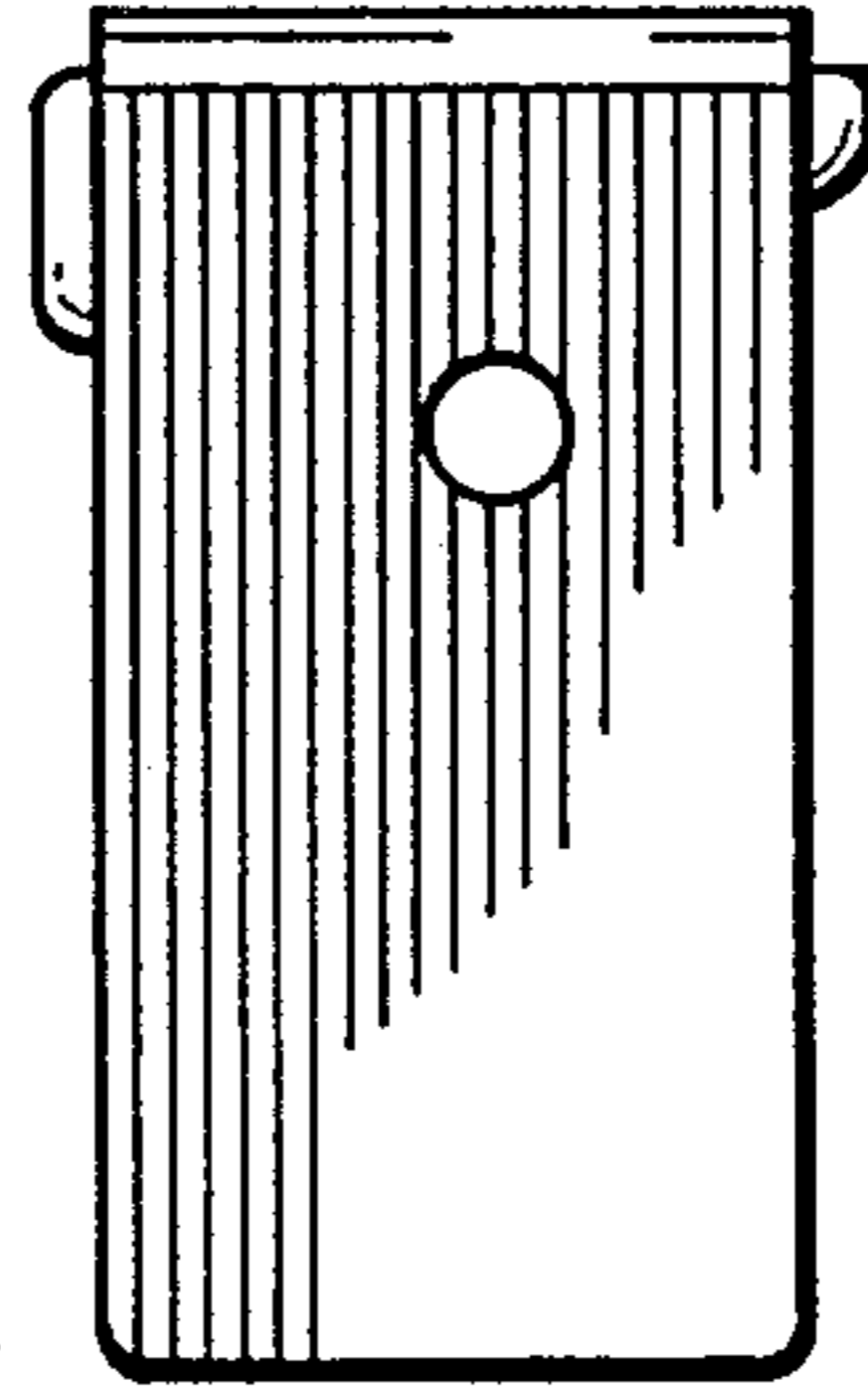


FIG. 9