

[54] LATCH HOUSING

. 297,706 9/1988 Falk D8/331
4,620,736 11/1986 Shanks 293/116

[75] Inventors: Lee S. Weinerman, Medina; Joel T. Vargus, Middleburg Heights, both of Ohio

[73] Assignee: The Eastern Company, Cleveland, Ohio

[**] Term: 14 Years

[21] Appl. No.: 390,669

[22] Filed: Aug. 7, 1989

Related U.S. Application Data

[63] Continuation of Ser. No. 109,421, Oct. 16, 1987, Pat. No. 304,291, and a continuation-in-part of Ser. No. 109,479, Oct. 6, 1987, Pat. No. 4,896,906, which is a continuation-in-part of Ser. No. 54,687, May 27, 1987, abandoned, which is a continuation of Ser. No. 830,709, Feb. 18, 1986, abandoned, and a continuation-in-part of Ser. No. 303,972, Jan. 30, 1989, Pat. No. 4,917,412, which is a continuation of Ser. No. 191,817, May 3, 1988, abandoned, which is a continuation of Ser. No. 54,687, May 27, 1987, abandoned, which is a continuation of Ser. No. 830,709, Feb. 18, 1986, abandoned, and a continuation-in-part of Ser. No. 320,894, Mar. 9, 1989, abandoned, which is a continuation of Ser. No. 222,349, Jul. 20, 1988, abandoned, which is a continuation of Ser. No. 106,934, Oct. 5, 1987, abandoned, which is a continuation of Ser. No. 830,709, Feb. 18, 1986, abandoned.

[52] U.S. Cl. D8/331
[58] Field of Search D8/330-331, D8/339, 341-342; 292/137, 169.11, 183, 189, 145, 147, 283, 342, DIG. 3, DIG. 23, DIG. 32

[56] References Cited

U.S. PATENT DOCUMENTS

D. 48,834 4/1916 Sprung et al. .
D. 292,369 10/1987 Greco D8/331

OTHER PUBLICATIONS

Eberhard Mfg. Co., Cleveland, Ohio, "Handbook of Latches, Locks, Hinges, Handles & Related Hardware", Catalog No. 103, pp. 33-36, of Sect. 1, Copyright 1985.

Eberhard Mfg. Co., Cleveland, Ohio, Catalog, "Eberhard Malleable Products", p. 95 (title page & page showing copyright also included), Copyright 1937.

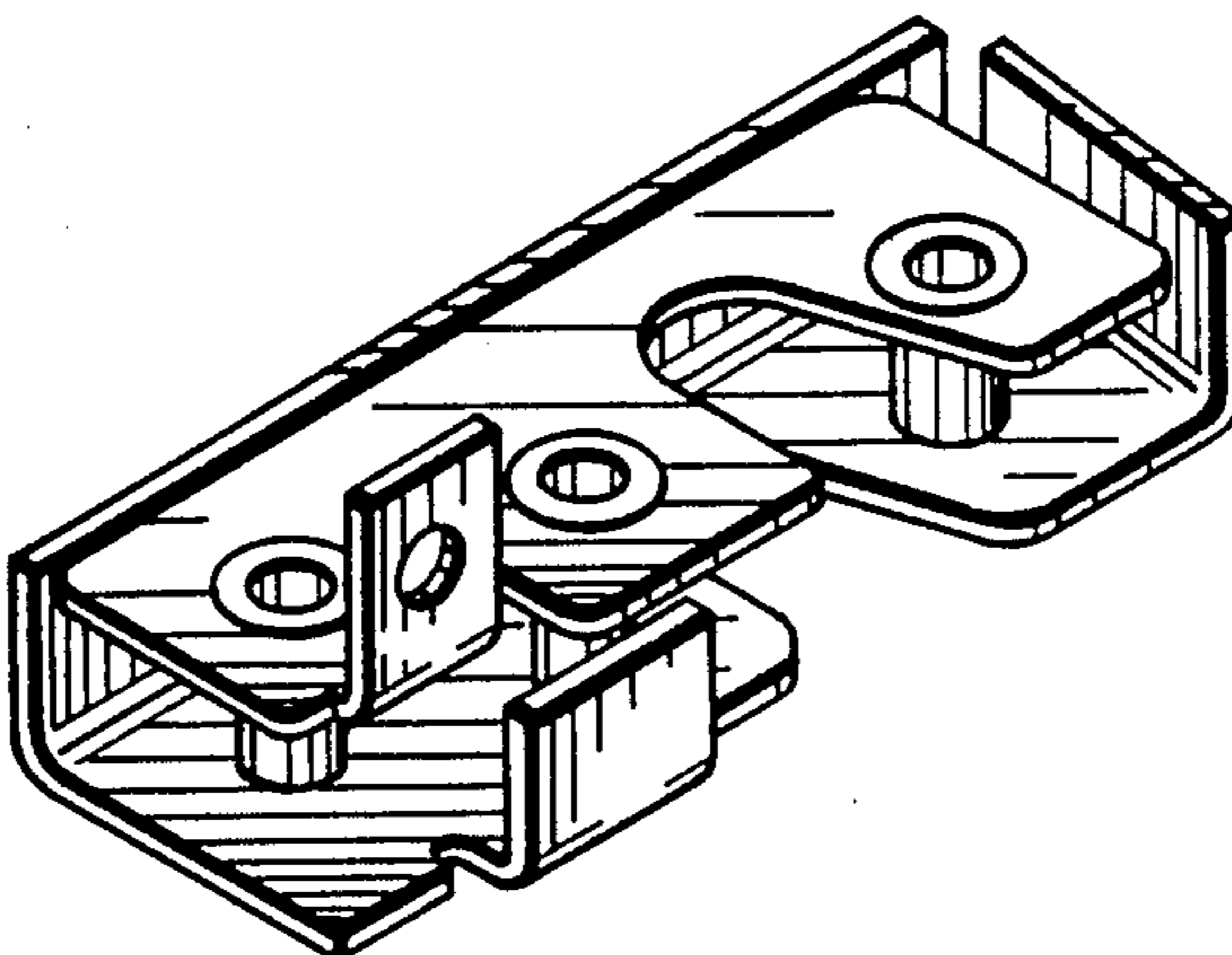
Primary Examiner—Wallace R. Burke
Assistant Examiner—Brian N. Vinson
Attorney, Agent, or Firm—David A. Burge

[57] CLAIM

The ornamental design for a latch housing, as shown and described.

DESCRIPTION

FIG. 1 is a top, front and right side perspective view of a latch housing showing our new design; FIG. 2 is a rear elevational view thereof; FIG. 3 is a bottom plan view thereof; FIG. 4 is a top plan view thereof; FIG. 5 is a right side elevational view thereof; FIG. 6 is a left side elevational view thereof; FIG. 7 is a top, front and left of a second embodiment of the latch housing, it being understood that all elements of the second embodiment present simply a mirror image of the embodiment of FIGS. 1-6; FIG. 8 is a top, front and right side perspective view of a third embodiment of the latch housing, the only difference from that of the embodiment of FIG. 1 residing in the absence of the small flange element on the upper surface; and FIG. 9 is a top, front and left of a fourth embodiment of the latch housing, it being understood that all elements of the fourth embodiment present simply a mirror image of the embodiment of FIG. 8.



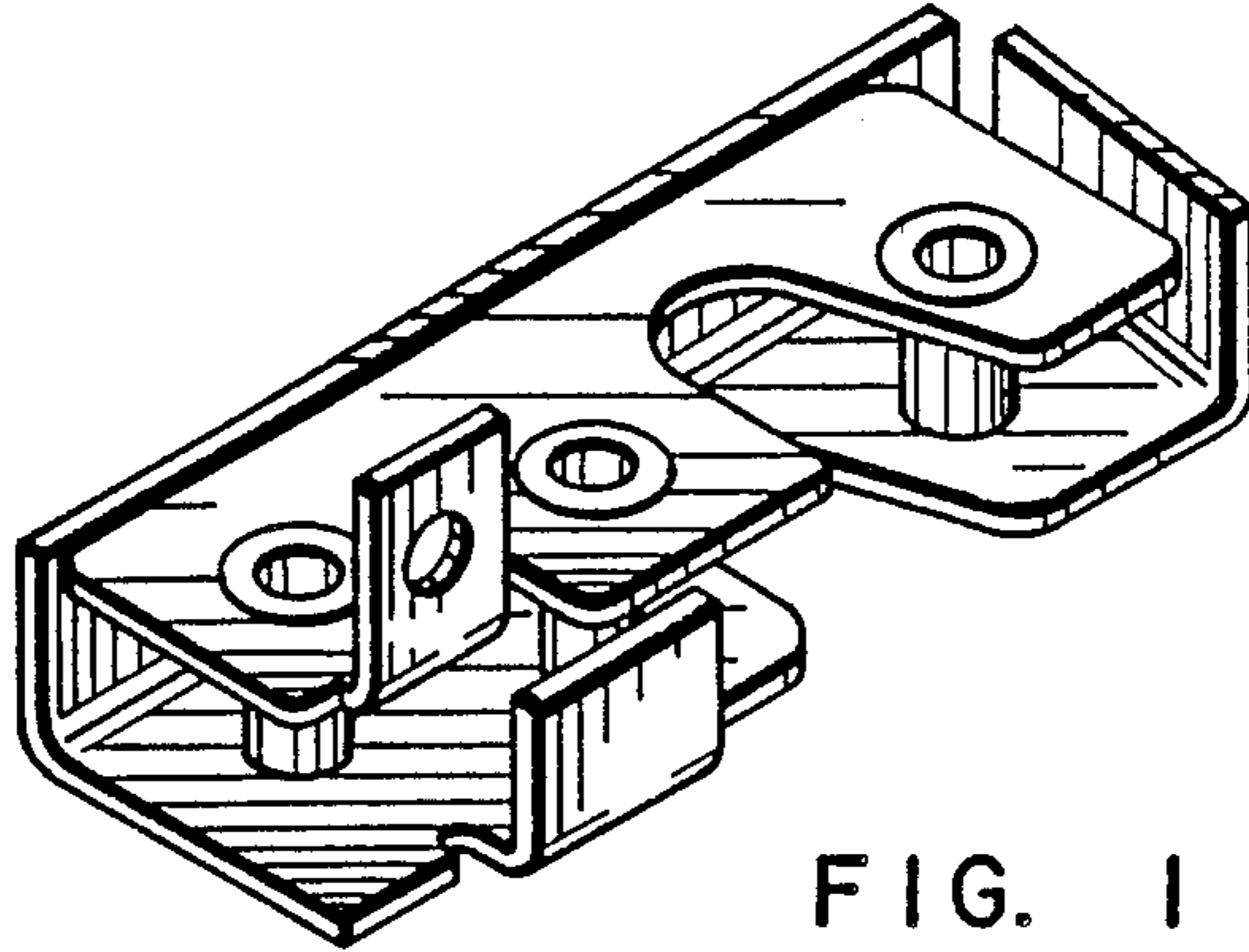


FIG. 1

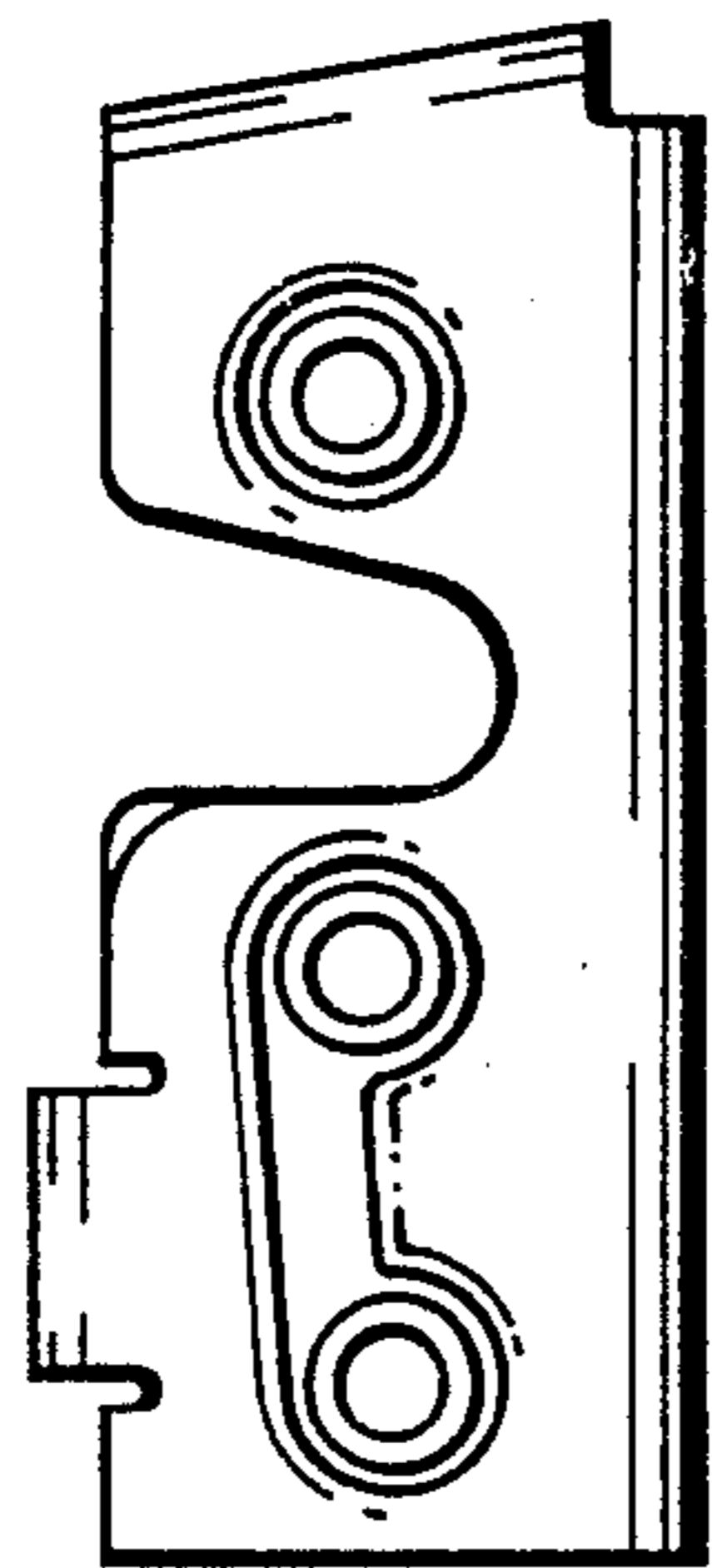


FIG. 2

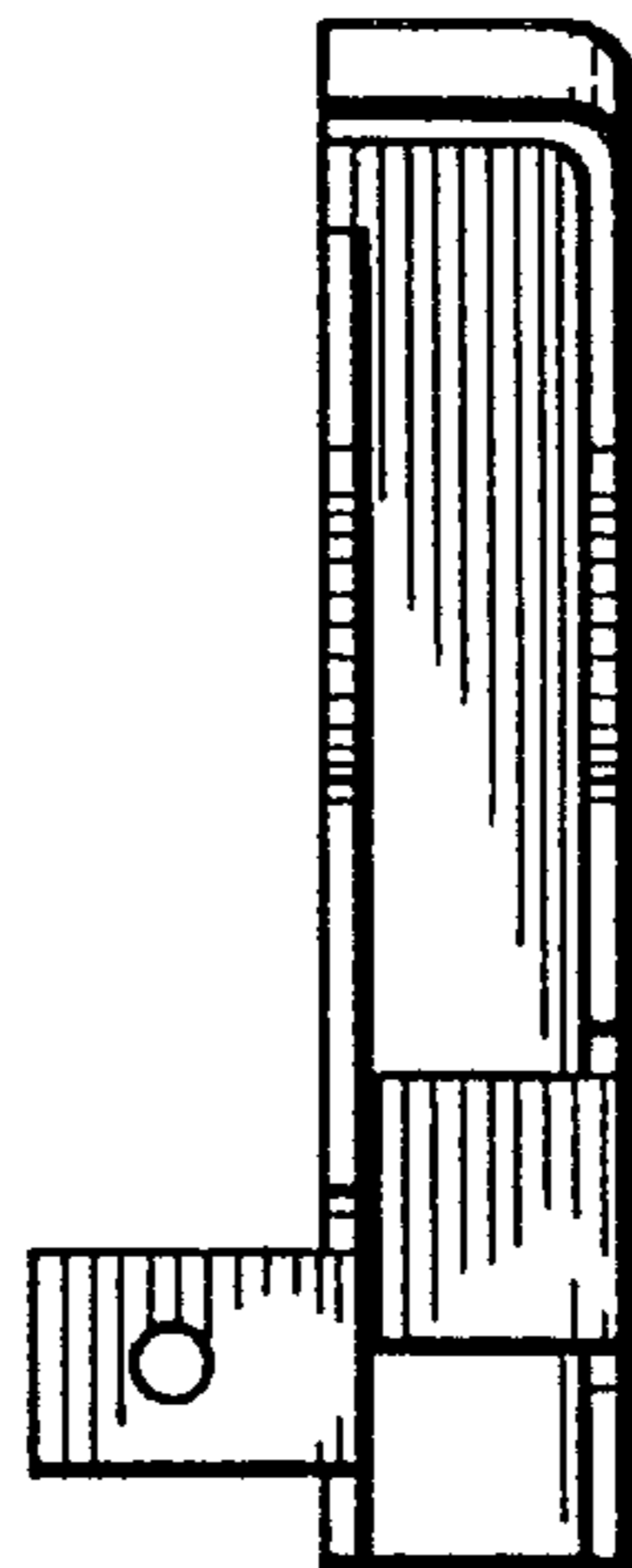


FIG. 5

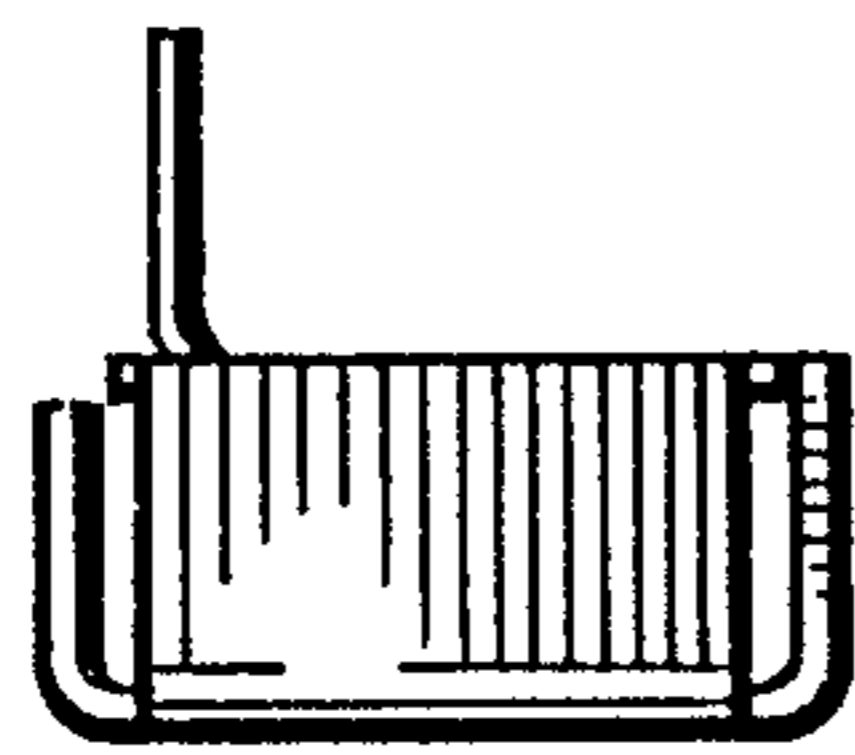


FIG. 3

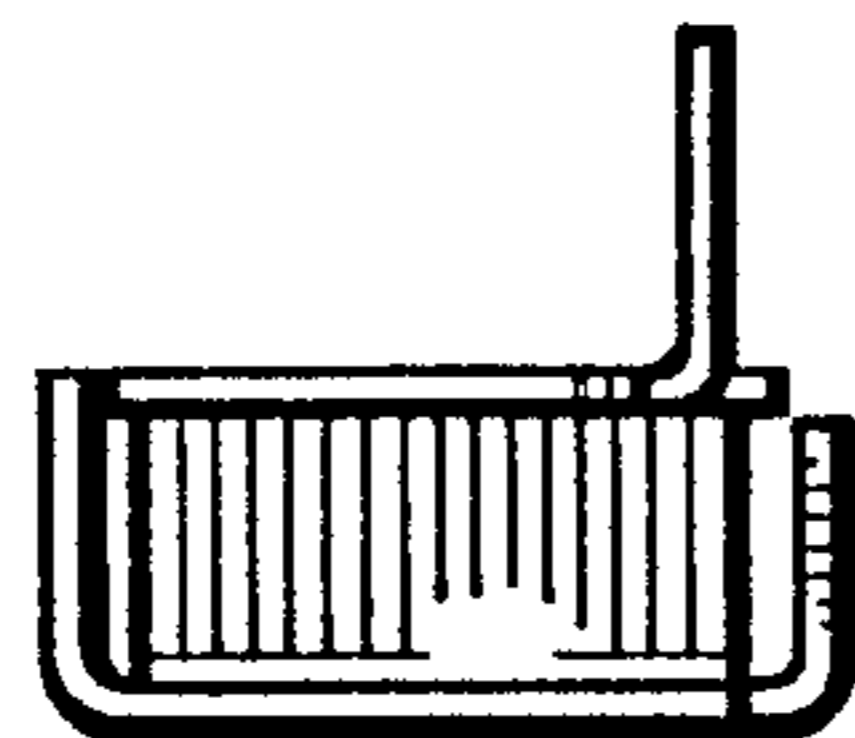


FIG. 4

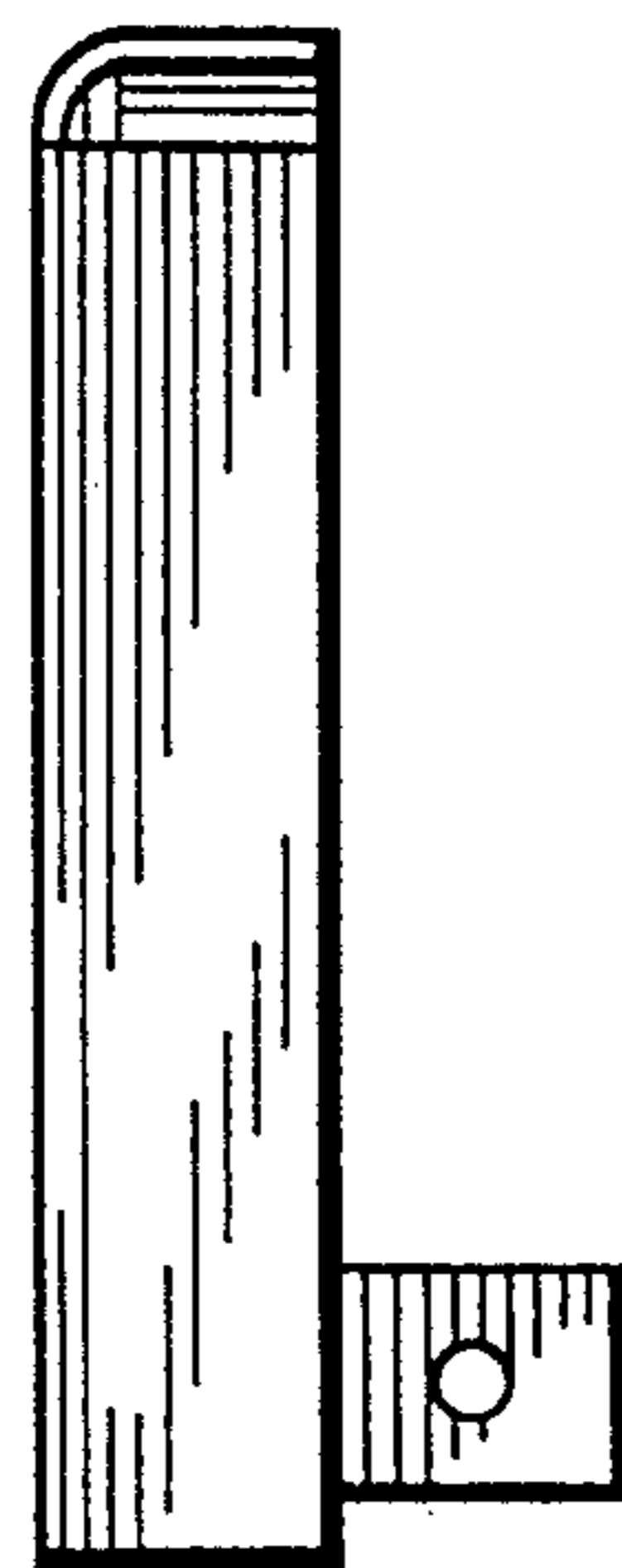


FIG. 6

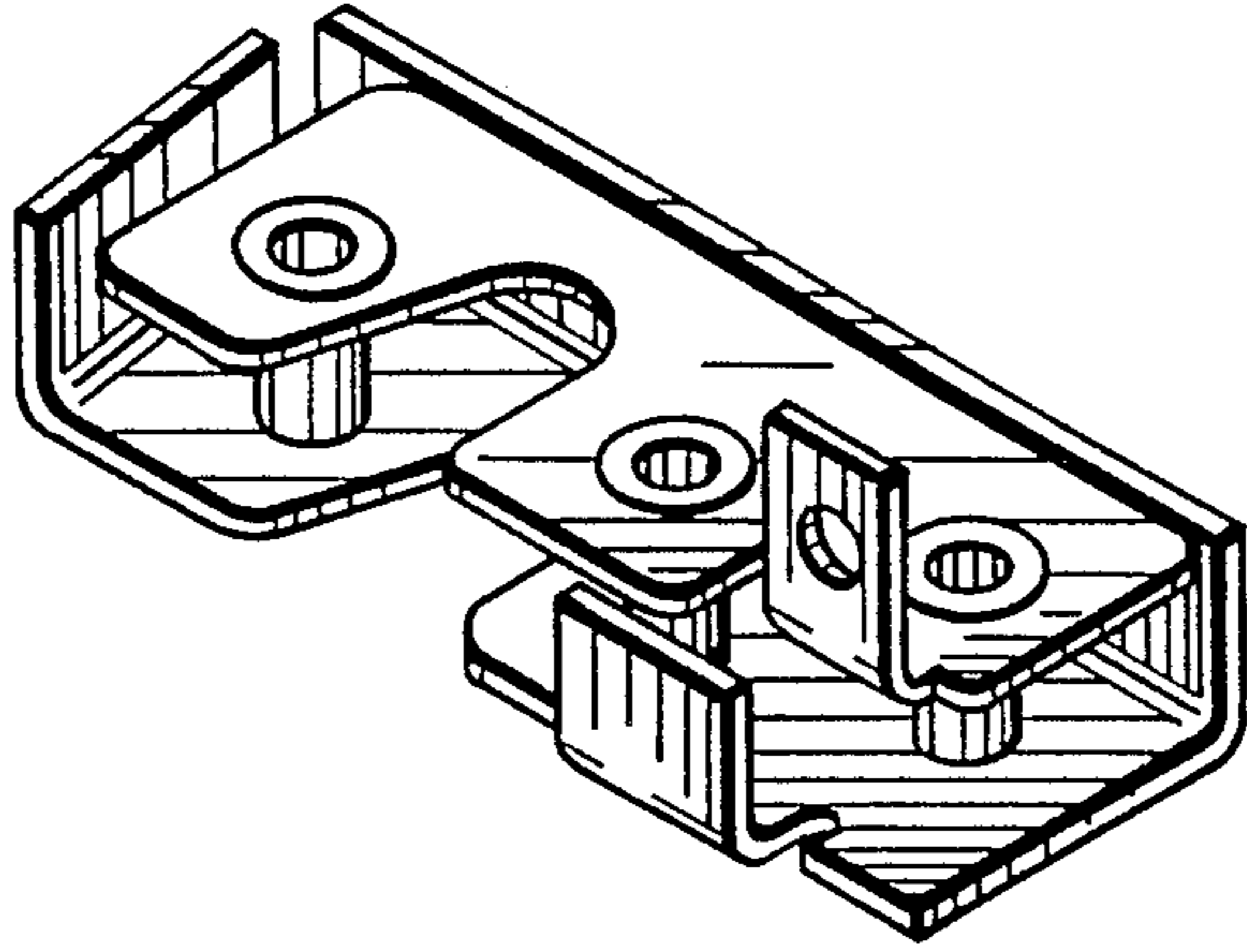


FIG. 7

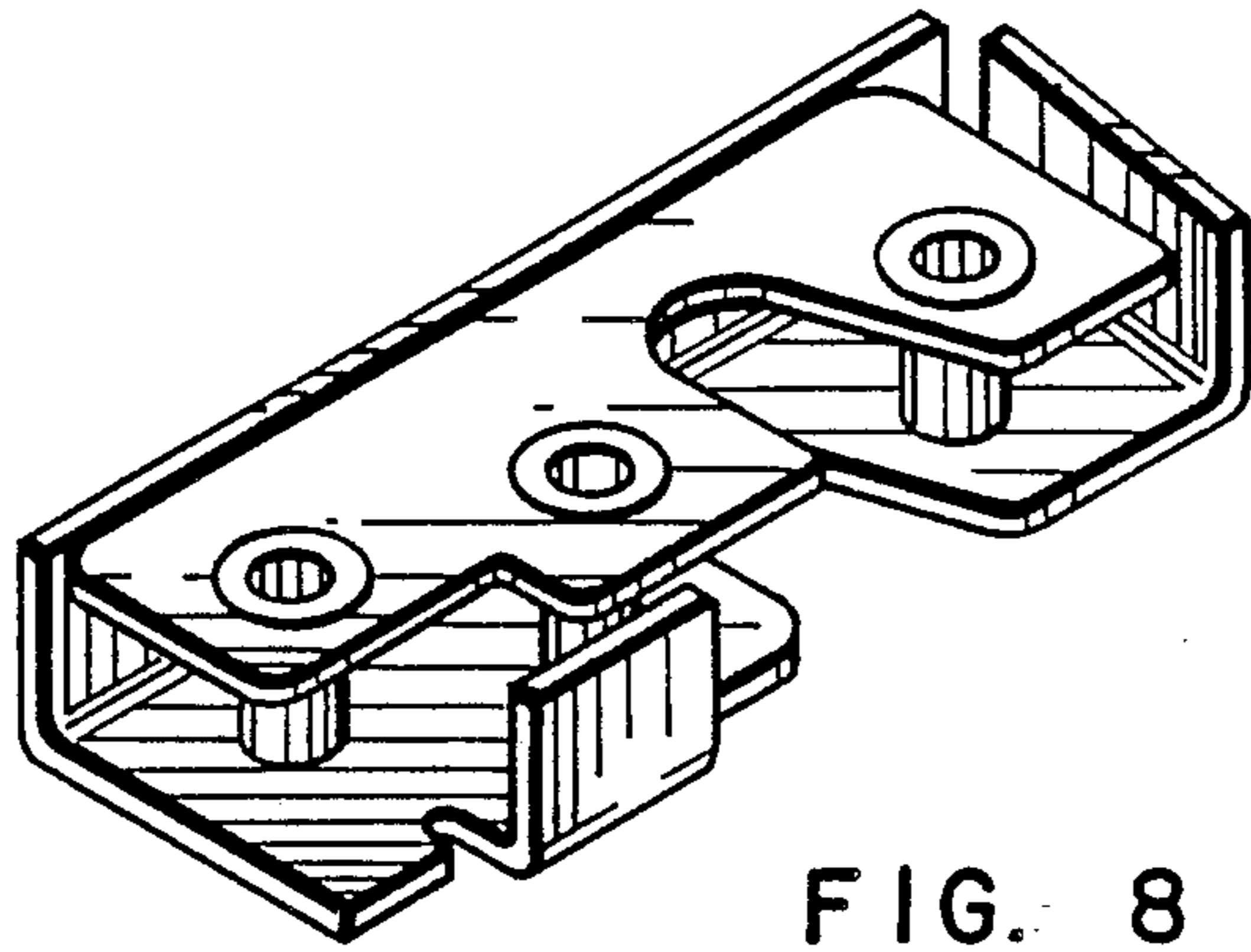


FIG. 8

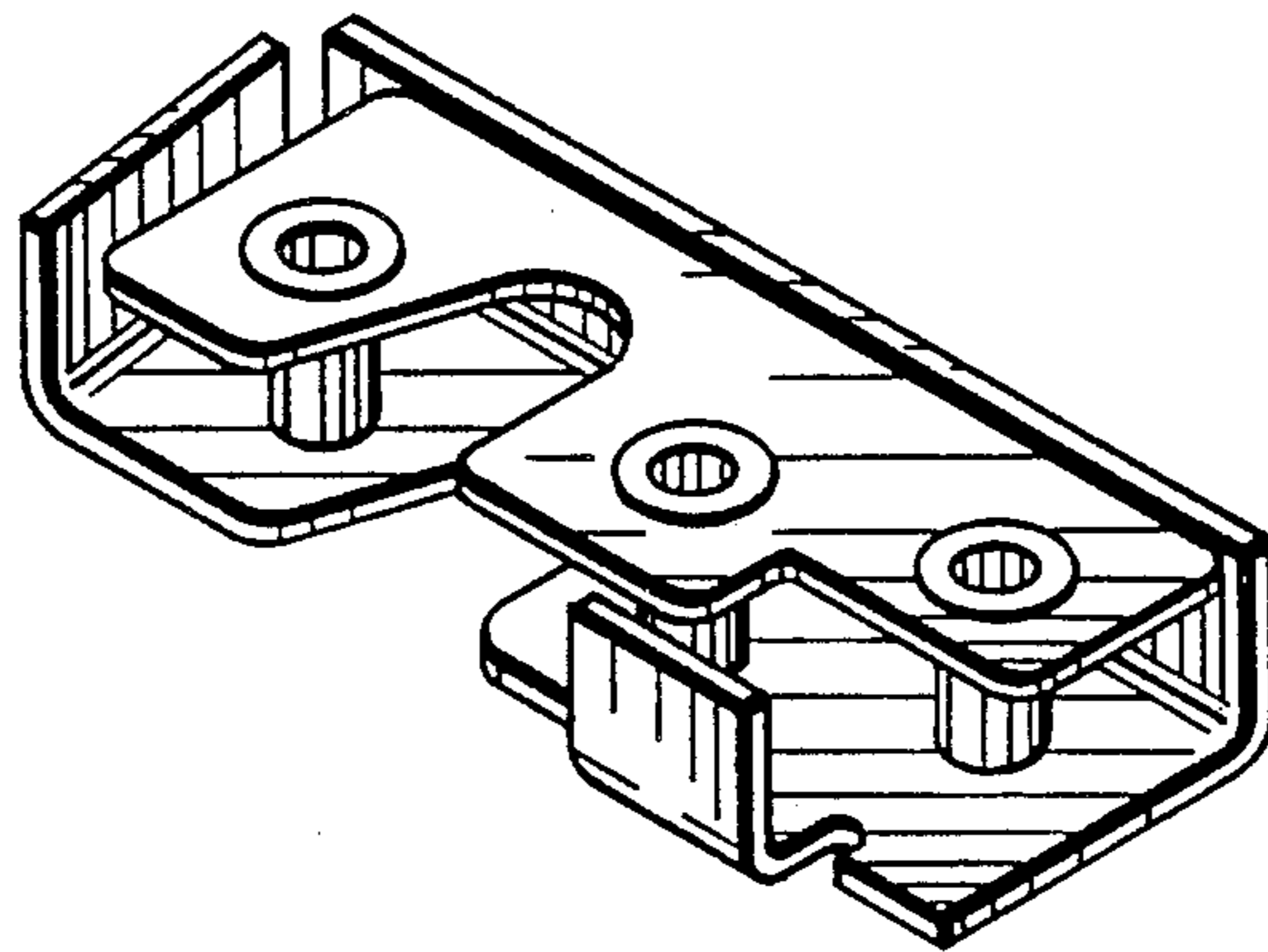


FIG. 9