

[54] **FURNITURE HANDLE**

D. 295,827 5/1988 Benjamin D8/317

[75] **Inventor: Franz W. Jans, Rodermark, Fed. Rep. of Germany**

OTHER PUBLICATIONS

Arbitare 213; 4/1983; p. 7; lever.

[73] **Assignee: Jado Bathroom and Hardware Manufacturing Corp., Camarillo, Calif.**

Primary Examiner—B. J. Bullock
Attorney, Agent, or Firm—H. Michael Brucker

[**] **Term: 14 Years**

[57] **CLAIM**

The ornamental design for a furniture handle, as shown and described.

[21] **Appl. No.: 231,982**

DESCRIPTION

[22] **Filed: Aug. 15, 1988**

FIG. 1 is a perspective view of the furniture handle showing my new design;

[52] **U.S. Cl. D8/316**

FIG. 2 is a front elevational view thereof;

[58] **Field of Search D8/300, 308, 315-320; 16/110 R, 111 R, 121, 124, 125**

FIG. 3 is a bottom plan view thereof the top being a mirror image;

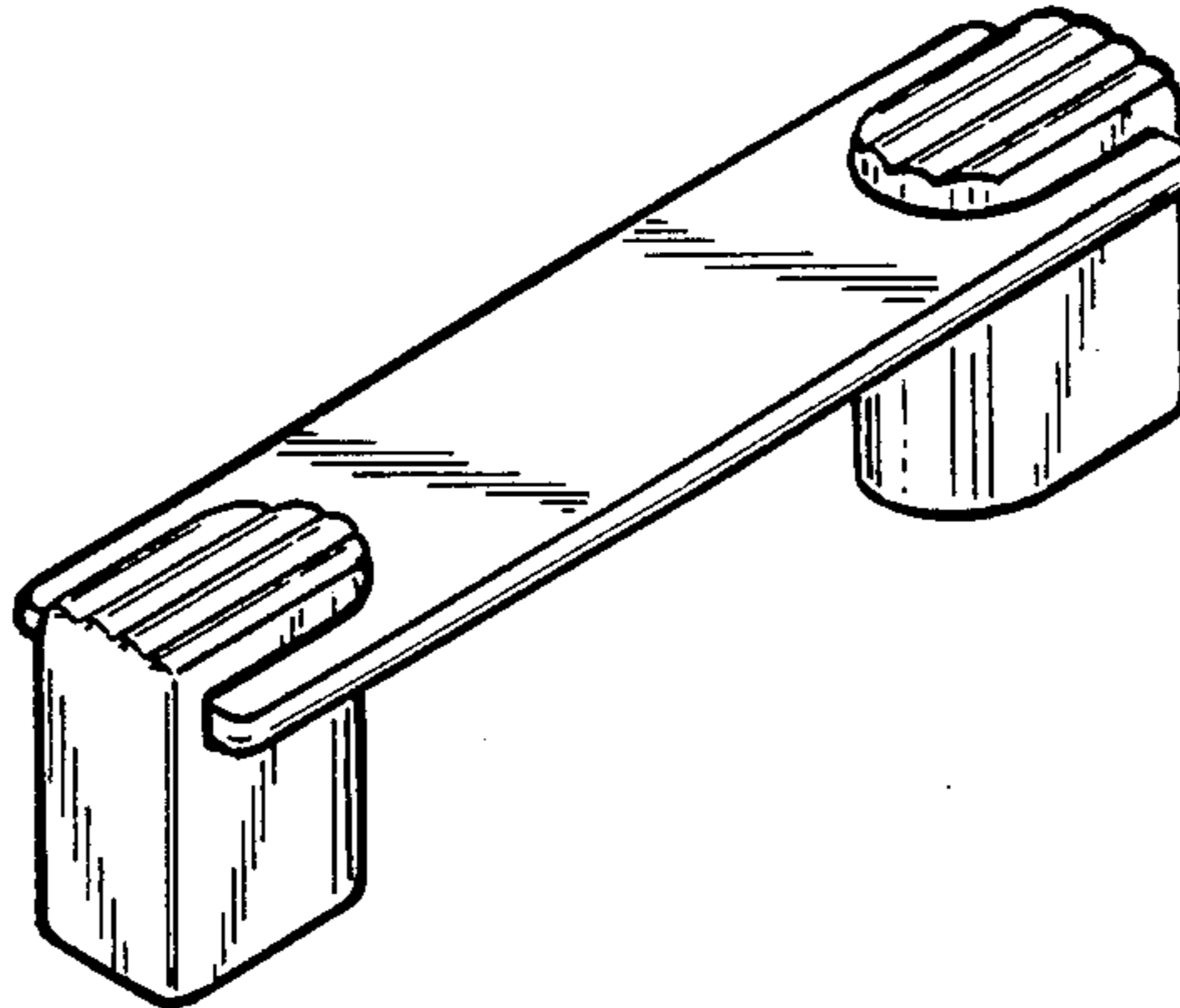
[56] **References Cited**

U.S. PATENT DOCUMENTS

D. 80,332 1/1930 Schell D8/308

FIG. 4 is a side elevational view thereof, both sides being identical;

FIG. 5 is a rear elevational view thereof.



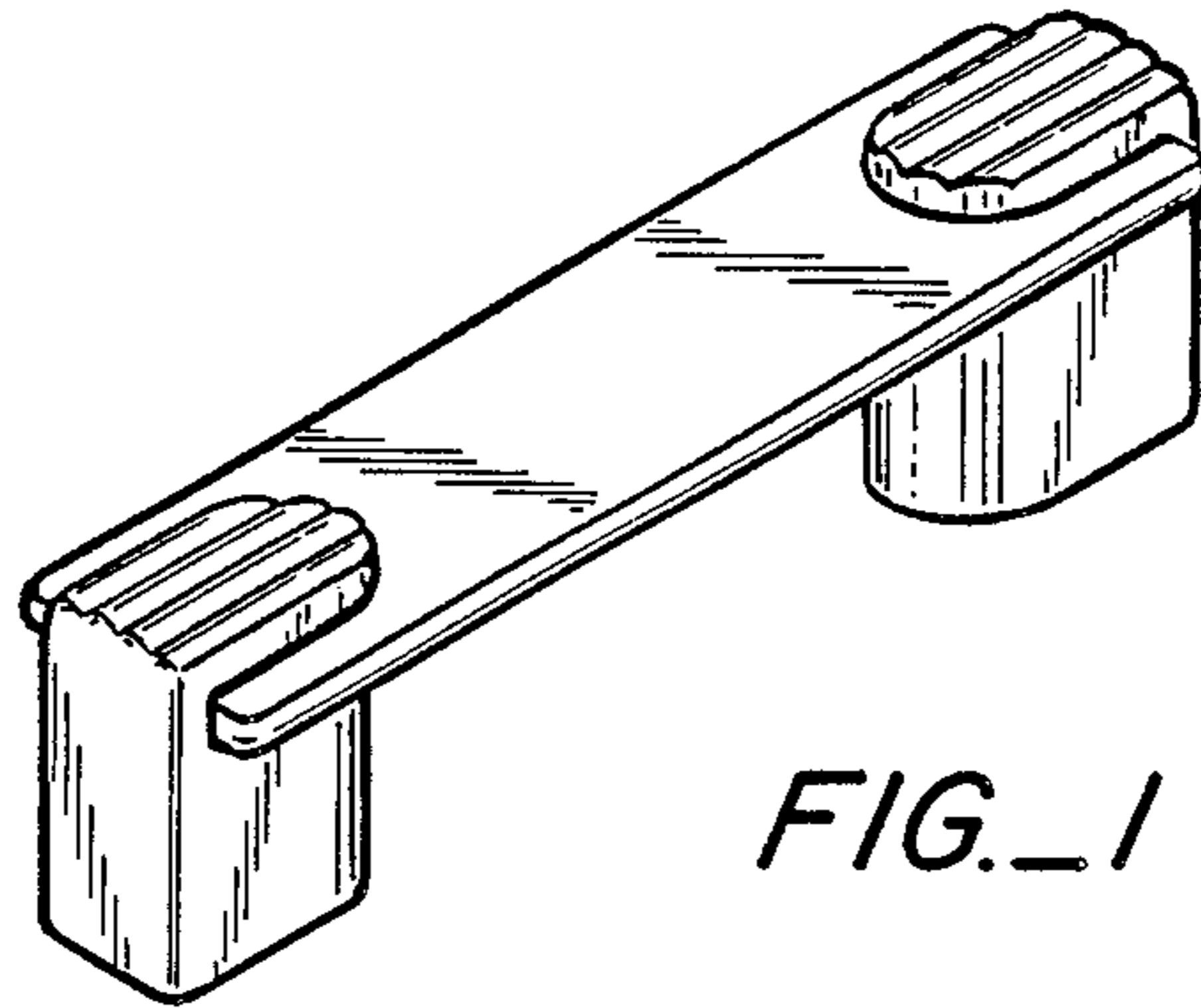


FIG._1

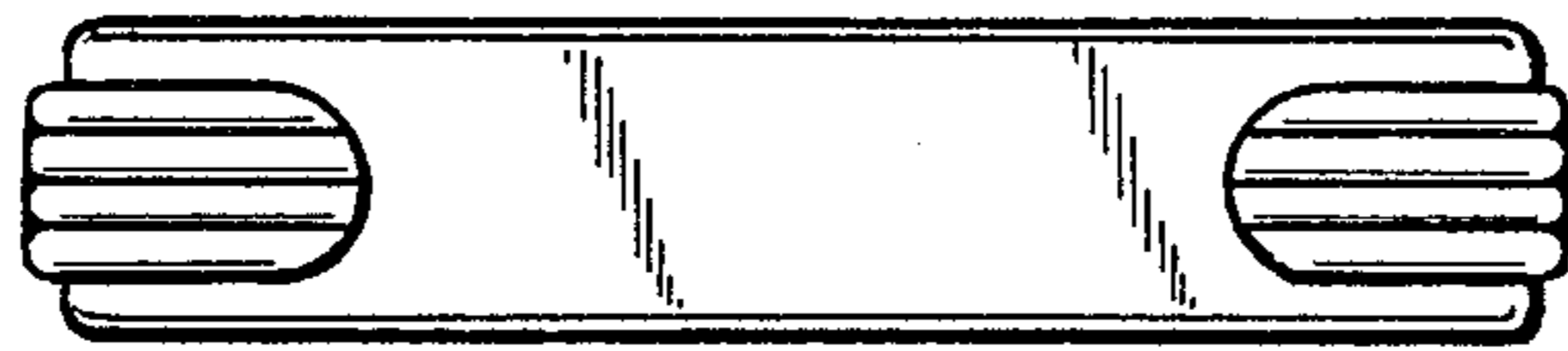


FIG._2

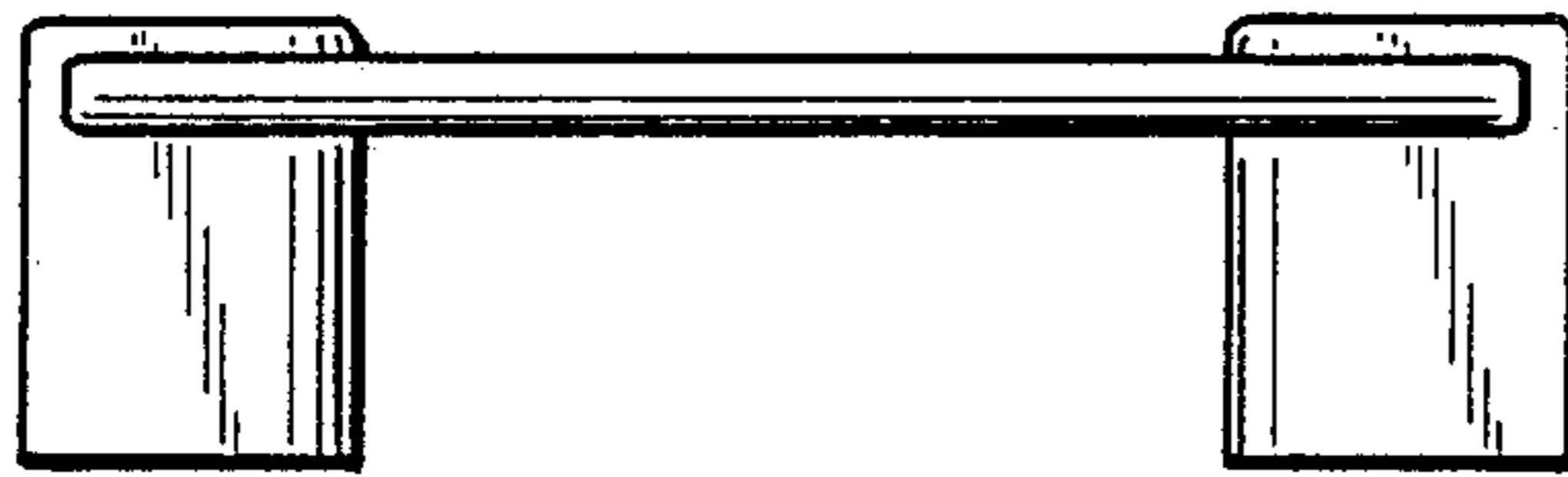


FIG._3



FIG._4

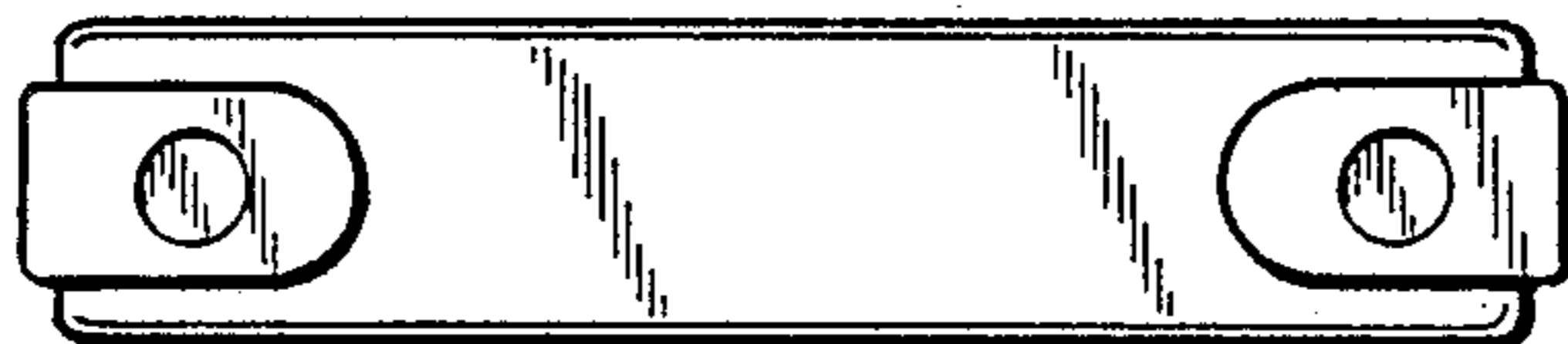


FIG._5