

[54] DOOR HANDLE

[75] Inventor: Franz W. Jans, Rodermark, Fed. Rep. of Germany

[73] Assignee: Jado Bathroom and Hardware Manufacturing Corp., Camarillo, Calif.

[\*\*] Term: 14 Years

[21] Appl. No.: 231,991

[22] Filed: Aug. 15, 1988

[52] U.S. Cl. .... D8/308

[58] Field of Search ..... D8/300-302, D8/307, 308; 16/110 R, 111 R, 121, 124, 125

[56] References Cited

U.S. PATENT DOCUMENTS

D. 295,947 5/1988 Valli ..... D8/308

OTHER PUBLICATIONS

Paul Associates Cat.; p. 49; lever 1115.  
Paul Associates Cat.; p. 51; lever 537.  
The Ironmonger Cat.; ©1980, p. 38; 103 lever.

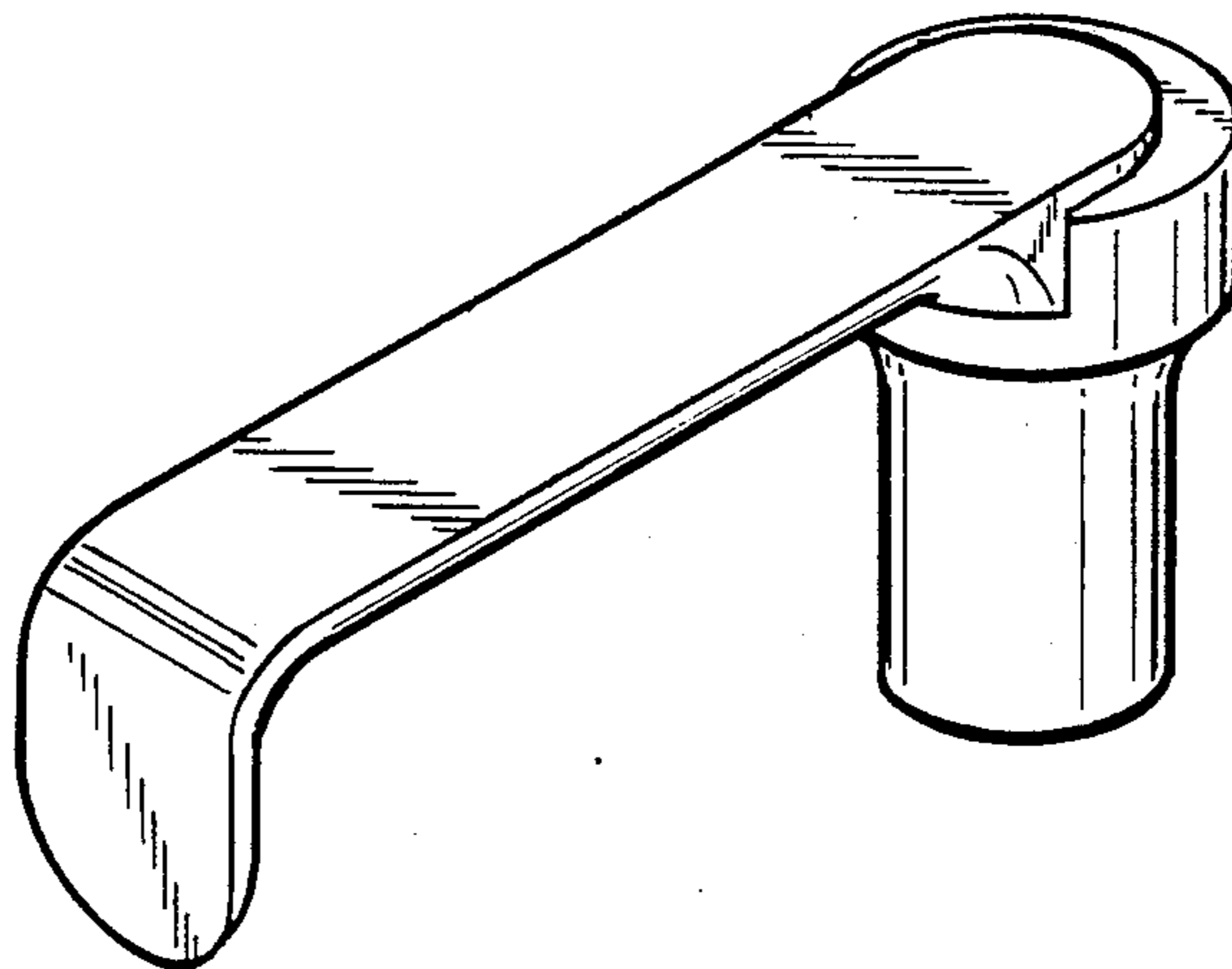
Primary Examiner—B. J. Bullock  
Attorney, Agent, or Firm—H. Michael Brucker

[57] CLAIM

The ornamental design for a door handle, as shown and described.

DESCRIPTION

FIG. 1 is a perspective view of the door handle showing my new design;  
FIG. 2 is a front elevational view thereof;  
FIG. 3 is a bottom plan view thereof; the top being a mirror image;  
FIG. 4 is a right end elevational view thereof;  
FIG. 5 is a rear elevational view thereof;  
FIG. 6 is a left end elevational view thereof.



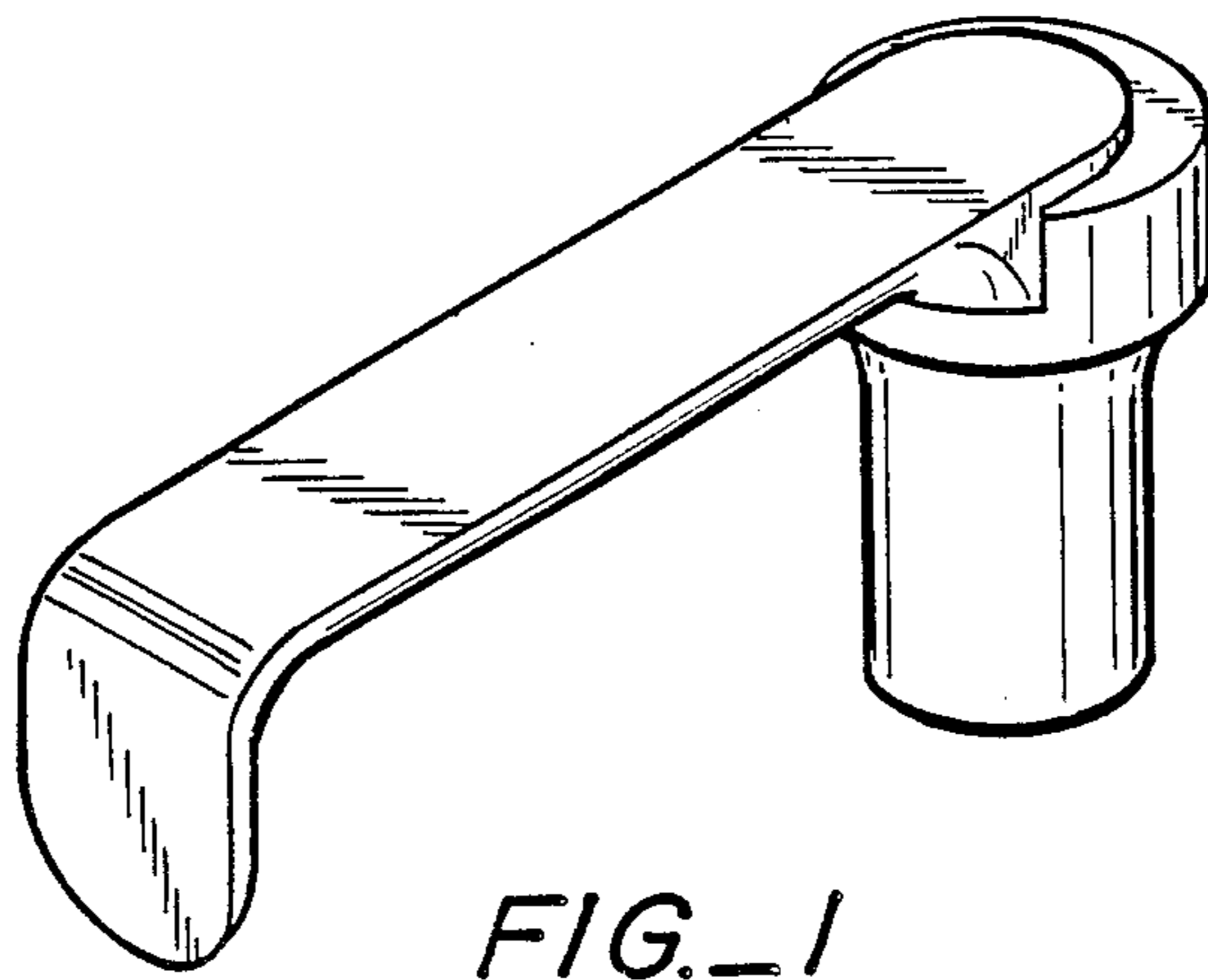


FIG.\_1

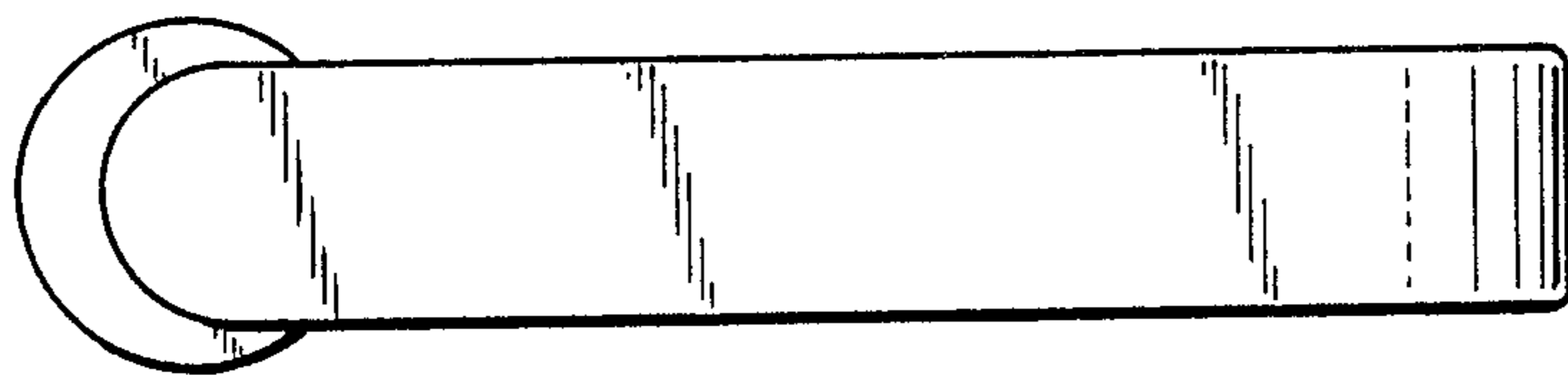


FIG.\_2

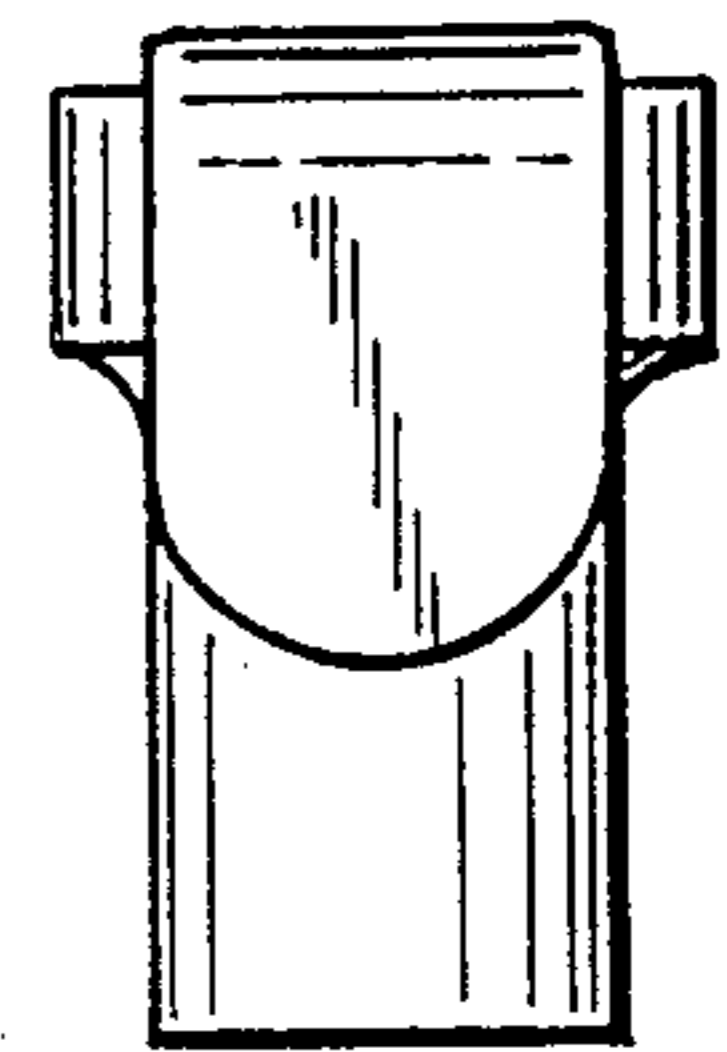


FIG.\_4

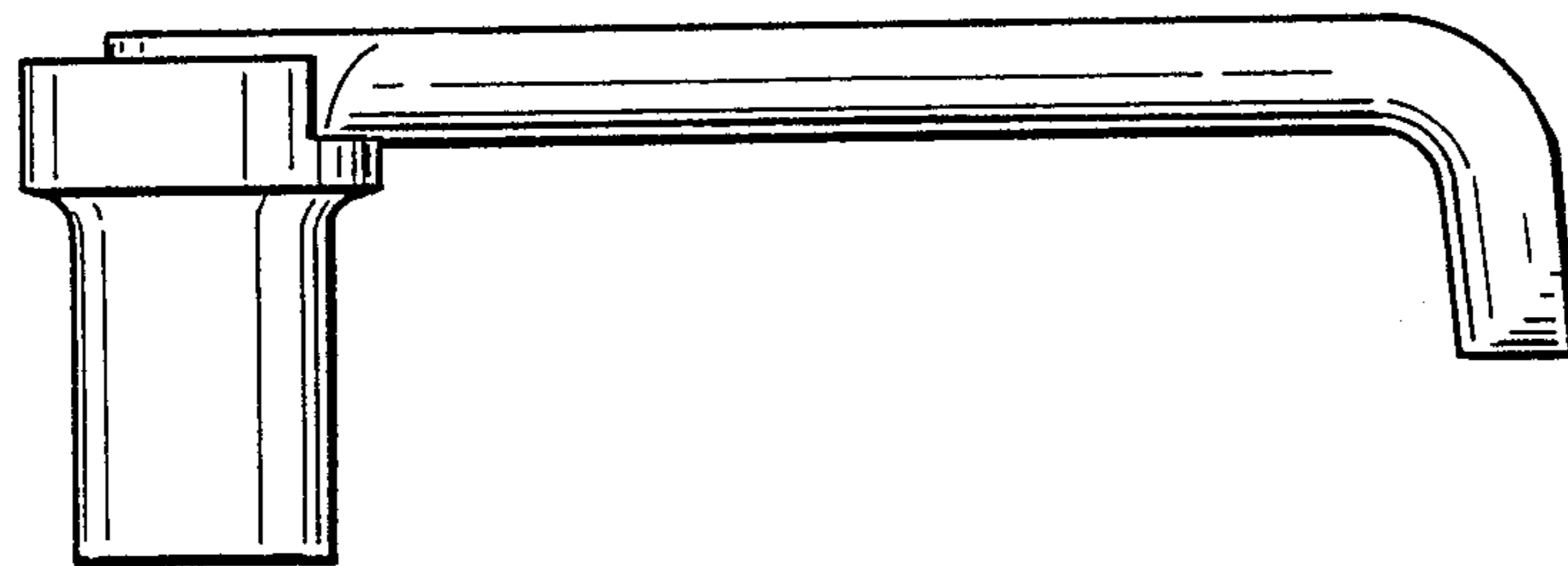


FIG.\_3

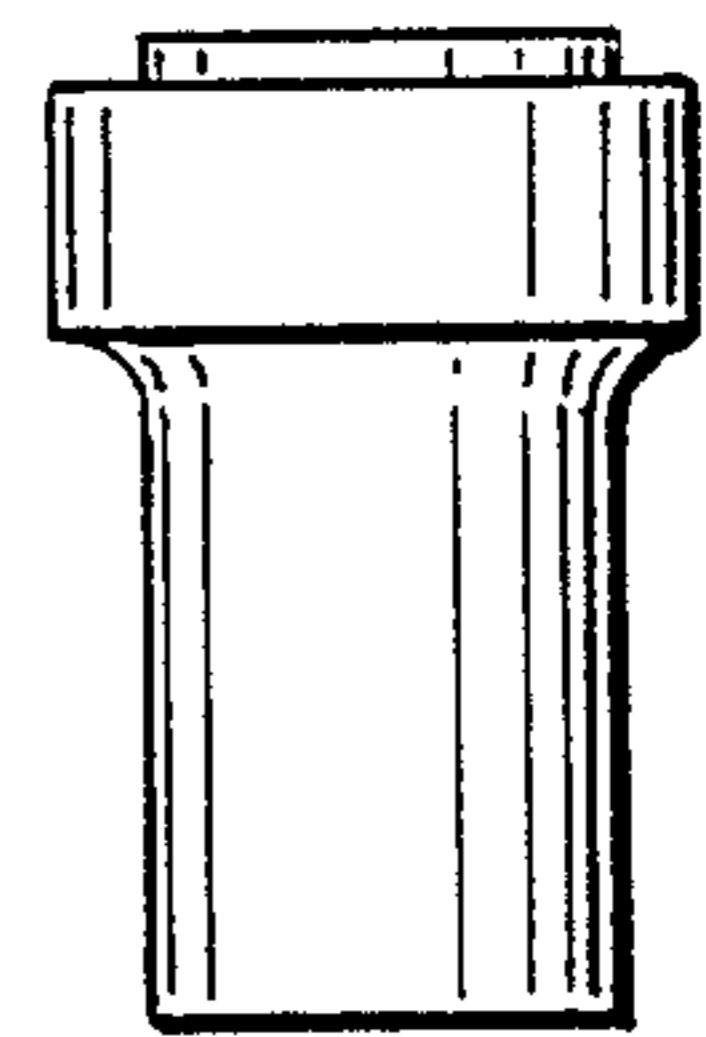


FIG.\_6

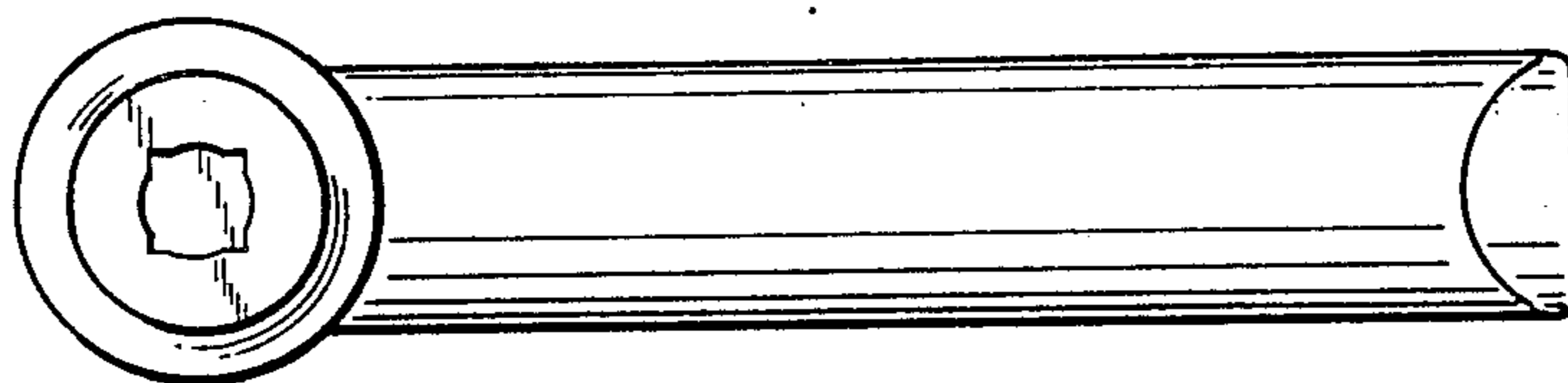


FIG.\_5