

[54] DOOR HANDLE

[75] Inventor: Franz W. Jans, Rodermark, Fed. Rep. of Germany

[73] Assignee: Jado Bathroom and Hardware Manufacturing Corp., Camarillo, Calif.

[\*\*] Term: 14 Years

[21] Appl. No.: 189,605

[22] Filed: May 2, 1988

[52] U.S. Cl. .... D8/308

[58] Field of Search ..... D8/300-302, D8/307, 308; 16/110 R, 111 R, 121, 124, 125

[56] References Cited

U.S. PATENT DOCUMENTS

- D. 297,758 9/1958 Paul ..... D8/308
- D. 298,411 11/1988 Castiglioni ..... D8/301

OTHER PUBLICATIONS

The Ironmonger Cat., ©1980; p. 62; Monte Carlo Lever.

Paul Associates Cat; rec'd 11/18/85; p. 51; lever 1095.

Primary Examiner—B. J. Bullock

Attorney, Agent, or Firm—H. Michael Brucker

[57] CLAIM

The ornamental design for a door handle, as shown and described.

DESCRIPTION

FIG. 1 is a perspective view of the door handle showing my new design;

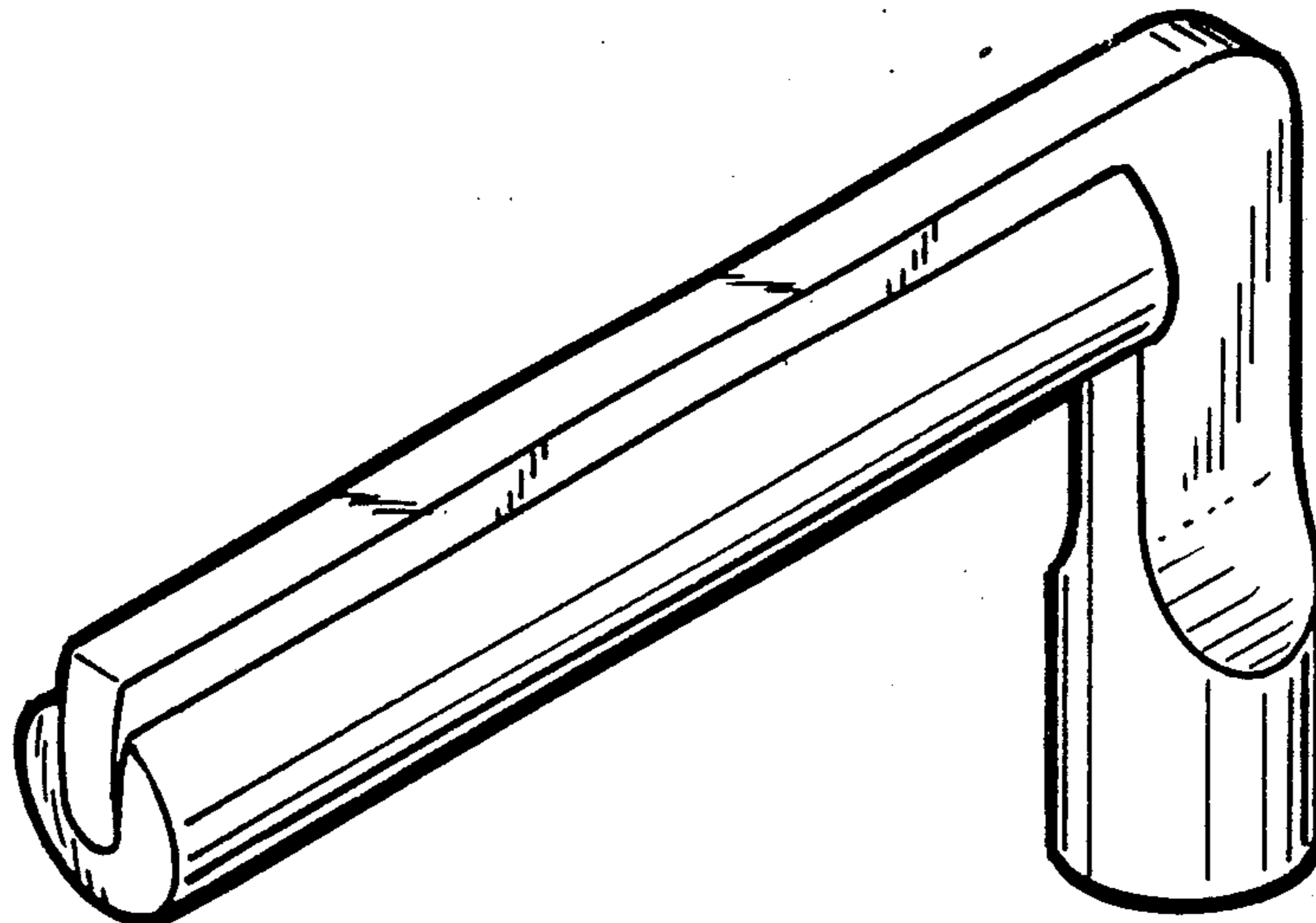
FIG. 2 is a front view thereof;

FIG. 3 is a bottom view thereof, the top being a mirror image;

FIG. 4 is a right end view thereof;

FIG. 5 is a rear view thereof;

FIG. 6 is a left end view thereof.



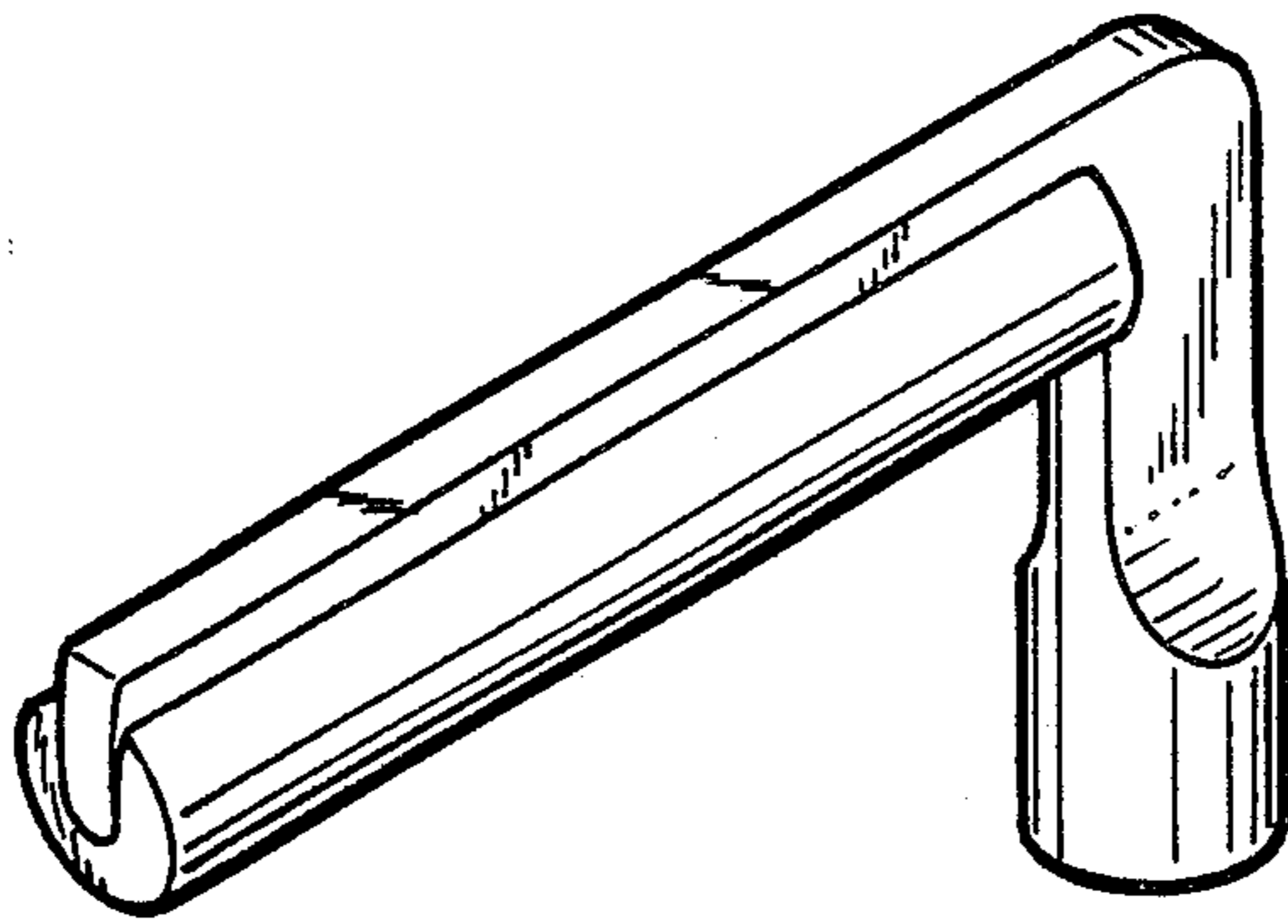


FIG. 1.

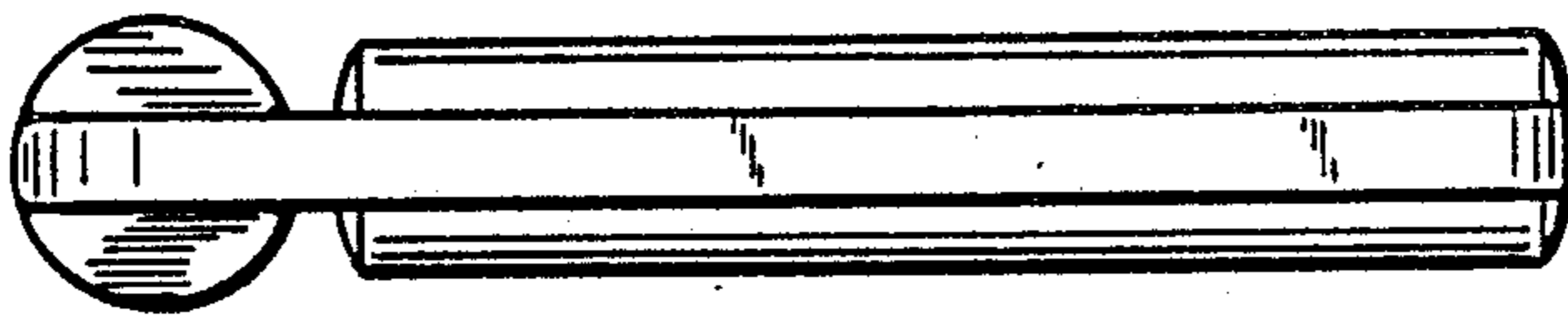


FIG. 2.

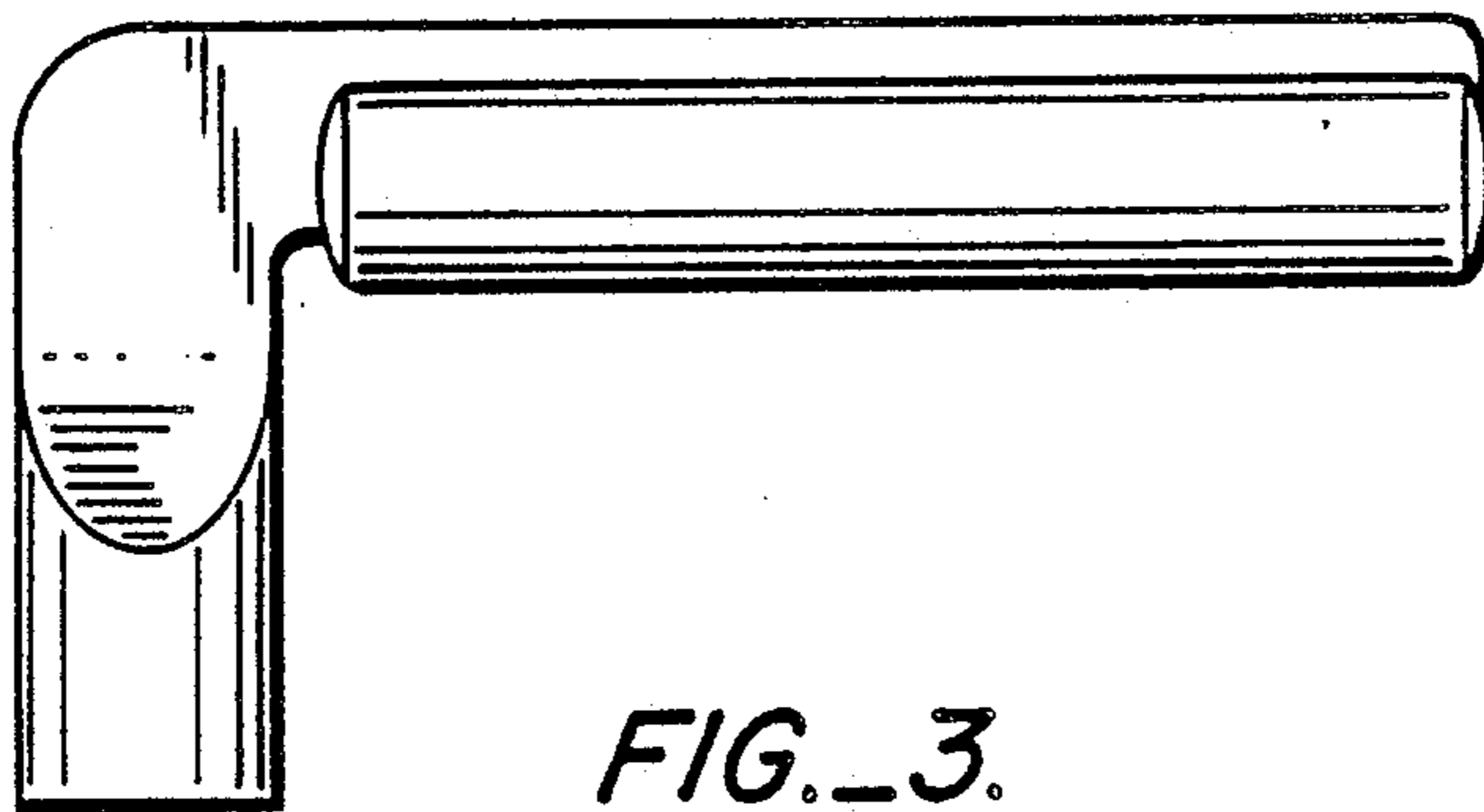


FIG. 3.



FIG. 4.

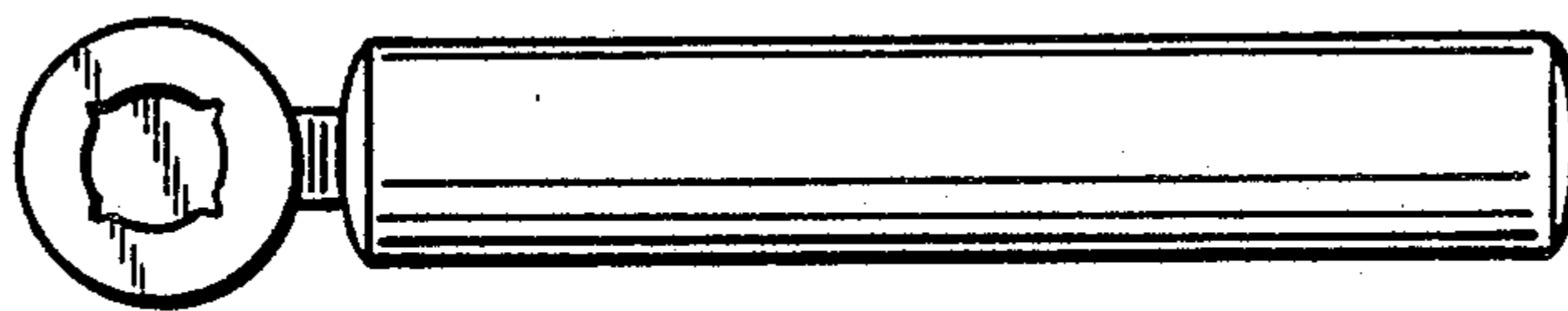


FIG. 5.

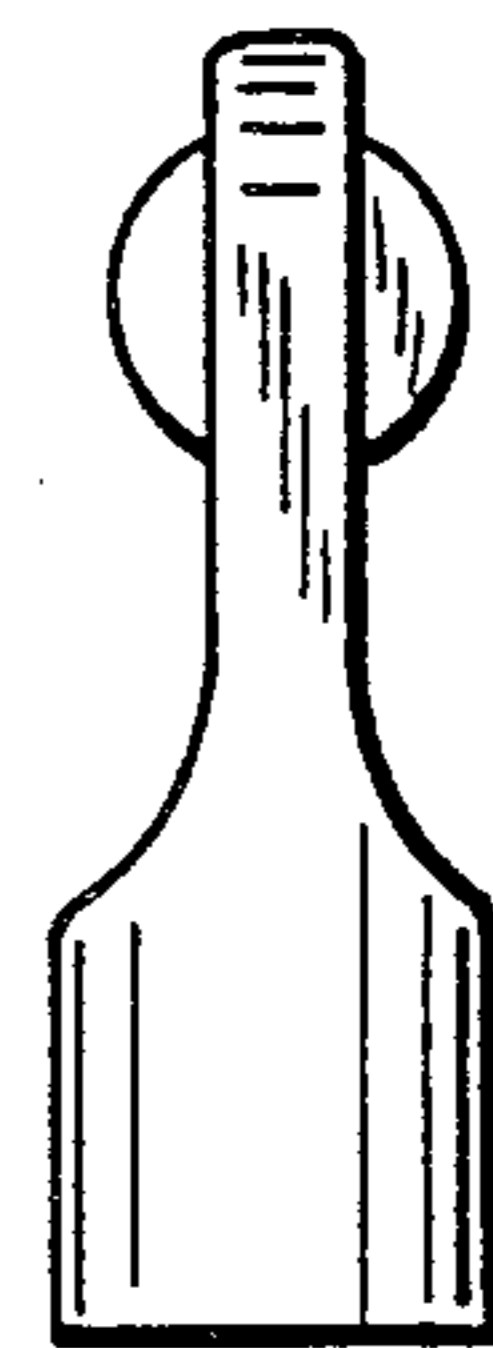


FIG. 6.