

[54] HEAD FOR A POLE-TYPE SANDER

[76] Inventor: Melvin L. Ovens, 15855-84th Avenue, Surrey, British Columbia V3S 2N8, Canada

[**] Term: 14 Years

[21] Appl. No.: 65,722

[22] Filed: Jun. 24, 1987

[52] U.S. Cl. D8/90

[58] Field of Search D8/14, 90-93, D8/107; D32/51; 15/144 A, 231; 29/80, 81 H, 81 J, 81 L; 51/370-372, 384, 391-393, 211 R, 212, 170 R

[56] References Cited

U.S. PATENT DOCUMENTS

D. 96,630	8/1935	Smith	D8/90
2,201,645	5/1940	Epner	51/384
2,954,649	10/1960	Carroll et al.	51/393
2,967,320	1/1961	Short	15/144 A

4,062,152	12/1977	Mehrer	51/170 R
4,516,360	5/1985	Gringer et al.	51/384
4,759,155	7/1988	Shaw	51/392

OTHER PUBLICATIONS

Hardware Age, 2-1989, p. 107, Allway Tools' Sanders.

Primary Examiner—Nelson C. Holtje

Assistant Examiner—Clare E. Heflin

[57] CLAIM

The ornamental design for a head for a pole-type sander, as shown and described.

DESCRIPTION

FIG. 1 is a left side elevational view of a head for a pole-type sander showing my new design; FIG. 2 is a top plan view thereof; FIG. 3 is a right side elevational view thereof; FIG. 4 is a front elevational view thereof; FIG. 5 is a rear elevational view thereof; FIG. 6 is a bottom plan view thereof; FIG. 7 is a top perspective view thereof.

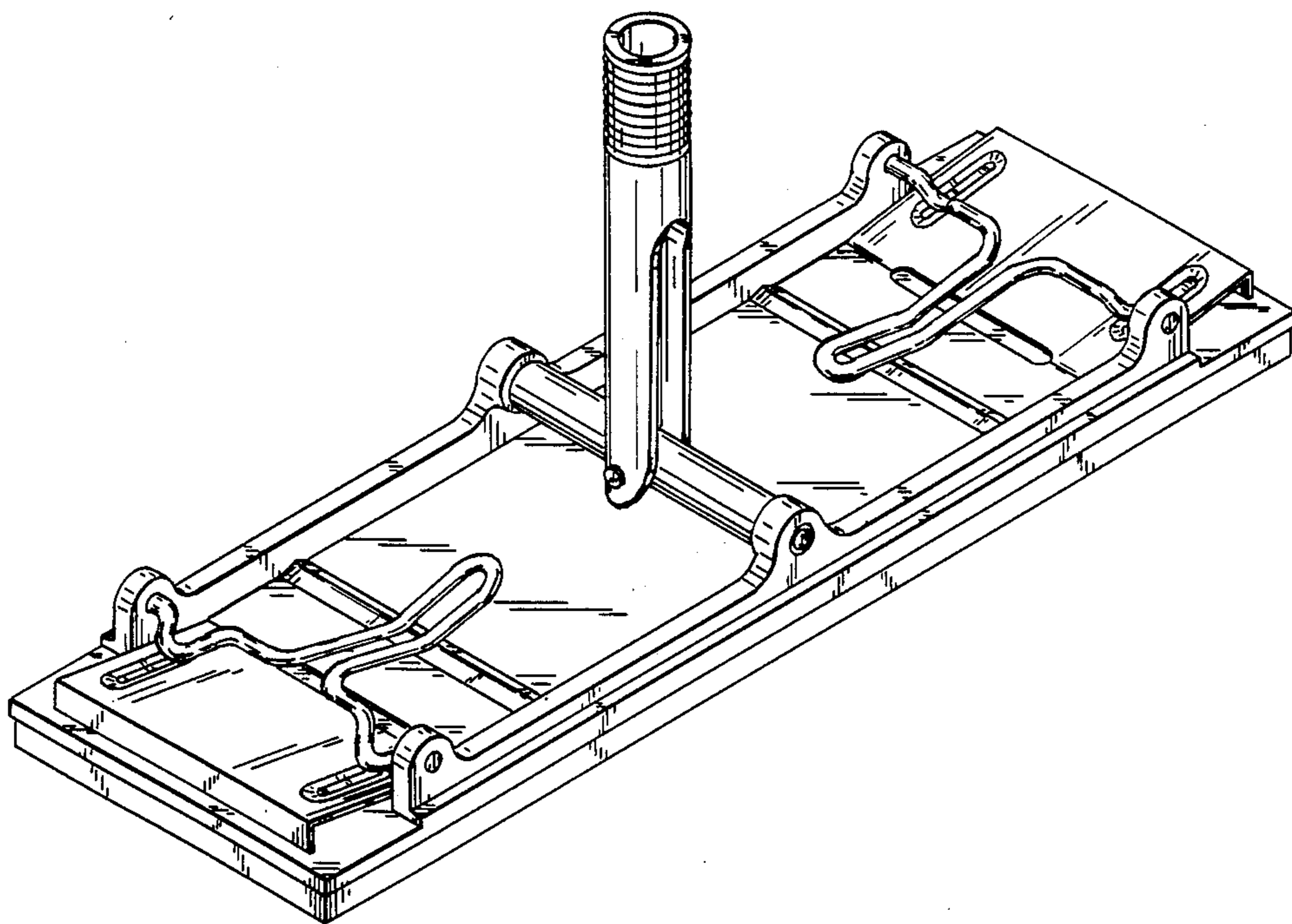


Fig. 1.

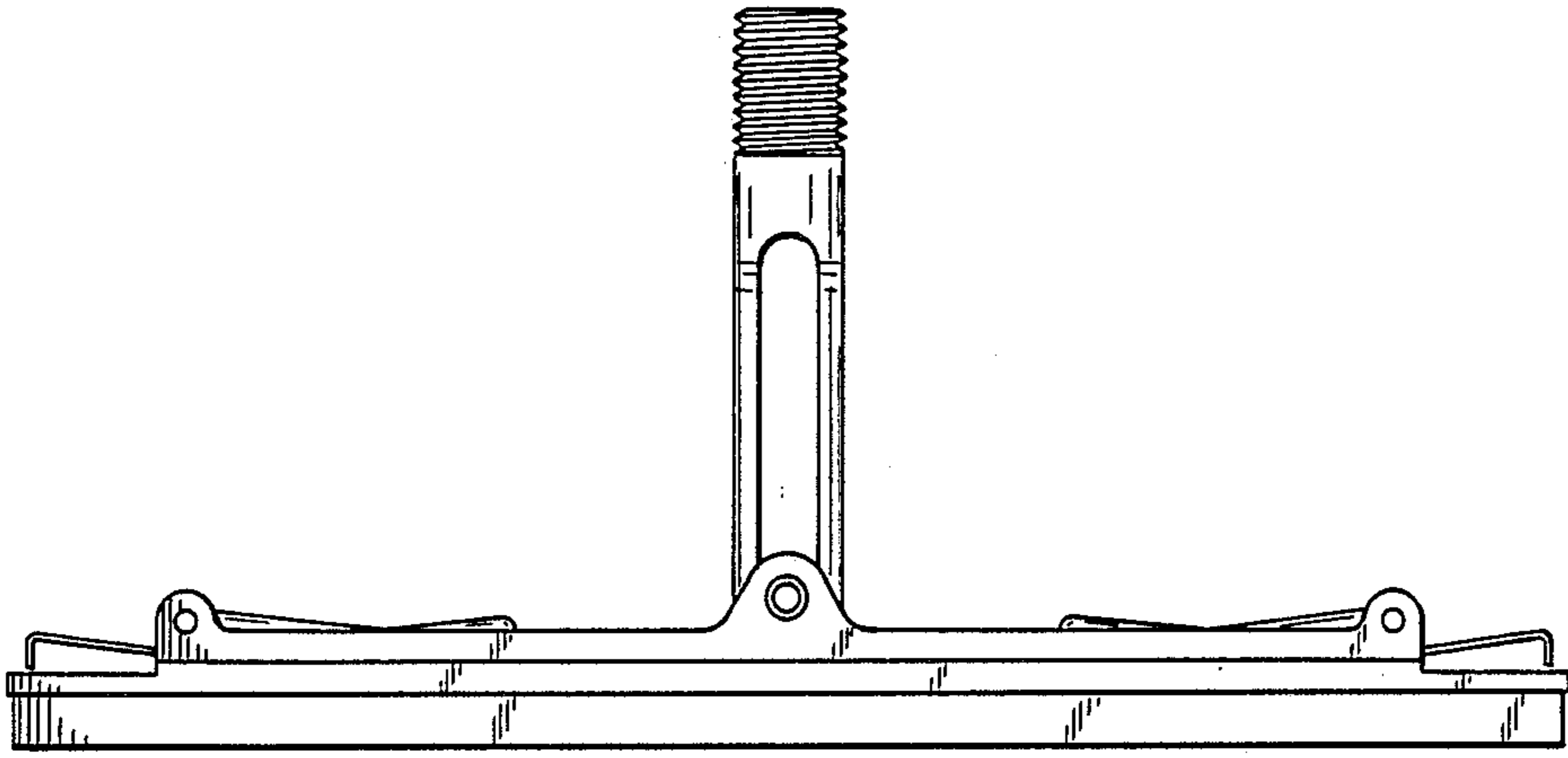


Fig. 2.

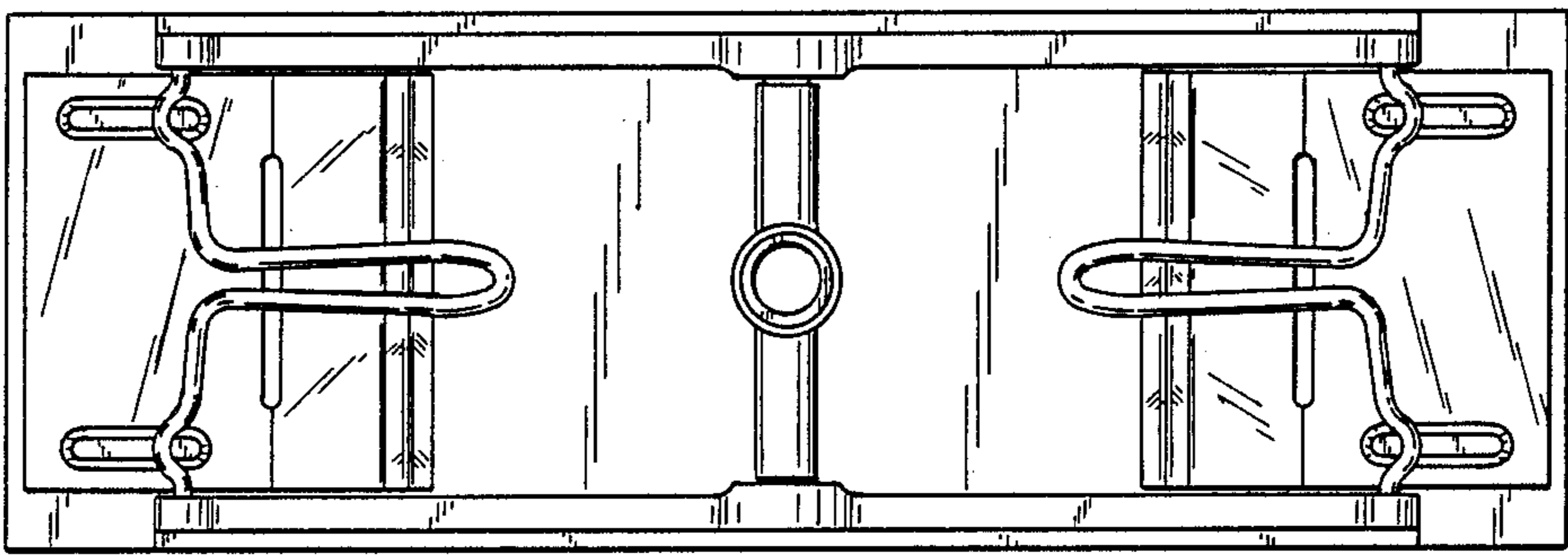


Fig. 3.

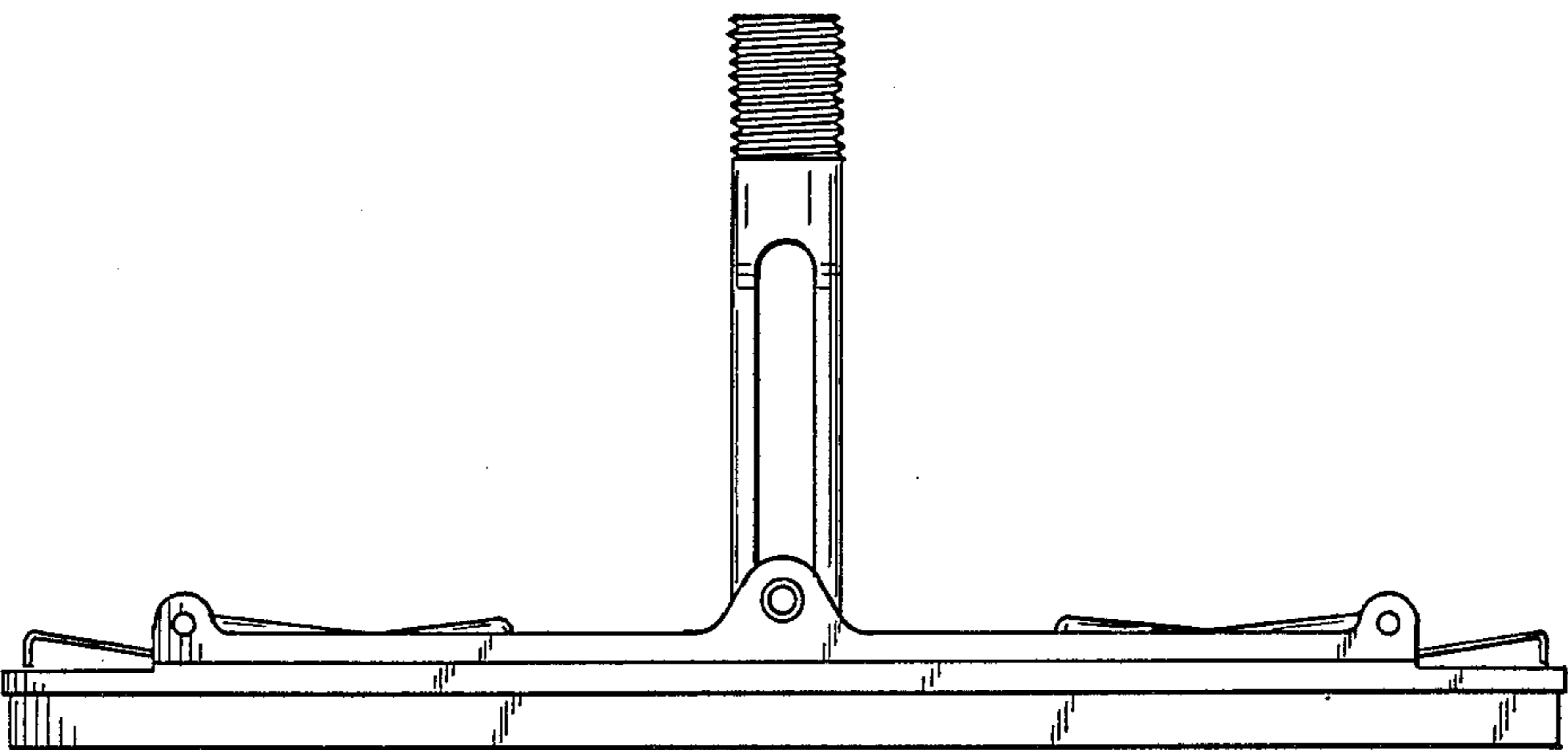


Fig. 4.

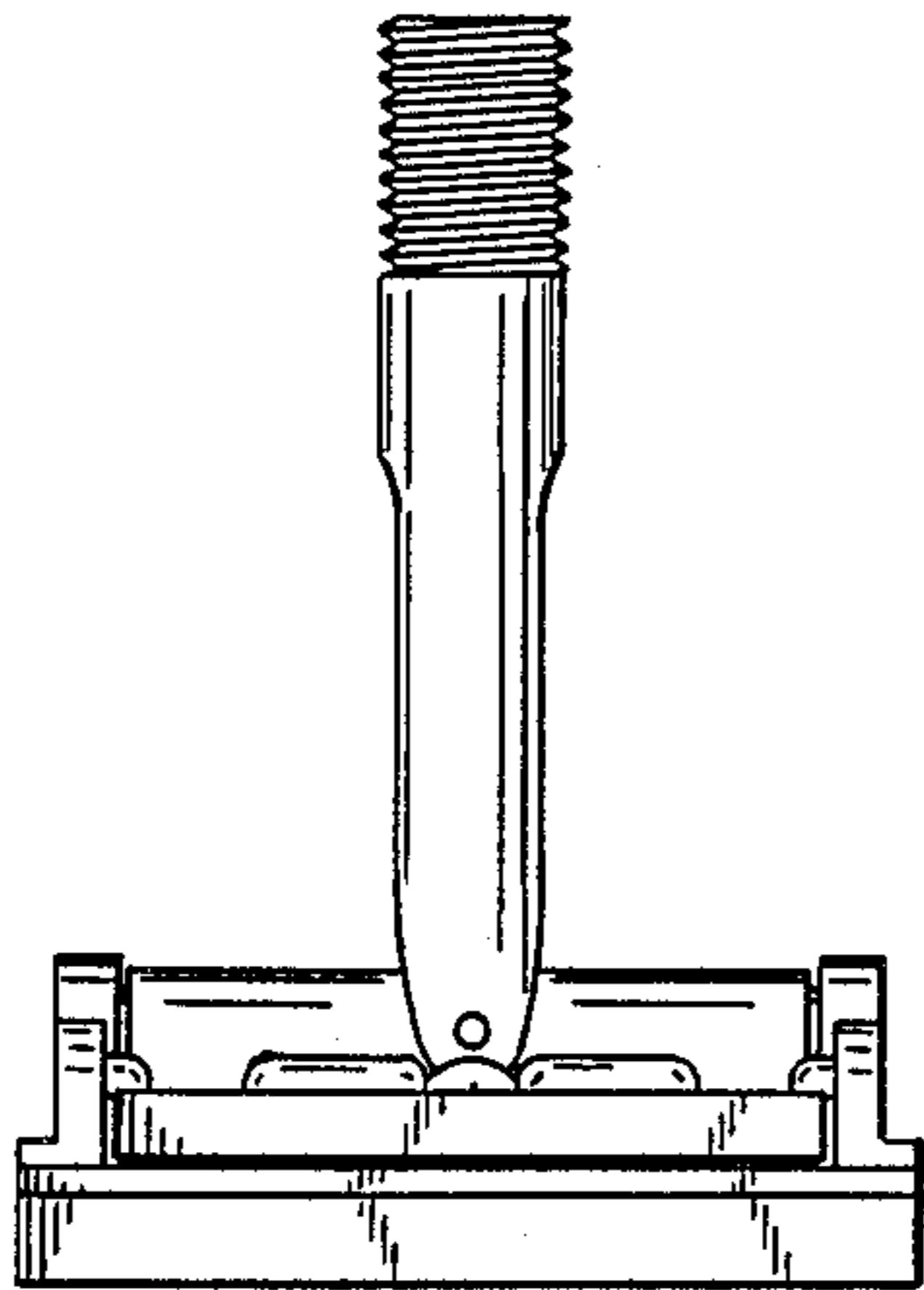


Fig. 5.

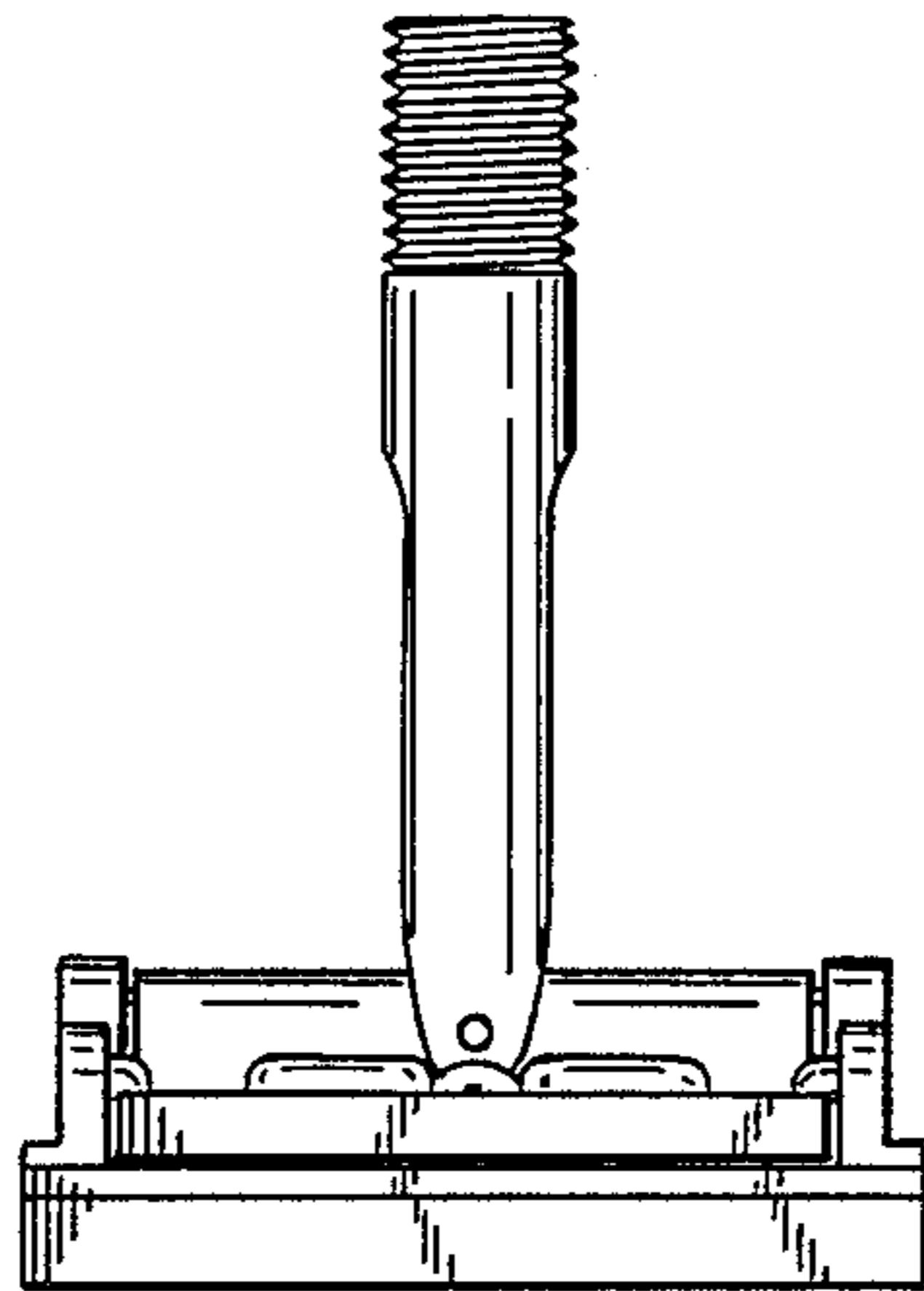
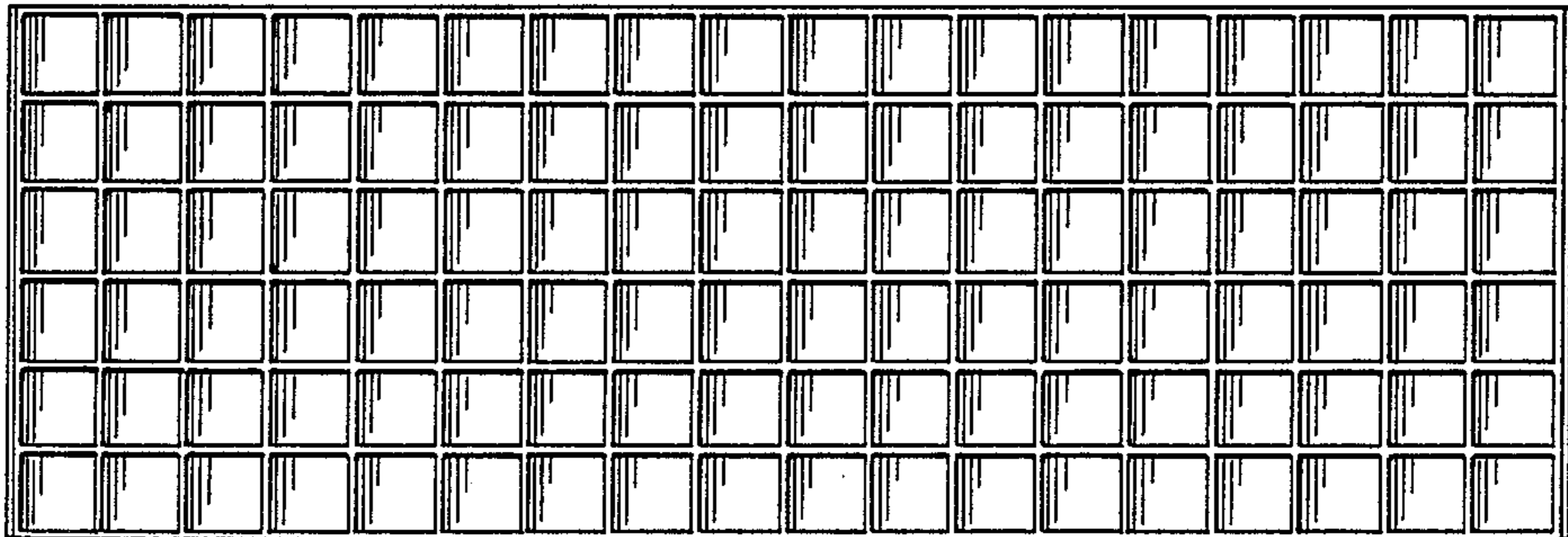


Fig. 6.



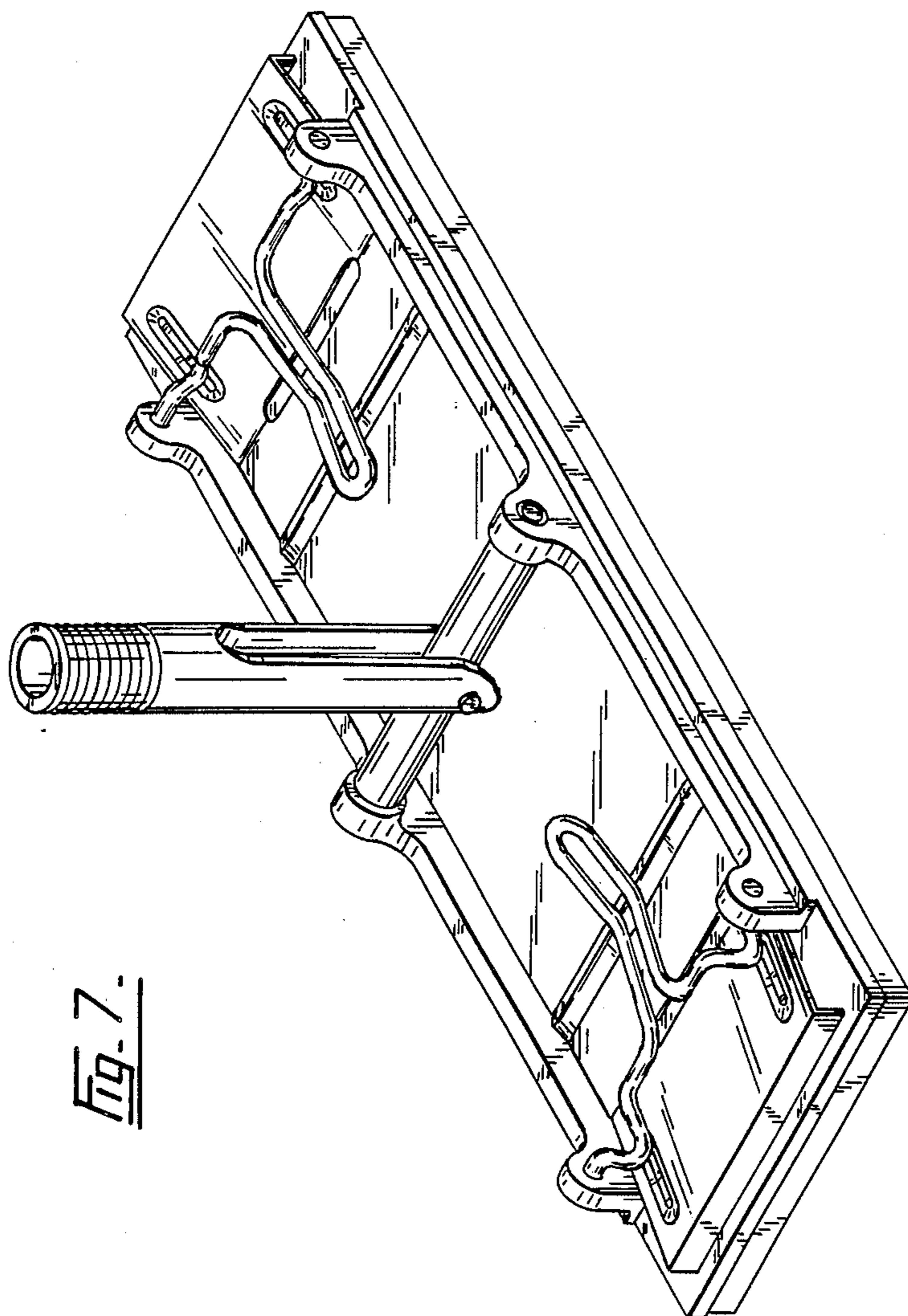


Fig. 7.