

[54] DENT PULLER

[76] Inventor: Kousei Ishihara, 55-7 Takashimadaira 1-chome, Itabashi-ku, Tokyo, Japan

[\*\*] Term: 14 Years

[21] Appl. No.: 114,133

[22] Filed: Oct. 26, 1987

[30] Foreign Application Priority Data

May 6, 1987 [JP] Japan ..... 62-17425

[52] U.S. Cl. .... D8/51

[58] Field of Search ..... D8/14, 51, 88, 89; 72/705, 389, 390; 254/30

[56] References Cited

U.S. PATENT DOCUMENTS

|           |         |               |        |
|-----------|---------|---------------|--------|
| 1,909,696 | 5/1933  | List          | 254/30 |
| 2,661,063 | 12/1953 | Owens         | 254/30 |
| 2,863,489 | 12/1958 | Priest        | 72/390 |
| 4,026,139 | 5/1977  | Glaser et al. | 72/705 |

|           |        |             |        |
|-----------|--------|-------------|--------|
| 4,116,035 | 9/1978 | Malarsky    | 72/389 |
| 4,466,268 | 8/1984 | Matson, Sr. | 72/389 |

Primary Examiner—Bruce W. Dunkins  
Assistant Examiner—Clare E. Heflin  
Attorney, Agent, or Firm—Steinberg & Raskin

[57] CLAIM

The ornamental design for a dent puller, as shown and described.

DESCRIPTION

FIG. 1 is a perspective view of a dent puller showing my new design;  
FIG. 2 is a front elevational view thereof;  
FIG. 3 is a rear elevational view thereof;  
FIG. 4 is a top plan view thereof;  
FIG. 5 is a bottom plan view thereof;  
FIG. 6 is a right side elevational view thereof;  
FIG. 7 is a left side elevational view thereof;  
FIG. 8 is a perspective view thereof showing the base in an alternate position.

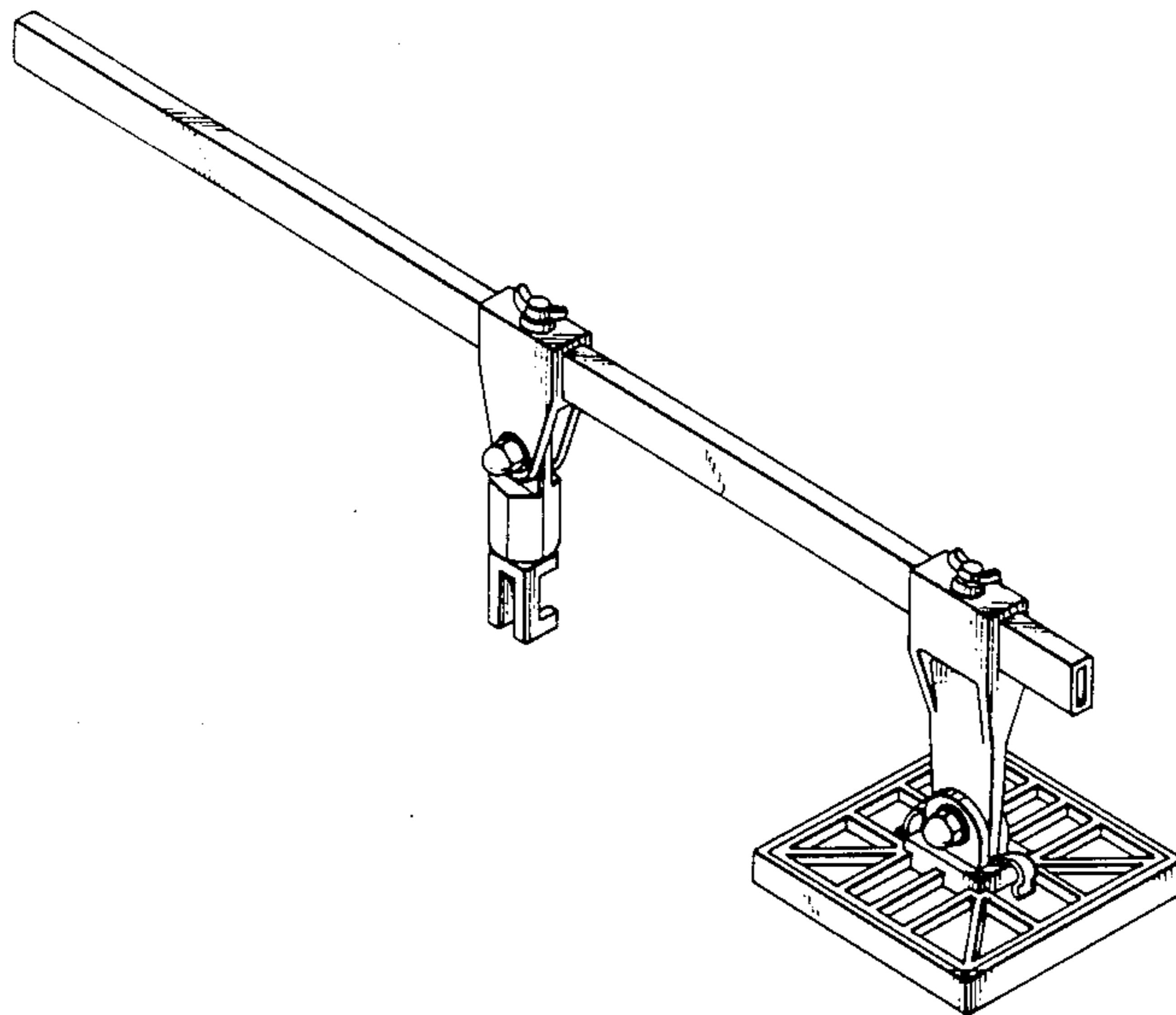
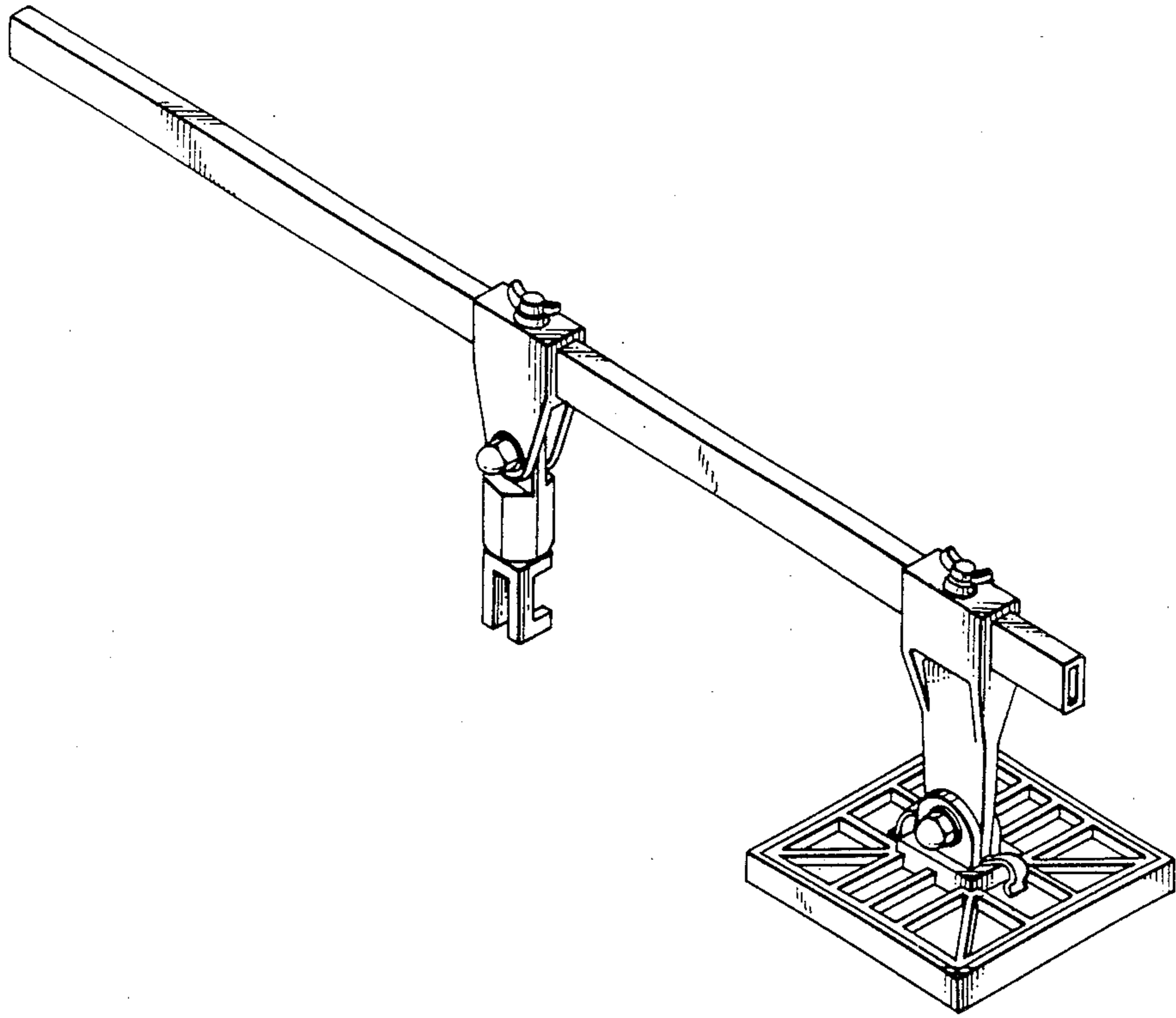


FIG. 1



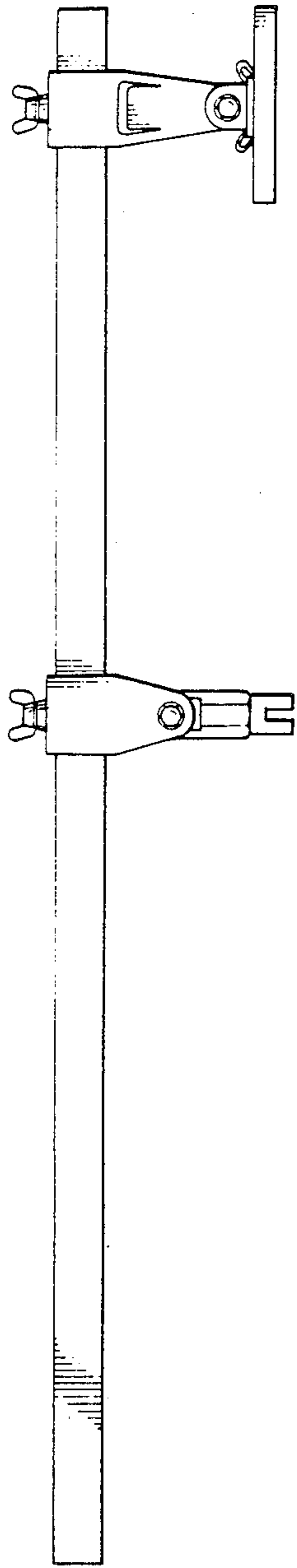


FIG. 2

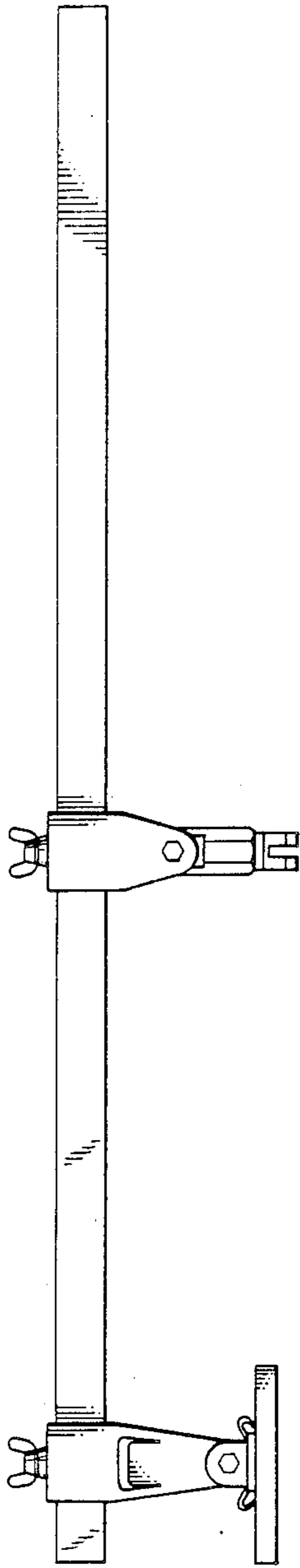


FIG. 3

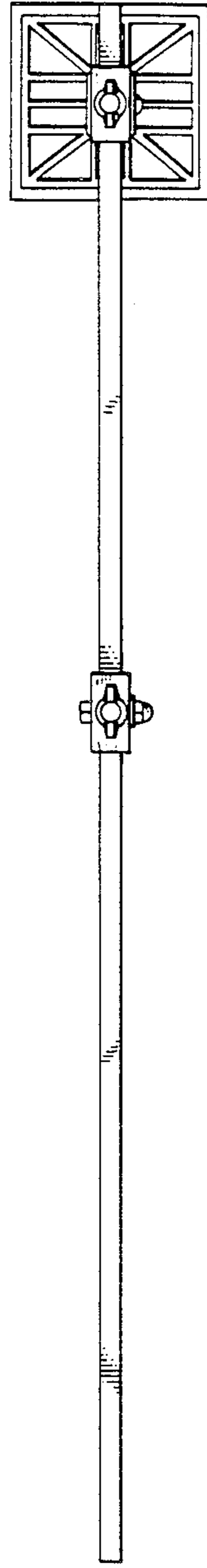


FIG. 4

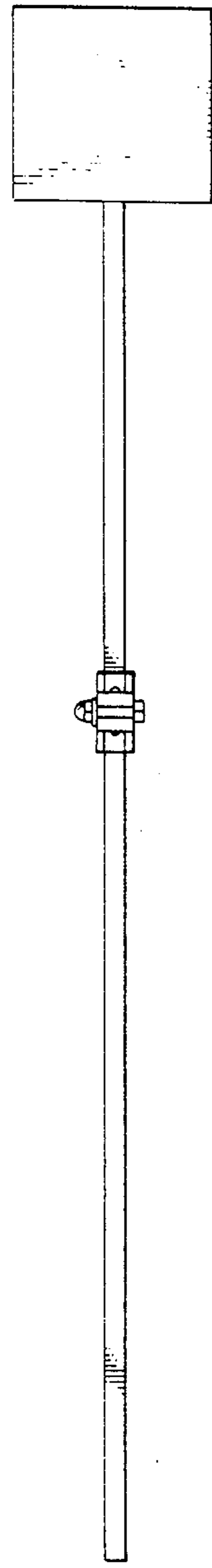


FIG. 5

FIG. 6

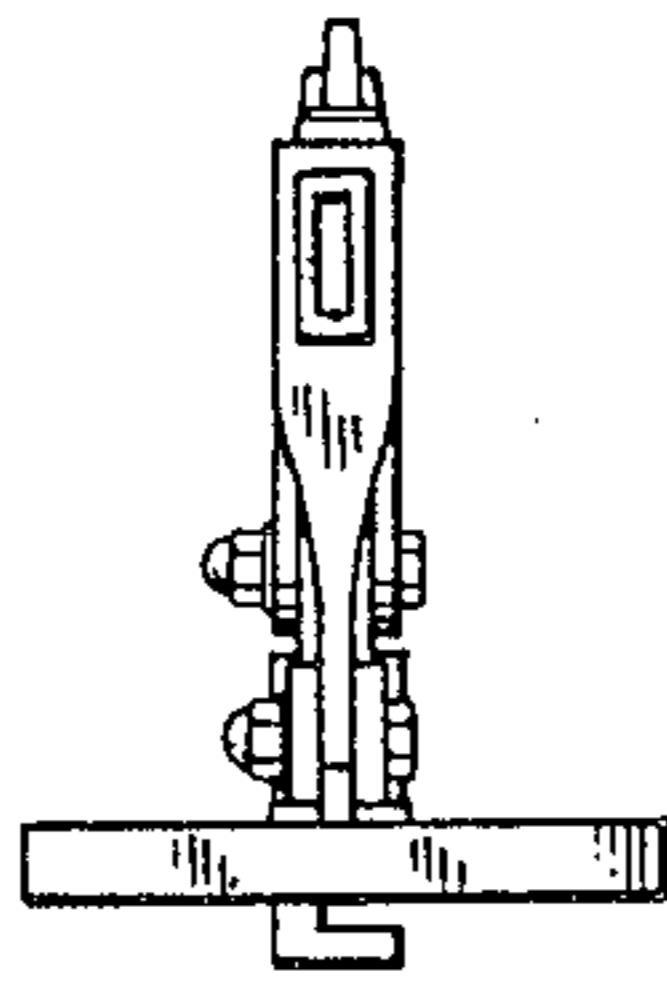


FIG. 7

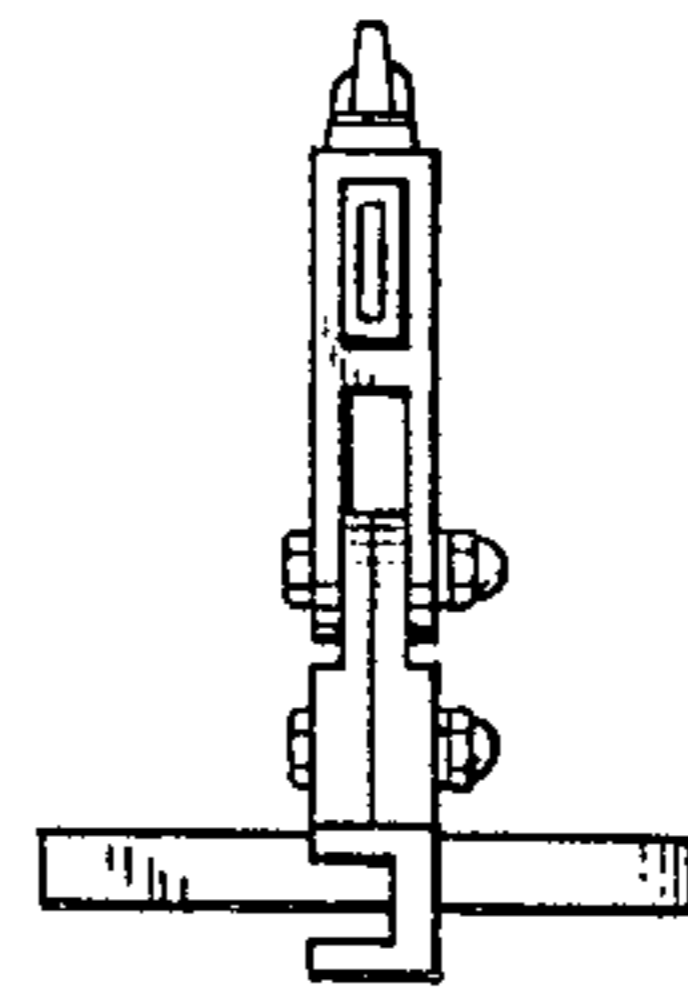


FIG. 8

