

[54] DENT PULLER

[76] Inventor: Kousei Ishihara, 55-7 Takashimadaira 1-chome, Itabashi-ku, Tokyo, Japan

[\*\*] Term: 14 Years

[21] Appl. No.: 114,131

[22] Filed: Oct. 26, 1987

[30] Foreign Application Priority Data

May 6, 1987 [JP] Japan ..... 62-17423

[52] U.S. Cl. .... D8/51

[58] Field of Search ..... D8/14, 51, 88, 89; 72/705, 389, 390; 254/30

[56] References Cited

U.S. PATENT DOCUMENTS

1,909,696	5/1933	List	254/30
2,661,063	12/1953	Owens	254/30
2,863,489	12/1958	Priest	72/390

4,116,035	9/1978	Malarsky	72/389
4,466,268	8/1984	Matson, Sr.	72/389

Primary Examiner—Bruce W. Dunkins  
Assistant Examiner—Clare E. Heflin  
Attorney, Agent, or Firm—Steinberg & Raskin

[57] CLAIM

The ornamental design for a dent puller, as shown and described.

DESCRIPTION

FIG. 1 is a perspective view of a dent puller showing my new design;  
FIG. 2 is a front elevational view thereof;  
FIG. 3 is a rear elevational view thereof,  
FIG. 4 is a top plan view thereof;  
FIG. 5 is a bottom plan view thereof;  
FIG. 6 is a right side elevational view thereof, the side opposite being substantially a mirror image;  
FIG. 7 is a perspective view thereof showing the base and handles in an alternate position.

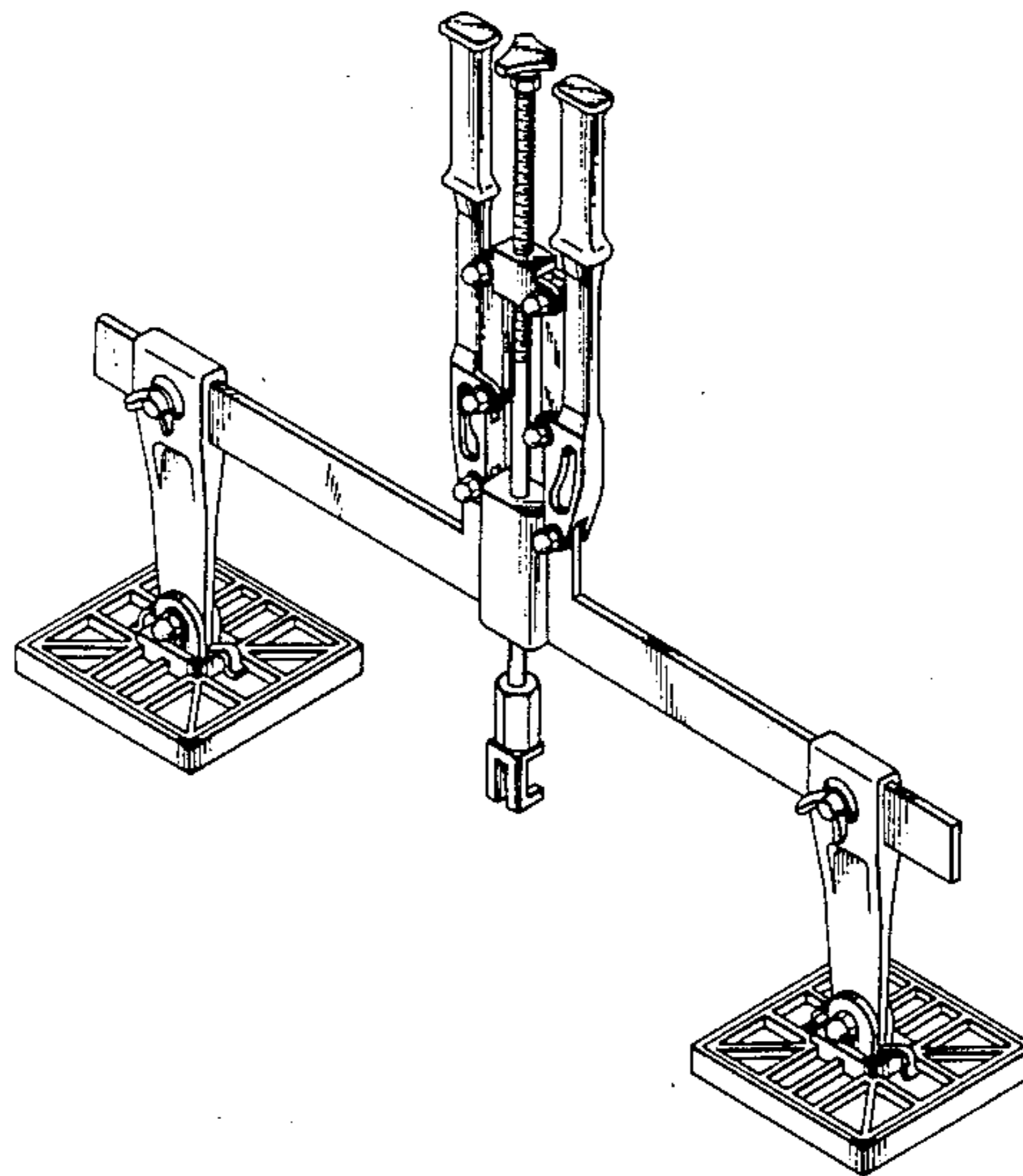


FIG. 1

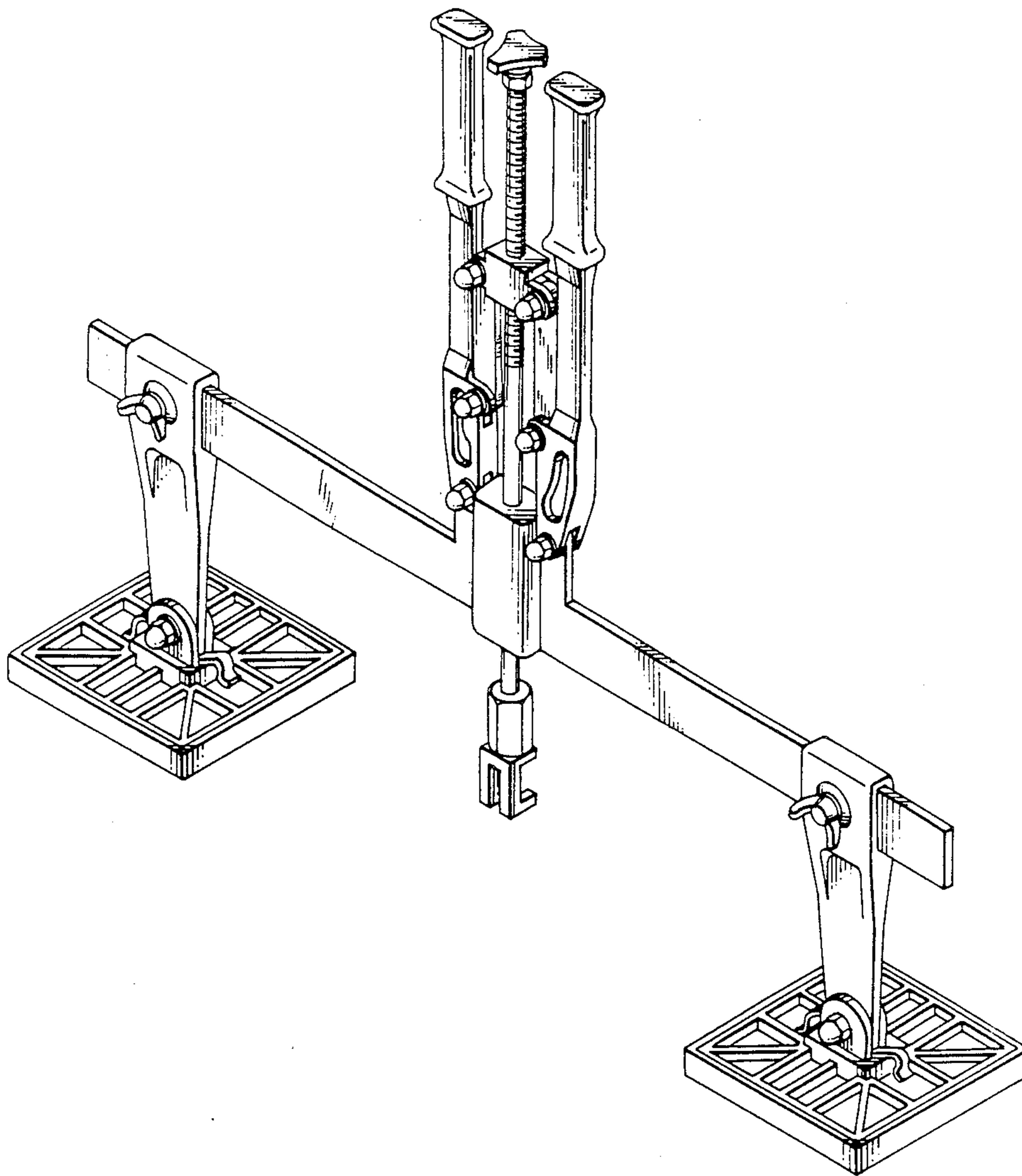


FIG. 2

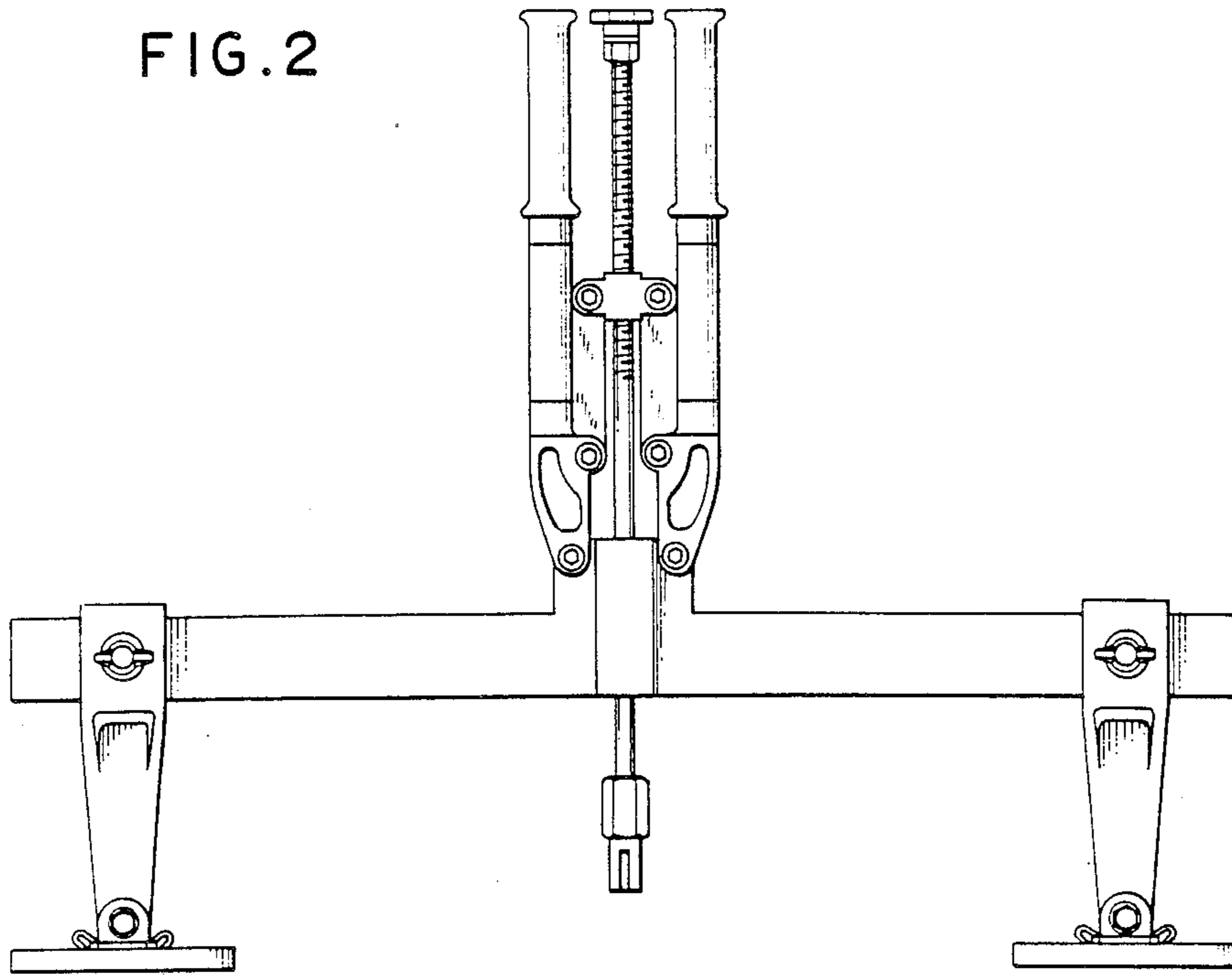


FIG. 3

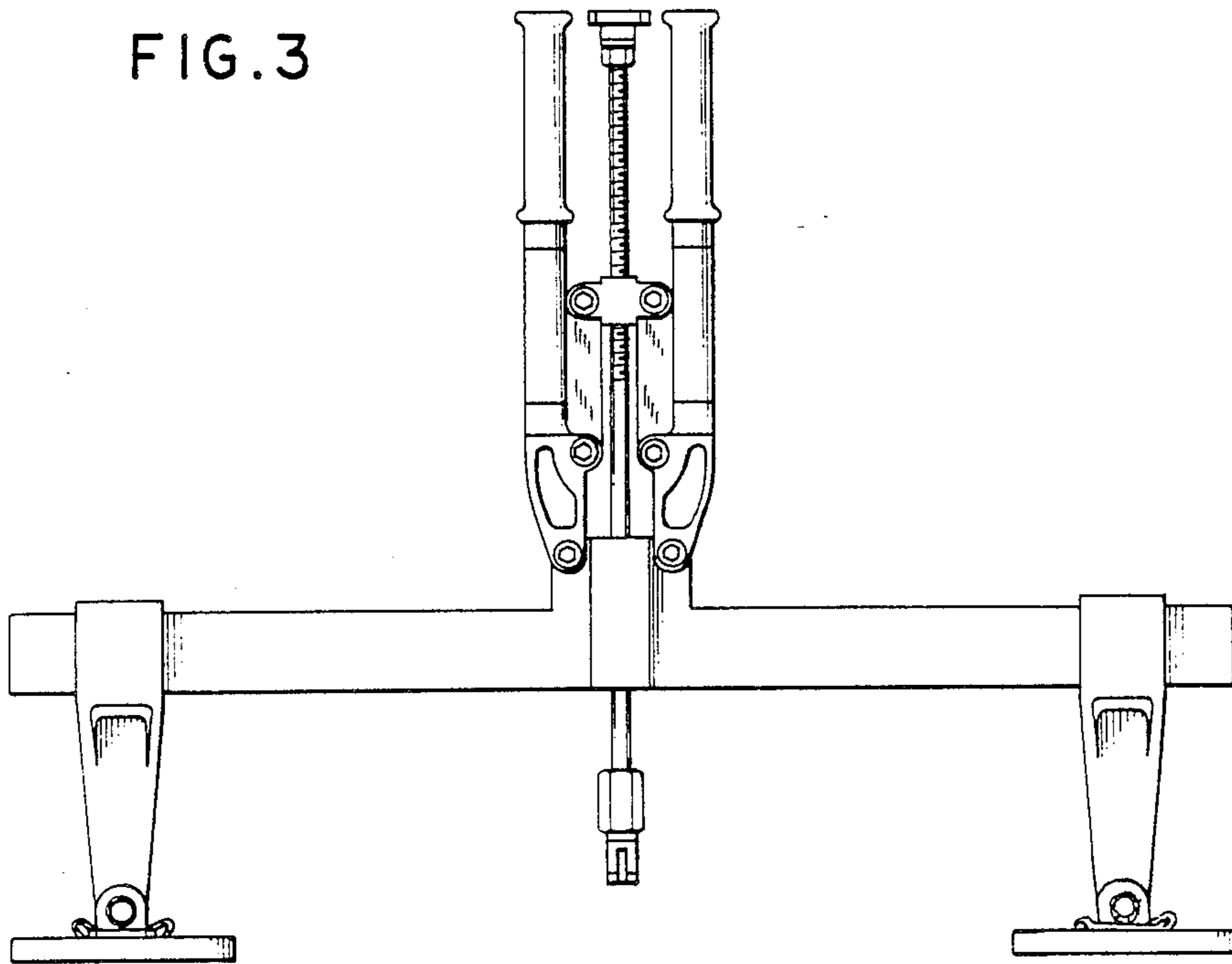


FIG. 6

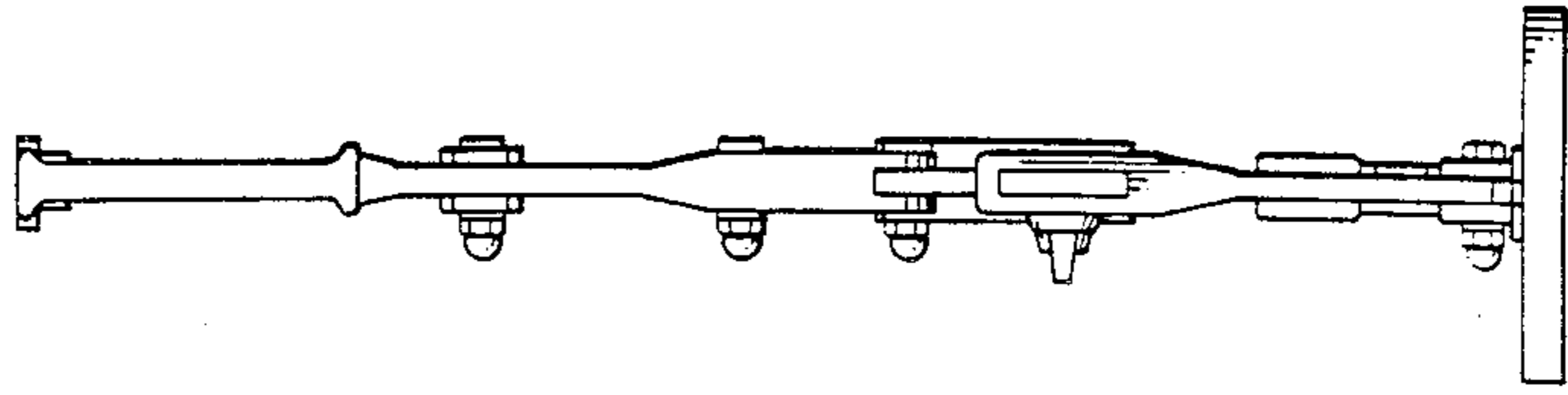


FIG. 4

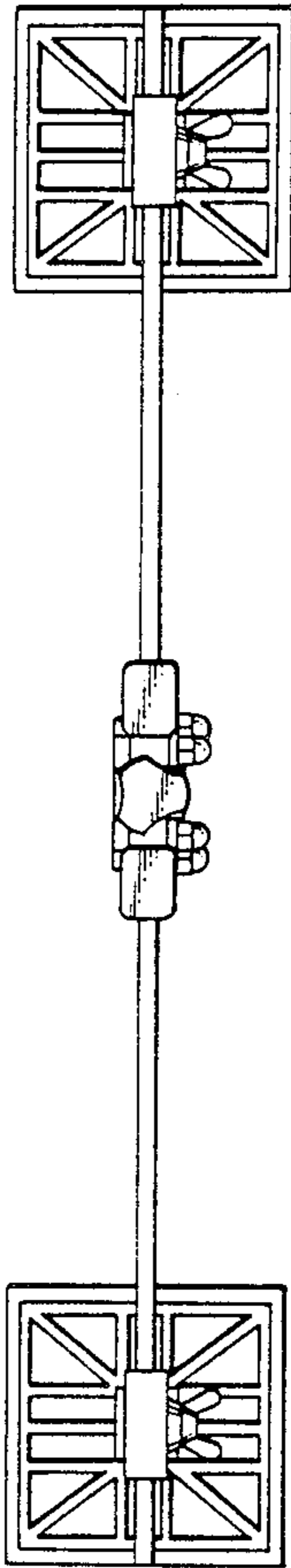


FIG. 5

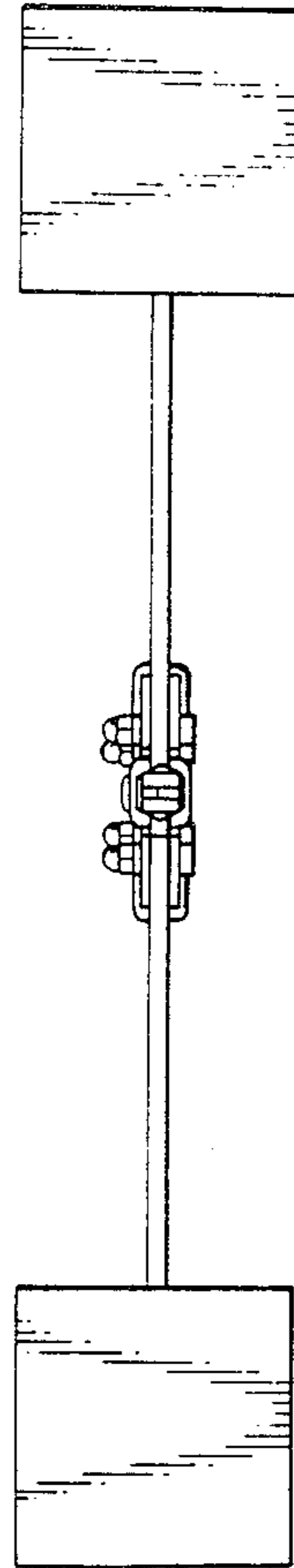


FIG. 7

